



# WLAN LNA + Switch

## BGS8458

### Archived

このページには、製造中止（生産終了）となった製品の情報が記載されています。本ページに記載されている仕様および情報は、過去の参考情報です。

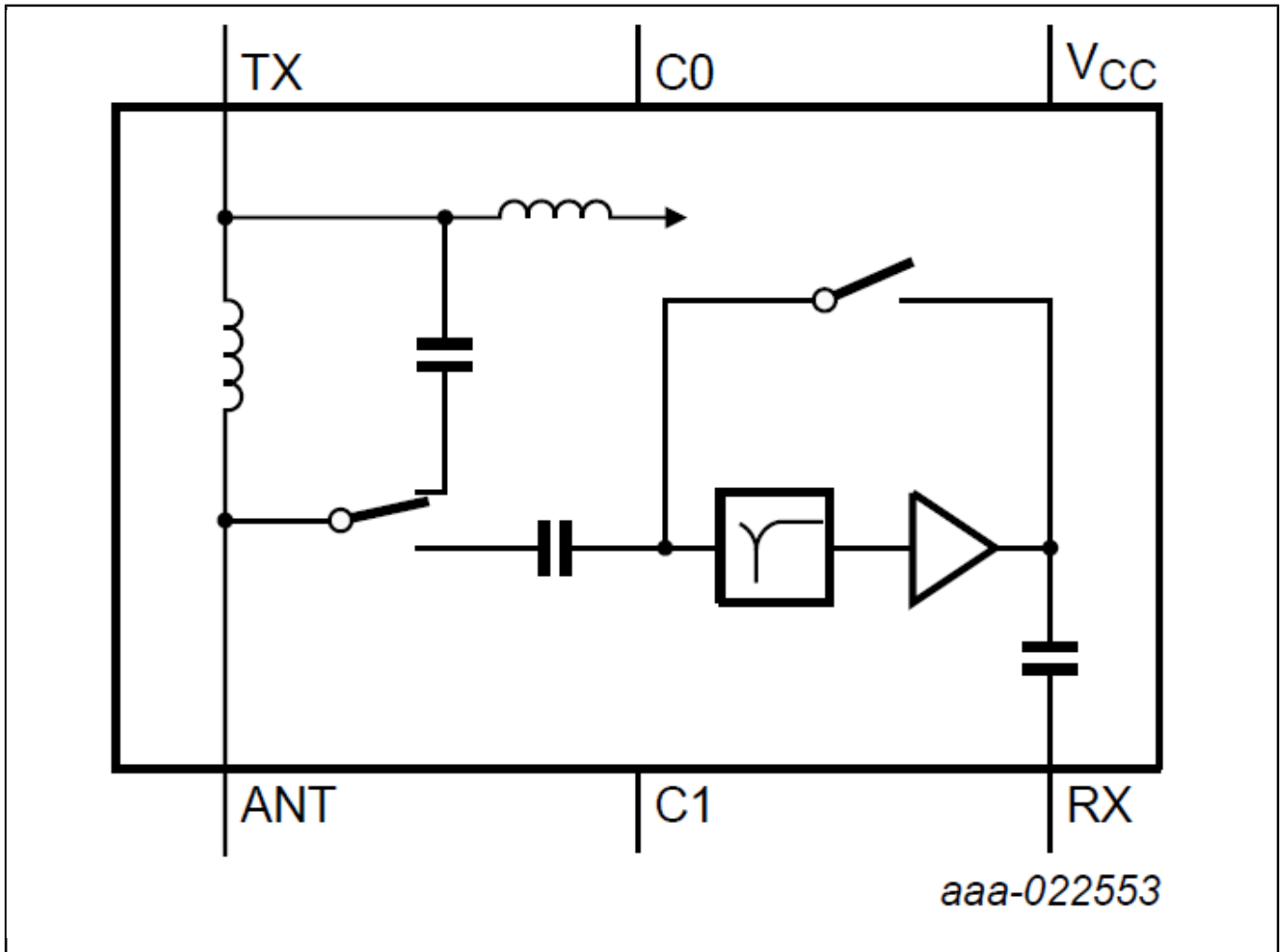
Last Updated: Aug 23, 2024

The BGS8458, also known as the WLAN3101C, is a fully integrated MMIC Low-Noise Amplifier and SP2T switch for transmit path. For WLAN applications in the 4.9 GHz to 5.925 GHz ISM band. Manufactured using high performance QUBiC eighth generation SiGe:C technology of NXP®.

The BGS8458 couples good noise figure, linearity, efficiency, low insertion loss CMOS switches with the process-stability, and -ruggedness, that are the hallmarks of SiGe:C technology.

The BGS8458 has a 1.2 mm × 1.4 mm footprint HX2SON6 package and a maximum thickness of 330 μm.

## BGS8458 Functional diagram Block Diagram



View additional information for [WLAN LNA + Switch](#).

**Note:** The information on this document is subject to change without notice.

[www.nxp.com](http://www.nxp.com)

NXP and the NXP logo are trademarks of NXP B.V. All other product or service names are the property of their respective owners. The related technology may be protected by any or all of patents, copyrights, designs and trade secrets. All rights reserved. © 2024 NXP B.V.