



Multiplexer / Demultiplexer Switch for Thunderbolt Applications

CBTL05023BS

Archived

このページには、製造中止（生産終了）となった製品の情報が記載されています。本ページに記載されている仕様および情報は、過去の参考情報です。

Last Updated: Sep 5, 2024

The CBTL05023 is a multiplexer/demultiplexer switch chip for DisplayPort v1.2 signals and the control signals of a 10 Gbit/s channel. The 10 Gbit/s channel does not pass through this switch. This chip provides BIASOUT output control signal, and the DC-biasing pull-down resistors to facilitate an external 10 Gbit/s channel.

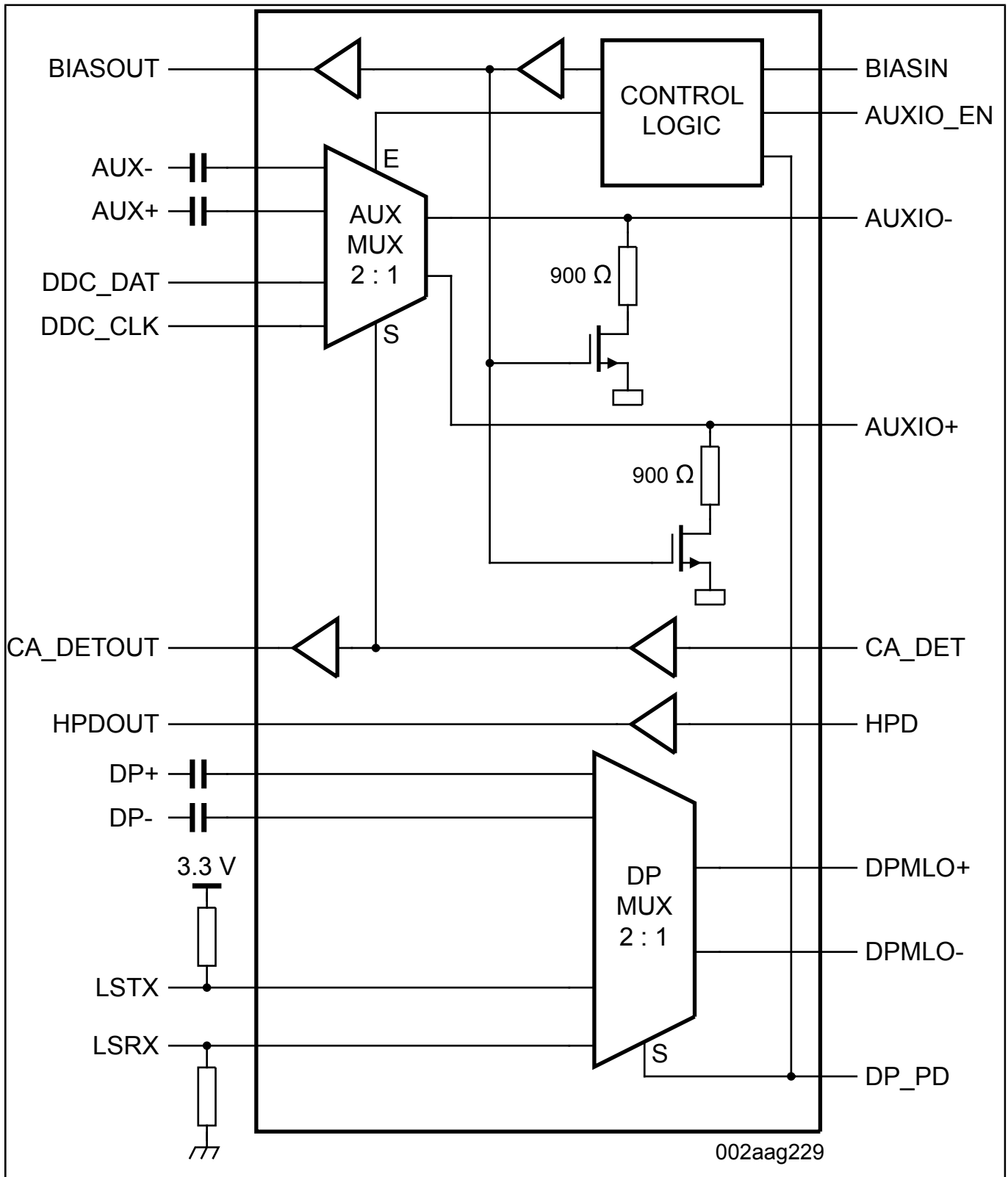
The AUX MUX is a 2 : 1 switch with CA_DETECT pin selecting between AUX and DDC (Direct Display Control) signals.

The DP MUX is a 2 : 1 switch that selects between DPML (DisplayPort Main Link) and LSTX/LSRX signals.

This chip also includes three control signal buffers: HPDOUT, CA_DETOUT and BIASOUT.

CBTL05023 is powered by a 3.3 V supply and it is available in 3 mm x 3 mm HVQFN24 package with 0.4 mm pitch.

CBTL05023 Block Diagram Block Diagram



Note: The information on this document is subject to change without notice.

www.nxp.com

NXP and the NXP logo are trademarks of NXP B.V. All other product or service names are the property of their respective owners. The related technology may be protected by any or all of patents, copyrights, designs and trade secrets. All rights reserved. © 2024 NXP B.V.