



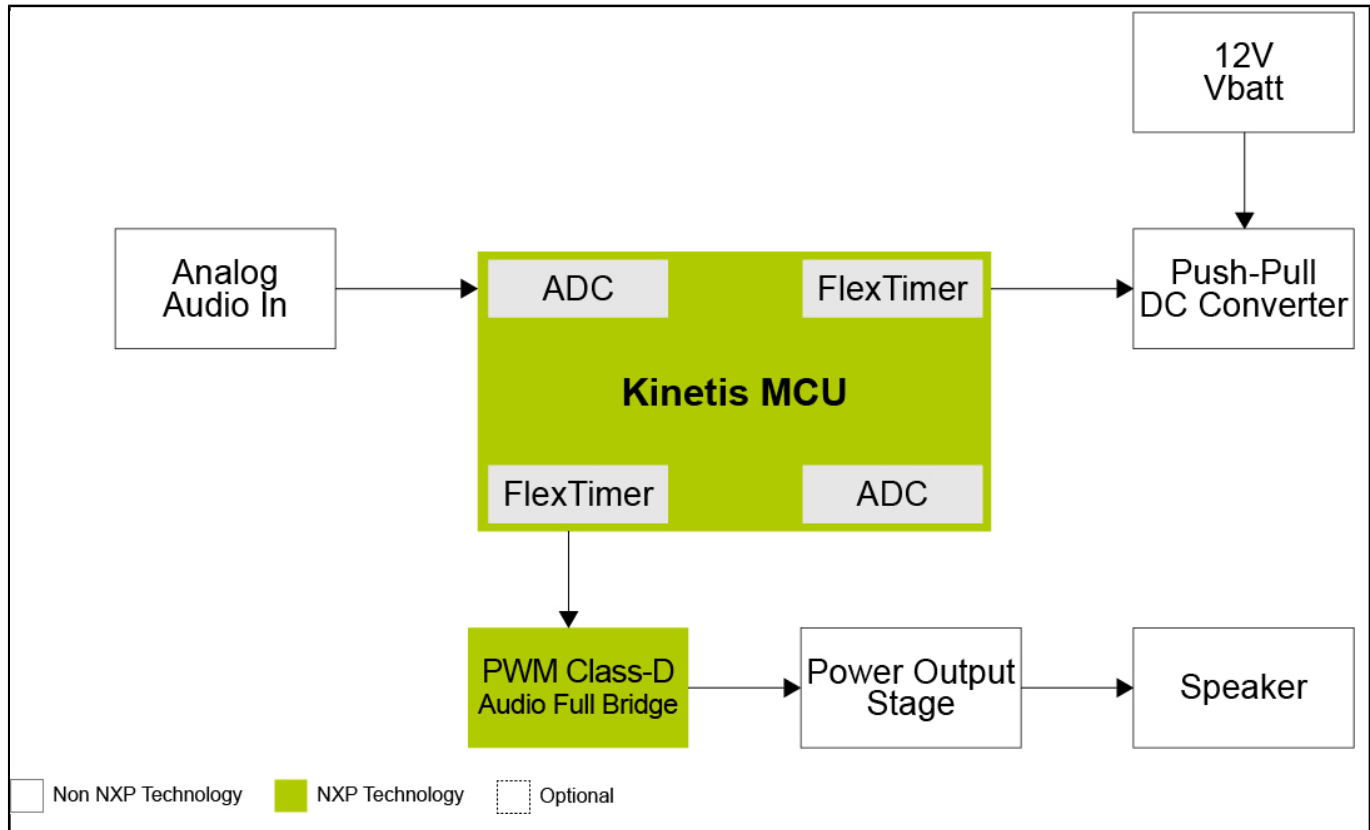
# **Class D Audio Amplifier Reference Design**

## **CLASS-D-AUDIO-AMPLIFIER**

Last Updated: May 1, 2023

The 1000 W class-D audio amplifier reference design provides an example for an audio amplifier along with a push-pull power converter. It operates using the KV1x Tower® series platform or k64 Freedom board.

## ClassD Audio Amplifier Block Diagram



View additional information for [Class D Audio Amplifier Reference Design](#).

**Note:** The information on this document is subject to change without notice.

[www.nxp.com](http://www.nxp.com)

NXP and the NXP logo are trademarks of NXP B.V. All other product or service names are the property of their respective owners. The related technology may be protected by any or all of patents, copyrights, designs and trade secrets. All rights reserved. © 2024 NXP B.V.