



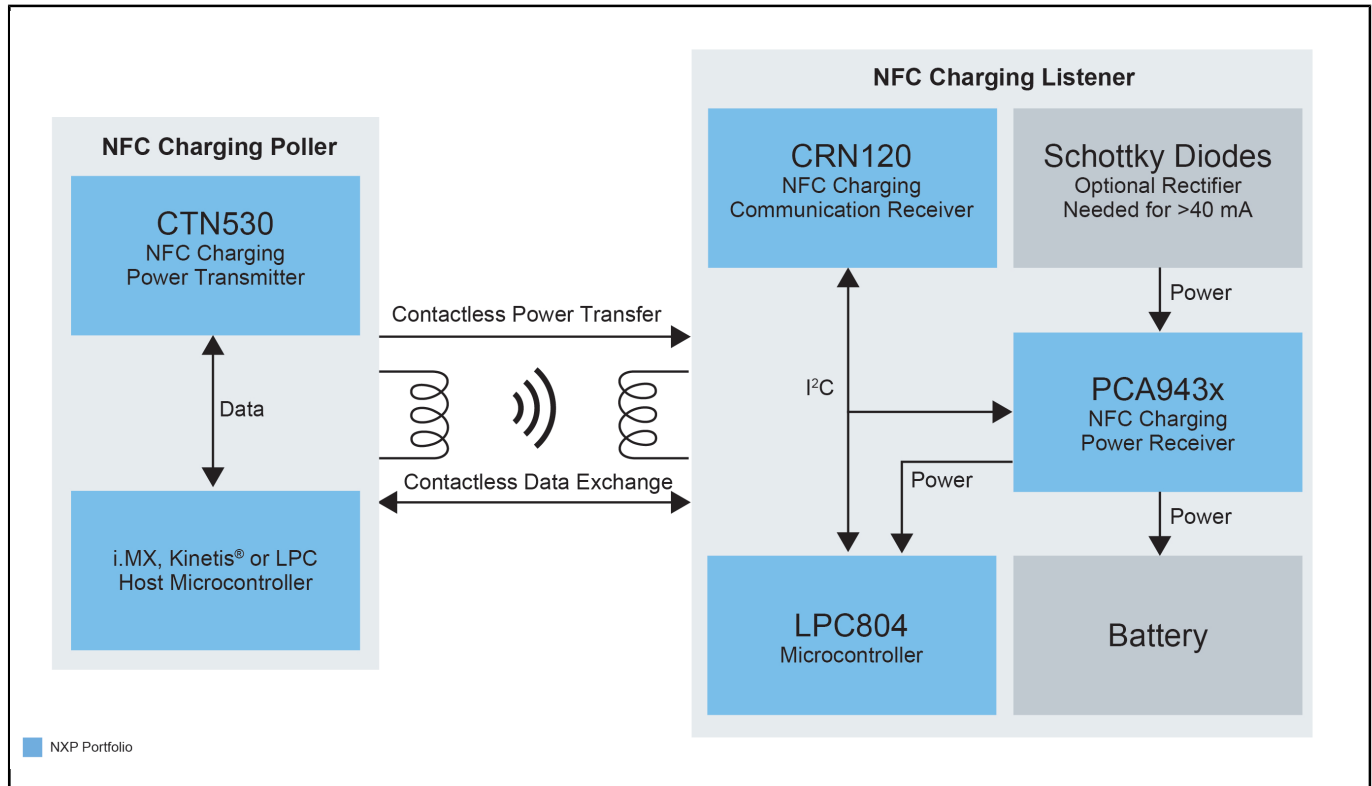
# NFC Wireless Charging Transmitter Front-End

## CTN530

Last Updated: Dec 28, 2022

Designed for higher power at lower cost, the CTN530 follows the NFC Forum standard for wireless charging. Supporting I<sup>2</sup>C, SPMI and UART, the CTN530 is compatible with popular MCUs, including LPC, Kinetis and i.MX. It is built to be used in charging applications like stylus pens, smart glasses, wearables and hearables.

## CTN530 Wireless Charging Transmitter Block Diagram



View additional information for [NFC Wireless Charging Transmitter Front-End](#).

**Note:** The information on this document is subject to change without notice.

[www.nxp.com](http://www.nxp.com)

NXP and the NXP logo are trademarks of NXP B.V. All other product or service names are the property of their respective owners. The related technology may be protected by any or all of patents, copyrights, designs and trade secrets. All rights reserved. © 2024 NXP B.V.