



6 GHz Tri-Band 4x4 Wi-Fi 6E (802.11ax) Solution

CW641

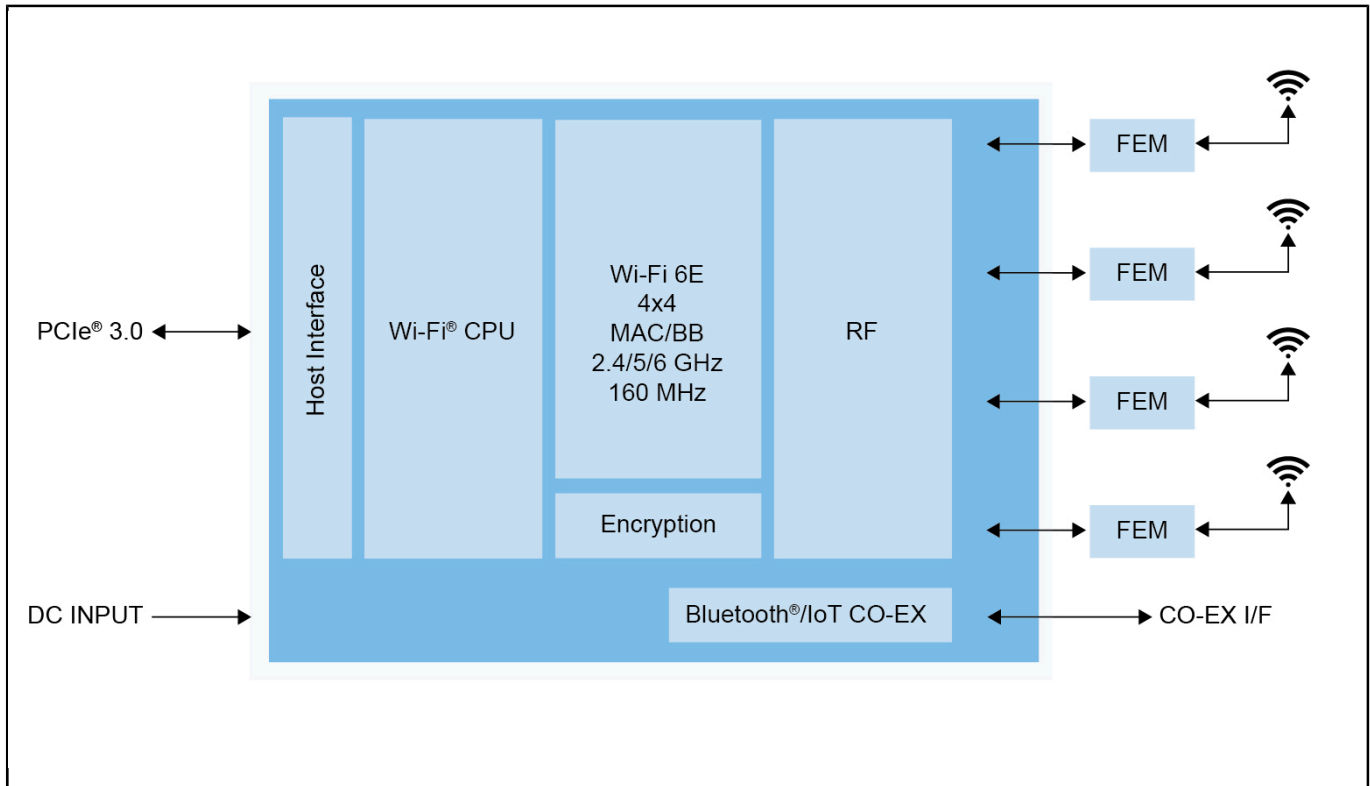
Archived

このページには、製造中止（生産終了）となった製品の情報が記載されています。本ページに記載されている仕様および情報は、過去の参考情報です。

Last Updated: Aug 9, 2023

This overview is left intentionally blank as it relates to a product not recommended for new designs.

CW641 Block Diagram Block Diagram



View additional information for [6 GHz Tri-Band 4x4 Wi-Fi 6E \(802.11ax\) Solution](#).

Note: The information on this document is subject to change without notice.

www.nxp.com

NXP and the NXP logo are trademarks of NXP B.V. All other product or service names are the property of their respective owners. The related technology may be protected by any or all of patents, copyrights, designs and trade secrets. All rights reserved. © 2024 NXP B.V.