



Dual H-Bridge, Motor Driver, 2-6.8 V, 1.4 A, 200 kHz

MPC17529

Archived

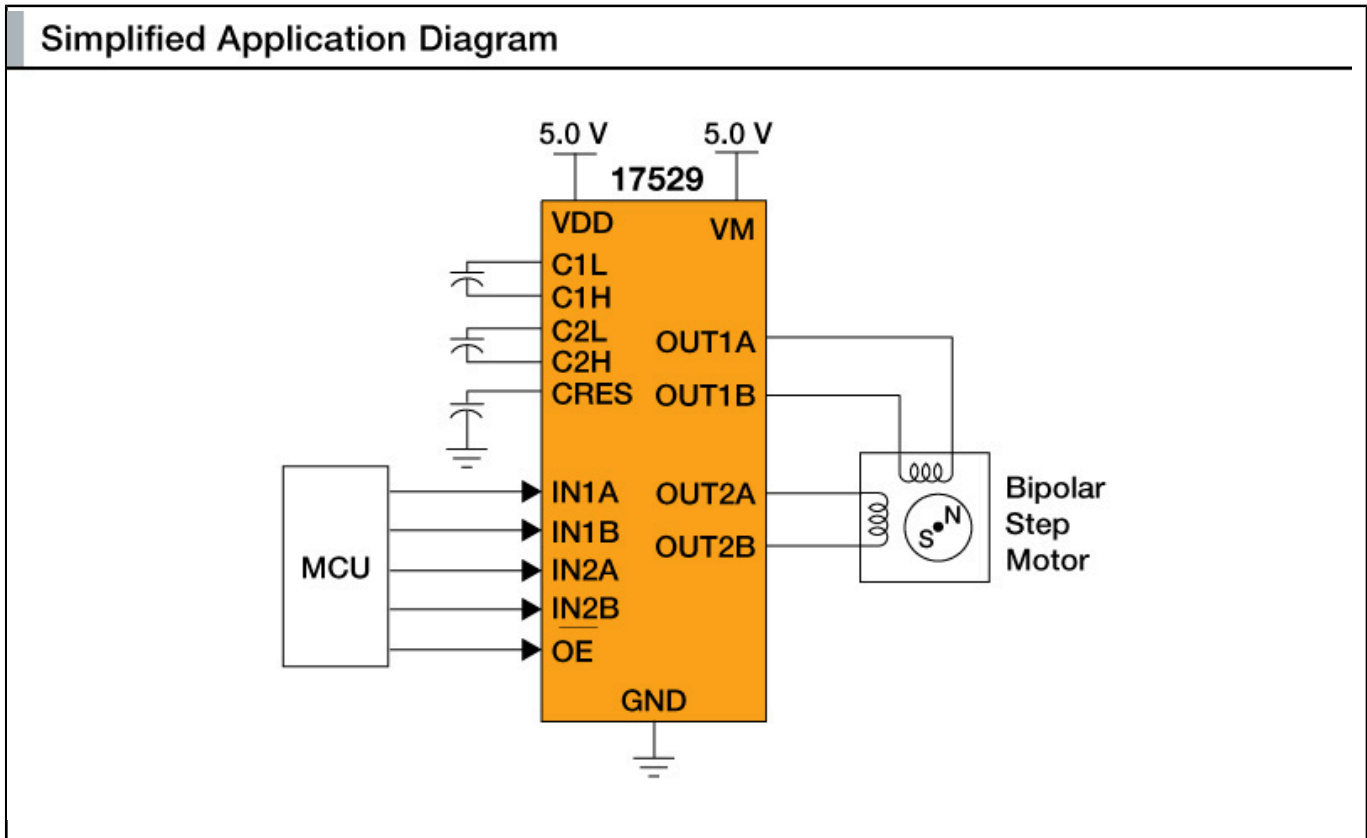
このページには、製造中止（生産終了）となった製品の情報が記載されています。本ページに記載されている仕様および情報は、過去の参考情報です。

Last Updated: Jul 26, 2023

The NXP® MPC17529 is a monolithic dual H-Bridge IC that is ideal for portable electronic applications to control bipolar stepper motors and Brush DC-motors, such as in camera lens shutters, optical disk drives and other head positioners.

- Enable and tri-state bridge control via a parallel MCU interface (3 and 5 V compatible logic)
- On-board charge pump, and built-in shoot through current protection and undervoltage detector to avoid malfunction
- Can drive various type of micro motor with low loss via parallel drive because each section has efficient drivers for PWM control frequency up to 200kHz for high speed drive and independent input/output circuitry

H-Bridge, Brushed DC/Stepper Motor Driver, 2-6.8V, 1.4A, 200kHz Block Diagram



View additional information for [Dual H-Bridge, Motor Driver, 2-6.8 V, 1.4 A, 200 kHz](#).

Note: The information on this document is subject to change without notice.

www.nxp.com

NXP and the NXP logo are trademarks of NXP B.V. All other product or service names are the property of their respective owners. The related technology may be protected by any or all of patents, copyrights, designs and trade secrets. All rights reserved. © 2024 NXP B.V.