



Logic-Controlled High-Side Power Switch

NX5P2925CUK

Archived

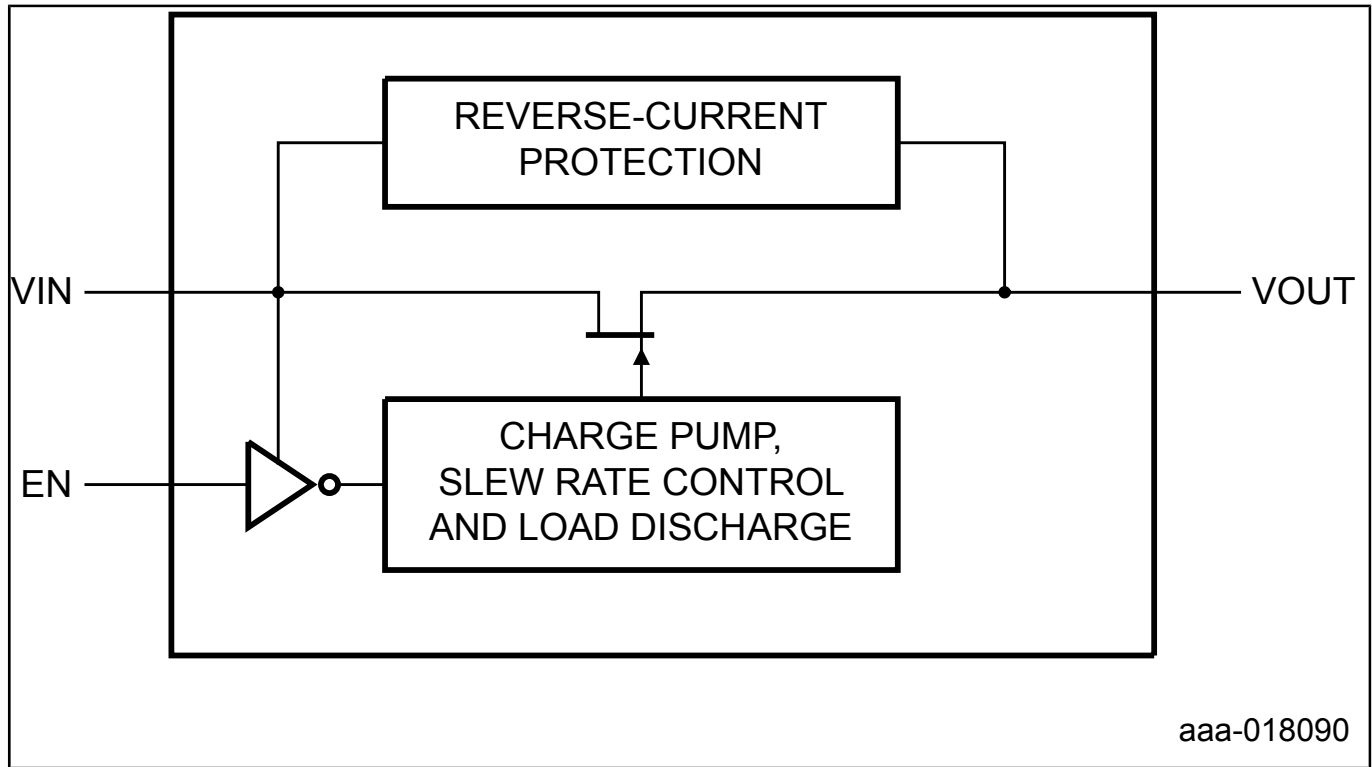
このページには、製造中止（生産終了）となった製品の情報が記載されています。本ページに記載されている仕様および情報は、過去の参考情報です。

Last Updated: Jul 13, 2023

The NX5P2925C is a high-side load switch which features a low ON resistance N-channel MOSFET with controlled slew rate that supports 2.5 A of continuous current. Designed for operation from 0.8 V to 5.5 V, it is used in power domain isolation applications to reduce power dissipation and extend battery life. The enable logic includes integrated logic level translation making the device compatible with lower voltage processors and controllers. The NX5P2925C is ideal for portable, battery operated applications due to low ground current.

NX5P2925C features reverse current protection (RCP) circuits. If V_{OUT} exceeds V_{IN} by 25 mV, the RCP circuit isolates V_{OUT} from V_{IN} , preventing damage to devices on the input side of the switch.

NX5P2925C Block Diagram Block Diagram



View additional information for [Logic-Controlled High-Side Power Switch](#).

Note: The information on this document is subject to change without notice.

www.nxp.com

NXP and the NXP logo are trademarks of NXP B.V. All other product or service names are the property of their respective owners. The related technology may be protected by any or all of patents, copyrights, designs and trade secrets. All rights reserved. © 2024 NXP B.V.