



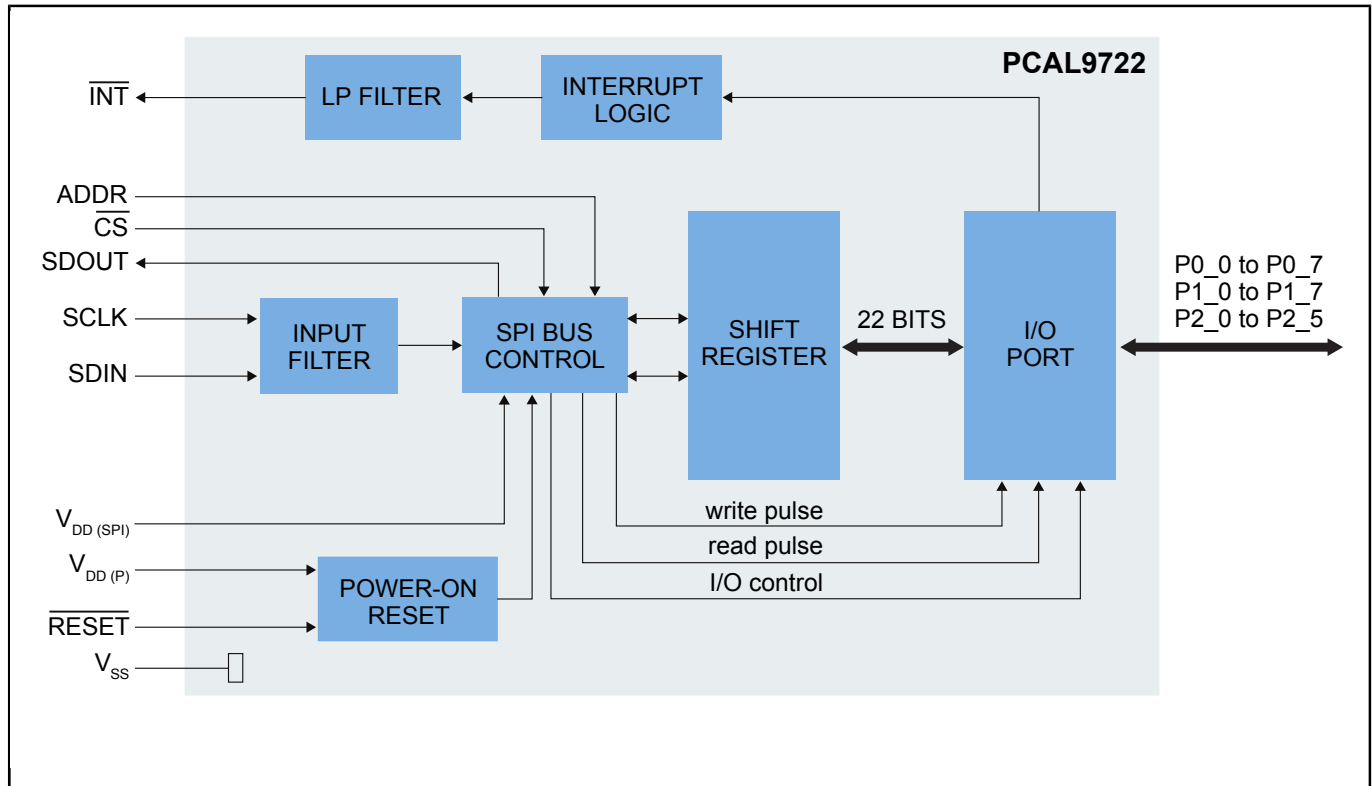
アジャイルI/O機能、割込み出力、リセット評価ボードを備えた超低電圧変換22ビットSPI I/Oエキスパンダ

PCAL9722HN-ARD

Last Updated: Jul 25, 2024

アジャイルI/O機能、割込み出力、リセット評価ボードを備えた超低電圧変換22ビットSPI I/Oエキスパンダ。

PCAL9722 Block Diagram



View additional information for [アジャイルI/O機能、割込み出力、リセット評価ボードを備えた超低電圧変換22ビットSPI I/Oエキスパンダ](#).

Note: The information on this document is subject to change without notice.

www.nxp.com

NXP and the NXP logo are trademarks of NXP B.V. All other product or service names are the property of their respective owners. The related technology may be protected by any or all of patents, copyrights, designs and trade secrets. All rights reserved. © 2024 NXP B.V.