



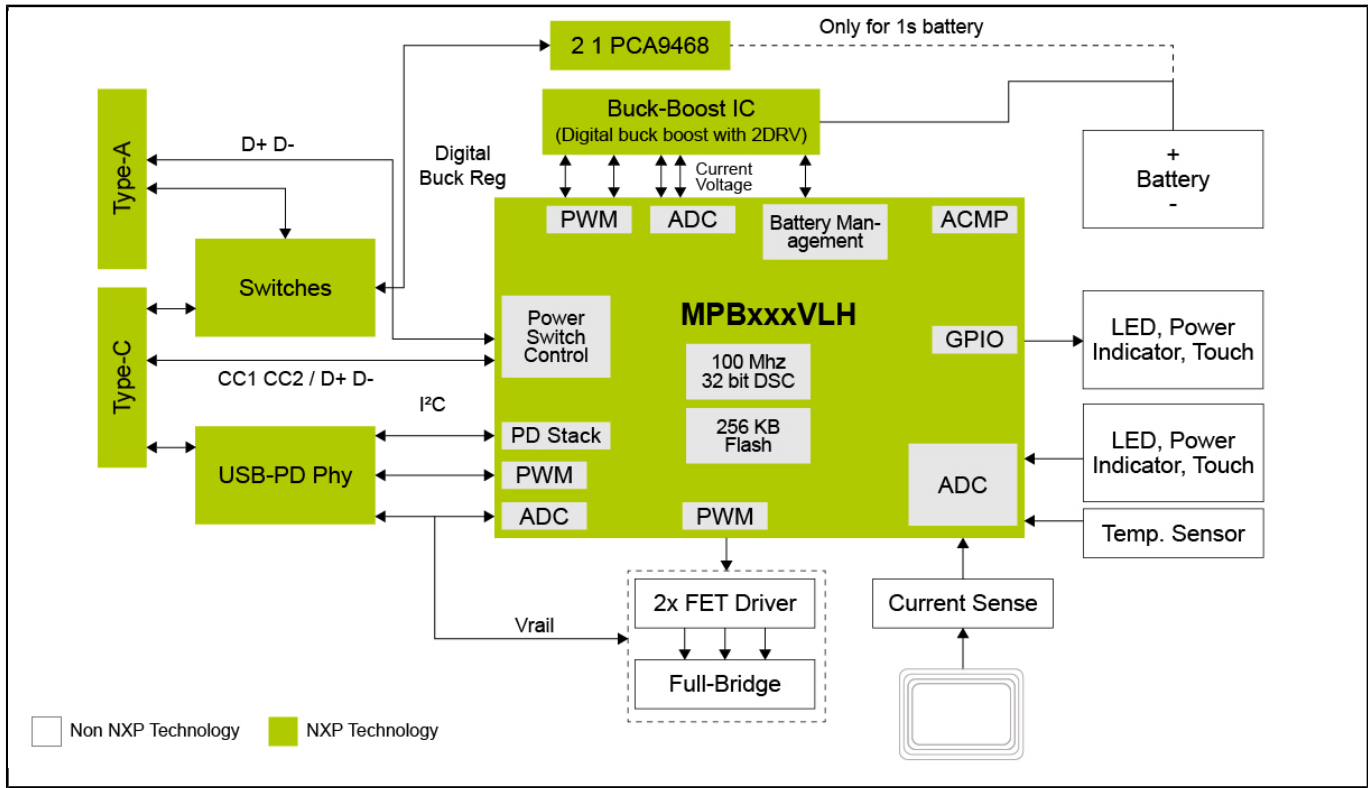
Quick Charge 4+ Power Bank

POWER-BANK-1

Last Updated: Apr 23, 2024

The NXP Quick Charge 4+ power bank with 15-watt Qi-certified wireless power output supports all of the latest wired and wireless technologies. Equipped with Qualcomm™ Quick Charge 4+ technology, our power bank provides lightning-fast simultaneous multichannel charging of smartphones, watches, tablets, 2-in-1 products, notebooks and other devices. A mere 5 minutes of charging on the NXP power bank delivers 5 hours of battery life.

Block Diagram



View additional information for [Quick Charge 4+ Power Bank](#).

Note: The information on this document is subject to change without notice.

www.nxp.com

NXP and the NXP logo are trademarks of NXP B.V. All other product or service names are the property of their respective owners. The related technology may be protected by any or all of patents, copyrights, designs and trade secrets. All rights reserved. © 2024 NXP B.V.