

Application Note

AN2317/D
Rev. 1, 10/2002

*Low-Cost Programming and
Debugging Options for
M68HC08 MCUs*

By: John Suchyta
Applications Engineering
8/16-Bit Products Division

Introduction

This application note describes several low-cost ways to get a target M68HC908 microcontroller (MCU) into monitor mode for the purposes of programming FLASH memory, reprogramming, and debugging. In most cases an external connector is used to bring the necessary signals from a host computer to the M68HC908 mounted on the target board. The size and type of external connector can be tailored to the needs of the application. Considerations for successful implementation of the monitor mode interface in a production product are discussed. This application note applies to all FLASH-based M68HC08 MCUs in general, and to the MC68HC908QY/QT Family in two particular examples. Note that "FLASH-based M68HC08" and "M68HC908" are synonymous in this document.

Commercial products, such as Motorola's line of in-circuit simulator (ICS) kits and the MON08-Cyclone and MON08-Multilink from P&E Microcomputer Systems, are available to provide the external connector (typically called the MON08 interface) and software to develop an application. These products are recommended for many users, but low-cost alternatives are also available. These alternatives can be used with several free or low-cost software packages to develop and program an application.

Commercial products that gang program FLASH MCUs before they are installed on a printed circuit board are not discussed here since the topic of this document concerns in-circuit programming. However, commercial programmers should be considered when the physical means to program in a production environment are not available.



What is Monitor Mode?

Monitor mode was developed as a feature of the M68HC08 MCU architecture to provide basic in-circuit debugging, as well as programming of nonvolatile memories. Monitor mode is not a substitute for full chip emulation, but it allows a low-cost connection to a host computer, which sends commands serially to the MCU. These commands perform read and write operations on the MCU's registers and memory. The system developer does not have to be concerned about the monitor commands since these are embedded in the programming/debugging tools. However, there are some practical limitations that must be considered when designing a system that will be programmed or debugged in-circuit using monitor mode.

Monitor mode uses a single I/O pin to communicate with a host PC. This pin is controlled by the monitor mode firmware in the MCU. The pin is switched between input and output as it emulates the serial protocol to the PC. This limitation only applies during monitor mode. As soon as the chip is released from monitor mode, the pin reverts to its I/O function.

Monitor mode must have a clock frequency that will allow the MCU to match the serial baud rate of the PC. In most cases the debug connector can provide a clock signal that can overdrive the crystal on the target board. The MON08-Cyclone tool mentioned below does this, as well as offering an "autobaud" function to adapt to the operating frequency of the target.

Several MCU pins must also be biased when configuring an MCU to enter monitor mode. These pins and their functions are described in later sections.

The host software that communicates with the MCU in-circuit is usually part of the development tool that the system developer obtains when starting a project. The development tool vendors all use the M68HC08's monitor mode as the preferred debug interface.

Some protection features are disabled in monitor mode. Care must be taken to understand the operation of the computer operating properly (COP) watchdog, SWI instruction, and FLASH protection features while in monitor mode.

To use monitor mode for in-circuit programming and debugging, a developer will need:

- Host software for the personal computer or work station
- A serial cable and pod (serial communications and biasing circuit) that translates host commands to monitor mode signals
- A suitable connection method on the target application to bias the MCU into the proper mode

Monitor Mode Signals

The physical monitor mode interface uses up to nine connections to configure the MCU and establish serial communications. As few as two or three connections are used to program the MCU's FLASH memory when the FLASH is blank and the special "Forced Monitor Mode" is invoked. (Refer to the Monitor ROM section of the appropriate M68HC908 data sheet.) For the purpose of this application note, we will only consider the "normal" monitor mode interface, which allows reprogramming. The monitor mode pin functions are discussed here. All signal names are taken from data books or made up by the author to identify functionality.

V_{TST}/\overline{IRQ}

Normal monitor mode is entered after a power on reset (POR) with a high voltage, typically called V_{TST} (pronounced V test), on the MCU's \overline{IRQ} pin. V_{TST} ranges from 7 V to 9 V, depending on operating V_{DD} level. The V_{TST} level enables the mode selection logic and internal operating conditions for the monitor mode.

COM/PTA0

Since all M68HC908 MCUs do not have a dedicated asynchronous serial communications interface (SCI), a software-based serial protocol is coded into each M68HC08 Family's monitor ROM. This serial interface is designed to communicate with a host computer's RS232 serial port at 9600 baud or other standard PC serial baud rate. The MCU's serial input and output are time-shared on a single I/O port pin, usually port A bit 0 (PTA0), to keep pin-count to a minimum. (See data sheet for specific pin.) A later section will cover the physical interface to connect this bidirectional pin to a PC.

Mode Select Signals (MOD1, MOD0, DIV4, SSEL)

Along with the high voltage on the \overline{IRQ} pin, up to four port pins are used to configure the monitor mode operating state. Two pins, sometimes referred to as MOD0 and MOD1, are always used as mode select pins. Two more pins are reserved for bus clock divider selection and an alternate security byte entry enable. These four pins only need to be at their valid logic levels at the rising edge of the reset pin for monitor mode entry. They revert to general-purpose I/O pins as soon as the mode is selected so that maximum I/O functionality is available in monitor mode.

| | |
|--------------------------------------|---|
| <i>MOD1, MOD0</i> | The mode select pins must be at their prescribed levels if the V_{TST} voltage is applied to the \overline{IRQ} pin. These pins select monitor mode. They are also used by Motorola production test facilities and emulator manufacturers to gain access to special test and emulation features. |
| <i>DIV4</i> | DIV4 (for bus clock equal to input clock divided by 4), if implemented, is used by the monitor firmware to determine the appropriate communications baud rate. A high-frequency input clock is recommended for the MON08 interface, which necessitates pulling the DIV4 signal high. |
| <i>SSEL</i> | SSEL (for serial select), if implemented, allows serial or parallel entry of security code bytes. Serial entry is the normal entry method supported by programming and debugging tools. Parallel entry is only useful during production test, and is not a user option, since eight more pins are needed to enter the security data. This signal does not allow memory data to be loaded into the FLASH in a parallel mode. |
| OSC | Since the monitor serial communication is generated by the monitor mode firmware rather than a dedicated serial communications interface, the internal bus clock must be forced to a frequency that will yield baud rates that personal computers can recognize. The OSC1 input can be over-driven by a canned oscillator even if a crystal resonator circuit or RC network is connected to the OSC1 and OSC2 pins. While most M68HC08 monitor mode implementations recommend a 9.8304 MHz oscillator input to get a 9600 baud rate, some M68HC08's, particularly the M68HC(9)08A and M68HC(9)08JB Families, specify other oscillator frequencies. Again, refer to the specific data sheet for details. |
| \overline{Reset} | The \overline{Reset} input is required for proper debugging operation, but is not required for programming and simple debugging. The \overline{Reset} pin normally is pulled up (via an internal pullup resistor) to V_{DD} . In monitor mode on some devices, this pin can be raised to the V_{TST} level (after monitor mode is entered) to allow the \overline{IRQ} pin to be switched back to its interrupt input function for debugging purposes. For example, the M68HC908KX Family requires a pullup on the I/O pin that is shared with \overline{Reset} . |
| Ground/V_{SS} | The V_{SS} pin must be connected to the host system's ground to provide the proper voltage reference for communications and mode biasing. |

MON08 Pods

The hardware that connects a PC and the target board ranges from full-featured development tools to simple communications circuits that anyone can build.

The ICS MON08 Connector

Motorola builds In-Circuit Simulators (ICS) for many popular M68HC08 derivatives. This tool provides a fairly sophisticated debug environment for code developers and the capability to program individual MCU devices while designing an application. The ICS contains a 16-pin ribbon cable that can mate with a connector on the target board. This connector, typically called the MON08 connector, is usually a 2-row by 8-pin (2 x 8) dual row header with 0.10 inch spacing. One end of the ribbon cable is attached to the ICS and the other end is attached to the target application. The connector pinout is described in the in-circuit simulator (ICS) kit for each particular M68HC08 MCU, and can also be found in most M68HC08 development tool documentation. **Figure 1** is an example of the MON08 connector pinout found on the ICS tool for the MC68HC908GP32.

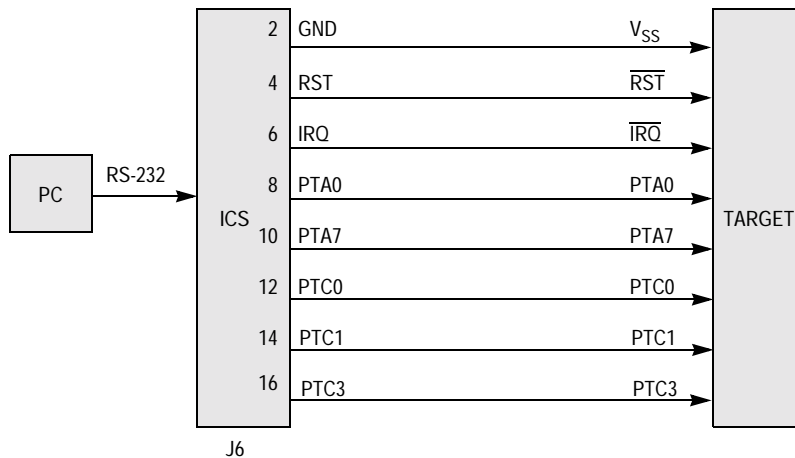


Figure 1. MC68HC908GP32 MON08 Connections

The MON08 connector pinout for one MCU may not match the pinout for another due to the different biasing requirements among the M68HC08 MCU families. M68HC08 versions with smaller pin counts will generally have one or two fewer pins in the MON08 connection. **Table 1** shows the MON08 pin number and target signal name for several popular M68HC08 MCUs.

Table 1. Typical MON08-to-Target Mapping

| MON08 Pin Number | Target Pin Name | | | | |
|------------------|-------------------------|-------------------------|-------------------------|-------------------------|-------------------------|
| | GP/GT | JL/JK | KX | MR | QY/QT |
| 2 | V _{SS} | V _{SS} | V _{SS} | V _{SS} | V _{SS} |
| 4 | $\overline{\text{RST}}$ | $\overline{\text{RST}}$ | $\overline{\text{RST}}$ | $\overline{\text{RST}}$ | $\overline{\text{RST}}$ |
| 6 | $\overline{\text{IRQ}}$ | $\overline{\text{IRQ}}$ | $\overline{\text{IRQ}}$ | $\overline{\text{IRQ}}$ | $\overline{\text{IRQ}}$ |
| 8 | PTA0 | NC | PTA0 | PTA0 | PTA0 |
| 10 | PTA7 | PTB0 | PTA1 | PTC2 | PTA4 |
| 12 | PTC0 | PTB1 | PTB0 | PTC3 | PTA1 |
| 14 | PTC1 | PTB2 | PTB1 | PTC4 | NC |
| 16 | PTC3 | PTB3 | NC | NC | NC |

MON08-Cyclone

The MON08-Cyclone tool from P&E Microcomputer Systems (www.pemicro.com) was developed to provide a better way to standardize the monitor mode connection across the M68HC08 MCU Families. The MON08-Cyclone supports programming and debugging of almost every M68HC908 MCU in current production. The Cyclone pod connects between the serial port of a PC and the target board. It also can be used as a stand-alone programmer to program multiple assemblies. This feature makes an ideal way to set up a production test fixture to program newly assembled circuit boards without PC intervention.

The MON08 connector supplied with the Cyclone tool is the same 16-pin ribbon cable that is found in the ICS kits. Two additional pins were populated to provide the oscillator signal (OSC) and a switchable power supply (V_{Out}) as shown in **Figure 2**. The Cyclone automatically configures the pinout for the M68HC08 MCU version so that only one hardware tool is necessary to program and debug any M68HC908. P&E Microcomputer Systems also posts software revisions on their Web site for regular updates and whenever a new M68HC08 MCU is introduced.

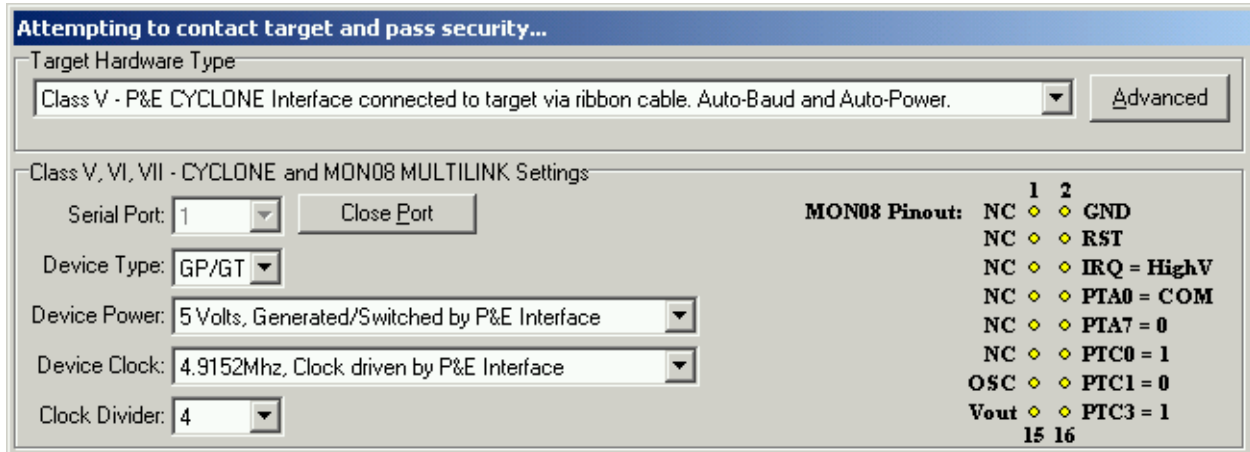


Figure 2. Cyclone Programmer (Class V) Window Showing MON08 Pinout

MON08-Multilink

The MON08-Multilink is a low-cost version of the Cyclone. The Multilink connects to a PC's parallel port and offers the same programming and debug capabilities as the Cyclone. However, the Multilink does not offer the stand-alone portability found on the Cyclone. The Multilink and Cyclone use the same programming and debugging software with alternate settings, as shown in Figure 3.

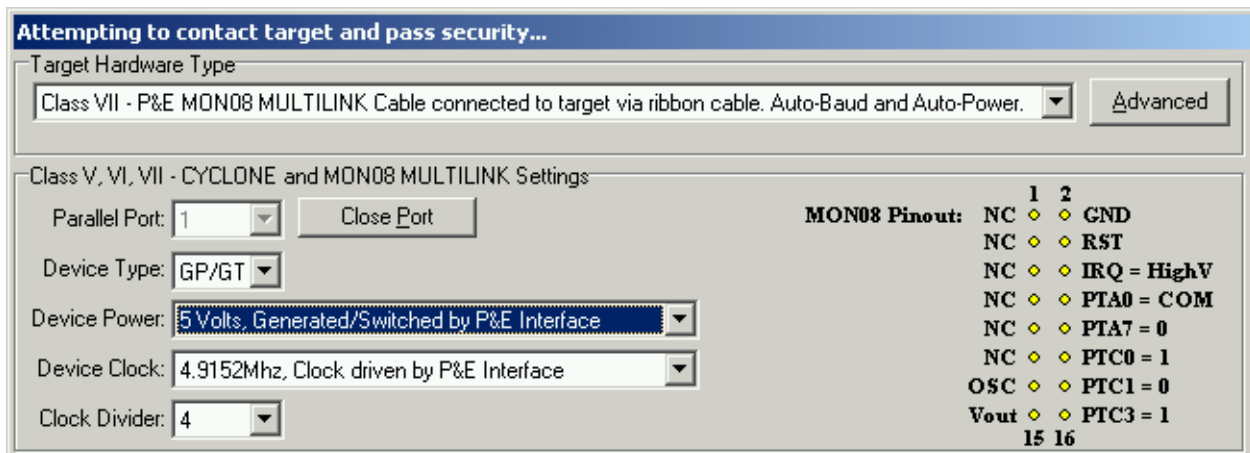


Figure 3. Multilink Programmer (Class VII) Window Showing MON08 Pinout

Custom MON08 Interfaces

As mentioned above, monitor mode entry conditions can be introduced to a circuit board in many ways. The method of mode entry and communications can be as simple as including a “standard” MON08 interface (16-pin ribbon cable to a 2 x 8 dual row header) to program or debug. Since dual row headers can add unnecessary expense and area to a production board, other connection methods should be explored in some applications.

Successful in-circuit programming schemes implemented by customers include a bed-of-nails test environment, a board edge connector and socket arrangement, and custom cabling that makes alternate use of cable connections already present on the circuit board. These schemes can route the necessary monitor mode signals to the board in a test or calibration environment and not interfere with the end application. Mating the MON08-Cyclone to any of these schemes makes a programming or reprogramming session easy to operate, and does not require a PC.

Let’s explore some methods to communicate with a target in monitor mode without the benefit of an ICS, MON08-Cyclone, MON08-Multilink, or other production tool. These methods all can be made into target-powered MON08 interfaces (power for the communications circuit comes from the target board) and become the “pod” for the monitor mode interface scheme.

Normal Monitor Mode Circuit

The normal monitor mode circuit in most M68HC08 data books looks something like that shown in [Figure 4](#). The circuit to the left of the MCU in [Figure 4](#) shows the MAX232 serial level shifter and the 74HC125 buffers that provide the bidirectional data switching for the serial communications on port PTA0. This portion can be used a stand-alone pod for monitor mode communication with many M68HC08 variants. Notice that we use the V+ supply from the MAX232 to provide the V_{TST} voltage for the \overline{IRQ} pin. The signal generator in the middle of the figure is usually a canned oscillator which can also be placed in the stand-alone pod.

The \overline{RST} pin circuit is optional. The reset function can be accomplished by simply toggling power to the target board since a power on reset (POR — specified as V_{DD} less than 0.1 V) is adequate for most programming and debug sessions. The requirement to have a high level on \overline{RST} is addressed by the internal pullup resistor that’s present on most M68HC08 \overline{RST} pins or an external pullup for devices like the M68HC908A and M68HC908MR Families. More information on the \overline{RST} pin is given below.

The mode select signals on the right of the MCU are only necessary during the rising edge of reset to enter monitor mode. The biasing of these signals is described in more detail below.

Also note that a 9.8304 MHz clock source is used. This requires the DIV4 signal to be pulled high to provide the 9600 baud rate.

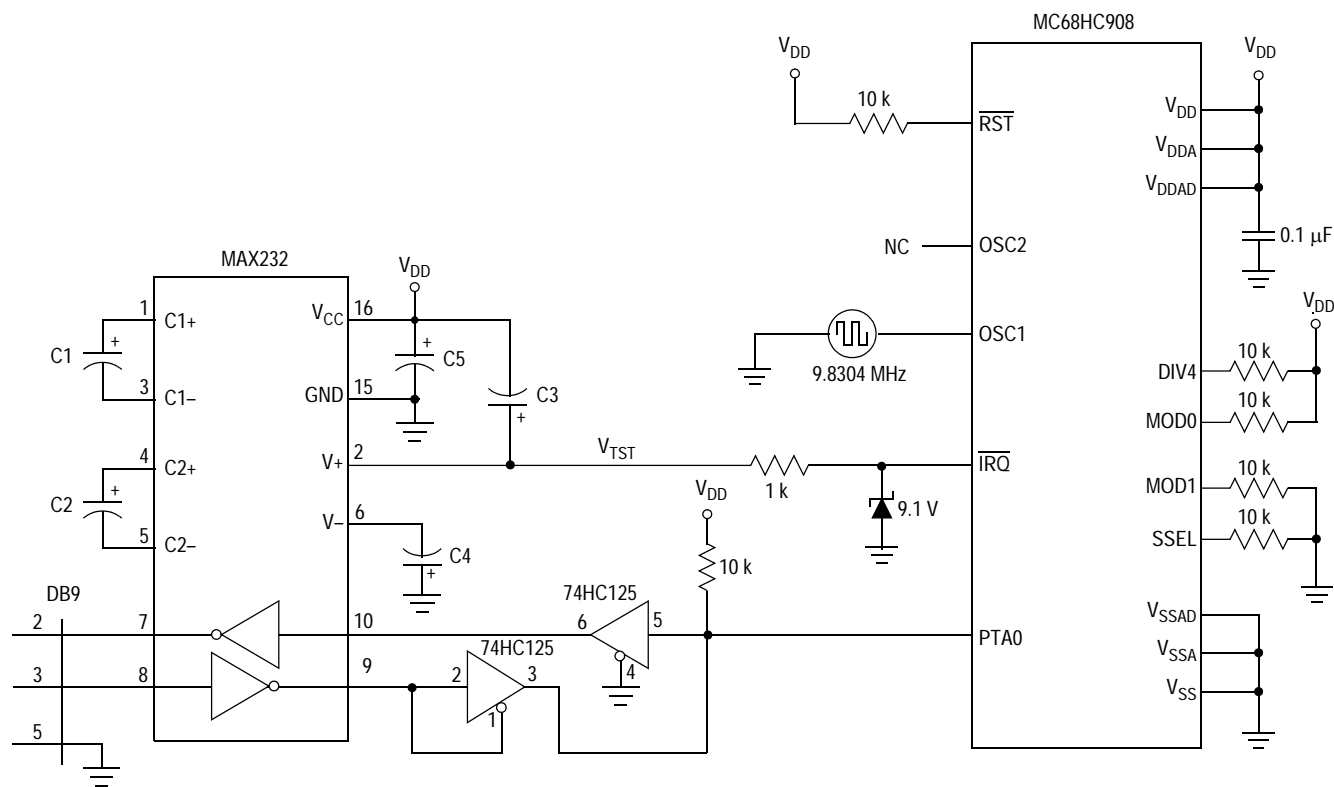


Figure 4. Normal Monitor Mode Circuit

Simpler Monitor Mode Circuit

A simpler implementation of the monitor mode circuit of **Figure 4** is shown in **Figure 5**. The two 74HC125 buffers are replaced by a resistor and diode. When PTA0 is outputting a 1, the input at the MAX232 pin 10 is held high. When PTA0 is outputting a 0, the input at pin 10 is driven low. The RS232 level at pin 8 is idling low which drives pin 9 to a logic one. This high level is blocked by the diode so there is no bus conflict. As an input, PTA0 idles high whenever pin 9 is high. When the MAX232 pin 9 goes low, the diode provides the path to pull the PTA0 input low.

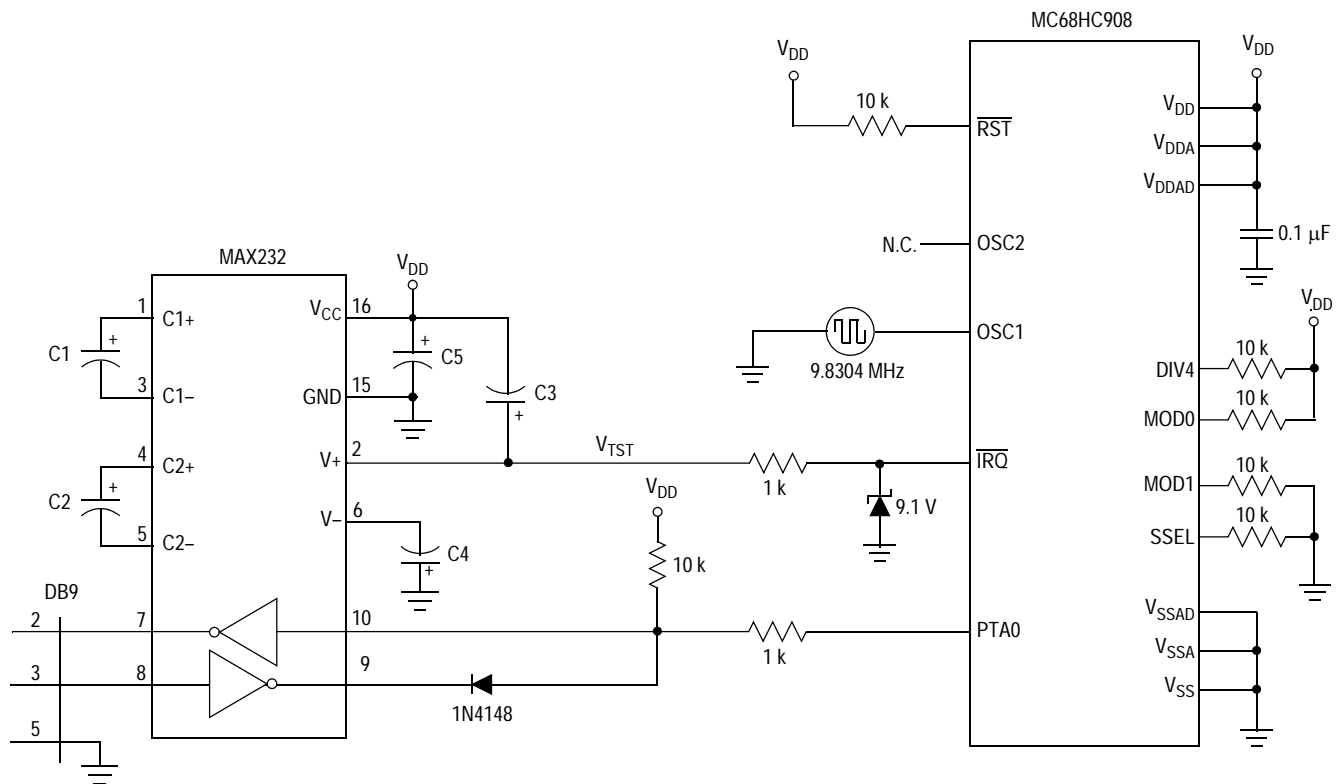


Figure 5. Simpler Monitor Mode Circuit

Oscillator Circuits

Figure 6 shows two ways to supply the external oscillator for normal monitor mode operation. Figure 6a shows a canned oscillator while Figure 6b shows a discrete inverter-based oscillator. The canned oscillator is perhaps the best way to provide the external clock signal. It may cost a little more than the inverter-based oscillator, but it has suitable drive strength to overdrive the on-board crystal, and its small physical footprint (8-pin and 14-pin DIP versions are available) makes it easy to implement in a custom MON08 interface.

The inverter-based oscillator in Figure 6b has been successfully used in several circuits which required different oscillator frequencies. With a suitable socket, the crystal can be changed from 4 MHz to 16 MHz. Care must be taken with the layout of this circuit to avoid improper oscillation and noise. The inverter should be a single-stage 74HCU04 to prevent unwanted phase shifts. The unused inputs of the inverter package should be grounded to prevent noise. The load capacitors were chosen for a parallel resonant crystal with a 20 pF load capacitance and assumes about 5 pF of stray capacitance due the crystal socket and layout.

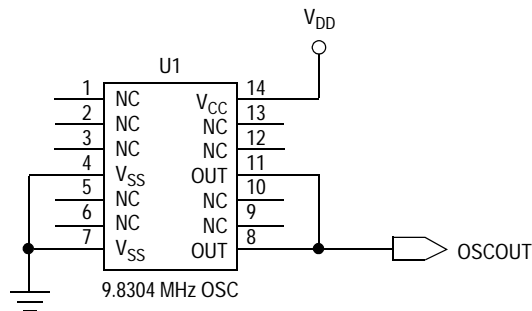


Figure 6a. Canned Oscillator Circuit

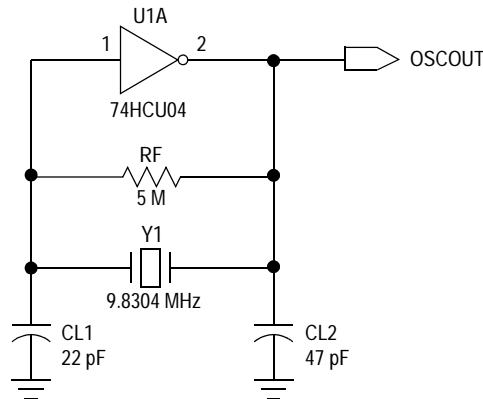


Figure 6b. Inverter-Based Oscillator Circuit

V_{TST} Generation

The MAX232 shown in **Figure 4** and **Figure 5** can be used to supply the high voltage (V_{TST}) for monitor mode entry. The V+ output of the MAX232 supplies about 9 V for the RS232 communications interface, which is adequate for monitor mode entry. A zener diode and current limiting resistor complete the V_{TST} supply. The \overline{IRQ} pin draws about 200 μ A from the V_{TST} supply when monitor mode is selected.

Another way to get the V_{TST} voltage is by switching a 9 V battery or power supply to the \overline{IRQ} pin. An example of a switching circuit is shown in **Figure 7** below. The supply voltage should be limited to 9 V to meet the V_{TST} spec. The 1 k Ω series resistor (R9) is a simple current limit for the V_{TST} supply.

Low-Cost MON08 Interface

Figure 7 shows another implementation of a custom MON08 interface. This circuit was modified from a low-cost RS232 interface found on several Internet sites. The central part of the circuit, composed of transistors Q1 and Q2, diode D1, capacitor C1, and resistors R1 – R5, is a simple level shifter between the 0 V and 5 V levels on the PTA0 pin and the –8 V to +8 V levels from the PC's serial port. This circuit actually transmits –5 V to +5 V levels due to the negative pull down at C1 and V_{DD} pullup at Q1. Q1 and Q2 can be any general-purpose PNP and NPN transistors, respectively. Resistor R3 can be trimmed to provide the best negative voltage swing for the transmitter signal at the DB9's pin 2.

The top part of the circuit, composed of transistors Q3 and Q4, resistors R6 – R9, and the 9 V battery or supply, is a simple way to switch the high V_{TST} voltage to the \overline{IRQ} pin only when power is applied from the target's V_{DD} supply. The V_{TST} level cannot remain on the \overline{IRQ} pin when the part is powered down, but it must be present when the \overline{Reset} pin is released. Switch S1 is inserted for the case where the PTA0 pin is used for serial communication in the normal application (if an asynchronous serial communications interface (SCI) is not available on the MCU). Again, Q3 and Q4 can be any purpose PNP and NPN transistors, respectively.

The bottom part of the circuit in **Figure 7** is an optional way to route the appropriate levels for monitor mode selection to a target system that requires the external bias.

A socket for a canned oscillator is included. This configuration allows either a standard 14-pin footprint or a smaller 8-pin footprint.

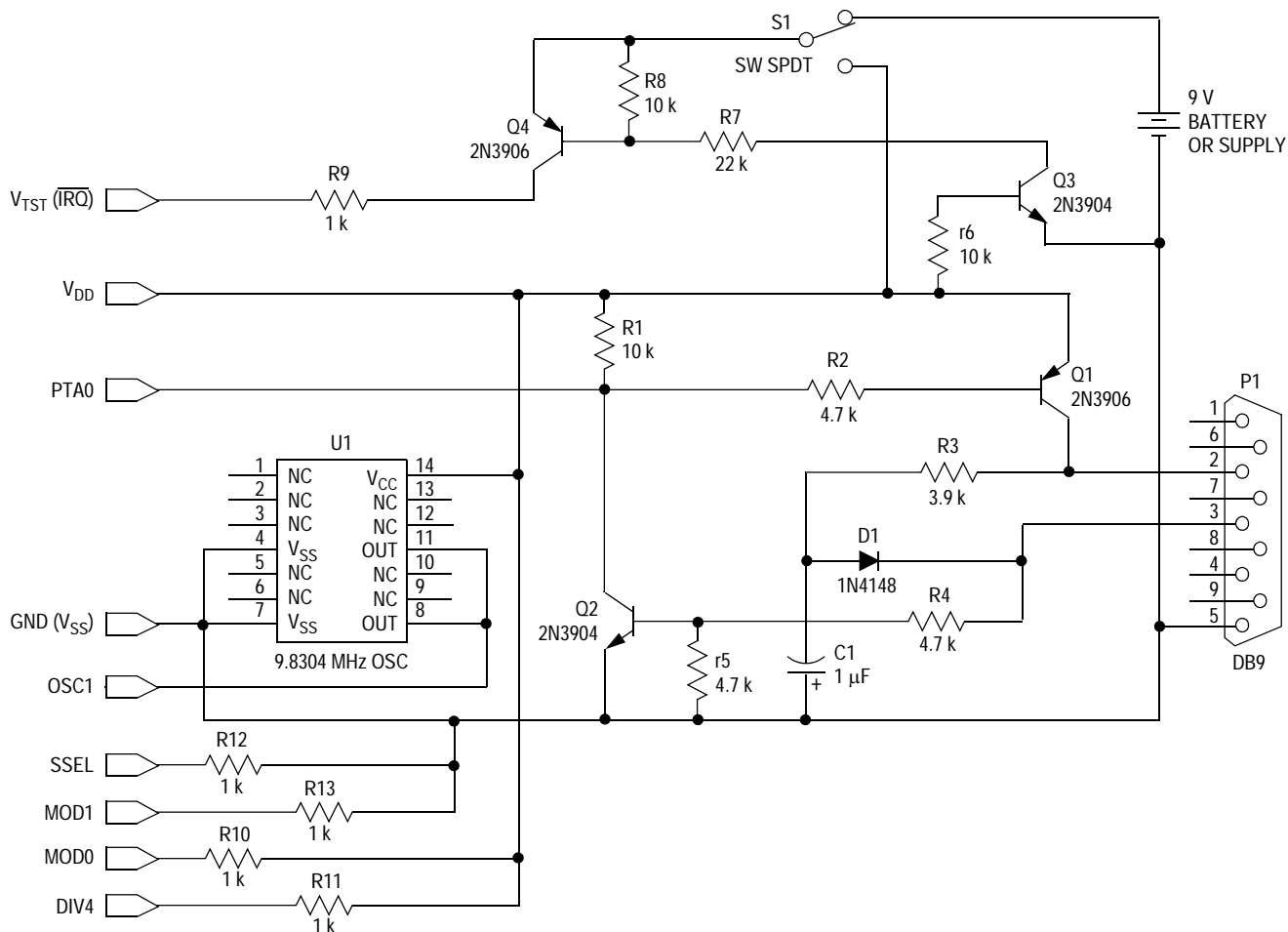


Figure 7. Low-Cost MON08 Interface

Freescale Semiconductor, Inc.

User Monitor Mode Implementation

The evaluation board shown in **Figure 8** was built for the introduction of the 8-pin MC68HC908QT4 MCU. This board has a preprogrammed M68HC908QT4 on it that jumps to the monitor mode firmware when the PTA2 pin is held low during power-up. This MCU has so few pins that a full MON08 interface takes just about every pin on the chip. The “user monitor” is a program residing in FLASH that allows the MCU to enter the monitor mode without V_{TST} , an oscillator, or the mode select pins. That is, the MON08 connector is not needed at all! The user monitor program is fully described in the application note entitled *User Mode Monitor Access for MC68HC908QY/QT Series MCUs*, Motorola document order number AN2305/D.

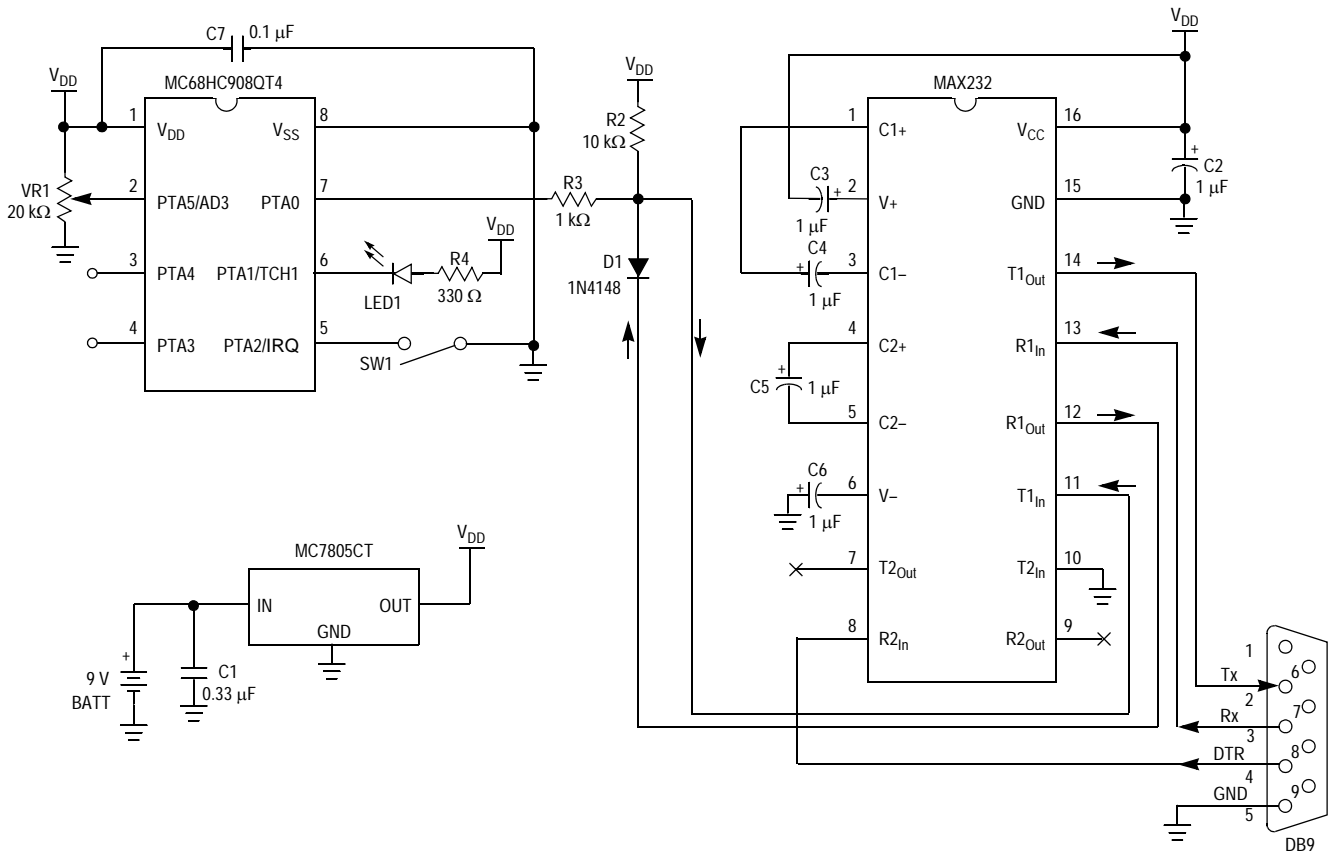


Figure 8. Low-Cost Evaluation Board Schematic

MON08 Connections on a Target Board

A target-powered monitor mode interface gets its power and ground connections from the target printed circuit board. Depending on the usage of the general-purpose I/O and control pins, as few as three other signals (COM, V_{TST} , and OSC) need to be brought onto the board.

With proper planning, an application can have the appropriate mode and control pins preconfigured to reduce the number of pins required to enter monitor mode. Engineering Bulletins EB366 through EB370 show examples of user circuits that have the mode select pins pulled high or low, and therefore, demonstrate that as few as five signals, including power and ground, are needed to communicate with the application. The following figure from EB366 shows this concept.

Mode Select Signals (MOD1, MOD0, DIV4, SSEL)

Let's consider the mode select signals first. These four signals can be biased by the default state of the application's I/O so that the MON08 connector does not have to connect to them. They can be either inputs or outputs in the target circuit. During monitor mode entry they just have to be at the appropriate logic state to provide mode selection. For instance, in **Figure 9**, pins PTC0 and PTC3 can be configured as inputs that are active low in the application. The external pullup resistors would be a necessary expense to provide the proper biasing since the internal pullup resistors are not enabled during reset. PTC0 and PTC3 configured as active low outputs would also be effective. As LED drive ports, these pins can be pulled up to V_{DD} through the LED and current limiting resistor and provide the high logic level without additional components.

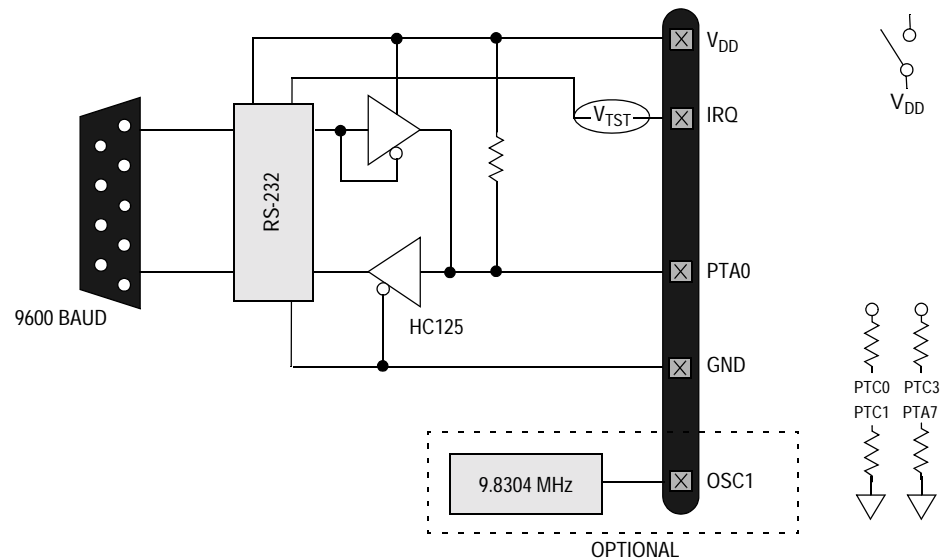


Figure 9. Target-Powered Monitor Mode Interface.

Here are some suggestions on how to configure I/O pins for monitor mode entry:

High level needed:

- Use as inputs, active low. Need weak pullup resistors (~10 k Ω).
- Use as outputs, active low. External circuitry could be LEDs with pullup resistors.

Low level needed:

- Use as inputs, active high. Need weak pulldown resistors (~10 k Ω).
- Use as outputs, active high. External circuitry could be an NPN transistor or N-channel FET with a pulldown resistor.

As discussed here, the mode select signals do not have to be supplied from the external MON08 interface if they can be “pre-biased” by the application.

V_{TST}/\overline{IRQ}

The \overline{IRQ} pin is generally an input on most M68HC08s. As an input it can withstand the higher-than- V_{DD} voltage that V_{TST} needs to be. In most applications this pin is held high by the internal pullup resistor in normal mode. If an active driver like a latch or NOR gate is used to drive this input low during an actual application, then proper isolation should be used to prevent the applied V_{TST} voltage from damaging the external driver. A series resistor may be all that is needed in most cases.

The V_{TST} signal should be supplied from the external MON08 interface to prevent accidental monitor mode entry while the application is in normal operation.

COM/PTA0

The PTA0 signal is best when configured as an input pin to receive the bidirectional COM serial signal. On most M68HC08 MCUs, this pin is a keyboard interrupt input. It also is an analog-to-digital input and general-purpose I/O on other devices. If configured as an input pin in normal modes, there will be no conflict in monitor mode when the COM signal is connected to this pin. If this pin is configured as an output, the circuitry connected to the pin must be isolated from the bidirectional serial data to avoid inadvertent triggering of the application’s output function.

The COM signal must be supplied from the external MON08 interface.

OSC/OSC1

The OSC signal is always applied to the OSC1 pin on every M68HC08 for monitor mode entry. This pin may have a crystal or RC attached to it in normal operation. The external oscillator can easily overdrive the crystal or RC to provide the 9.8 MHz monitor mode frequency. On device families like the M68HC908GT, M68HC908KX, and M68HC908QYQT, this pin may be a general-purpose I/O pin in addition to an optional oscillator input in normal operation.

Unless the appropriate clock source is available in the application, the OSC signal should be supplied from the external MON08 interface.

 $\overline{\text{RST}}$

The $\overline{\text{RST}}$ pin is an input and a low-driving output on most M68HC08s. As an input it has an internal or external pullup resistor. As an output it drives the pulled-up reset line low to signal an internal reset condition. Depending on the level of debugging necessary in the target, this pin may not need to be brought out to a MON08 interface. That is, if the reset input is not a critical part of the application, the reset function can be accomplished by cycling power to the board, thereby providing a power-on-reset (POR) which is sufficient for programming and most debugging.

In the cases where the $\overline{\text{IRQ}}$ is an active part of the application, applying V_{TST} to the $\overline{\text{RST}}$ pin during monitor mode releases the $\overline{\text{IRQ}}$ pin to be operated as the interrupt input, but only after successful monitor mode entry with V_{TST} on $\overline{\text{IRQ}}$. This sequencing of $\overline{\text{IRQ}}$ and $\overline{\text{RST}}$ is generally provided by sophisticated (and more expensive) debug tools.

On some low-pin count devices, such as the M68HC908KX and M68HC908QY/QT Families, the $\overline{\text{RST}}$ pin is shared with general-purpose I/O. In these cases, the $\overline{\text{RST}}$ pin must be pulled to V_{DD} with a resistor to enter normal monitor mode. V_{TST} cannot be applied to the pin on these parts.

In general, the $\overline{\text{RST}}$ signal does not have to be supplied by the external MON08 interface.

Ground/ V_{SS}

Ground must be provided as the signal reference in the external MON08 interface.

Power/ V_{DD}

This connection can be used to power the MON08 interface if the pod does not have its own power supply. The current requirements of the MON08 interface must be considered in the application's power supply design when deciding to use a target-powered MON08 interface.

In summary, the $V_{\text{TST}}/\overline{\text{IRQ}}$, COM/PTA0, OSC/OSC1, and Ground/ V_{SS} pins must be provided in the external MON08 interface. The Power/ V_{DD} pin can be provided if the MON08 circuit needs to be powered from the target. The $\overline{\text{RST}}$ pin and the four mode select signals may not need to be provided if the application can bias them in normal operation.

Low-Cost MON08 Software

Free or low-cost software options for programming and debugging M68HC908 MCUs are available from P&E Microcomputer Systems (www.pemicro.com), Metrowerks (www.metrowerks.com), and ImageCraft (www.imagecraft.com/software/). P&E's ICS08 interface software packages are available at no charge for individual use by registering at their web site. Metrowerk's CodeWarrior Development Studio for 68HC08, Special Edition, is available at no charge from the Motorola MCU Web site (www.motorola.com/semiconductors/mcu). You must register for the license key for this software. ImageCraft's low-cost ICC08 compiler works with the NoICE debugger. P&E also bundles programming software in their MON08-Cyclone and MON08-Multilink tools.

P&E Microcomputer Systems

P&E's ICS08 software packages contain the WinIDE integrated development environment, which pulls together an assembler, in-circuit simulator, memory programmer, and in-circuit debugger. The programmer and debugger work with any MON08 hardware interface, as shown in the target hardware type menu in **Figure 10**. Class III is used with the MON08 interfaces in **Figure 4**, **Figure 5**, and **Figure 7**, above. Classes V and VII are used with the Cyclone and Multilink pods, respectively.

The following examples illustrate how to program and debug an M68HC908GT16 MCU with P&E's PROG08SZ and ICD08SZ tools. The MON08 pod in this example is a custom version of the circuit shown in **Figure 4**.

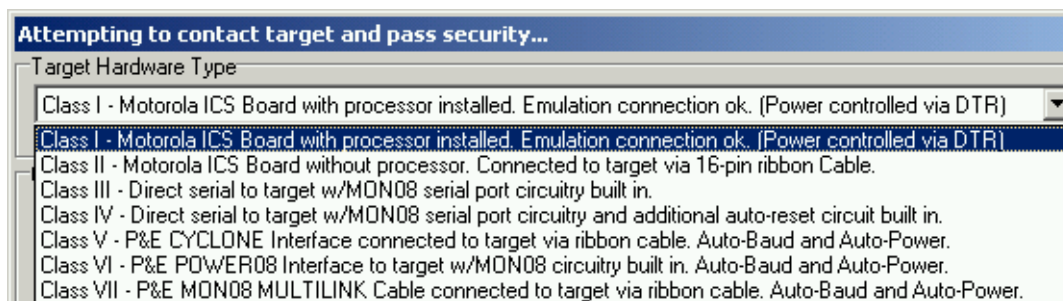


Figure 10. Hardware Selection in P&E PROG08SZ

PROG08SZ

Programming the FLASH on an M68HC908 is relatively easy with the PROG08SZ component. Simply open the WinIDE, then develop and assemble your code. When your MON08 interface is attached between the PC and target board, select the programmer icon (lightning bolt). The PROG08SZ programmer launches and configures the PC's COM port. Depending on the type of MON08 interface, a power cycle dialog box may appear to ask you to turn power off then on to your board. (The Cyclone and Multilink can perform this operation for you.) PROG08 then prompts you to choose a programming algorithm from a file window. Monitor mode communication is established automatically and the programmer window (**Figure 11**) appears.

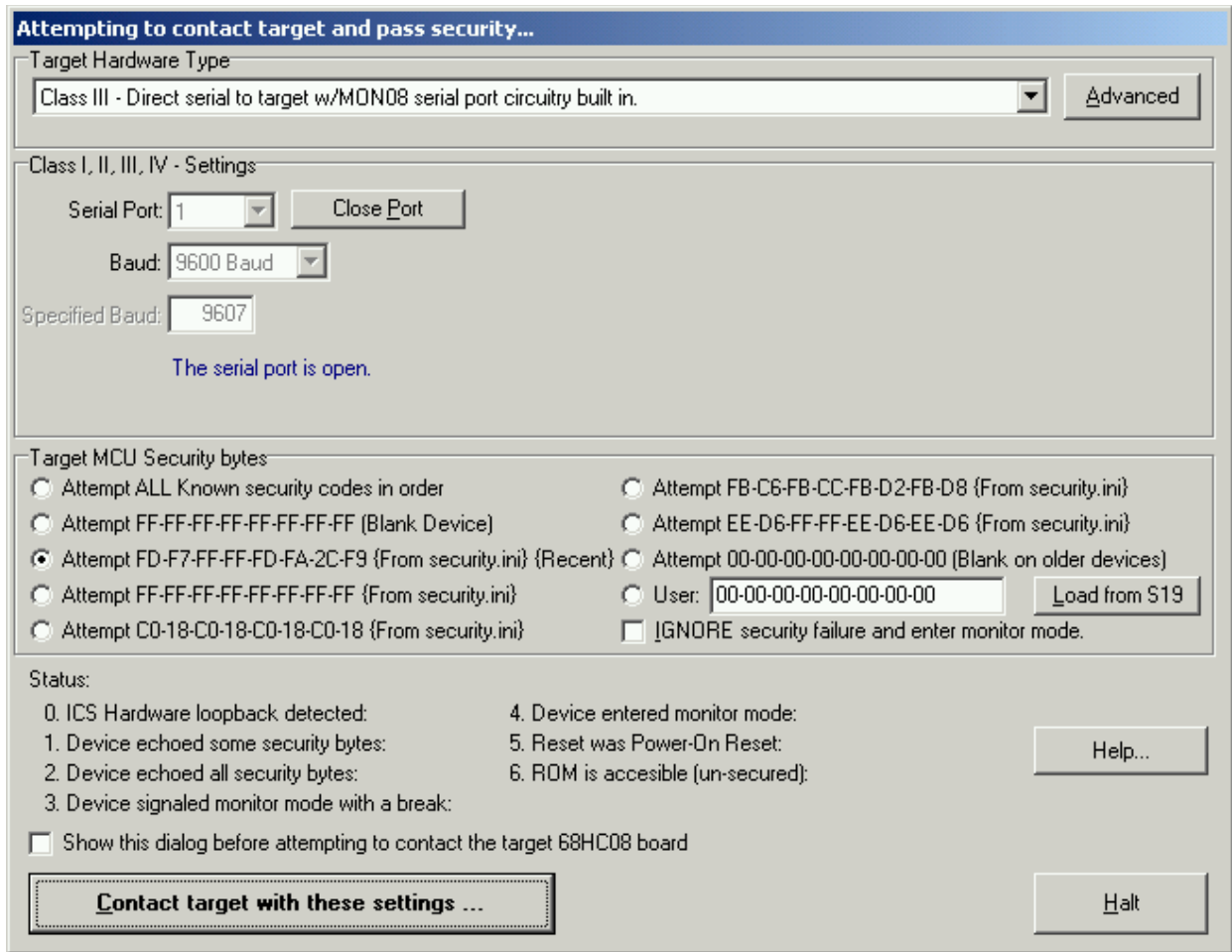


Figure 11. Select Port, Baud, and Security Bytes

Here are the main steps in programming the FLASH with PROG08SZ in normal monitor mode:

1. Launch P&E's WinIDE from the ICS08 software.
2. Open desired file or develop new code.
3. Assemble the file.
4. Attach MON08 pod between PC and target.
5. Click on programmer icon.
6. From Target Hardware Type, select Class III (see [Figure 10](#)).
7. Select the PC port and the appropriate baud rate (see [Figure 11](#)).
8. From Target MCU Security Bytes, select appropriate security codes or check the IGNORE security failure box.
9. Click Contact target with these settings...
10. Follow the instructions in the Power Cycle dialog window.
11. Select appropriate algorithm for the part (908_gt16_highspeed.08p in [Figure 12](#)).
12. Double-click on Erase module (see [Figure 12](#)). (Flash cannot be programmed unless first erased.)
13. Double-click on Specify S record and select file.
14. Double-click on Program module.
15. Double-click on Verify module. (Optional)
16. Double-click on Quit to exit the programmer.

At this point the FLASH memory on the MCU is programmed and ready for in-circuit debugging.

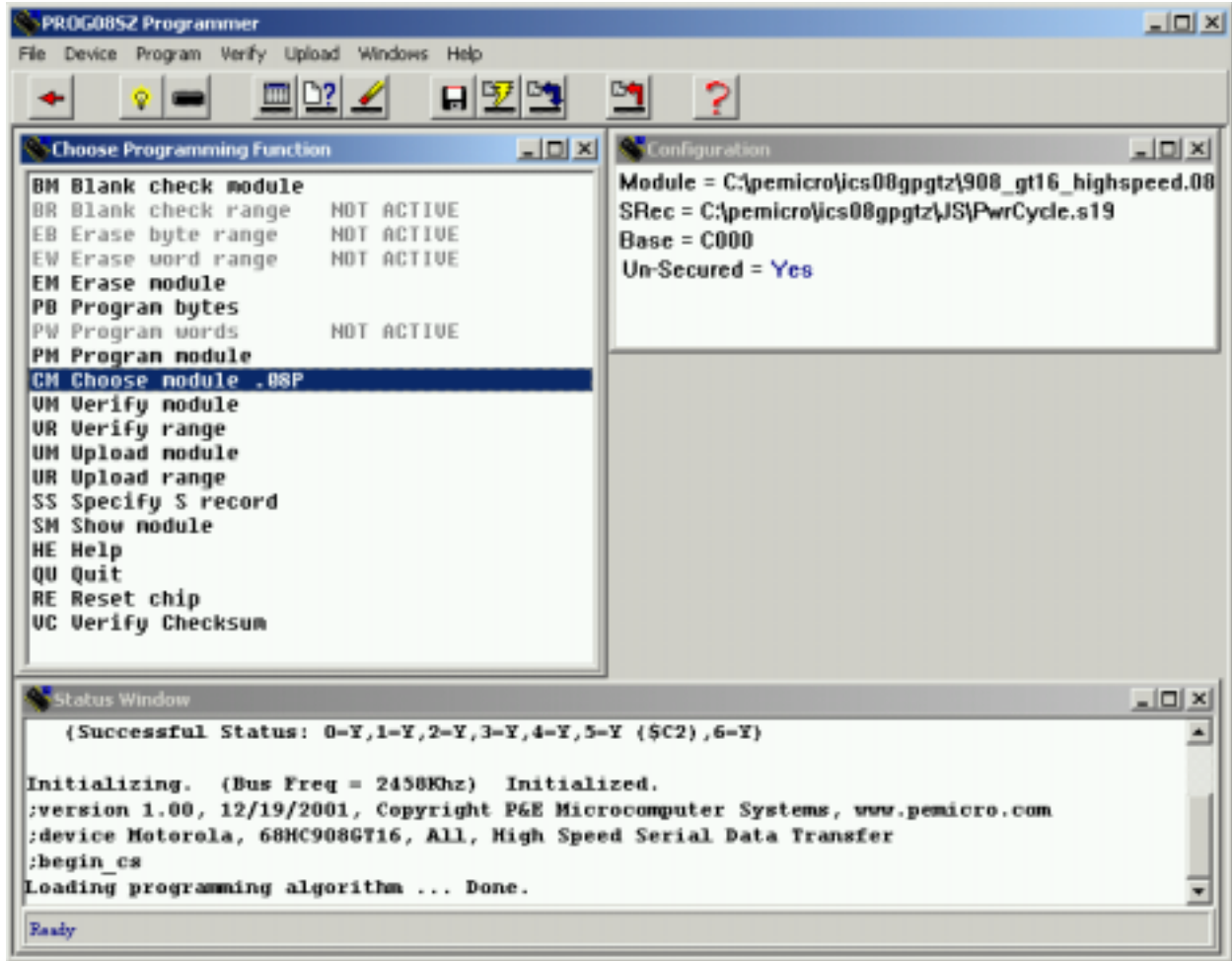


Figure 12. P&E's PROG08SZ Programmer Window

ICD08SZ

Getting into the ICD08SZ debugger is even simpler. With a MON08 interface between PC and target, select the In-Circuit Debugger icon from the WinIDE menu bar. Follow the instructions in the Power Cycle dialog box if using the Class III hardware type. The debugger establishes communications with the target and interrogates the memory spaces on the MCU. Various windows display register, variables, code, memory, and status information. See [Figure 13](#). Icons in the menu bar offer quick access to debugger functions.

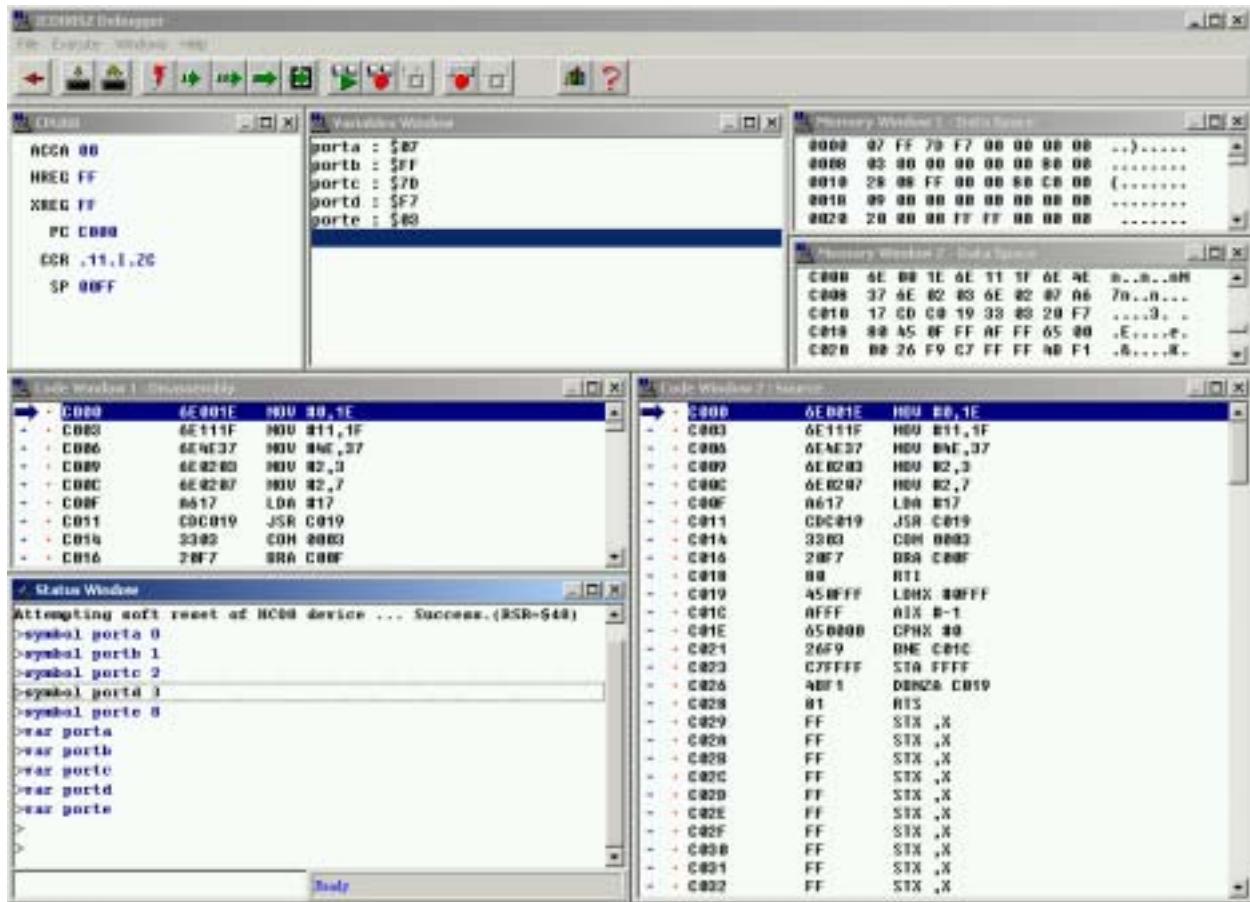


Figure 13. P&E's ICD08SZ Debugger Window

Metrowerks

An assembler, linker, and assembly source level debugger, Metrowerks' CodeWarrior Development Studio for 68HC08, Special Edition, is a free tool that can be upgraded to the functionality needed for the job. While the upgrades are available at graduated prices, the Special Edition version offers unlimited absolute assembly and provides debugging capabilities that make this free tool

a great bargain for serious programmers. This powerful tool combines a high-performance Integrated Development Environment with:

- Full-chip simulation and FLASH programming from P&E Microcomputer Systems
- A highly optimized ANSI C compiler and C source level debugger
- Automatic C code generation with Processor Expert from Unis

Launching a programming or debug session with the project-based CodeWarrior IDE is as simple as double-clicking on the project name (format is projectname.mcp) from your file storage. Starting a new project is a little more challenging, but the tutorials, FAQs, and Quick Start Guides are easy to follow and have you building a new project, using pre-built templates, in a short time. (See www.Metrowerks.com/MW/Develop/ and select “CodeWarrior Development Studio for HC08 for Microcontrollers”).

The following example illustrates how to program and debug an M68HC908 MCU from within the CodeWarrior IDE.

Here are the main steps in programming the FLASH with CodeWarrior in normal monitor mode and starting a debug session. This example was built with PEDebug as the project stationery and QT4 absolute assembly. This example also uses the low-cost MON08 circuit from [Figure 7](#) as the MON08 pod.

1. a. Launch the CodeWarrior CW08 software and create a new project, **or**
b. Double-click on your project file (projectname.mcp)

The Project Manager window appears. See [Figure 14](#).

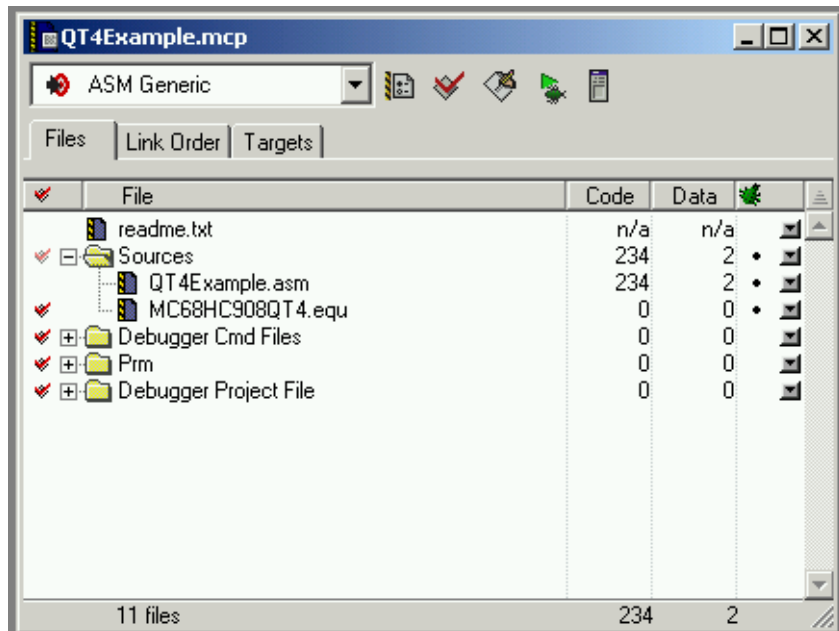


Figure 14. CodeWarrior Project Window

2. Click the + sign to expand the Sources folder.
3. Modify the source file if necessary.
4. Click the Debug icon (green arrow). The True-Time Simulator and Real-Time Debugger launches. **Figure 15.**

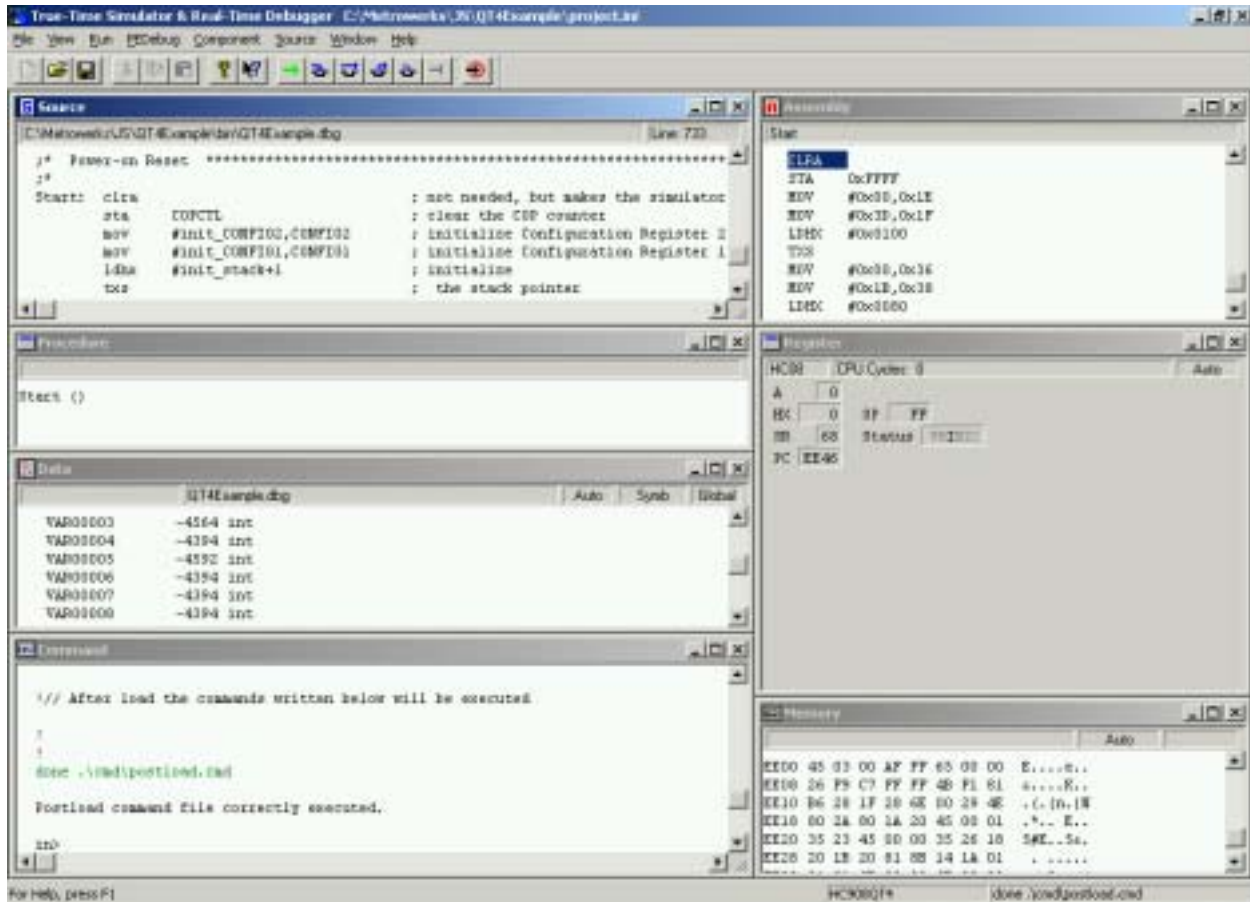


Figure 15. True-Time Simulator & Real-Time Debugger Window

5. Select the PEDebug pulldown menu and navigate to the appropriate device as shown in **Figure 16**.
6. Likewise, in the PEDebug pulldown menu, select Mode: In-Circuit Debug/Programming.

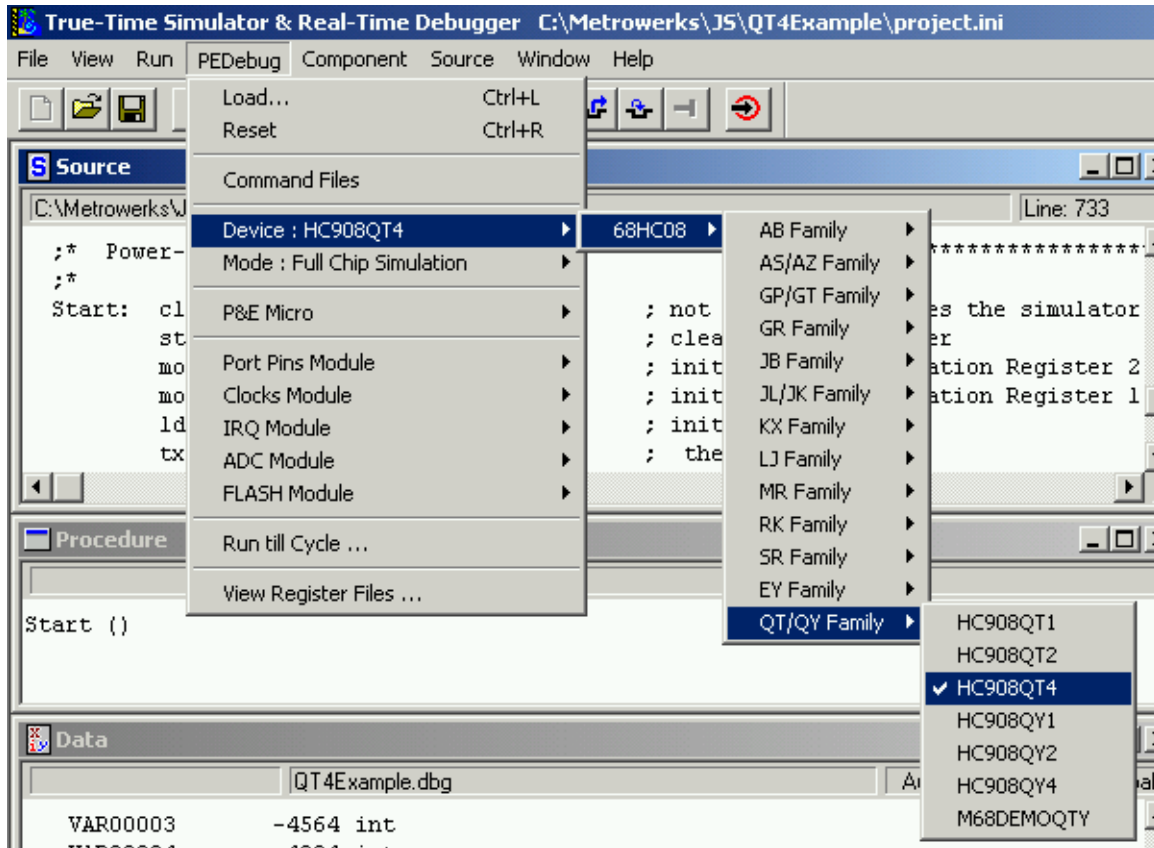


Figure 16. PEDebug Pulldown Menu

The PROG08SZ Attempting to contact target and pass security... window appears. (Refer to [Figure 11](#))

7. Select the appropriate class in Target Hardware Type (Class III for low-cost MON08 circuit from [Figure 7](#)) and baud rate.
8. Click Contact target with these settings...
9. Follow the Power Cycle dialog instructions.
10. Click Yes in Confirm window. ([Figure 17](#))
11. Click Yes in Erase and Program FLASH window. ([Figure 18](#))
12. Follow the subsequent Power Cycle dialog instructions as the scripted procedure automatically establishes communications, erases the FLASH if necessary, and programs the FLASH.

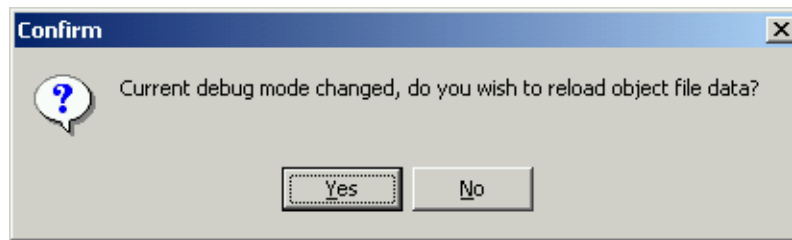


Figure 17. Confirm Window

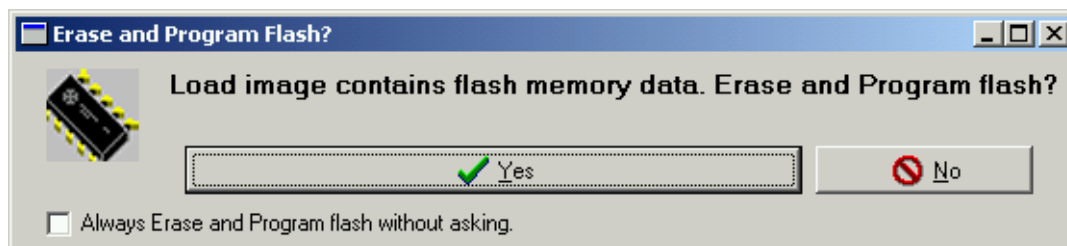


Figure 18. Erase and Program FLASH Window

At this point, the FLASH memory is programmed and ready for debug. The True-Time Simulator & Real-Time Debugger integrates the debugger tools from P&E Microcomputer Systems in this example. The windows look slightly different between the ICD08SZ and True-Time tools (compare [Figure 13](#) with [Figure 15](#)), but the same basic debugger (ICD08SZ) drives both.

Conclusion

Several aspects must be considered when implementing in-circuit FLASH programming and debugging in M68HC908 applications. The hardware to connect a personal computer to the target board (Cyclone, ICS, Multilink, custom pod), the physical connections to the target board, and the software to develop an application and program the MCU each have wide ranges of cost and complexity associated with them. Low-cost MON08 interfaces were examined, along with minimum pin connections to implement monitor mode. Freely available software (with the price of registering) to develop an application, program the memory, and debug the code was also discussed.

How to Reach Us:

Home Page:

www.freescale.com

E-mail:

support@freescale.com

USA/Europe or Locations Not Listed:

Freescale Semiconductor
 Technical Information Center, CH370
 1300 N. Alma School Road
 Chandler, Arizona 85224
 +1-800-521-6274 or +1-480-768-2130
support@freescale.com

Europe, Middle East, and Africa:

Freescale Halbleiter Deutschland GmbH
 Technical Information Center
 Schatzbogen 7
 81829 Muenchen, Germany
 +44 1296 380 456 (English)
 +46 8 52200080 (English)
 +49 89 92103 559 (German)
 +33 1 69 35 48 48 (French)
support@freescale.com

Japan:

Freescale Semiconductor Japan Ltd.
 Headquarters
 ARCO Tower 15F
 1-8-1, Shimo-Meguro, Meguro-ku,
 Tokyo 153-0064
 Japan
 0120 191014 or +81 3 5437 9125
support.japan@freescale.com

Asia/Pacific:

Freescale Semiconductor Hong Kong Ltd.
 Technical Information Center
 2 Dai King Street
 Tai Po Industrial Estate
 Tai Po, N.T., Hong Kong
 +800 2666 8080
support.asia@freescale.com

For Literature Requests Only:

Freescale Semiconductor Literature Distribution Center
 P.O. Box 5405
 Denver, Colorado 80217
 1-800-441-2447 or 303-675-2140
 Fax: 303-675-2150
LDCForFreescaleSemiconductor@hibbertgroup.com

Information in this document is provided solely to enable system and software implementers to use Freescale Semiconductor products. There are no express or implied copyright licenses granted hereunder to design or fabricate any integrated circuits or integrated circuits based on the information in this document. Freescale Semiconductor reserves the right to make changes without further notice to any products herein. Freescale Semiconductor makes no warranty, representation or guarantee regarding the suitability of its products for any particular purpose, nor does Freescale Semiconductor assume any liability arising out of the application or use of any product or circuit, and specifically disclaims any and all liability, including without limitation consequential or incidental damages. "Typical" parameters which may be provided in Freescale Semiconductor data sheets and/or specifications can and do vary in different applications and actual performance may vary over time. All operating parameters, including "Typicals" must be validated for each customer application by customer's technical experts. Freescale Semiconductor does not convey any license under its patent rights nor the rights of others. Freescale Semiconductor products are not designed, intended, or authorized for use as components in systems intended for surgical implant into the body, or other applications intended to support or sustain life, or for any other application in which the failure of the Freescale Semiconductor product could create a situation where personal injury or death may occur. Should Buyer purchase or use Freescale Semiconductor products for any such unintended or unauthorized application, Buyer shall indemnify and hold Freescale Semiconductor and its officers, employees, subsidiaries, affiliates, and distributors harmless against all claims, costs, damages, and expenses, and reasonable attorney fees arising out of, directly or indirectly, any claim of personal injury or death associated with such unintended or unauthorized use, even if such claim alleges that Freescale Semiconductor was negligent regarding the design or manufacture of the part.

