

APPLICATION NOTE

AN258
PTN3310/3311 board

Kristina Avrionova

2001 Oct 01

PTN3310/3311 board

AN258

PTN3310/3311 BOARD

The PTN3310/3311 board utilizes two logic translator from the PTN product portfolio— the PTN3311, a PECL to LVDS translator, and the PTN3310— a LVDS to PECL translator. For more information on the ICs, please, refer to their corresponding data sheets.

The board is designed for an optimum evaluation of both parts. With the assemble or disassemble of some resistors, the board could operate in the following modes— PTN3311 driving PTN3310, PTN3310 driving PTN3311, or both parts operating independently.

For the PTN3311 to drive the PTN3310, the input signal from the pattern generator must be connected to SMA J1 and SMA J2, and resistors R5 & R6, R13 & R14, and R15 & R16 must be mounted on the board, while resistors R21 & R22, R7 & R9, and R8 & R10 should be disassembled. The output signal could be taken to the oscilloscope via SMAs J7 and J8.

For the PTN3310 to drive PTN3311, the input signal must be connected to SMA J5 and SMA J6, with resistors R7 & R9, R8 & R10, and R21 and R22 assembled on the board, whereas R5 & R6, R13 & R14, and R15 & R16 should be dismounted. The output signal could be viewed via SMAs J3 and J4.

For the two parts to be evaluated independently, all resistors, except R8 and R10 should be mounted on the board. In this case the input

signal for the PTN3310 will be provided via SMAs J5 and J6, and for the PTN3311 it will be via SMAs J1 and J2. The corresponding outputs of the parts could be connected to oscilloscope through SMAs J7 & J8 and J3 & J4 for PTN3310 and PTN3311 respectively.

In the following appendix, attached are:

- Bill of materials
- Schematic
- Top layer layout and silk screen

SUPPORT

For further information, please, check www.philipslogic.com/networking or e-mail to PTN-Support@philips.com

To inquire about the availability of this board, please visit <http://www.philipslogic.com/products/ptn/evalboards/rqstptn>

To learn about other PTN boards, please visit <http://www.philipslogic.com/products/ptn/evalboards>

PTN3310/3311 board

AN258

APPENDIX

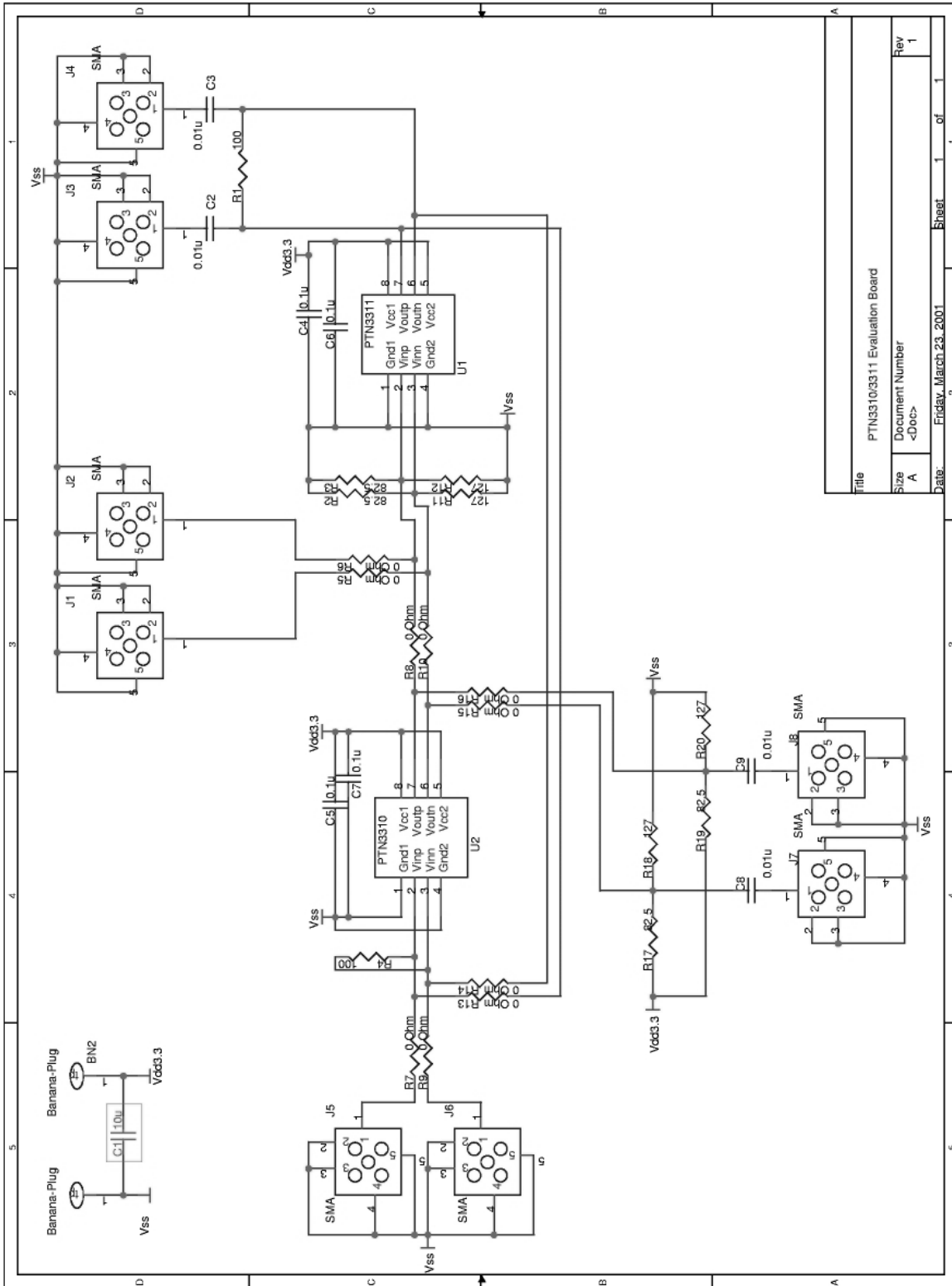
BILL OF MATERIAL

Item	Quantity	Reference	Part
1	2	BN2,BN1	Banana-Plug
2	1	C1	Capacitor, 10 μ F
3	8	C2,C3,C4,C5,C10,C11,C12, C13	Capacitor, 0.01 μ F
4	4	C6,C7,C8,C9	Capacitor, 0.1 μ F
5	8	J1,J2,J3,J4,J5,J6,J7,J8	SMA Connector
6	3	R4,R1	Resistor, 100 Ω
7	4	R2,R3,R17,R19	Resistor, 82.5 Ω
8	12	R5,R6,R7,R8,R9,R10,R13, R14,R15,R16,R21,R22	Resistor, 0 Ω
9	4	R11,R12,R18,R20	Resistor, R127 Ω
10	1	U1, PTN3311	PECL-LVDS Translator
11	1	U2, PTN3310	LVDS-PECL Translator

PTN3310/3311 board

AN258

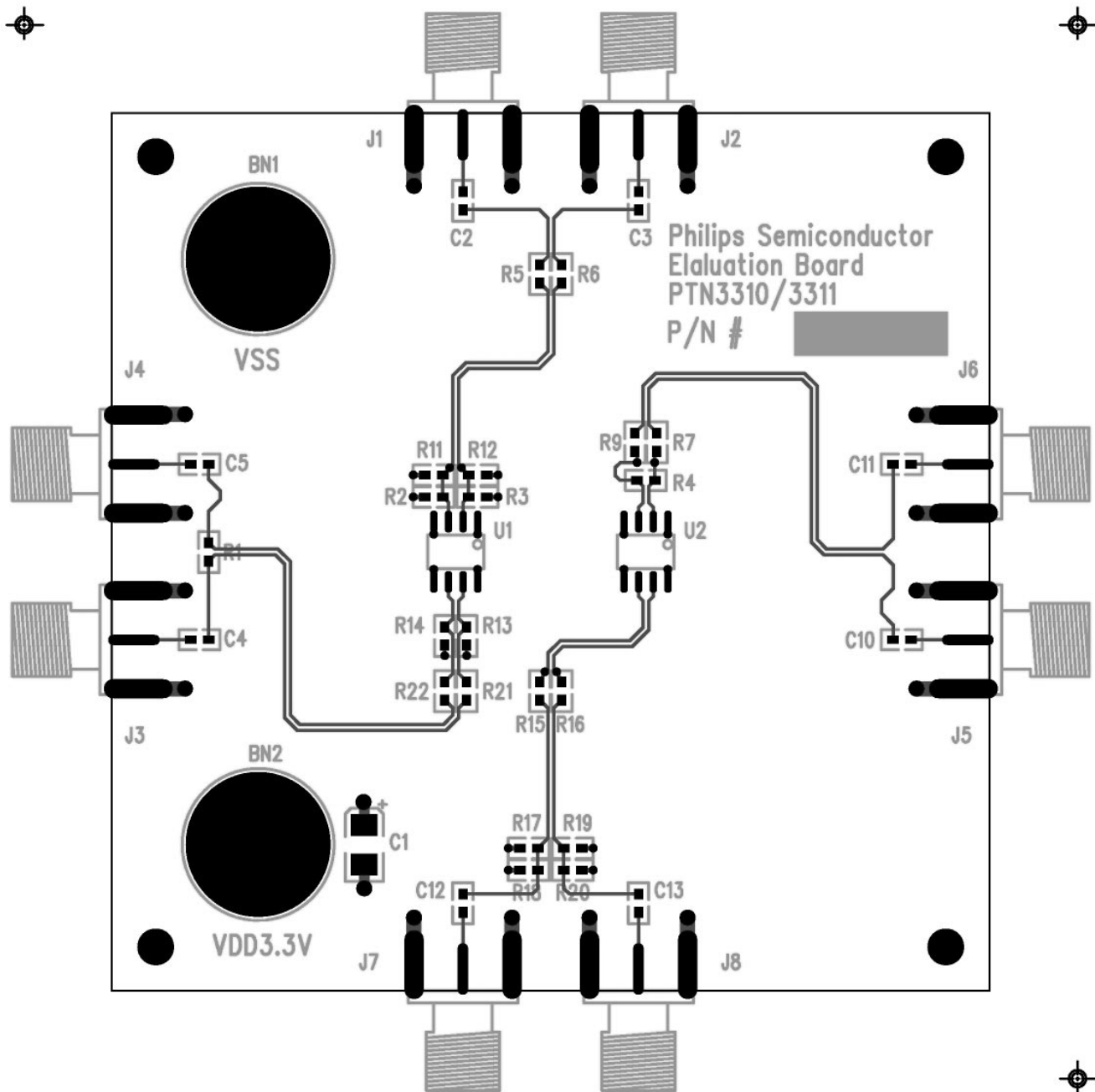
SCHEMATIC



PTN3310/3311 board

AN258

TOP LAYER LAYOUT AND SILK SCREEN



PTN3310/3311 board

AN258

Definitions

Short-form specification — The data in a short-form specification is extracted from a full data sheet with the same type number and title. For detailed information see the relevant data sheet or data handbook.

Limiting values definition — Limiting values given are in accordance with the Absolute Maximum Rating System (IEC 60134). Stress above one or more of the limiting values may cause permanent damage to the device. These are stress ratings only and operation of the device at these or at any other conditions above those given in the Characteristics sections of the specification is not implied. Exposure to limiting values for extended periods may affect device reliability.

Application information — Applications that are described herein for any of these products are for illustrative purposes only. Philips Semiconductors make no representation or warranty that such applications will be suitable for the specified use without further testing or modification.

Disclaimers

Life support — These products are not designed for use in life support appliances, devices or systems where malfunction of these products can reasonably be expected to result in personal injury. Philips Semiconductors customers using or selling these products for use in such applications do so at their own risk and agree to fully indemnify Philips Semiconductors for any damages resulting from such application.

Right to make changes — Philips Semiconductors reserves the right to make changes, without notice, in the products, including circuits, standard cells, and/or software, described or contained herein in order to improve design and/or performance. Philips Semiconductors assumes no responsibility or liability for the use of any of these products, conveys no license or title under any patent, copyright, or mask work right to these products, and makes no representations or warranties that these products are free from patent, copyright, or mask work right infringement, unless otherwise specified.

Contact information

For additional information please visit
<http://www.semiconductors.philips.com>. Fax: +31 40 27 24825

For sales offices addresses send e-mail to:
sales.addresses@www.semiconductors.philips.com

© Koninklijke Philips Electronics N.V. 2001
All rights reserved. Printed in U.S.A.

Date of release: 10-01

Document order number:

9397 750 09056

Let's make things better.