



SOT1697-1

QFP64, plastic, quad flat package; 64 terminals; 0.8 mm pitch;
14 mm x 14 mm x 2.2 mm body

12 November 2019

Package information

1 Package summary

Terminal position code	Q (quad)
Package type descriptive code	QFP64
Package style descriptive code	QFP (quad flat package)
Package body material type	P (plastic)
JEDEC package outline code	PQFP-G64
Mounting method type	S (surface mount)
Issue date	19-01-2016
Manufacturer package code	98ASB42844B

Table 1. Package summary

Parameter	Min	Nom	Max	Unit
package length	13.9	14	14.1	mm
package width	13.9	14	14.1	mm
package height	2	2.2	2.4	mm
nominal pitch	-	0.8	-	mm
actual quantity of termination	-	64	-	



2 Package outline

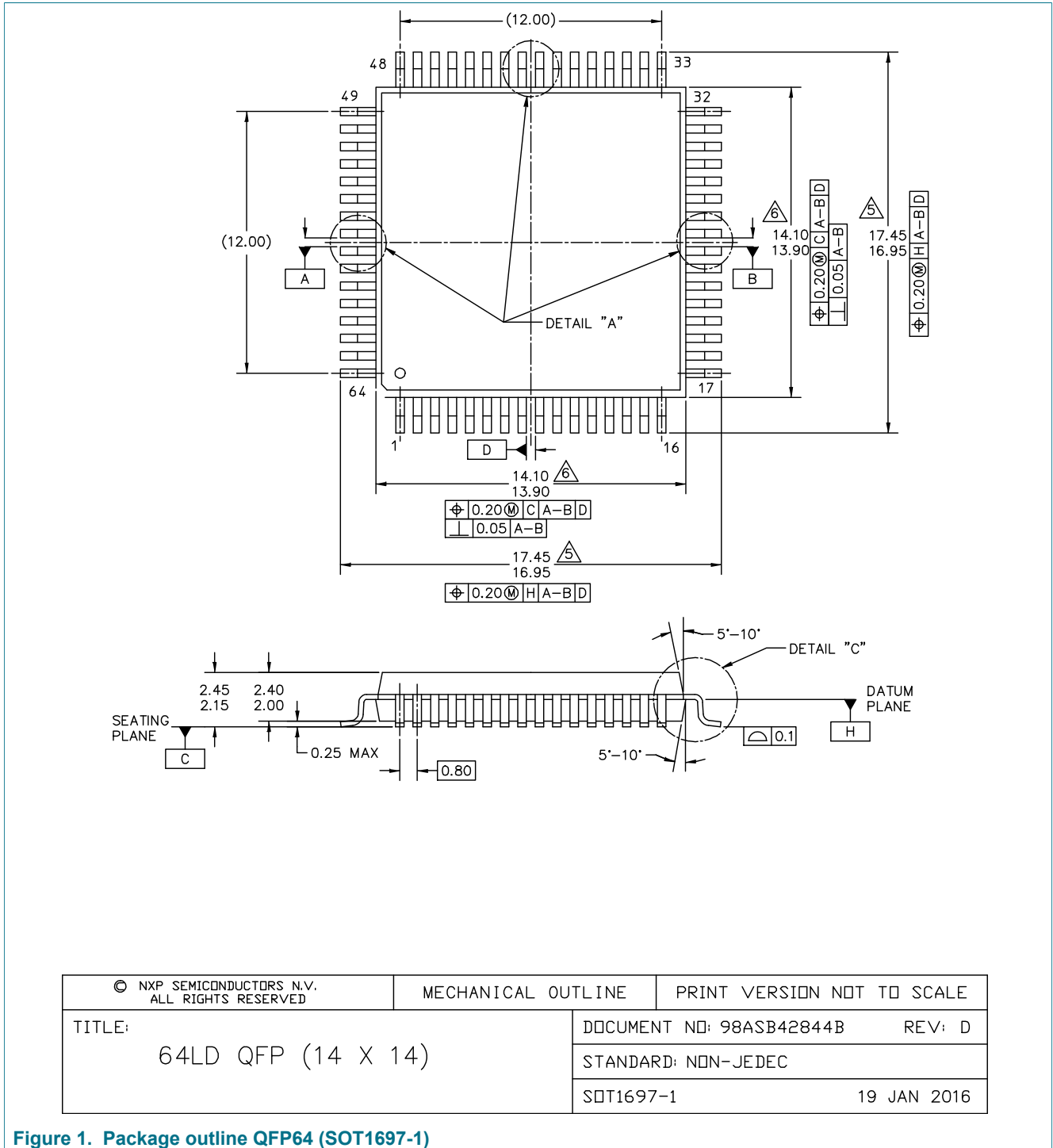


Figure 1. Package outline QFP64 (SOT1697-1)

QFP64, plastic, quad flat package; 64 terminals; 0.8 mm pitch; 14 mm x 14 mm x 2.2 mm body

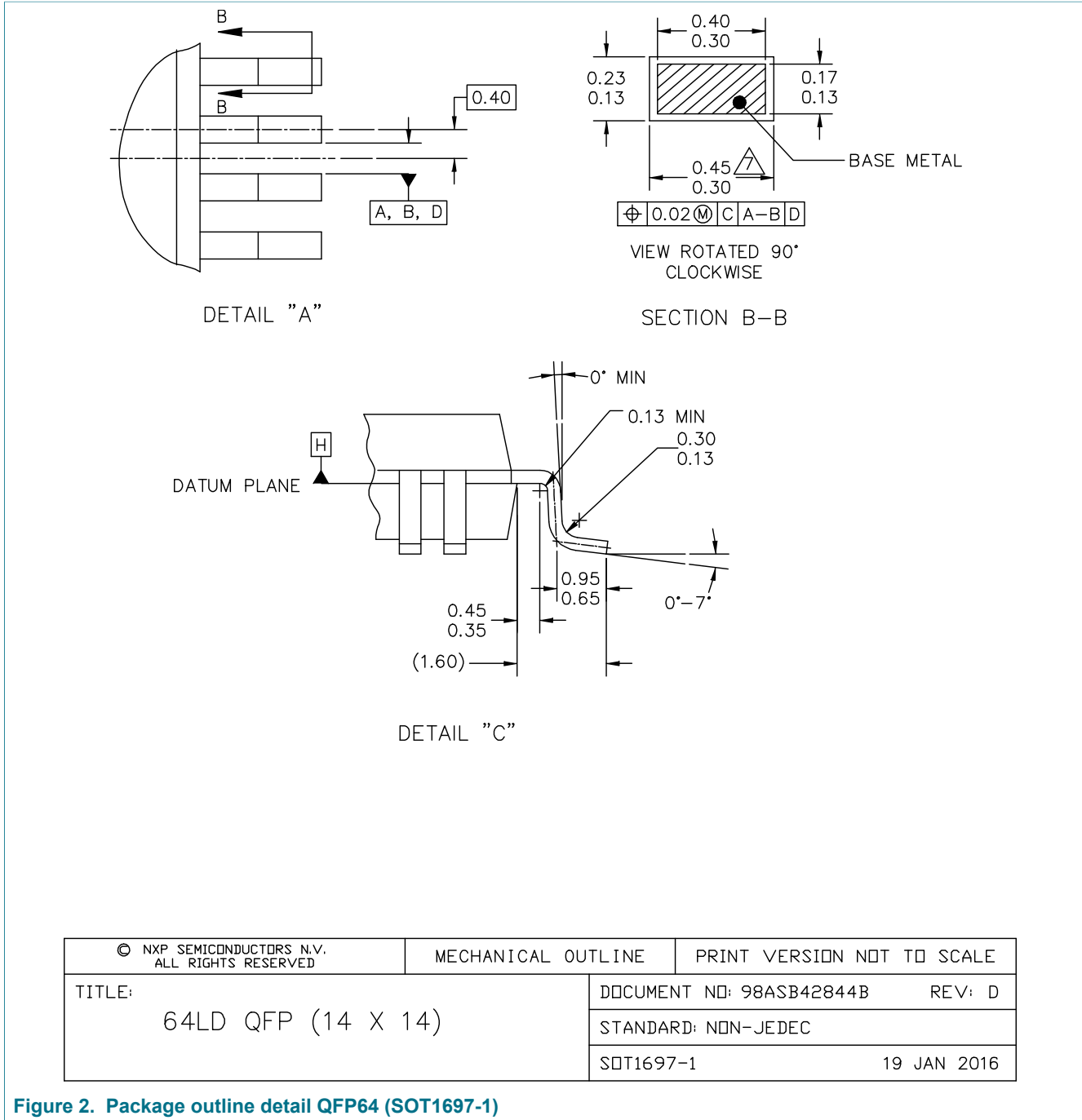


Figure 2. Package outline detail QFP64 (SOT1697-1)

QFP64, plastic, quad flat package; 64 terminals; 0.8 mm pitch; 14 mm x 14 mm x 2.2 mm body

NOTES:

1. DIMENSIONING AND TOLERANCING PER ASME Y14.5M, 1994.
 2. CONTROLLING DIMENSION: MILLIMETER.
 3. DATUM PLANE -H- IS LOCATED AT BOTTOM OF LEAD AND IS COINCIDENT WITH THE LEAD WHERE THE LEAD EXITS THE PLASTIC BODY AT THE BOTTOM OF THE PARTING LINE.
 4. DATUMS A-B AND -D- TO BE DETERMINED AT DATUM PLANE -H-.
- △ DIMENSIONS TO BE DETERMINED AT SEATING PLANE -C-.
- △ DIMENSIONS DO NOT INCLUDE MOLD PROTRUSION. ALLOWABLE PROTRUSION IS 0.25mm PER SIDE. DIMENSIONS DO INCLUDE MOLD MISMATCH AND ARE DETERMINED AT DATUM PLANE -H-.
- △ DIMENSION DOES NOT INCLUDE DAMBAR PROTRUSION. ALLOWABLE DAMBAR PROTRUSION SHALL BE 0.08mm TOTAL IN EXCESS OF THE DIMENSION AT MAXIMUM MATERIAL CONDITION. DAMBAR CANNOT BE LOCATED ON THE LOWER RADIUS OR THE FOOT.

© NXP SEMICONDUCTORS N.V. ALL RIGHTS RESERVED	MECHANICAL OUTLINE	PRINT VERSION NOT TO SCALE	
TITLE: 64LD QFP (14 X 14)	DOCUMENT NO: 98ASB42844B		REV: D
	STANDARD: NON-JEDEC		
	SOT1697-1		19 JAN 2016

Figure 3. Package outline note QFP64 (SOT1697-1)

3 Legal information

Disclaimers

Limited warranty and liability — Information in this document is believed to be accurate and reliable. However, NXP Semiconductors does not give any representations or warranties, expressed or implied, as to the accuracy or completeness of such information and shall have no liability for the consequences of use of such information. NXP Semiconductors takes no responsibility for the content in this document if provided by an information source outside of NXP Semiconductors.

In no event shall NXP Semiconductors be liable for any indirect, incidental, punitive, special or consequential damages (including - without limitation - lost profits, lost savings, business interruption, costs related to the removal or replacement of any products or rework charges) whether or not such damages are based on tort (including negligence), warranty, breach of contract or any other legal theory.

Notwithstanding any damages that customer might incur for any reason whatsoever, NXP Semiconductors' aggregate and cumulative liability towards customer for the products described herein shall be limited in accordance with the Terms and conditions of commercial sale of NXP Semiconductors.

Right to make changes — NXP Semiconductors reserves the right to make changes to information published in this document, including without limitation specifications and product descriptions, at any time and without notice. This document supersedes and replaces all information supplied prior to the publication hereof.

QFP64, plastic, quad flat package; 64 terminals; 0.8 mm pitch; 14 mm x 14 mm x 2.2 mm body

Contents

1 Package summary1
2 Package outline2
3 Legal information5