

SOT1970-1

SIL2, single in-line package, 2 terminals, 4.0 mm pitch, 6.9 mm x 8.9 mm x 3.3 mm body

6 May 2021

Package information

1 Package summary

Terminal position code	S (single)
Package type descriptive code	SIL2
Package style descriptive code	SIP (single in-line package)
Package body material type	P (plastic)
Mounting method type	T (through-hole mount)
Issue date	04-05-2021
Manufacturer package code	98ASA01520D

Table 1. Package summary

Parameter	Min	Nom	Max	Unit
package length	6.7	6.9	7.1	mm
package width	8.7	8.9	9.1	mm
seated height	3.1	3.3	3.5	mm
nominal pitch	-	4	-	mm
actual quantity of termination	-	2	-	



2 Package outline

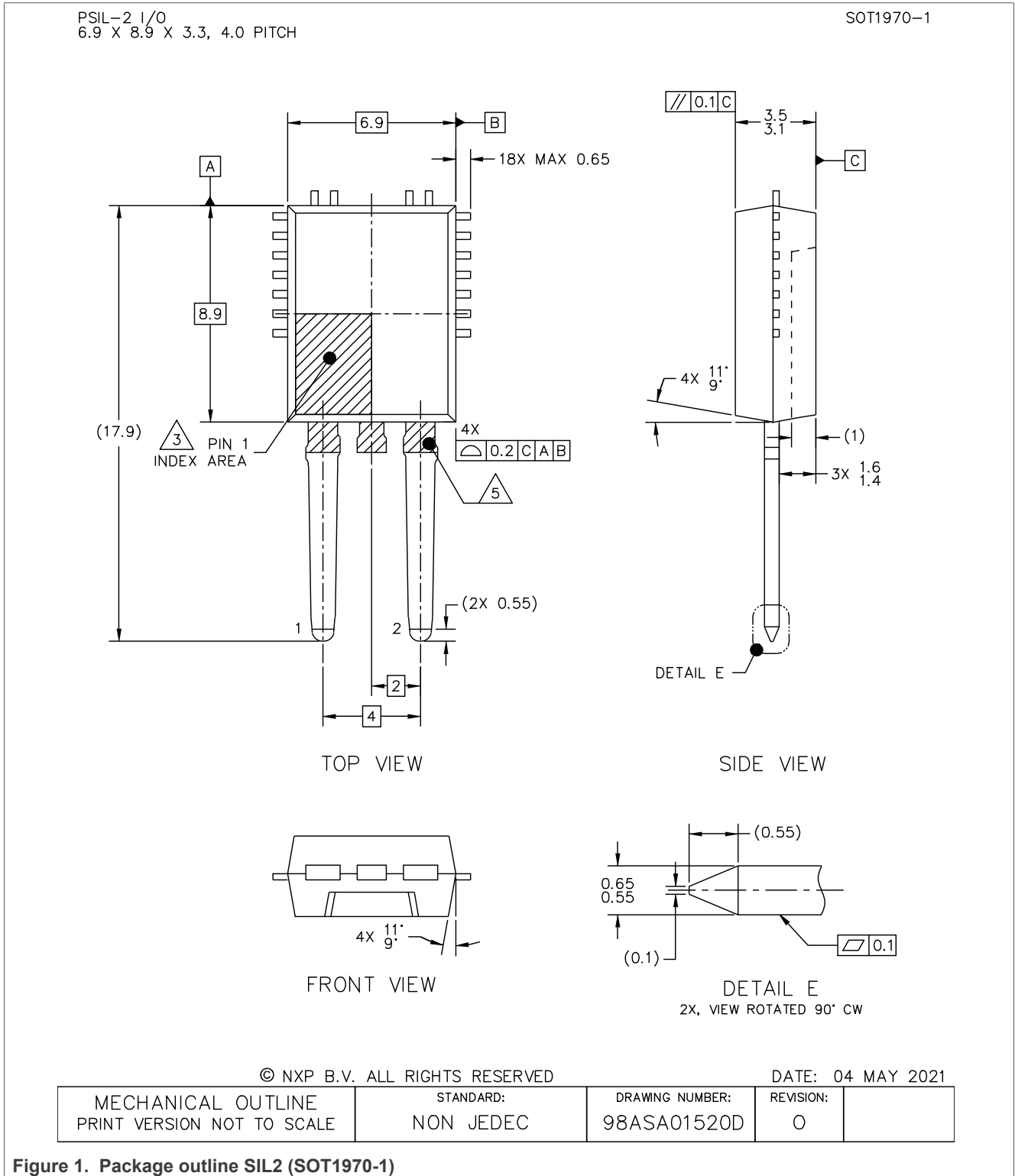
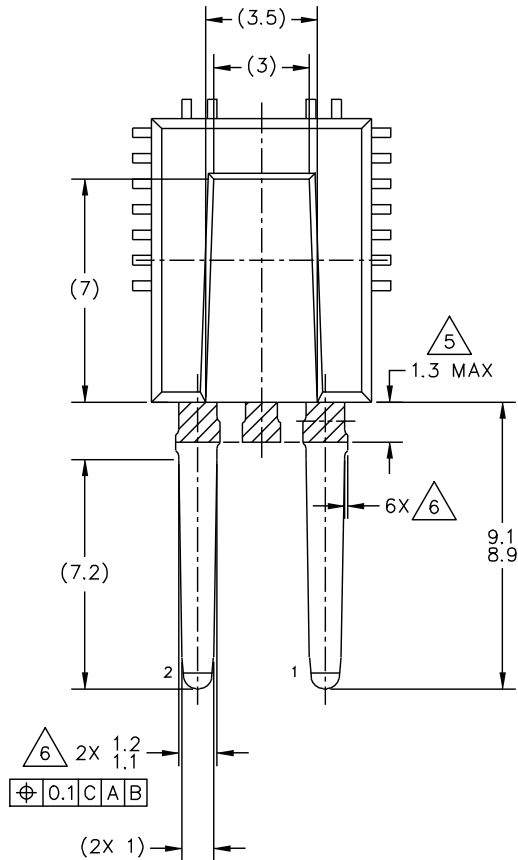


Figure 1. Package outline SIL2 (SOT1970-1)

SIL2, single in-line package, 2 terminals, 4.0 mm pitch, 6.9 mm x 8.9 mm x 3.3 mm body

PSIL-2 I/O
6.9 X 8.9 X 3.3, 4.0 PITCH

SOT1970-1



BOTTOM VIEW

© NXP B.V. ALL RIGHTS RESERVED

DATE: 04 MAY 2021

MECHANICAL OUTLINE PRINT VERSION NOT TO SCALE	STANDARD: NON JEDEC	DRAWING NUMBER: 98ASA01520D	REVISION: 0	
--	------------------------	--------------------------------	----------------	--

Figure 2. Package outline detail SIL2 (SOT1970-1)

SIL2, single in-line package, 2 terminals, 4.0 mm pitch, 6.9 mm x 8.9 mm x 3.3 mm body

PSIL-2 1/0
6.9 X 8.9 X 3.3, 4.0 PITCH

SOT1970-1

NOTES:

1. ALL DIMENSIONS ARE IN MILLIMETER.
2. DIMENSIONING AND TOLERANCING AS PER ASME Y14.5M-1994.
3. PIN 1 FEATURE SHAPE, SIZE AND LOCATION MAY VARY.
4. PACKAGE BODY SIZE DOES NOT INCLUDE MOLD FLASH. MOLD FLASH SHALL NOT EXCEED 0.13 PER SIDE. THESE DIMENSIONS ARE MEASURED AT THE OUTERMOST EXTREME OF THE PLASTIC BODY.
5. HATCHED AREA REPRESENT ALLOWABLE MOLD FLASH OF 1.3 MAX.
6. LEAD SHOULDER DOES NOT INCLUDE DAMBAR PROTRUSION. ALLOWABLE DAMBAR PROTRUSION SHALL BE 0.15 TOTAL IN EXCESS OF THE LEAD SHOULDER AT MAXIMUM MATERIAL CONDITION.

© NXP B.V. ALL RIGHTS RESERVED

DATE: 04 MAY 2021

MECHANICAL OUTLINE PRINT VERSION NOT TO SCALE	STANDARD: NON JEDEC	DRAWING NUMBER: 98ASA01520D	REVISION: 0	
--	------------------------	--------------------------------	----------------	--

Figure 3. Package outline note SIL2 (SOT1970-1)

3 Legal information

Disclaimers

Limited warranty and liability — Information in this document is believed to be accurate and reliable. However, NXP Semiconductors does not give any representations or warranties, expressed or implied, as to the accuracy or completeness of such information and shall have no liability for the consequences of use of such information. NXP Semiconductors takes no responsibility for the content in this document if provided by an information source outside of NXP Semiconductors.

In no event shall NXP Semiconductors be liable for any indirect, incidental, punitive, special or consequential damages (including - without limitation - lost profits, lost savings, business interruption, costs related to the removal or replacement of any products or rework charges) whether or not such damages are based on tort (including negligence), warranty, breach of contract or any other legal theory.

Notwithstanding any damages that customer might incur for any reason whatsoever, NXP Semiconductors' aggregate and cumulative liability towards customer for the products described herein shall be limited in accordance with the Terms and conditions of commercial sale of NXP Semiconductors.

Right to make changes — NXP Semiconductors reserves the right to make changes to information published in this document, including without limitation specifications and product descriptions, at any time and without notice. This document supersedes and replaces all information supplied prior to the publication hereof.

SIL2, single in-line package, 2 terminals, 4.0 mm pitch, 6.9 mm x 8.9 mm x 3.3 mm body

Contents

1 Package summary1
2 Package outline2
3 Legal information5