

# SOT2078-1

VSON6, very thin small outline package, no leads, 6 terminals,  
0.5 mm pitch, 1.4 mm x 1.4 mm x 0.85 mm body

7 September 2020

Package information

## 1 Package summary

<b>Terminal position code</b>	B (bottom)
<b>Package type descriptive code</b>	VSON6
<b>Package style descriptive code</b>	VSON (very thin small outline; no leads)
<b>Package body material type</b>	P (plastic)
<b>Mounting method type</b>	S (surface mount)
<b>Issue date</b>	26-08-2020
<b>Manufacturer package code</b>	98ASA01688D

Table 1. Package summary

Parameter	Min	Nom	Max	Unit
package length	1.3	1.4	1.5	mm
package width	1.3	1.4	1.5	mm
package height	0.8	0.85	0.9	mm
nominal pitch	-	0.5	-	mm
actual quantity of termination	-	6	-	



VSON6, very thin small outline package, no leads, 6 terminals, 0.5 mm pitch, 1.4 mm x 1.4 mm x 0.85 mm body

2 Package outline

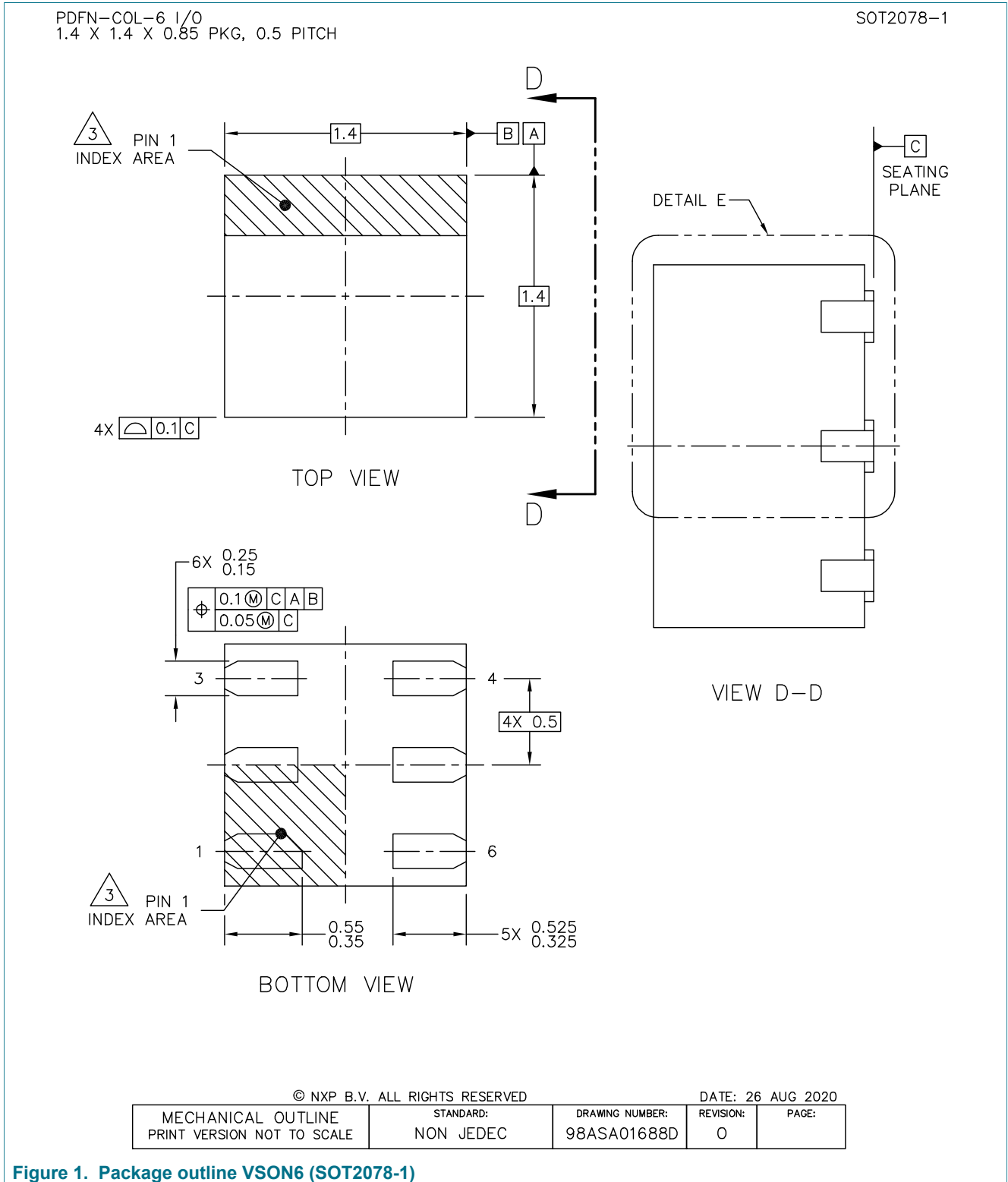
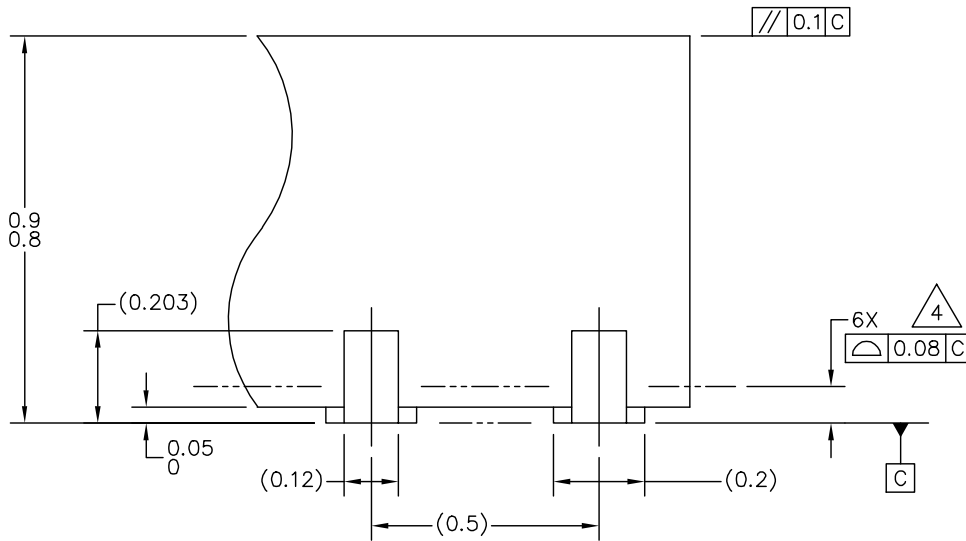


Figure 1. Package outline VSON6 (SOT2078-1)

VSON6, very thin small outline package, no leads, 6 terminals, 0.5 mm pitch, 1.4 mm x 1.4 mm x 0.85 mm body

PDFN-COL-6 I/O  
1.4 X 1.4 X 0.85 PKG, 0.5 PITCH

SOT2078-1



DETAIL E  
VIEW ROTATED 90°CW

© NXP B.V. ALL RIGHTS RESERVED

DATE: 26 AUG 2020

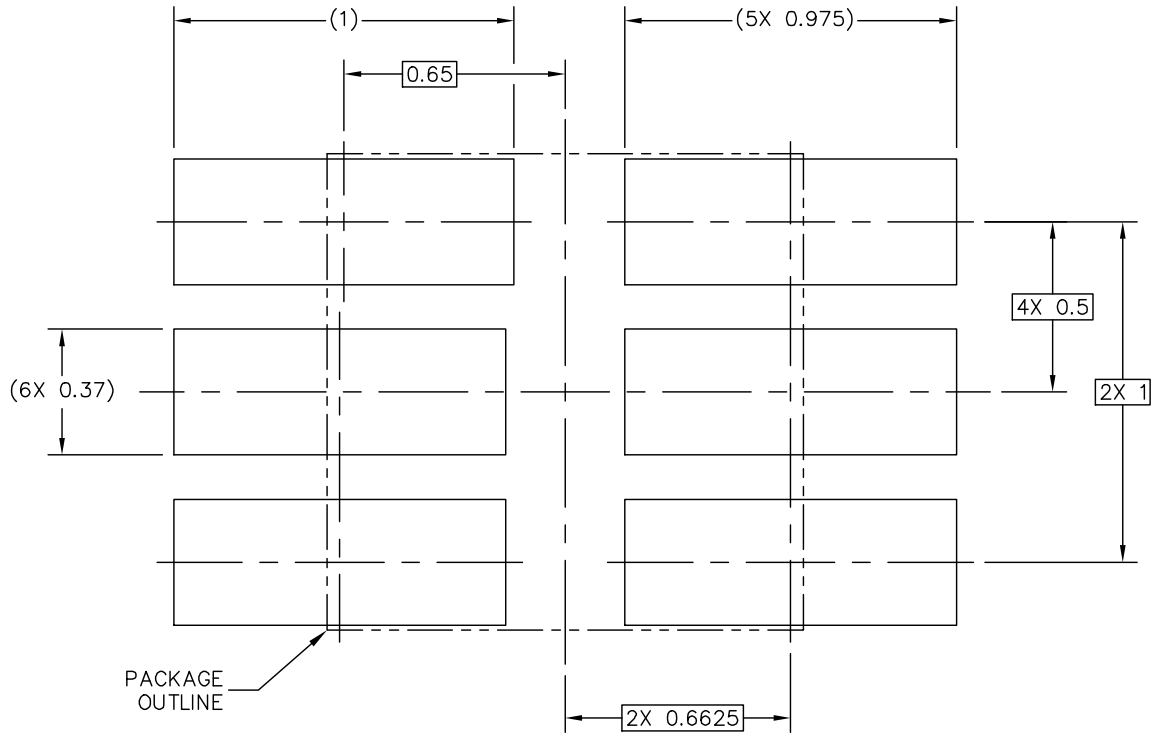
MECHANICAL OUTLINE PRINT VERSION NOT TO SCALE	STANDARD: NON JEDEC	DRAWING NUMBER: 98ASA01688D	REVISION: 0	PAGE:
--	------------------------	--------------------------------	----------------	-------

Figure 2. Package outline detail of VSON6 (SOT2078-1)

3 Soldering

PDFN-COL-6 I/O  
1.4 X 1.4 X 0.85 PKG, 0.5 PITCH

SOT2078-1



PCB DESIGN GUIDELINES – SOLDER MASK OPENING PATTERN

THIS SHEET SERVES ONLY AS A GUIDELINE TO HELP DEVELOP A USER SPECIFIC SOLUTION. DEVELOPMENT EFFORT WILL STILL BE REQUIRED BY END USERS TO OPTIMIZE PCB MOUNTING PROCESSES AND BOARD DESIGN IN ORDER TO MEET INDIVIDUAL/SPECIFIC REQUIREMENTS.

© NXP B.V. ALL RIGHTS RESERVED

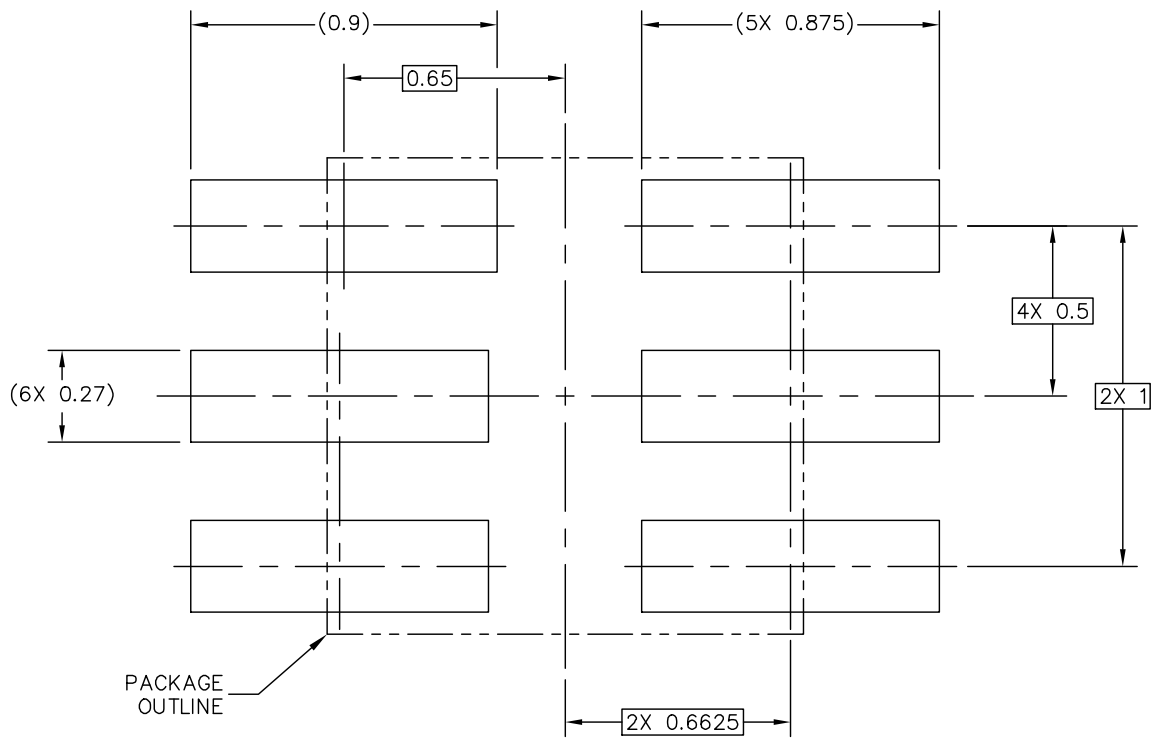
DATE: 26 AUG 2020

MECHANICAL OUTLINE PRINT VERSION NOT TO SCALE	STANDARD: NON JEDEC	DRAWING NUMBER: 98ASA01688D	REVISION: 0	PAGE:
--	------------------------	--------------------------------	----------------	-------

Figure 3. Reflow soldering footprint part1 for VSON6 (SOT2078-1)

PDFN-COL-6 I/O  
1.4 X 1.4 X 0.85 PKG, 0.5 PITCH

SOT2078-1



PCB DESIGN GUIDELINES – I/O PADS AND SOLDERABLE AREA

THIS SHEET SERVES ONLY AS A GUIDELINE TO HELP DEVELOP A USER SPECIFIC SOLUTION. DEVELOPMENT EFFORT WILL STILL BE REQUIRED BY END USERS TO OPTIMIZE PCB MOUNTING PROCESSES AND BOARD DESIGN IN ORDER TO MEET INDIVIDUAL/SPECIFIC REQUIREMENTS.

© NXP B.V. ALL RIGHTS RESERVED

DATE: 26 AUG 2020

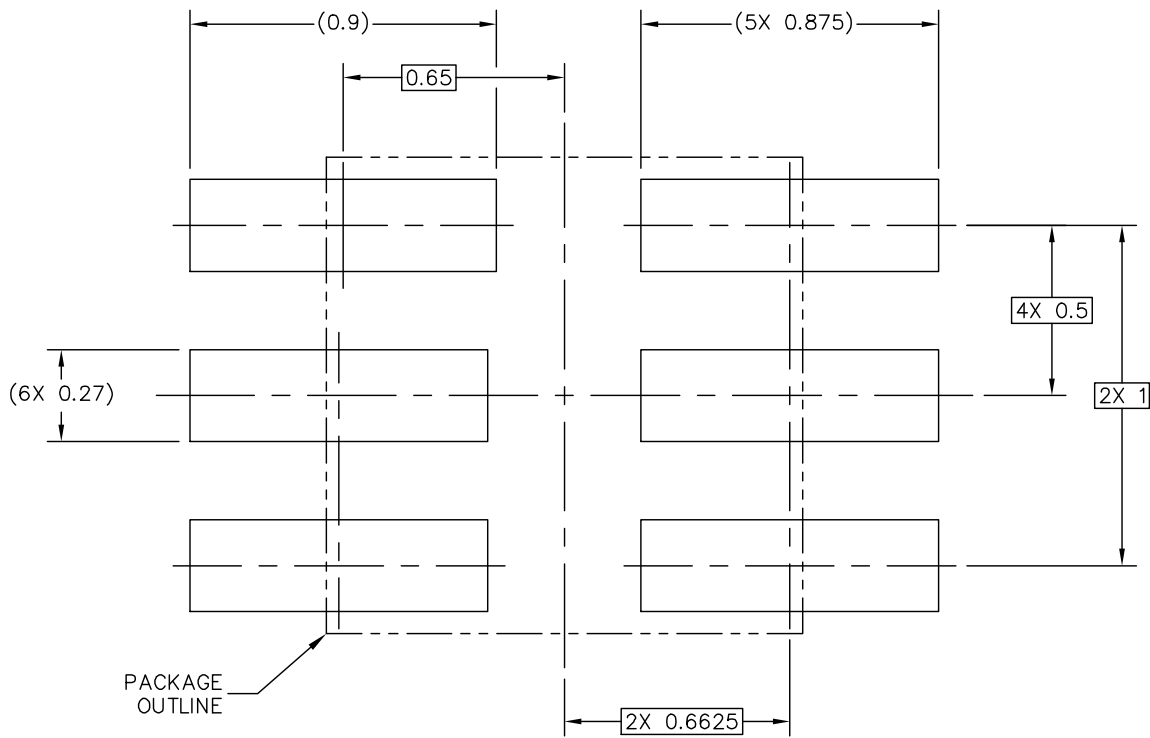
MECHANICAL OUTLINE PRINT VERSION NOT TO SCALE	STANDARD: NON JEDEC	DRAWING NUMBER: 98ASA01688D	REVISION: 0	PAGE:
--	------------------------	--------------------------------	----------------	-------

Figure 4. Reflow soldering footprint part2 for VSON6 (SOT2078-1)

VSON6, very thin small outline package, no leads, 6 terminals, 0.5 mm pitch, 1.4 mm x 1.4 mm x 0.85 mm body

PDFN-COL-6 I/O  
1.4 X 1.4 X 0.85 PKG, 0.5 PITCH

SOT2078-1



RECOMMENDED STENCIL THICKNESS 0.1

PCB DESIGN GUIDELINES – SOLDER PASTE STENCIL

THIS SHEET SERVES ONLY AS A GUIDELINE TO HELP DEVELOP A USER SPECIFIC SOLUTION. DEVELOPMENT EFFORT WILL STILL BE REQUIRED BY END USERS TO OPTIMIZE PCB MOUNTING PROCESSES AND BOARD DESIGN IN ORDER TO MEET INDIVIDUAL/SPECIFIC REQUIREMENTS.

© NXP B.V. ALL RIGHTS RESERVED

DATE: 26 AUG 2020

MECHANICAL OUTLINE PRINT VERSION NOT TO SCALE	STANDARD: NON JEDEC	DRAWING NUMBER: 98ASA01688D	REVISION: 0	PAGE:
--	------------------------	--------------------------------	----------------	-------

Figure 5. Reflow soldering footprint part3 for VSON6 (SOT2078-1)

VSON6, very thin small outline package, no leads, 6 terminals, 0.5 mm pitch, 1.4 mm x 1.4 mm x 0.85 mm body

PDFN-COL-6 I/O  
1.4 X 1.4 X 0.85 PKG, 0.5 PITCH

SOT2078-1

NOTES:

1. ALL DIMENSIONS ARE IN MILLIMETERS.
2. DIMENSIONING AND TOLERANCING PER ASME Y14.5M-1994.
3. PIN 1 FEATURE SHAPE, SIZE AND LOCATION MAY VARY.
4. COPLANARITY APPLIES TO LEADS.
5. MIN. METAL GAP SHOULD BE 0.15 MM.

© NXP B.V. ALL RIGHTS RESERVED		DATE: 26 AUG 2020		
MECHANICAL OUTLINE PRINT VERSION NOT TO SCALE	STANDARD: NON JEDEC	DRAWING NUMBER: 98ASA01688D	REVISION: 0	PAGE:

Figure 6. Package outline note VSON6 (SOT2078-1)

## 4 Legal information

---

### Disclaimers

**Limited warranty and liability** — Information in this document is believed to be accurate and reliable. However, NXP Semiconductors does not give any representations or warranties, expressed or implied, as to the accuracy or completeness of such information and shall have no liability for the consequences of use of such information. NXP Semiconductors takes no responsibility for the content in this document if provided by an information source outside of NXP Semiconductors.

In no event shall NXP Semiconductors be liable for any indirect, incidental, punitive, special or consequential damages (including - without limitation - lost profits, lost savings, business interruption, costs related to the removal or replacement of any products or rework charges) whether or not such damages are based on tort (including negligence), warranty, breach of contract or any other legal theory.

Notwithstanding any damages that customer might incur for any reason whatsoever, NXP Semiconductors' aggregate and cumulative liability towards customer for the products described herein shall be limited in accordance with the Terms and conditions of commercial sale of NXP Semiconductors.

**Right to make changes** — NXP Semiconductors reserves the right to make changes to information published in this document, including without limitation specifications and product descriptions, at any time and without notice. This document supersedes and replaces all information supplied prior to the publication hereof.



VSON6, very thin small outline package, no leads, 6 terminals, 0.5 mm pitch, 1.4 mm x 1.4 mm x 0.85 mm body

Contents

---

- 1 Package summary .....1
- 2 Package outline .....2
- 3 Soldering .....4
- 4 Legal information .....8