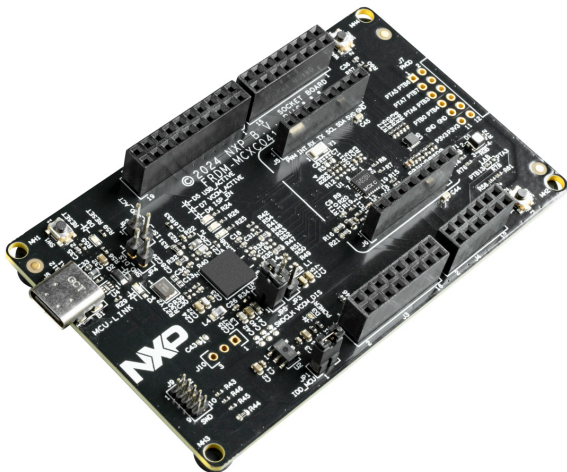




FRDM-MCXC041 Development Board



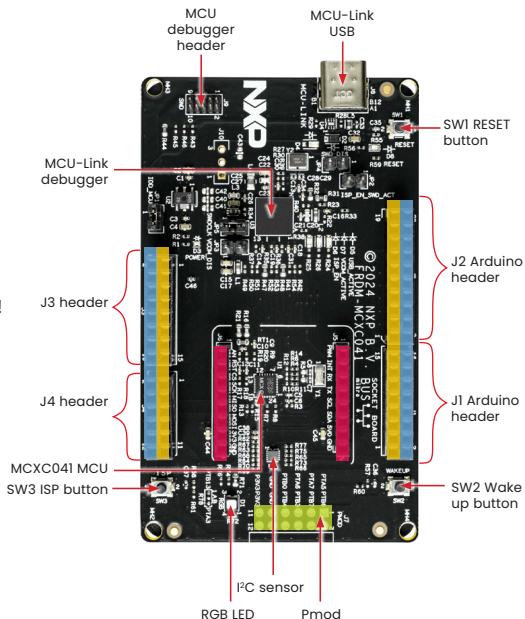
Get to know the FRDM-MCXC041 development board

NXP's MCUXpresso Developer Experience provides you with cost-effective MCU development boards.

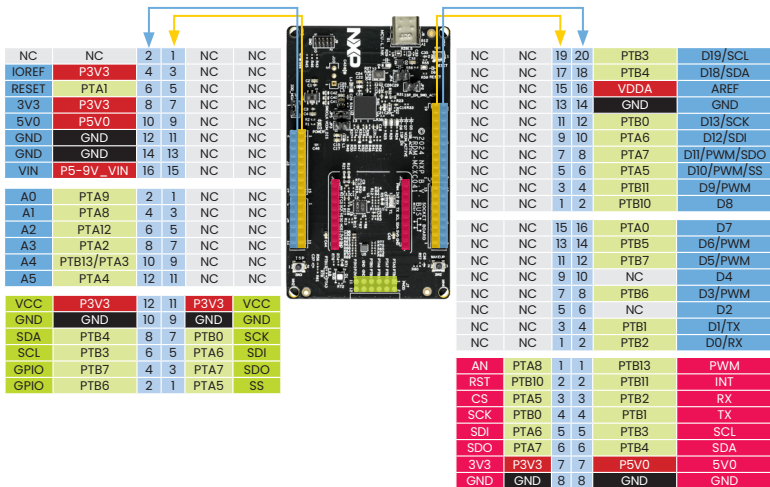
Easy I/O access supports expansion board use

for fast prototyping and rapid evaluation.

Enjoy your FRDM-MCXC041!



Quick Start Guide FRDM-MCXC041

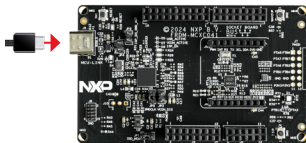


- Arduino® Header
- FRDM Header
- mikroBUS™
- Pmod™

How to get started

Setup

1. Connect the FRDM-MCXC041 board to a PC using the USB Type-C® cable
2. The board comes preprogrammed with a blinky LED demo
3. Get started at [nxp.com/FRDM-MCXC041/start](https://www.nxp.com/FRDM-MCXC041/start)



Software and expansion boards

4. Use different headers to connect sensors, Arduino shields and more
5. Access software and tools through our MCUXpresso Developer Experience nxp.com/MCUXpresso
 - Expansion Board Hub mcuxpresso.nxp.com/eb-hub to find add-on boards from NXP and our partners with related MCUXpresso SDK-compatible drivers and examples
 - Application Code Hub mcuxpresso.nxp.com/appcodehub to browse application code examples from our experts to help kick start your project

Support

Visit www.nxp.com/support

www.nxp.com/FRDM-MCXC041

NXP, the NXP logo and NXP SECURE CONNECTIONS FOR A SMARTER WORLD are trademarks of NXP B.V. All other product or service names are the property of their respective owners. © 2024 NXP B.V.