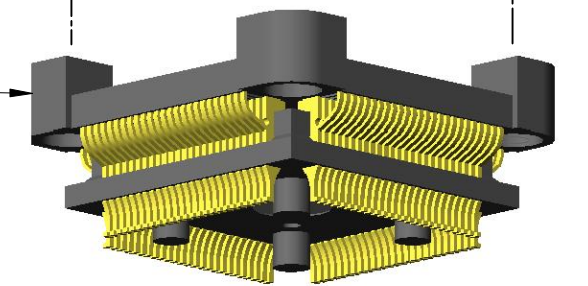
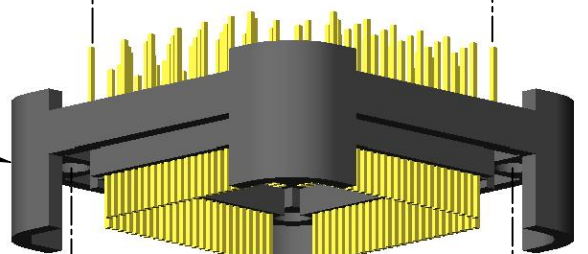
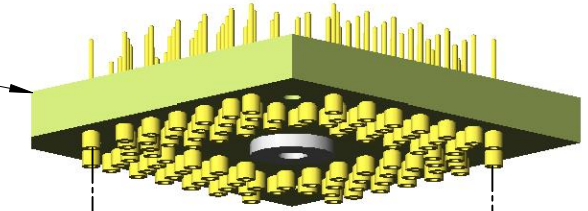


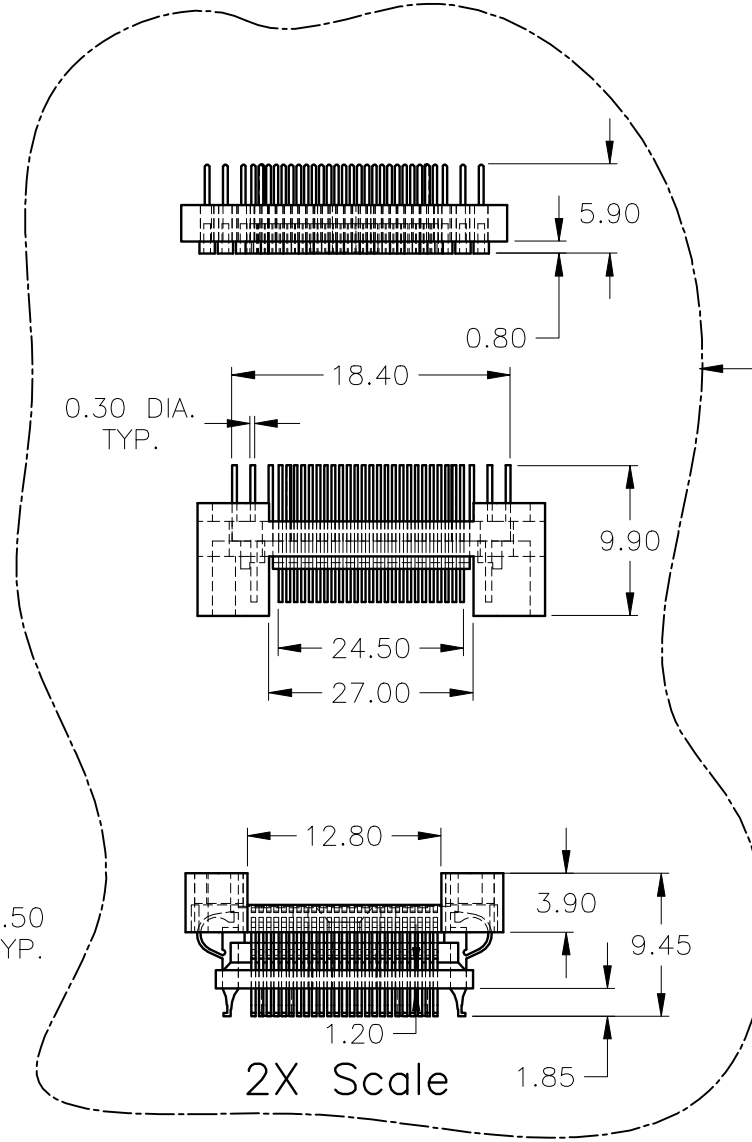
3

2



1

ASSEMBLY OPTION "B" SHOWN
(See Sheet #1 for Option "A")



EXPLODED VIEW

3	1	TQ Pack	Adapters.com	000-2944
2	1	YQ Pack	Adapters.com	000-2227
1	1	NQ Pack	Adapters.com	000-2225
ITEM	QTY	NAME	MATERIAL	DESCRIPTION

Parts List

FILE NAME	LFTHNYHT.DWG
CONTRACT NO	-
DRAWN	06/24/08 MJL
CHECK	07/14/08 CJW
APPR.	09/13/2010 = WEB
ISSUED	



28125 Cabot Drive, Suite 100
Novi MI 48377

QFP Target Interface Adapter and Surface Mount Socket Set
100 PIN 0.5mm Lead Free (Assembly Option "B")

NOTE:
DIMENSIONS ARE IN MILLIMETERS
DO NOT SCALE DRAWING

SIZE	FSCM NO	DWG NO	REV
B	-	LFTHNYHT	
SCALE	3:1	WEIGHT	SHEET 2 of 2