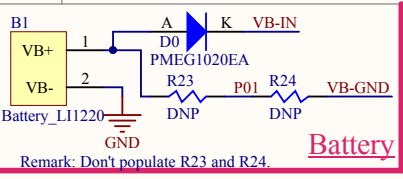


**Rework Resistor**

**Headset Jack**

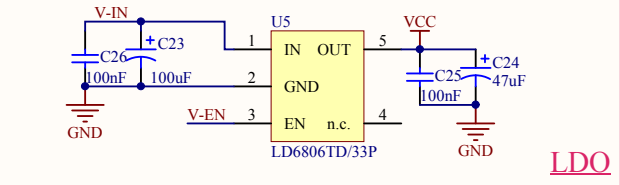


Remark: Don't populate R23 and R24.

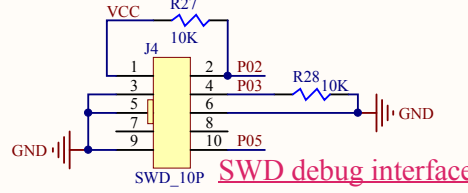
**Battery Power Selectable**

Function Note	Setting
J1 20 pins interface	
J2 Pin 1-2(Close: Power supply by phone)	Default
Pin 3-4(Close: Power supply by battery)	Default
J3 Pin 1-2(Close: input signal before comparator)	Default
Pin 2-3(Close: input signal after comparator)	Default
J4 SWD debug interface	

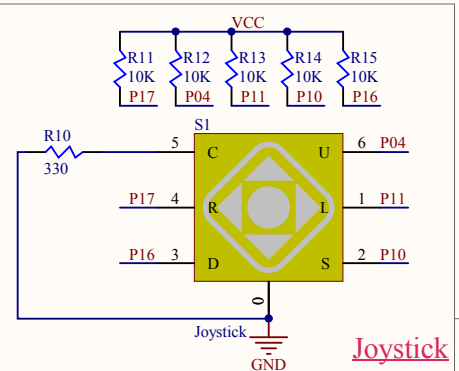
Note[1]:The PCB and Gerber files have not been added this rework resistor



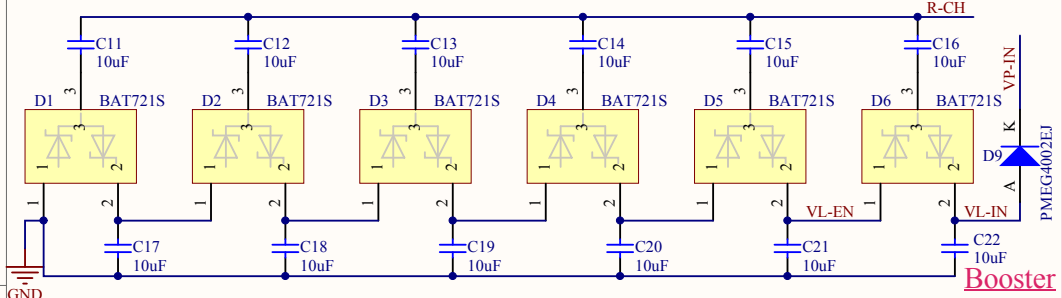
**LDO**



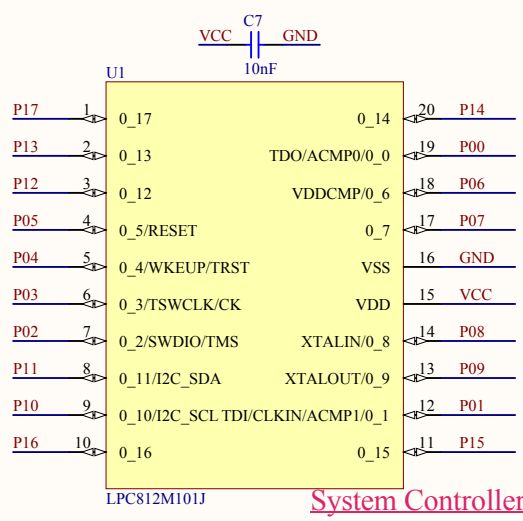
**SWD debug interface**



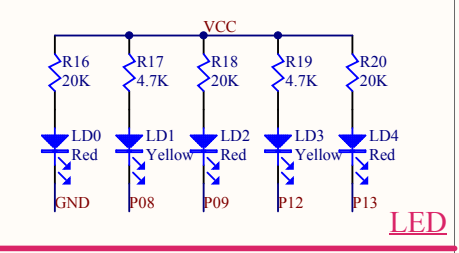
**Joystick**



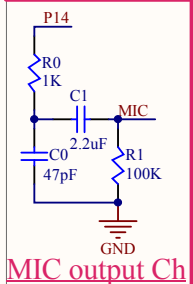
**Booster**



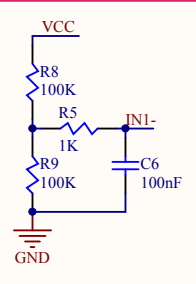
**System Controller**



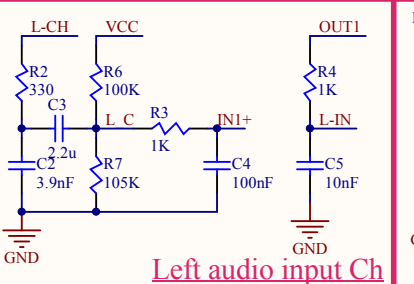
**LED**



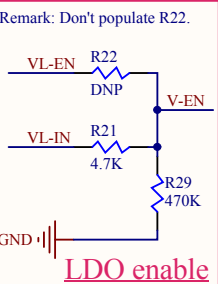
**MIC output Ch**



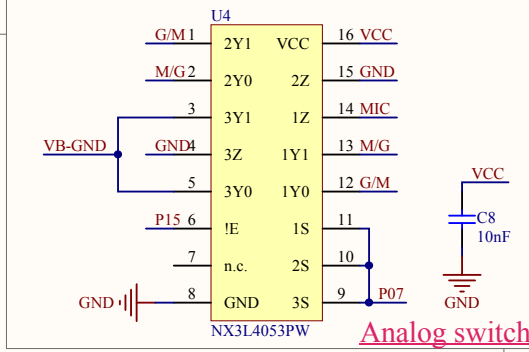
**Left audio input Ch**



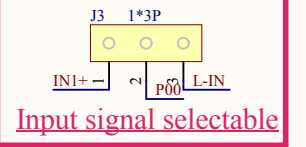
**LDO enable**



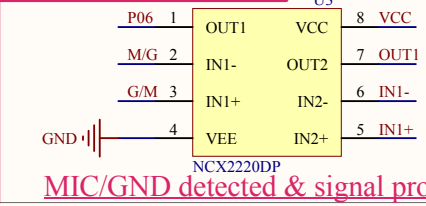
Remark: Don't populate R22.



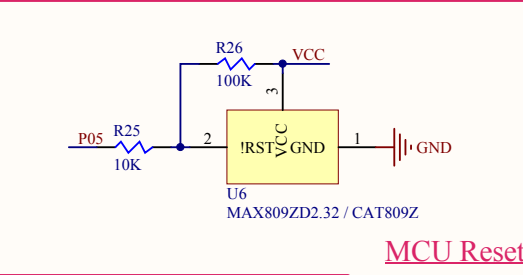
**Analog switch**



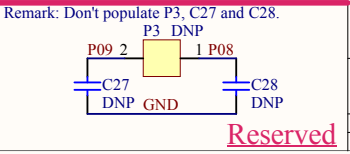
**Input signal selectable**



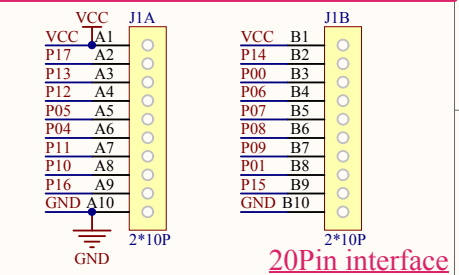
**MIC/GND detected & signal processing**



**MCU Reset**



**Reserved**



**20Pin interface**

Title		
NXP Quick-Jack Sch		
Size	Number	Revision
A4		V3.0
Date:	5/23/2014	Sheet of
File:	C:\Work Data\NXP Quick Jack V3.0	Drawn By: Zhihao Mo

# Bill of Materials

Bill of Materials For Project [NXP\_Quick\_Jack.PrjPcb] (No PCB Document Selected)

Source Data From: NXP\_Quick\_Jack.PrjPcb  
 Project: NXP\_Quick\_Jack.PrjPcb  
 Variant: None

Creation Date: 5/23/2014 3:57:44 PM  
 Print Date: 23-May-14 3:57:56 PM

Footprint	Comment	LibRef	Designator	Description	Quantity
LI1220_1	Battery_LI1220	Battery_LI1220	B1	ML1220 Panasonic 51mAh 3V CR1220	1
0603C	47pF	CAP	C0	0603C	1
0603C	2.2uF	CAP	C1	0603C	1
0603C	3.9nF	CAP	C2	0603C	1
0603C	2.2u	CAP	C3	0603C	1
0603C	100nF	CAP	C4, C6, C10, C25, C26	0603C	5
0603C	10nF	CAP	C5, C7, C8, C9	0603C	4
0603C	10uF	CAP	C11, C12, C13, C14, C15, C16, C17, C18, C19, C20, C21, C22	0603C	12
2413C	100uF	Cap Pol2	C23	Polarized Capacitor (Axial)	1
2413C	47uF	Cap Pol2	C24	Polarized Capacitor (Axial)	1
0603C	DNP	CAP	C27, C28	0603C	2
SOD323(SC-76)	PMEG1020EA	PMEG1020EA	D0	SOD323	1
SOT23	BAT721S	BAT721S	D1, D2, D3, D4, D5, D6	SOT23	6
SOT23-3	PESD5V2S2UT	PESD5V2S2UT	D7, D8	SOT23-3	2
SOD323(SC-76)	PMEG4002EJ	PMEG4002EJ	D9	SOD323	1
2*10P	2*10P	2*10P	J1		1
2*2P	2*2P	2*2P	J2		1
1*3P	1*3P	1*3P	J3		1
FTSH-105-01-L-DV	SWD_10P	IDC10	J4		1
0603D	Red	LED	LD0, LD2, LD4		3
0603D	Yellow	LED	LD1, LD3		2
earphone_jack	Earphone Jack	earphone_jack	P1		1
CY	DNP	XTAL	P3	12MHz	1
0603R	1K	RES	R0, R3, R4, R5	0603R	4
0603R	100K	RES	R1, R6, R8, R9, R26	0603R	5
0603R	330	RES	R2, R10	0603R	2
0603R	105K	RES	R7	0603R	1
0603R	10K	RES	R11, R12, R13, R14, R15, R25, R27, R28	0603R	8
0603R	20K	RES	R16, R18, R20	0603R	3
0603R	4.7K	RES	R17, R19, R21	0603R	3
0603R	DNP	RES	R22, R23, R24	0603R	3
0603R	470K	RES	R29	0603R	1
0603R	2.2K	RES	R30	0603R	1
JOY	Joystick	MT-008A	S1	5key	1
TSSOP20(SOT360-1)	LPC812M101J	LPC812M101J-S6316401	U1	SOT360-1	1
TSSOP8(SOT530-1)	SE98APW	SE98APW	U2	TSSOP8	1
TSSOP8(SOT505-2)	NCX2220DP	NCX2220	U3	SOT505-2	1
TSSOP16(SOT403-1)	NX3L4053PW	NX3L4053	U4	SOT403-1	1
TSOP5(SOT753)	LD6806TD/33P	LD6806TD/33P	U5	SOT753	1
SOT23-3	MAX809ZD2.32 / CAT809Z	MAX809ZD2.32	U6	SOT23-3	1

89

Approved	Notes