

| | | |
|--|----------------------------------|----------|
| | OVERVIEW | 1 |
| | SIGNAL DESCRIPTIONS | 2 |
| MEMORY, OPERATING MODES, AND INTERRUPTS | | 3 |
| | EXTERNAL MEMORY INTERFACE | 4 |
| | SERIAL HOST INTERFACE | 5 |
| | SERIAL AUDIO INTERFACE | 6 |
| | GENERAL PURPOSE I/O | 7 |
| | BOOTSTRAP CODE CONTENTS | A |
| | PROGRAMMING REFERENCE | B |
| | APPLICATION EXAMPLES | C |
| | INDEX | I |

1

OVERVIEW

2

SIGNAL DESCRIPTIONS

3

MEMORY, OPERATING MODES, AND INTERRUPTS

4

EXTERNAL MEMORY INTERFACE

5

SERIAL HOST INTERFACE

6

SERIAL AUDIO INTERFACE

7

GENERAL PURPOSE I/O

A

BOOTSTRAP CODE CONTENTS

B

PROGRAMMING REFERENCE

C

APPLICATION EXAMPLES

I

INDEX

Freescale Semiconductor, Inc.



Freescale Semiconductor, Inc.

DSP56004

24-Bit Digital Signal Processor User's Manual Revision 1

Motorola, Incorporated
Semiconductor Products Sector
DSP Division

**For More Information On This Product,
Go to: www.freescale.com**

Freescale Semiconductor, Inc.



6501 William Cannon Drive West
Austin, TX 78735-8598

This document (and other documents) can be viewed on the World Wide Web at <http://www.motorola-dsp.com>.

This manual is one of a set of three documents. You need the following manuals to have complete product information: Family Manual, User's Manual, and Technical Data.

OnCE™ is a trademark of Motorola, Inc.

© MOTOROLA INC., 1996

Order this document by **DSP56004UM/AD, Rev. 1**

Motorola reserves the right to make changes without further notice to any products herein. Motorola makes no warranty, representation or guarantee regarding the suitability of its products for any particular purpose, nor does Motorola assume any liability arising out of the application or use of any product or circuit, and specifically disclaims any and all liability, including without limitation consequential or incidental damages. "typical" parameters which may be provided in Motorola data sheets and/or specifications can and do vary in different applications and actual performance may vary over time. All operating parameters, including "Typicals" must be validated for each customer application by customer's technical experts. Motorola does not convey any license under its patent rights nor the rights of others. Motorola products are not designed, intended, or authorized for use as components in systems intended for surgical implant into the body, or other applications intended to support life, or for any other application in which the failure of the Motorola product could create a situation where personal injury or death may occur. Should Buyer purchase or use Motorola products for any such unintended or unauthorized application, Buyer shall indemnify and hold Motorola and its officers, employees, subsidiaries, affiliates, and distributors harmless against all claims, costs, damages, and expenses, and reasonable attorney fees arising out of, directly or indirectly, any claim of personal injury or death associated with such unintended or unauthorized use, even if such claim alleges that Motorola was negligent regarding



the design or manufacture of the part. Motorola and  are registered trademarks of Motorola, Inc. Motorola, Inc. is an Equal Opportunity/Affirmative Action Employer.



TABLE OF CONTENTS

| | | |
|------------------|--------------------------------------|------------|
| SECTION 1 | OVERVIEW | 1-1 |
| 1.1 | INTRODUCTION | 1-3 |
| 1.1.1 | Manual Organization | 1-4 |
| 1.1.2 | Manual Conventions | 1-5 |
| 1.2 | DSP56004 FEATURES | 1-6 |
| 1.3 | DSP56004 ARCHITECTURAL OVERVIEW | 1-8 |
| 1.3.1 | Memory and Peripheral Modules | 1-9 |
| 1.3.2 | DSP Core Processor | 1-10 |
| 1.3.2.1 | Data Arithmetic and Logic Unit (ALU) | 1-10 |
| 1.3.2.2 | Address Generation Unit (AGU) | 1-11 |
| 1.3.2.3 | Program Control Unit | 1-11 |
| 1.3.2.4 | Data Buses | 1-12 |
| 1.3.2.5 | Address Buses | 1-12 |
| 1.3.2.6 | Phase Lock Loop (PLL) | 1-12 |
| 1.3.2.7 | On-Chip Emulation (OnCE) Port | 1-12 |
| 1.3.3 | Memories | 1-13 |
| 1.3.3.1 | Program Memory | 1-13 |
| 1.3.3.2 | X Data Memory | 1-15 |
| 1.3.3.3 | Y Data Memory | 1-15 |
| 1.3.3.4 | Bootstrap ROM | 1-15 |
| 1.3.3.5 | External Memory | 1-15 |
| 1.3.3.6 | Reserved Memory Spaces | 1-15 |
| 1.3.4 | Input/Output | 1-16 |
| 1.3.4.1 | External Memory Interface | 1-17 |
| 1.3.4.2 | Serial Host Interface (SHI) | 1-18 |
| 1.3.4.3 | Serial Audio Interface (SAI) | 1-18 |
| 1.3.4.4 | General Purpose Input/Output | 1-18 |
| SECTION 2 | SIGNAL DESCRIPTIONS | 2-1 |
| 2.1 | SIGNAL GROUPINGS | 2-3 |
| 2.2 | POWER | 2-5 |
| 2.3 | GROUND | 2-5 |

| | | |
|-------|---|------|
| 2.4 | CLOCK AND PLL SIGNALS | 2-6 |
| 2.5 | EXTERNAL MEMORY INTERFACE (EMI) | 2-7 |
| 2.6 | INTERRUPT AND MODE CONTROL | 2-10 |
| 2.7 | SERIAL HOST INTERFACE (SHI) | 2-14 |
| 2.8 | SERIAL AUDIO INTERFACE (SAI) | 2-18 |
| 2.8.1 | SAI Receiver Section | 2-18 |
| 2.8.2 | SAI Transmitter Section | 2-20 |
| 2.9 | GENERAL PURPOSE I/O | 2-21 |
| 2.10 | ON-CHIP EMULATION (OnCE™) PORT | 2-22 |

SECTION 3 MEMORY, OPERATING MODES, AND INTERRUPTS 3-1

| | | |
|---------|---|------|
| 3.1 | INTRODUCTION | 3-3 |
| 3.2 | DSP56004 PROGRAM AND DATA MEMORY | 3-3 |
| 3.2.1 | X Data ROM | 3-5 |
| 3.2.1.1 | Assembler Routine To Access The $\text{Log}_2(x)$ Table | 3-5 |
| 3.2.1.2 | Assembler Routine To Access The 2^x Table | 3-5 |
| 3.2.2 | Y Data ROM | 3-5 |
| 3.2.3 | DSP56004 Bootstrap ROM | 3-6 |
| 3.2.4 | DSP56004ROM Bootstrap ROM | 3-6 |
| 3.2.5 | Program ROM | 3-7 |
| 3.2.6 | Reserved Memory Spaces | 3-7 |
| 3.2.7 | Internal I/O Memory Map | 3-7 |
| 3.3 | OPERATING MODE REGISTER (OMR) | 3-9 |
| 3.3.1 | DSP Operating Mode (MC, MB, MA)—Bits 4, 1, and 0 | 3-9 |
| 3.3.2 | Stop Delay (SD)—Bit 6 | 3-9 |
| 3.4 | OPERATING MODES | 3-10 |
| 3.5 | INTERRUPT PRIORITY REGISTER | 3-11 |
| 3.6 | PHASE LOCK LOOP (PLL) CONFIGURATION | 3-15 |
| 3.7 | HARDWARE RESET OPERATION | 3-16 |

SECTION 4 EXTERNAL MEMORY INTERFACE 4-1

| | | |
|-------|---------------------------------|-----|
| 4.1 | INTRODUCTION | 4-3 |
| 4.1.1 | Theory of Operation | 4-3 |
| 4.1.2 | EMI Features | 4-4 |
| 4.2 | EMI PROGRAMMING MODEL | 4-5 |

| | | |
|----------|--|------|
| 4.2.1 | EMI Base Address Registers (EBAR0 and EBAR1) | 4-7 |
| 4.2.2 | EMI Write Offset Register (EWOR) | 4-7 |
| 4.2.3 | EMI Offset Register (EOR) | 4-8 |
| 4.2.4 | EMI Data Write Registers (EDWR) | 4-9 |
| 4.2.5 | EMI Data Read Register (EDRR) | 4-9 |
| 4.2.6 | EMI Data Register Buffer (EDRB) | 4-9 |
| 4.2.7 | EMI Control/Status Register (ECSR) | 4-10 |
| 4.2.7.1 | EMI Data Bus Width (EBW)—Bit 0 | 4-10 |
| 4.2.7.2 | EMI Word Length (EWL[2:0])—Bits 16,2, and 1 | 4-11 |
| 4.2.7.3 | EMI Addressing Mode (EAM[3:0])—Bits 6–3 | 4-12 |
| 4.2.7.4 | EMI Increment EBAR After Read (EINR)—Bit 7 | 4-16 |
| 4.2.7.5 | EMI Increment EBAR After Write (EINW)—Bit 8 | 4-16 |
| 4.2.7.6 | EMI Interrupt Select (EIS[1:0])—Bits 9–10 | 4-17 |
| 4.2.7.7 | EMI Memory-Wrap Interrupt Enable (EMWIE)—Bit 11 | 4-17 |
| 4.2.7.8 | EMI Data Write Register Empty (EDWE)—Bit 12 | 4-18 |
| 4.2.7.9 | EMI Data Read Register Full (EDRF)—Bit 13 | 4-18 |
| 4.2.7.10 | EMI Data Register Buffer and Data Read Register Full (EBDF)—Bit 14-18 | |
| 4.2.7.11 | EMI Busy (EBSY)—Bit 15 | 4-19 |
| 4.2.7.12 | EMI Read Trigger Select (ERTS)—Bit 17 | 4-19 |
| 4.2.7.13 | EMI DRAM Memory Timing (EDTM)—Bit 18 | 4-19 |
| 4.2.7.14 | EMI SRAM Memory Timing (ESTM[3:0])—Bits 19–22 | 4-20 |
| 4.2.7.15 | EMI Enable (EME)—Bit 23 | 4-21 |
| 4.2.8 | EMI Refresh Control Register (ERCR) | 4-21 |
| 4.2.8.1 | EMI Refresh Clock Divider (ECD[7:0])—Bits 0–7 | 4-22 |
| 4.2.8.2 | ERCR Reserved Bits—Bits 8–17, 21 | 4-22 |
| 4.2.8.3 | EMI Refresh Clock Prescaler (EPS[1:0])—Bits 18–19 | 4-22 |
| 4.2.8.4 | EMI One-Shot Refresh (EOSR)—Bit 20 | 4-22 |
| 4.2.8.5 | EMI Refresh Enable when Debugging (ERED)—Bit 22 | 4-22 |
| 4.2.8.6 | ERCR Refresh Enable (EREF)—Bit 23 | 4-23 |
| 4.3 | EMI ADDRESS GENERATION | 4-23 |
| 4.3.1 | SRAM Absolute Addressing | 4-24 |
| 4.3.2 | SRAM Relative Addressing | 4-25 |

| | | |
|--|--|------------|
| 4.3.3 | DRAM Relative Addressing | 4-27 |
| 4.3.4 | DRAM Absolute Addressing | 4-30 |
| 4.4 | DRAM REFRESH | 4-31 |
| 4.4.1 | DRAM Refresh Without Using The Internal Refresh Timer | 4-31 |
| 4.4.2 | DRAM Refresh OnCE Port Debug Mode Consideration | 4-32 |
| 4.4.3 | Using The Internal Refresh Timer | 4-33 |
| 4.4.3.1 | “On Line” Refresh | 4-33 |
| 4.4.3.2 | “Off Line” Refresh | 4-34 |
| 4.4.3.3 | OnCE Port Debug Mode Consideration | 4-34 |
| 4.4.4 | Software Controlled Refresh | 4-34 |
| 4.4.5 | DRAM Refresh Timing | 4-35 |
| 4.5 | EMI OPERATING CONSIDERATIONS | 4-38 |
| 4.5.1 | EMI Triggering and Pipelining | 4-38 |
| 4.5.2 | Read Data Transfer | 4-40 |
| 4.5.3 | Write-Data Transfer | 4-43 |
| 4.5.4 | EMI Operation During Stop | 4-45 |
| 4.5.5 | EMI Operation During Wait | 4-45 |
| 4.6 | DATA-DELAY STRUCTURE | 4-46 |
| 4.7 | EMI-TO-MEMORY CONNECTION | 4-48 |
| 4.8 | EMI TIMING | 4-50 |
| 4.8.1 | Timing Diagrams for DRAM Addressing Modes | 4-51 |
| 4.8.1.1 | Fast Timing Mode | 4-52 |
| 4.8.1.2 | Slow Timing Mode | 4-58 |
| 4.8.2 | Timing Diagrams for SRAM Addressing Modes | 4-64 |
| SECTION 5 SERIAL HOST INTERFACE | | 5-1 |
| 5.1 | INTRODUCTION | 5-3 |
| 5.2 | SERIAL HOST INTERFACE INTERNAL ARCHITECTURE | 5-4 |
| 5.3 | SERIAL HOST INTERFACE PROGRAMMING MODEL | 5-4 |
| 5.3.1 | SHI Input/Output Shift Register (IOSR)—Host Side | 5-7 |
| 5.3.2 | SHI Host Transmit Data Register (HTX)—DSP Side | 5-8 |
| 5.3.3 | SHI Host Receive Data FIFO (HRX)—DSP Side | 5-8 |
| 5.3.4 | SHI Slave Address Register (HSAR)—DSP Side | 5-9 |
| 5.3.4.1 | HSAR Reserved Bits—Bits 17–0,19 | 5-9 |

| | | |
|----------|---|------|
| 5.3.4.2 | HSAR I ² C Slave Address (HA[6:3], HA1)—Bits 23–20,18 | 5-9 |
| 5.3.5 | SHI Clock Control Register (HCKR)—DSP Side | 5-9 |
| 5.3.5.1 | Clock Phase and Polarity (CPHA and CPOL)—Bits 1–0 | 5-9 |
| 5.3.5.2 | HCKR Prescaler Rate Select (HRS)—Bit 2 | 5-11 |
| 5.3.5.3 | HCKR Divider Modulus Select (HDM[5:0])—Bits 8–3 | 5-11 |
| 5.3.5.4 | HCKR Reserved Bits—Bits 23–14, 11–9 | 5-11 |
| 5.3.5.5 | HCKR Filter Mode (HFM[1:0]) — Bits 13–12 | 5-11 |
| 5.3.6 | SHI Control/Status Register (HCSR)—DSP Side | 5-13 |
| 5.3.6.1 | HCSR Host Enable (HEN)—Bit 0 | 5-13 |
| 5.3.6.2 | HCSR I ² C/SPI Selection (HI2C)—Bit 1 | 5-13 |
| 5.3.6.3 | HCSR Serial Host Interface Mode (HM[1:0])—Bits 3–2. | 5-13 |
| 5.3.6.4 | HCSR Reserved Bits—Bits 23, 18, 16, and 4 | 5-13 |
| 5.3.6.5 | HCSR FIFO-Enable Control (HFIFO)—Bit 5 | 5-14 |
| 5.3.6.6 | HCSR Master Mode (HMST)—Bit 6 | 5-14 |
| 5.3.6.7 | HCSR Host Request Enable (HRQE[1:0])—Bits 8–7 | 5-14 |
| 5.3.6.8 | HCSR Idle (HIDLE)—Bit 9 | 5-15 |
| 5.3.6.9 | HCSR Bus-Error Interrupt Enable (HBIE)—Bit 10 | 5-16 |
| 5.3.6.10 | HCSR Transmit-Interrupt Enable (HTIE)—Bit 11 | 5-16 |
| 5.3.6.11 | HCSR Receive Interrupt Enable (HRIE[1:0])—Bits 13–12 | 5-16 |
| 5.3.6.12 | HCSR Host Transmit Underrun Error (HTUE)—Bit 14 | 5-17 |
| 5.3.6.13 | HCSR Host Transmit Data Empty (HTDE)—Bit 15 | 5-17 |
| 5.3.6.14 | Host Receive FIFO Not Empty (HRNE)—Bit 17 | 5-17 |
| 5.3.6.15 | Host Receive FIFO Full (HRFF)—Bit 19 | 5-18 |
| 5.3.6.16 | Host Receive Overrun Error (HROE)—Bit 20 | 5-18 |
| 5.3.6.17 | Host Bus Error (HBER)—Bit 21 | 5-18 |
| 5.3.6.18 | HCSR Host Busy (HBUSY)—Bit 22 | 5-18 |
| 5.4 | CHARACTERISTICS OF THE SPI BUS | 5-19 |
| 5.5 | CHARACTERISTICS OF THE I ² C BUS | 5-19 |
| 5.5.1 | Overview | 5-20 |
| 5.5.2 | I ² C Data Transfer Formats | 5-22 |
| 5.6 | SHI PROGRAMMING CONSIDERATIONS | 5-22 |

| | | |
|---------|---|------|
| 5.6.1 | SPI Slave Mode | 5-23 |
| 5.6.2 | SPI Master Mode | 5-24 |
| 5.6.3 | I ² C Slave Mode | 5-25 |
| 5.6.3.1 | Receive Data in I ² C Slave Mode | 5-26 |
| 5.6.3.2 | Transmit Data In I ² C Slave Mode | 5-27 |
| 5.6.4 | I ² C Master Mode | 5-27 |
| 5.6.4.1 | Receive Data in I ² C Master Mode | 5-29 |
| 5.6.4.2 | Transmit Data In I ² C Master Mode | 5-29 |
| 5.6.5 | SHI Operation During Stop | 5-30 |

SECTION 6 SERIAL AUDIO INTERFACE 6-1

| | | |
|----------|---|------|
| 6.1 | INTRODUCTION | 6-3 |
| 6.2 | SERIAL AUDIO INTERFACE INTERNAL ARCHITECTURE | 6-4 |
| 6.2.1 | Baud-Rate Generator | 6-4 |
| 6.2.2 | Receive Section Overview | 6-5 |
| 6.2.3 | SAI Transmit Section Overview | 6-6 |
| 6.3 | SERIAL AUDIO INTERFACE PROGRAMMING MODEL | 6-8 |
| 6.3.1 | Baud Rate Control Register (BRC) | 6-9 |
| 6.3.1.1 | Prescale Modulus select (PM[7:0])—Bits 7–0 | 6-10 |
| 6.3.1.2 | Prescaler Range (PSR)—Bit 8 | 6-10 |
| 6.3.1.3 | BRC Reserved Bits—Bits 15–9 | 6-10 |
| 6.3.2 | Receiver Control/Status Register (RCS) | 6-10 |
| 6.3.2.1 | RCS Receiver 0 Enable (R0EN)—Bit 0 | 6-10 |
| 6.3.2.2 | RCS Receiver 1 Enable (R1EN)—Bit 1 | 6-11 |
| 6.3.2.3 | RCS Reserved Bit—Bits 13 and 2 | 6-11 |
| 6.3.2.4 | RCS Receiver Master (RMST)—Bit 3 | 6-11 |
| 6.3.2.5 | RCS Receiver Word Length Control (RWL[1:0])—Bits 4 and 5 | 6-11 |
| 6.3.2.6 | RCS Receiver Data Shift Direction (RDIR)—Bit 6 | 6-12 |
| 6.3.2.7 | RCS Receiver Left Right Selection (RLRS)—Bit 7 | 6-12 |
| 6.3.2.8 | RCS Receiver Clock Polarity (RCKP)—Bit 8 | 6-13 |
| 6.3.2.9 | RCS Receiver Relative Timing (RREL)—Bit 9 | 6-13 |
| 6.3.2.10 | RCS Receiver Data Word Truncation (RDWT)—Bit 10 | 6-14 |
| 6.3.2.11 | RCS Receiver Interrupt Enable (RXIE)—Bit 11 | 6-15 |
| 6.3.2.12 | RCS Receiver Interrupt Location (RXIL)—Bit 12 | 6-15 |

| | | |
|---|---|------------|
| 6.3.2.13 | RCS Receiver Left Data Full (RLDF)—Bit 14 | 6-16 |
| 6.3.2.14 | RCS Receiver Right Data Full (RRDF)—Bit 15 | 6-16 |
| 6.3.3 | SAI Receive Data Registers (RX0 and RX1) | 6-17 |
| 6.3.4 | Transmitter Control/Status Register (TCS) | 6-17 |
| 6.3.4.1 | TCS Transmitter 0 Enable (T0EN)—Bit 0 | 6-17 |
| 6.3.4.2 | TCS Transmitter 1 Enable (T1EN)—Bit 1 | 6-17 |
| 6.3.4.3 | TCS Transmitter 2 Enable (T2EN)—Bit 2 | 6-18 |
| 6.3.4.4 | TCS Transmitter Master (TMST)—Bit 3 | 6-18 |
| 6.3.4.5 | TCS Transmitter Word Length Control (TWL[1:0])—Bits 4 & 5 | 6-18 |
| 6.3.4.6 | TCS Transmitter Data Shift Direction (TDIR)—Bit 6 | 6-18 |
| 6.3.4.7 | TCS Transmitter Left Right Selection (TLRS)—Bit 7 | 6-19 |
| 6.3.4.8 | TCS Transmitter Clock Polarity (TCKP)—Bit 8 | 6-19 |
| 6.3.4.9 | TCS Transmitter Relative Timing (TREL)—Bit 9 | 6-20 |
| 6.3.4.10 | TCS Transmitter Data Word Expansion (TDWE)—Bit 10 | 6-20 |
| 6.3.4.11 | TCS Transmitter Interrupt Enable (TXIE)—Bit 11 | 6-21 |
| 6.3.4.12 | TCS Transmitter Interrupt Location (TXIL)—Bit 12 | 6-22 |
| 6.3.4.13 | TCS Reserved Bit—Bit 13 | 6-22 |
| 6.3.4.14 | TCS Transmitter Left Data Empty (TLDE)—Bit 14 | 6-22 |
| 6.3.4.15 | TCS Transmitter Right Data Empty (TRDE)—Bit 15 | 6-23 |
| 6.3.5 | SAI Transmit Data Registers (TX2, TX1 and TX0) | 6-23 |
| 6.4 | PROGRAMMING CONSIDERATIONS | 6-24 |
| 6.4.1 | SAI Operation During Stop | 6-24 |
| 6.4.2 | Initiating a Transmit Session | 6-24 |
| 6.4.3 | Using a Single Interrupt to Service Both Receiver and Transmitter Sections | 6-24 |
| 6.4.4 | SAI State Machine | 6-25 |
| SECTION 7 GENERAL PURPOSE INPUT/OUTPUT | | 7-1 |
| 7.1 | INTRODUCTION | 7-3 |
| 7.2 | GPIO PROGRAMMING MODEL | 7-3 |
| 7.3 | GPIO REGISTER (GPIOR) | 7-3 |
| 7.3.1 | GPIOR Data Bits (GD[3:0])—Bits 3–0 | 7-4 |
| 7.3.2 | GPIOR Reserved Bits—Bits 4–7, 12–15, and 20–23 | 7-4 |
| 7.3.3 | GPIOR Data Direction Bits (GDD[3:0])—Bits 11–8 | 7-4 |
| 7.3.4 | GPIOR Control Bits (GC[3:0])—Bits 19–16 | 7-4 |

APPENDIX A BOOTSTRAP ROM AND DATA ROM CONTENTS A-1

A.1 DSP56004 BOOTSTRAP PROGRAM. A-3

A.2 ASSEMBLER CODE TO GENERATE X DATA ROM. A-5

A.3 LOG₂ X TABLE (X DATA ROM) A-6

A.4 2^X TABLE (X DATA ROM). A-8

A.5 SINE WAVE TABLE (Y DATA ROM). A-11

APPENDIX B PROGRAMMING REFERENCE B-1

B.1 INTRODUCTION. B-3

B.2 PERIPHERAL ADDRESSES. B-3

B.3 INTERRUPT ADDRESSES. B-3

B.4 INTERRUPT PRIORITIES. B-3

B.5 INSTRUCTION SET SUMMARY. B-3

B.6 PROGRAMMING SHEETS B-3

APPENDIX C APPLICATION EXAMPLES C-1

C.1 INTRODUCTION. C-3

C.2 TYPICAL SYSTEM TOPOLOGY. C-3

C.3 PROGRAM OVERLAY C-4

C.4 SINGLE DELAY LINE C-4

C.5 EARLY REFLECTION FILTER C-5

C.6 TWO CHANNEL COMB FILTER. C-6

C.7 3-TAP FIR FILTER C-8

LIST OF FIGURES

| | | |
|-------------|--|------|
| Figure 1-1 | DSP56004 Block Diagram. | 1-9 |
| Figure 2-1 | DSP56004 Signals | 2-4 |
| Figure 3-1 | DSP56004 Internal Memory Map—Mode 0. | 3-4 |
| Figure 3-2 | DSP56004ROM Internal Memory Map—Mode 0 | 3-4 |
| Figure 3-3 | Operating Mode Register (OMR). | 3-9 |
| Figure 3-4 | Interrupt Priority Register (Address X:\$FFFF). | 3-12 |
| Figure 3-5 | PLL Configuration | 3-16 |
| Figure 4-1 | EMI Registers | 4-6 |
| Figure 4-2 | EMI Control/Status Register (ECSR). | 4-8 |
| Figure 4-3 | EMI Refresh Control Register (ERCR) | 4-21 |
| Figure 4-4 | EMI Address Generation Block Diagram. | 4-23 |
| Figure 4-5 | Refresh Timer Functional Diagram.. | 4-33 |
| Figure 4-6 | Timing Diagram of a DRAM Refresh Cycle (Fast). | 4-37 |
| Figure 4-7 | Timing Diagram Of a DRAM Refresh Cycle (Slow). | 4-37 |
| Figure 4-8 | EMI Pipeline | 4-39 |
| Figure 4-9 | Illustration of the Data-Delay Structure | 4-46 |
| Figure 4-10 | DRAM for Data Delay Buffers and for SRAM for Bootstrap | 4-48 |
| Figure 4-11 | SRAM for Data Delay Buffers and for Bootstrap. | 4-49 |
| Figure 4-12 | Replacing DRAMs with SRAMs for Large Arrays | 4-50 |

| | | |
|-------------|--|------|
| Figure 4-13 | Fast Read or Write DRAM Access Timing—1 | 4-52 |
| Figure 4-14 | Fast Read or Write DRAM Access Timing—2 | 4-53 |
| Figure 4-15 | Fast Read or Write DRAM Access Timing—3 | 4-54 |
| Figure 4-16 | Fast Read or Write DRAM Access Timing—4 | 4-55 |
| Figure 4-17 | Fast Read or Write DRAM Access Timing—5 | 4-56 |
| Figure 4-18 | Fast Read or Write DRAM Access Timing—6 | 4-57 |
| Figure 4-19 | Slow Read or Write DRAM Access Timing—1 | 4-58 |
| Figure 4-20 | Slow Read or Write DRAM Access Timing—2 | 4-59 |
| Figure 4-21 | Slow Read or Write DRAM Access Timing—3 | 4-60 |
| Figure 4-22 | Slow Read or Write DRAM Access Timing—4 | 4-61 |
| Figure 4-23 | Slow Read or Write DRAM Access Timing—5 | 4-62 |
| Figure 4-24 | Slow Read or Write DRAM Access Timing—6 | 4-63 |
| Figure 4-25 | SRAM Read/Write Timing | 4-64 |
| Figure 5-1 | Serial Host Interface Block Diagram | 5-5 |
| Figure 5-2 | SHI Clock Generator | 5-5 |
| Figure 5-3 | SHI Programming Model—Host Side | 5-6 |
| Figure 5-4 | SHI Programming Model—DSP Side | 5-7 |
| Figure 5-5 | SHI I/O Shift Register (IOSR) | 5-8 |
| Figure 5-6 | SPI Data-To-Clock Timing Diagram | 5-11 |
| Figure 5-7 | I ² C Bit Transfer | 5-20 |
| Figure 5-8 | I ² C Start and Stop Events | 5-20 |
| Figure 5-9 | Acknowledgment on the I ² C Bus | 5-22 |

| | | |
|-------------|---|------|
| Figure 5-10 | I ² C Bus Protocol For Host Write Cycle | 5-23 |
| Figure 5-11 | I ² C Bus Protocol For Host Read Cycle | 5-23 |
| Figure 6-1 | SAI Baud-Rate Generator Block Diagram | 6-4 |
| Figure 6-2 | SAI Receive Section Block Diagram | 6-5 |
| Figure 6-3 | SAI Transmit Section Block Diagram | 6-7 |
| Figure 6-4 | SAI Registers. | 6-8 |
| Figure 6-5 | Receiver Data Shift Direction (RDIR) Programming | 6-12 |
| Figure 6-6 | Receiver Left/Right Selection (RLRS) Programming. | 6-12 |
| Figure 6-7 | Receiver Clock Polarity (RCKP) Programming | 6-13 |
| Figure 6-8 | Receiver Relative Timing (RREL) Programming. | 6-14 |
| Figure 6-9 | Receiver Data Word Truncation (RDWT) Programming | 6-14 |
| Figure 6-10 | Transmitter Data Shift Direction (TDIR) Programming | 6-19 |
| Figure 6-11 | Transmitter Left/Right Selection (TLRS) Programming. | 6-19 |
| Figure 6-12 | Transmitter Clock Polarity (TCKP) Programming | 6-20 |
| Figure 6-13 | Transmitter Relative Timing (TREL) Programming | 6-20 |
| Figure 6-14 | Transmitter Data Word Expansion (TDWE) Programming | 6-21 |
| Figure 7-1 | GPIO Control/Data Register | 7-3 |
| Figure 7-2 | GPIO Circuit Diagram | 7-5 |
| Figure B-1 | On-chip Peripheral Memory Map. | B-4 |
| Figure B-2 | Status Register (SR) | B-14 |
| Figure B-3 | Interrupt Priority Register (IPR) | B-15 |
| Figure B-4 | Operating Mode Register (OMR). | B-16 |

| | | |
|-------------|--|------|
| Figure B-5 | PLL Control Register (PCTL) | B-17 |
| Figure B-6 | EMI Control/Status Register (ECSR) | B-18 |
| Figure B-7 | EMI Base Address and Offset Registers | B-19 |
| Figure B-8 | EMI Data Registers | B-20 |
| Figure B-9 | EMI Refresh Control Register (ERCR) | B-21 |
| Figure B-10 | SHI Slave Address and Clock Control Registers | B-22 |
| Figure B-11 | SHI Host Data Registers | B-23 |
| Figure B-12 | SHI Control/Status Register (HCSR) | B-24 |
| Figure B-13 | SAI Receiver Control/Status Register (RCS) | B-25 |
| Figure B-14 | SAI Transmitter Control/Status Register (TCS) | B-26 |
| Figure B-15 | SAI Baud Rate Control and Receive Data Registers | B-27 |
| Figure B-16 | SAI Transmit Data Registers | B-28 |
| Figure B-17 | GPIO Control/Data Register (GPIOR) | B-29 |
| Figure C-1 | Topology of DSP Typical Audio Application | C-3 |
| Figure C-2 | Using the DSP56004 for Surround Sound | C-4 |
| Figure C-3 | Single Delay Line | C-6 |
| Figure C-4 | Two-Channel Comb Filter Structure | C-9 |
| Figure C-5 | 3 Tap FIR Filter | C-11 |

LIST OF TABLES

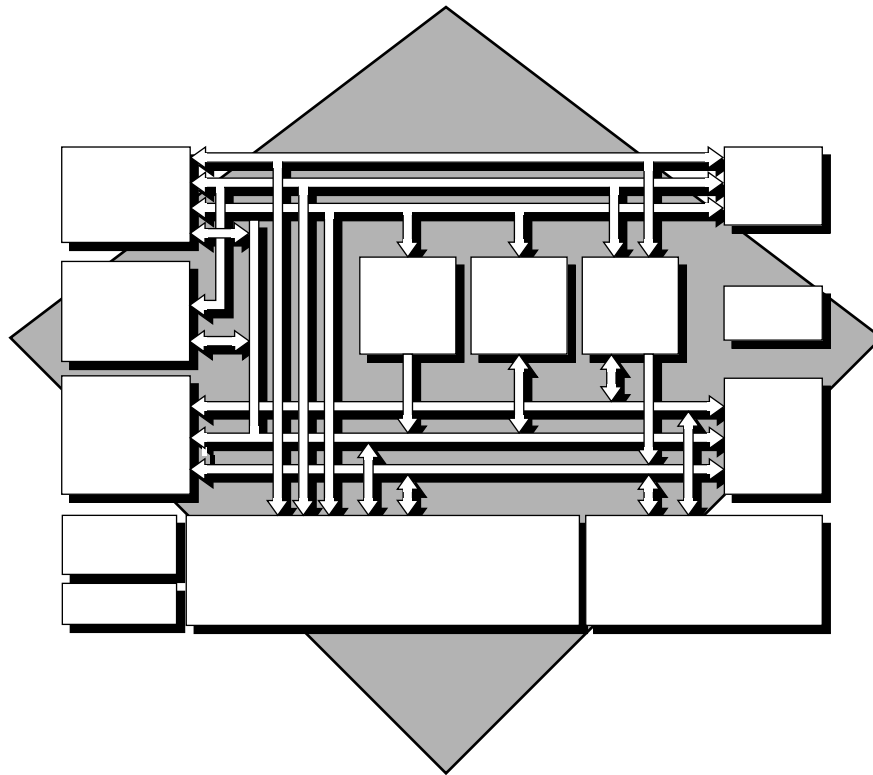
| | | |
|------------|--|------|
| Table 1-1 | High True / Low True Signal Conventions. | 1-6 |
| Table 1-2 | Interrupt Starting Addresses and Sources. | 1-13 |
| Table 1-3 | On-chip Peripheral Memory Map. | 1-16 |
| Table 2-1 | DSP56004 Functional Group Signal Allocations. | 2-3 |
| Table 2-2 | Power Inputs | 2-5 |
| Table 2-3 | Grounds. | 2-5 |
| Table 2-4 | Clock and PLL Signals | 2-6 |
| Table 2-5 | External Memory Interface (EMI) Signals | 2-7 |
| Table 2-6 | EMI Operating States | 2-9 |
| Table 2-7 | Interrupt and Mode Control Signals. | 2-10 |
| Table 2-8 | Serial Host Interface (SHI) signals | 2-14 |
| Table 2-9 | Serial Audio Interface (SAI) Receiver signals | 2-18 |
| Table 2-10 | Serial Audio Interface (SAI) Transmitter signals | 2-20 |
| Table 2-11 | General Purpose I/O (GPIO) Signals | 2-21 |
| Table 2-12 | On-Chip Emulation Port Signals | 2-22 |
| Table 3-1 | Memory Configurations (Word width is 24 bits). | 3-3 |
| Table 3-2 | Internal I/O Memory Map. | 3-7 |
| Table 3-3 | Operating Modes. | 3-11 |
| Table 3-4 | Interrupt Priorities | 3-12 |

| | | |
|------------|--|------|
| Table 3-5 | Interrupt Vectors. | 3-13 |
| Table 4-1 | EMI Interrupt Vector. | 4-5 |
| Table 4-2 | EMI Internal Interrupt Priorities. | 4-5 |
| Table 4-3 | EMI Memory Accesses and Locations Per Word. | 4-10 |
| Table 4-4 | EMI Word Length | 4-11 |
| Table 4-5 | EMI Addressing Modes | 4-12 |
| Table 4-6 | EMI Maximum SRAM Size. | 4-13 |
| Table 4-7 | EMI Maximum DRAM Size (Relative Addressing) | 4-14 |
| Table 4-8 | EMI Maximum DRAM Size (Absolute Addressing) | 4-15 |
| Table 4-9 | EMI Read/Write Interrupt Select. | 4-17 |
| Table 4-10 | EMI DRAM Timing (clock cycles per word transfer). | 4-19 |
| Table 4-11 | EMI SRAM Timing (clock cycles per word transfer). | 4-20 |
| Table 4-12 | Relative Addressing Extension Bits | 4-24 |
| Table 4-13 | Word Address to Physical Address Mapping for SRAM. | 4-26 |
| Table 4-14 | Word-Address-to-Physical-Address Mapping for DRAM | 4-28 |
| Table 4-15 | Address Generation For DRAM Relative Addressing | 4-29 |
| Table 4-16 | Word-to-Physical-Address Mapping for DRAM Absolute Addressing | 4-31 |
| Table 4-17 | Typical DRAM Refresh Timing Requirements | 4-35 |
| Table 4-18 | Continuous Refresh: Timings And Settings For EPS[1:0] And ECD[7:0] | 4-36 |
| Table 4-19 | Burst Refresh: Timings And Settings For EPS[1:0] And ECD[7:0]. | 4-36 |

| | | |
|------------|---|------|
| Table 4-20 | Maximum DSP Clock Frequencies When Using DRAM | 4-50 |
| Table 4-21 | Maximum DSP Clock Frequencies When Using SRAM | 4-51 |
| Table 4-22 | Maximum DSP Clock Frequencies When Using EPROM. | 4-51 |
| Table 5-1 | SHI Interrupt Vectors. | 5-6 |
| Table 5-2 | SHI Internal Exception Priorities | 5-6 |
| Table 5-3 | SHI Noise Reduction Filter Mode | 5-12 |
| Table 5-4 | SHI Data Size | 5-14 |
| Table 5-5 | HREQ Function In SHI Slave Modes. | 5-15 |
| Table 5-6 | HCSR Receive Interrupt Enable Bits. | 5-17 |
| Table 6-1 | SAI Interrupt Vector Locations. | 6-9 |
| Table 6-2 | SAI Internal Interrupt Priorities | 6-9 |
| Table 6-3 | Receiver Word Length Control | 6-11 |
| Table 6-4 | Transmitter Word Length. | 6-18 |
| Table 7-1 | GPIO Pin Configuration. | 7-4 |
| Table B-1 | Interrupt Starting Addresses and Sources. | B-5 |
| Table B-2 | Interrupt Priorities Within an IPL | B-6 |
| Table B-3 | Instruction Set Summary. | B-7 |

SECTION 1

OVERVIEW





| | | |
|-----|---------------------------------------|-----|
| 1.1 | INTRODUCTION | 1-3 |
| 1.2 | DSP56004 FEATURES | 1-6 |
| 1.3 | DSP56004 ARCHITECTURAL OVERVIEW | 1-8 |

1.1 INTRODUCTION

This manual describes in detail the DSP56004 24-bit Digital Signal Processor (DSP), its memory, operating modes, and peripheral modules. This manual is intended to be used with the *DSP56000 Family Manual* (DSP56KFAMUM/AD) and the *DSP56004 Technical Data sheet* (DSP56004/D). The family manual describes the Central Processing Unit (CPU), programming models, and the instruction set. The data sheet provides electrical specifications, timing, pinouts, and packaging descriptions. These documents, as well as Motorola's DSP development tools, can be obtained through a local Motorola Semiconductor Sales Office or authorized distributor.

To receive the latest information, access the Motorola DSP home page located at

<http://www.motorola-dsp.com>

The DSP56004 is a general purpose DSP designed for audio and sound effects applications. It is based on the DSP56000 core architecture and implemented in the same scalable technology as the DSP56002, DSP56005, DSP56007, and other 24-bit DSP56000 modular products. This DSP is available in two versions: the DSP56004 and the DSP56004ROM. The two devices are identical in every way, except for their memory configuration; specifically, the amount of ROM and RAM available differs between the two devices (see **Section 3, Memory, Operating Modes, and Interrupts**). Also, the programs stored in ROM are not the same on the two variants (see **Appendix A, Bootstrap and ROM Code Listings**). The DSP56004 also provides the following on-chip peripherals to support audio processing functions:

- **External Memory Interface (EMI)**— interfaces DRAM, SRAM, and EPROM; the DRAM interface is specifically designed to provide access to a large, inexpensive memory space, such as that required by many audio applications
- **Serial Host Interface (SHI)**—simple communications and control interface between a host processor and the DSP
- **Serial Audio Interface (SAI)**—user-programmable interface that provides support for a wide variety of serial audio formats to support a number of standard audio devices
- **Dedicated General Purpose Input/Output (GPIO) Signals**— four additional individually controlled input or output signals

The DSP56004 has the power and ease-of-programming required for stand-alone, embedded applications. The versatile, on-board peripherals allow the DSP to be easily connected to almost any other processor with little or no additional logic. The low pin-count (80 pins) allows the DSP56004 to be available in a small, inexpensive package.

1.1.1 Manual Organization

This manual includes the following sections:

- *Section 1—Overview* furnishes an description of the manual organization and provides a brief description of the DSP56004.
- *Section 2—Signal Descriptions* describes the DSP56004 signals and signal groupings.
- *Section 3—Memory, Operating Modes, and Interrupts* describes the internal memory organization, operating modes, interrupt processing, and chip initialization during hardware reset.
- *Section 4—External Memory Interface* describes the External Memory Interface (EMI) port (Port A), its registers, and its controls.
- *Section 5—Serial Host Interface* describes the operation, registers, and control of the Serial Host Interface (SHI).
- *Section 6—Serial Audio Interface* describes the operation of the Serial Audio Interface (SAI), its registers, and its controls.
- *Section 7—General Purpose I/O* describes the four dedicated General Purpose Input/Output (GPIO) pins, the GPIO registers, and GPIO control.
- *Appendix A—Bootstrap Code Listings* lists the code used to bootstrap the DSP56004.
- *Appendix B—Programming Reference* provides a quick reference for the instructions and registers used by the DSP56004. These sheets are provided with the expectation that they be photocopied and used by programmers when programming the registers.
- *Appendix C—Application Examples* provides a selection of typical circuit block diagrams and coding examples.

1.1.2 Manual Conventions

The following conventions are used in this manual:

- The word “reset” is used in three different contexts in this manual. There is a reset pin that is always written as “ $\overline{\text{RESET}}$,” there is a reset instruction that is always written as “RESET”, and the word reset, used to refer to the reset function, is written in lower case (with a leading capital letter as grammar dictates.)
- Bits within a register are indicated AA[n:0] when more than one bit is involved in a description. For purposes of description, the bits are presented as if they are contiguous within the register; however, this is not always the case. Refer to the programming model diagrams or to the programming sheets to see the exact location of bits within a register.
- When a bit is described as “set,” its value is 1. When a bit is described as “cleared,” its value is 0.
- Hex (hexadecimal) values are indicated with a dollar sign (\$) preceding the hex value, as in “\$FFFF is the X memory address for the Interrupt Priority Register (IPR).”
- Code examples are displayed in a monospaced font, as shown in **Example 1-1**.

Example 1-1 Sample Code Listing

```

movep #0,x:EOR0      ; drive 2nd read trigger

bset #ERTS,x:ECSR    ; set read triggers by reading EDDR

do #(N-2),end_OL     ; loop to drive more (N-2) triggers

```

- Pins or signals listed in code examples that are asserted low have a tilde (~) in front of their names.
- The word “assert” means that a high true (active high) signal is pulled high (to V_{CC}) or that a low true (active low) signal is pulled low (to ground).
- The word “deassert” means that a high true signal is pulled low (to ground) or that a low true signal is pulled high (to V_{CC}).
- Overbars are used to indicate a signal that is active when pulled to ground (see **Table 1-1**). For example, the $\overline{\text{RESET}}$ pin is active when pulled to ground. Therefore, references to the $\overline{\text{RESET}}$ pin will always have an overbar. Such pins and signals are also said to be “active low” or “low true.”

Table 1-1 High True / Low True Signal Conventions

| Signal/Symbol | Logic State | Signal State | Voltage |
|--|-------------|--------------|------------------------------|
| PIN ¹ | True | Asserted | V _{CC} ³ |
| PIN ¹ | False | Deasserted | Ground ² |
| $\overline{\text{PIN}}^{\overline{1}}$ | True | Asserted | Ground ² |
| $\overline{\text{PIN}}^{\overline{1}}$ | False | Deasserted | V _{CC} ³ |

Note:

1. PIN is a generic term for any pin on the device.
2. Ground is an acceptable low voltage level. See the appropriate data sheet for the range of acceptable low voltage levels (typically a TTL logic low).
3. V_{CC} is an acceptable high voltage level. See the appropriate data sheet for the range of acceptable high voltage levels (typically a TTL logic high).

1.2 DSP56004 FEATURES

The DSP56004 consists of the DSP56000 core, program and data memory, and peripherals useful for embedded control applications. The following paragraphs provide a list of DSP56004 features and a brief description of its core and peripheral components.

- General Features
 - Harvard architecture, with four 24-bit internal data buses and three 16-bit internal address buses, permitting simultaneous accesses to program memory and two data memories
 - Software-programmable, Phase Lock Loop (PLL) frequency synthesizer for the core clock with a wide range of frequency multiplications (1 to 4096) and power-saving clock divider (2^i , where $i = 0$ to 15) for reduced clock noise
 - On-Chip Emulation (OnCE™) port for unobtrusive, comprehensive, processor speed-independent hardware/software debugging
 - Stop and Wait low-power standby modes
 - Efficient, object code compatible, 24-bit 56000-family DSP engine
 - On-chip peripheral registers memory-mapped in data memory space

DSP56004 Features

- Three external interrupt request pins
- Data Arithmetic Logic Unit (Data ALU), Program Control Unit (PCU), and Address Generation Unit (AGU) all integral to the core processor
- Bootstrap loading from SHI or EMI (in absolute SRAM mode)
- Completely pin-compatible with DSP56004 and DSP56007 for easy upgrades
- Fully static, HCMOS design for operating frequencies from maximum specified operating frequency down to DC
- 80-pin plastic Quad Flat Pack surface-mount package; $14 \times 14 \times 2.45$ mm; 0.65 mm lead pitch
- Highly parallel instruction set with unique DSP addressing modes
- Two 56-bit accumulators, including extension byte
- Parallel 24×24 -bit multiply-accumulate in 1 instruction cycle (2 clock cycles)
- Double precision 48×48 -bit multiply with 96-bit result in 6 instruction cycles
- 56-bit addition/subtraction in 1 instruction cycle
- Fractional and integer arithmetic with support for multiprecision arithmetic
- Hardware support for block-floating point Fast Fourier Transforms (FFTs)
- Zero-overhead fast interrupts (2 instruction cycles)
- Nested hardware DO loops
- On-chip Memory Modules (refer to **Section 3** for detailed information)
- Peripheral modules:
 - External Memory Interface (EMI), implemented as a peripheral, supporting:
 - Direct connection of page-mode DRAMs: $64 \text{ K} \times 4$ bits, $64 \text{ K} \times 8$ bits, $256 \text{ K} \times 4$ bits, $256 \text{ K} \times 8$ bits, $1 \text{ M} \times 4$ bits, $1 \text{ M} \times 8$ bits, $4 \text{ M} \times 4$ bits, and $4 \text{ M} \times 8$ bits
 - SRAMs (one to four): $256 \text{ K} \times 8$ bits
 - Bootstrap from EPROM
 - Data bus may be 4 or 8 bits wide

- Data words may be 8, 12, 16, 20, or 24 bits wide
- Serial Host Interface (SHI): SPI and I²C protocols, single master capability, 10-word receive FIFO register, support for 8-, 16-, and 24-bit words
- Serial Audio Interface (SAI) includes two receivers and three transmitters, master or slave capability, and implementation of Philips, Sony, and Matsushita audio protocols; two complete sets of SAI interrupt vectors
- Four independent, programmable GPIO lines

1.3 DSP56004 ARCHITECTURAL OVERVIEW

The DSP56004 is a member of the 24-bit DSP56000 family. The DSP is composed of the 24-bit DSP56000 core, memory, and a set of peripheral modules, as shown in **Figure 1-1** on page 1-9. The 24-bit DSP56000 core is composed of a Data ALU, an Address Generation Unit (AGU), a Program Control Unit (PCU), an On-Chip Emulation (OnCE) port, and a PLL designed to allow the DSP to run at full speed while using a low-speed clock. The DSP56000-family architecture, upon which the DSP56004 is built, was designed to maximize throughput in data-intensive digital signal processing applications. The result is a dual-natured, expandable architecture with sophisticated on-chip peripherals and versatile GPIO.

The DSP56000 core is dual-natured in that there are two independent, expandable data memory spaces, two address arithmetic units, and a Data ALU that has two accumulators and two shifter/limiters. The duality of the architecture makes it easier to write software for DSP applications. For example, data is naturally partitioned into coefficient and data spaces for filtering and transformations, and into real and imaginary spaces for performing complex arithmetic.

The DSP56000 architecture is especially suited for audio applications since its arithmetic operations are executed on 24-bit or 48-bit data words. This is a significant advantage for audio over 16-bit and 32-bit architectures: 16-bit DSP architectures have insufficient precision for CD-quality sound, and while 32-bit DSP architectures possess the necessary precision, with extra silicon and cost overhead they are not suitable for high-volume, cost-driven audio applications.

- **Serial Host Interface (SHI)**—The SHI provides a fast, yet simple serial interface to connect the DSP56004 to a host processor or to another serial peripheral device. Two serial protocols are available: the Motorola Serial Peripheral Interface (SPI) bus and the Philips Inter Integrated-circuit Control (I²C) bus. The SHI will operate with 8-, 16-, and 24-bit words and the receiver has an optimal 10-word FIFO register to reduce the receive interrupt rate.
- **Serial Audio Interface (SAI)**—The SAI provides a synchronous serial interface that allows the DSP56004 to communicate using a wide range of standard serial data formats used by audio manufacturers at bit rates up to one-third the DSP core clock rate (e.g., 27 MHz for a 81 MHz clock). There are three synchronized data transmission lines and two synchronized data reception lines, all of which are double-buffered.
- **General Purpose Input/Output (GPIO)**—The GPIO has four dedicated signals that can be independently programmed to be inputs, standard TTL outputs, open collector outputs, or disconnected.

1.3.2 DSP Core Processor

The 24-bit DSP56000 core is composed of a Data ALU, an AGU, a PC, and the buses that connect them together. The OnCE port and a PLL are integral parts of this processor. **Figure 1-1** on page 1-9 illustrates the DSP block diagram, showing the components of the core processor, as well as the peripherals specific to the DSP56004. The following paragraphs present a brief overview of the DSP56000 core processor. For more thorough detail, refer to the *DSP56000 Family Manual*.

1.3.2.1 Data Arithmetic and Logic Unit (Data ALU)

The Data Arithmetic and Logic Unit (ALU) has been designed to be fast and provide the capability to process signals having a wide dynamic range. Special circuitry has been provided to facilitate the processing of data overflows and round-off errors. The Data ALU performs all of the arithmetic and logical operations on data operands. The Data ALU consists of four 24-bit input registers, two 48-bit accumulator registers (also usable as four 24-bit accumulators), two 8-bit accumulator extension registers, an accumulator shifter, two data shifter/limiters, and a parallel single-cycle non-pipelined Multiplier-Accumulator (MAC). Data ALU operations use fractional two's-complement arithmetic. Data ALU registers may be read or written over the X Data Bus (XDB) and Y Data Bus (YDB) as 24- or 48-bit operands. The 24-bit data words provide 144 dB of dynamic range. This is sufficient for most real-world applications, including high-quality audio applications, since the majority of Analog-to-Digital (A/D) and Digital-to-Analog (D/A) converters are 16 bits or less, and certainly not greater than 24 bits. The 56-bit accumulation internal to the

Data ALU provides 336 dB of internal dynamic range, assuring no loss of precision due to intermediate processing.

Two data shifter/limiters provide special post-processing on data reads (from the Data ALU accumulator registers and directed to the XDB or YDB). The data shifters are capable of shifting data one bit to the left or to the right, as well as passing the data unshifted. Each data shifter has a 24-bit output with overflow indication. The data shifters are controlled by scaling-mode bits. These shifters permit no-overhead dynamic scaling of fixed point data by simply programming the scaling mode bits. This permits block floating-point algorithms to be implemented efficiently. For example, Fast Fourier Transform (FFT) routines can use this feature to selectively scale each butterfly pass. Saturation arithmetic is accommodated to minimize errors due to overflow. Overflow occurs when a source operand requires more bits for accurate representation than there are available in the destination. To minimize the error due to overflow, “limiting” causes the maximum (or minimum, if negative) value to be written to the destination with an error flag.

1.3.2.2 Address Generation Unit (AGU)

The Address Generation Unit (AGU) performs all address storage and effective address calculations necessary to access data operands in memory. It implements three types of arithmetic to update addresses—linear, modulo, and reverse carry. This unit operates in parallel with other chip resources to minimize address generation overhead. The AGU contains eight address registers R0–R7 (i.e., Rn), eight offset registers N0–N7 (i.e., Nn), and eight modifier registers M0–M7 (i.e., Mn). The Rn registers are 16-bit registers that may contain an address or data. Each Rn register may provide addresses to the X memory Address Bus (XAB), Y memory Address Bus (YAB), and the Program Address Bus (PAB). The Nn and Mn registers are 16-bit registers that are normally used to update the Rn registers, but may be used for data.

AGU registers may be read from or written to via the Global Data Bus as 16-bit operands. The AGU has two modulo arithmetic units that can generate two independent 16-bit addresses every instruction cycle for any two of the XAB, YAB, or PAB.

1.3.2.3 Program Control Unit (PCU)

The Program Control Unit (PCU) performs instruction prefetch, instruction decoding, hardware DO loop control, and exception processing. It contains six directly addressable registers—the Program Counter (PC), Loop Address (LA), Loop Counter (LC), Status Register (SR), Operating Mode Register (OMR), and Stack Pointer (SP). The PCU also contains a 15 level by 32-bit system stack memory. The 16-bit PC can address 65,536 (64 K) locations in program memory space.

1.3.2.4 Data Buses

Data movement on the chip occurs over four bidirectional 24-bit buses—the X Data Bus (XDB), the Y Data Bus (YDB), the Program Data Bus (PDB), and the Global Data Bus (GDB). Certain instructions concatenate XDB and YDB to form a 48-bit data bus. Data transfers between the Data ALU and the two data memories, X and Y, occur over the XDB and YDB, respectively. These transfers can occur simultaneously on the DSP, maximizing data throughput. All other data transfers, such as I/O transfers to internal peripherals, occur over the GDB. Instruction word pre-fetches take place over the PDB in parallel with data transfers. Transfers between buses are accomplished through the internal bus switch.

1.3.2.5 Address Buses

Addresses are specified for internal X data memory and Y data memory using two unidirectional 16-bit buses—the X Address Bus (XAB) and the Y Address Bus (YAB). Program memory addresses are specified using the 16-bit Program Address Bus (PAB).

1.3.2.6 Phase Lock Loop (PLL)

The Phase Lock Loop (PLL) reduces the need for multiple oscillators in a system design, thus reducing the overall system cost. An additional benefit of the PLL is that it permits the use of a low-frequency external clock with no sacrifice of processing speed. The PLL converts the low-frequency external clock to the high speed internal clock needed to run the DSP at maximum speed. This diminishes the electromagnetic interference generated by high frequency clocking. The PLL performs frequency multiplication to allow the processor to use almost any available external system clock for full-speed operation. It also improves the synchronous timing of the processor's external memory port, significantly reducing the timing skew between EXTAL and the internal chip phases when the Multiplication Factor (MF) ≤ 4 . The PLL is unique in that it provides a low power divider on its output, which can reduce or restore the chip operating frequency without losing the PLL lock.

1.3.2.7 On-Chip Emulation (OnCE) Port

The On-Chip Emulation (OnCE) port provides a sophisticated debugging tool that allows simple, inexpensive, and speed-independent access to the processor's internal registers and peripherals. The OnCE port tells the application programmer the exact status of most of the on-chip registers, memory locations, and buses, as well as storing the addresses of the last five instructions that were executed.

1.3.3 Memories

The three independent memory spaces of the DSP56004—X data, Y data, and program—and their configurations are discussed briefly here. See **Section 3, Memory, Operating Modes, and Interrupts** for more detail.

1.3.3.1 Program Memory

The on-chip program memory is 24-bits wide. Addresses are received from the PCU (usually from the Program Counter) over the Program Address Bus (PAB). Program memory may be written using MOVEM instructions. The interrupt vectors are located in the bottom 128 locations of program memory. **Table 1-2** lists the interrupt vector addresses and indicates the Interrupt Priority Level (IPL) of each interrupt source.

Program RAM has many advantages. It provides a means to develop code efficiently. Programs can be changed dynamically, allowing efficient overlaying of DSP software algorithms. In this way the on-chip Program RAM operates as a fixed cache, thereby minimizing accesses to slower external memory.

The Bootstrap mode, described in Appendix A, provides a convenient, low-cost method to load the DSP56004 Program RAM from a single, inexpensive EPROM connected to the EMI, or through the SHI, using either SPI or I²C formats, after a power-on reset.

Table 1-2 Interrupt Starting Addresses and Sources

| Interrupt Starting Address | IPL | Interrupt Source |
|----------------------------|-----|---|
| P:\$0000 | 3 | Hardware RESET |
| P:\$0002 | 3 | Stack Error |
| P:\$0004 | 3 | Trace |
| P:\$0006 | 3 | SWI |
| P:\$0008 | 0-2 | IRQA |
| P:\$000A | 0-2 | IRQB |
| P:\$000C | — | Reserved |
| P:\$000E | — | Reserved |
| P:\$0010 | 0-2 | SAI Left Channel Transmitter if TXIL = 0 |
| P:\$0012 | 0-2 | SAI Right Channel Transmitter if TXIL = 0 |
| P:\$0014 | 0-2 | SAI Transmitter Exception if TXIL = 0 |
| P:\$0016 | 0-2 | SAI Left Channel Receiver if RXIL = 0 |

Table 1-2 Interrupt Starting Addresses and Sources (Continued)

| Interrupt Starting Address | IPL | Interrupt Source |
|----------------------------|-----|---|
| P:\$0018 | 0-2 | SAI Right Channel Receiver if RXIL = 0 |
| P:\$001A | 0-2 | SAI Receiver Exception if RXIL = 0 |
| P:\$001C | — | Reserved |
| P:\$001E | 3 | $\overline{\text{NMI}}$ |
| P:\$0020 | 0-2 | SHI Transmit Data |
| P:\$0022 | 0-2 | SHI Transmit Underrun Error |
| P:\$0024 | 0-2 | SHI Receive FIFO Not Empty |
| P:\$0026 | — | Reserved |
| P:\$0028 | 0-2 | SHI Receive FIFO Full |
| P:\$002A | 0-2 | SHI Receive Overrun Error |
| P:\$002C | 0-2 | SHI Bus Error |
| P:\$002E | — | Reserved |
| P:\$0030 | 0-2 | EMI Write Data |
| P:\$0032 | 0-2 | EMI Read Data |
| P:\$0034 | 0-2 | EMI EBAR0 Memory Wrap |
| P:\$0036 | 0-2 | EMI EBAR1 Memory Wrap |
| P:\$0038 | — | Reserved |
| P:\$003A | — | Reserved |
| P:\$003C | — | Reserved |
| P:\$003E | 3 | Illegal Instruction |
| P: \$0040 | 0-2 | SAI Left Channel Transmitter if TXIL = 1 |
| P: \$0042 | 0-2 | SAI Right Channel Transmitter if TXIL = 1 |
| P: \$0044 | 0-2 | SAI Transmitter Exception if TXIL = 1 |
| P: \$0046 | 0-2 | SAI Left Channel Receiver if RXIL = 1 |
| P: \$0048 | 0-2 | SAI Right Channel Receiver if RXIL = 1 |
| P: \$004A | 0-2 | SAI Receiver Exception if RXIL = 1 |
| P: \$004C | — | Reserved |
| : | — | : |
| P: \$007E | — | Reserved |

DSP56004 Architectural Overview**1.3.3.2 X Data Memory**

The on-chip X data memory is 24 bits wide. Addresses are received from the XAB, and data transfers to the Data ALU occur on the XDB.

1.3.3.3 Y Data Memory

The on-chip Y data memory is 24 bits wide. Addresses are received from the YAB, and data transfers to the Data ALU occur on the YDB.

1.3.3.4 Bootstrap ROM

The bootstrap ROM occupies locations 0–31 (\$0–\$1F) and 256–287 (\$100–\$11F) in two areas in the memory map on the DSP56004. The bootstrap ROM is factory-programmed to perform the bootstrap operation following hardware reset; it either jumps to the user's ROM starting address (P:\$2000) or downloads up to 512 words of user program from either the EMI port or the SHI port (in SPI or I²C format). The bootstrap ROM activity is controlled by the bits MA, MB, and MC, which are located in the OMR. When in the Bootstrap mode, the first 512 words of Program RAM are read-disabled but write-accessible. The contents of the bootstrap ROM are listed in Appendix A.

Note: The DSP56004 contains no Program ROM, but it has 512 words of Program RAM. The DSP56004ROM contain a Program ROM, but it has only 256 words of Program RAM. The bootstrap code for each version is written appropriately for each type chip.

1.3.3.5 External Memory

The DSP56004 does not extend internal memory off chip. However, external memory can be added using the EMI. See **Section 4, External Memory Interface** for a detailed description of the EMI.

1.3.3.6 Reserved Memory Spaces

The memory spaces marked as reserved should not be accessed by the user. They are reserved for the expansion of future versions or variants of this DSP. Write operations to the reserved range are ignored. Read operations from addresses in the reserved range (with values greater than or equal to \$2C00 in X memory space and \$2700 in Y memory space, and values from the reserved area of program memory space), return the value \$000005, which is the opcode for the ILLEGAL instruction. If a read access is performed from the reserved area below address \$2000 in X or Y data memory, the resulting data will be undetermined. If an instruction fetch is attempted from addresses in the reserved area, the value returned is \$000005, which is the opcode for the ILLEGAL instruction, causing an illegal instruction interrupt service.

1.3.4 Input/Output

A variety of system configurations are facilitated by the DSP56004 Input/Output (I/O) structure. Each I/O interface has its own control, status, and double-buffered data registers that are memory-mapped in the X data memory space (see **Table 1-3**).

Table 1-3 On-chip Peripheral Memory Map

| Address | Register |
|----------|--|
| X:SFFFF | Interrupt Priority Register (IPR) |
| X:SFFFE | Reserved |
| X:SFFFD | PLL Control Register (PCTL) |
| X:SFFFC | Reserved |
| X:SFFFB | Reserved |
| X:SFFFA | Reserved |
| X:SFFF9 | Reserved |
| X:SFFF8 | Reserved |
| X:SFFF7 | GPIO Control/Data Register (GPIOR) |
| X:SFFF6 | EMI Write Offset Register (EWOR) |
| X:SFFF5 | Reserved |
| X:SFFF4 | Reserved |
| X:SFFF3 | SHI Receive FIFO/Transmit Register (HRX/HTX) |
| X:SFFF2 | SHI I ² C Slave Address Register (HSAR) |
| X:SFFF1 | SHI Host Control/Status Register (HCSR) |
| X:SFFF0 | SHI Host Clock Control Register (HCKR) |
| X:SFFFEF | EMI Refresh Control Register (ERCR) |
| X:SFFFE | EMI Data Register 1 (EDRR1/EDWR1) |
| X:SFFED | EMI Offset Register 1 (EOR1) |
| X:SFFEC | EMI Base Address Register 1 (EBAR1) |
| X:SFFEB | EMI Control/Status Register (ECSR) |
| X:SFFEA | EMI Data Register 0 (EDRR0/EDWR0) |
| X:SFFE9 | EMI Offset Register 0 (EOR0) |
| X:SFFE8 | EMI Base Address Register 0 (EBAR0) |
| X:SFFE7 | SAI TX2 Data Register (TX2) |
| X:SFFE6 | SAI TX1 Data Register (TX1) |

Table 1-3 On-chip Peripheral Memory Map (Continued)

| Address | Register |
|----------|--------------------------------------|
| X:\$FFE5 | SAI TX0 Data Register (TX0) |
| X:\$FFE4 | SAI TX Control/status Register (TCS) |
| X:\$FFE3 | SAI RX1 Data Register (RX1) |
| X:\$FFE2 | SAI RX0 Data Register (RX0) |
| X:\$FFE1 | SAI RX Control/Status Register (RCS) |
| X:\$FFE0 | SAI Baud Rate Control Register (BRC) |
| X:\$FFDF | Reserved |
| : | : |
| X:\$FFC0 | Reserved |

The EMI, SHI, and SAI also have several dedicated interrupt vector addresses and control bits to enable and disable interrupts (see **Table 1-2** on page 1-13). These interrupt vectors minimize the overhead associated with servicing an interrupt by immediately executing the appropriate service routine. Each interrupt can be programmed to one of three maskable priority levels.

1.3.4.1 External Memory Interface

The External Memory Interface (EMI) is an I/O interface that enables the DSP to access external dynamic and/or static memory with little or no additional logic. The EMI is implemented as a buffered peripheral rather than a transparent extension to internal memory. This interface facilitates the storage of audio samples for digital reverberation algorithms and permits simple implementation of large data delay buffers in external memory. The EMI on the DSP56004 is designed to connect directly to Dynamic RAM (DRAM) of the following sizes:

- One or two 256 K × 4-bit chips
- One or two 1 M × 4-bit chips
- One or two 4 M × 4-bit chips

When using Static RAM (SRAM), the EMI may directly access up to 256 K × 8 bits. The external data bus width may be 4 or 8 bits. Data words of 8, 12, 16, 20 or 24 bits may be stored and retrieved via the EMI with automatic packing and unpacking. In addition, the EMI may be selected to operate in the SRAM/EPROM Absolute Addressing mode. This allows connection to external memory devices for program bootstrap and data storage, as well as general parallel access to peripheral devices.

1.3.4.2 Serial Host Interface (SHI)

The Serial Host Interface (SHI) provides a serial path for communication and program/coefficient data transfers between the DSP and an external host processor or other serial peripheral devices. This interface can connect directly to one of two well-known and widely-used synchronous serial buses: the Serial Peripheral Interface (SPI) bus defined by Motorola and the Inter Integrated-circuit Control (I²C) bus defined by Philips. The SHI handles both SPI and I²C bus protocols as required from a slave or a single-master device. In order to minimize DSP overhead, the SHI supports single-, double-, and triple-byte data transfers. An optimal ten-word receive FIFO register reduces the DSP overhead for data reception.

1.3.4.3 Serial Audio Interface (SAI)

The DSP can communicate with other devices through the SAI. The SAI provides a synchronous full-duplex serial port for serial connection with a variety of audio devices, such as Analog-to-Digital (A/D) converters, Digital-to-Analog (D/A) converters, Compact Disk (CD) devices, etc. The SAI implements a wide range of serial data formats in use by audio manufacturers. Examples are:

- I²S format (Philips)
- CDP format (Sony)
- MEC format (Matsushita)
- Most industry-standard serial A/D and D/A formats

The SAI consists of independent transmit and receive sections and a common baud rate generator. The transmitter consists of three transmitters controlled by one transmitter controller. This enables simultaneous data transmission to as many as three stereo audio devices, or transmission of three separate stereo pairs of audio channels. The receiver consists of two receivers and a single receive controller. This enables simultaneous data reception from up to two stereo audio devices. The transmit and receive sections are fully asynchronous and may transmit and receive at different rates.

1.3.4.4 General Purpose Input/Output

The General Purpose Input/Output (GPIO) signals are used for control and handshake functions between the DSP and external circuitry. The GPIO port has four dedicated signals (GPIO0–GPIO3) that are controlled through a memory-mapped register. Associated with each GPIO signal is a data bit, a control bit, and a data direction bit that configures the pin as an input or an output, open-collector or normal. See **Section 7** for detailed information about GPIO operation.

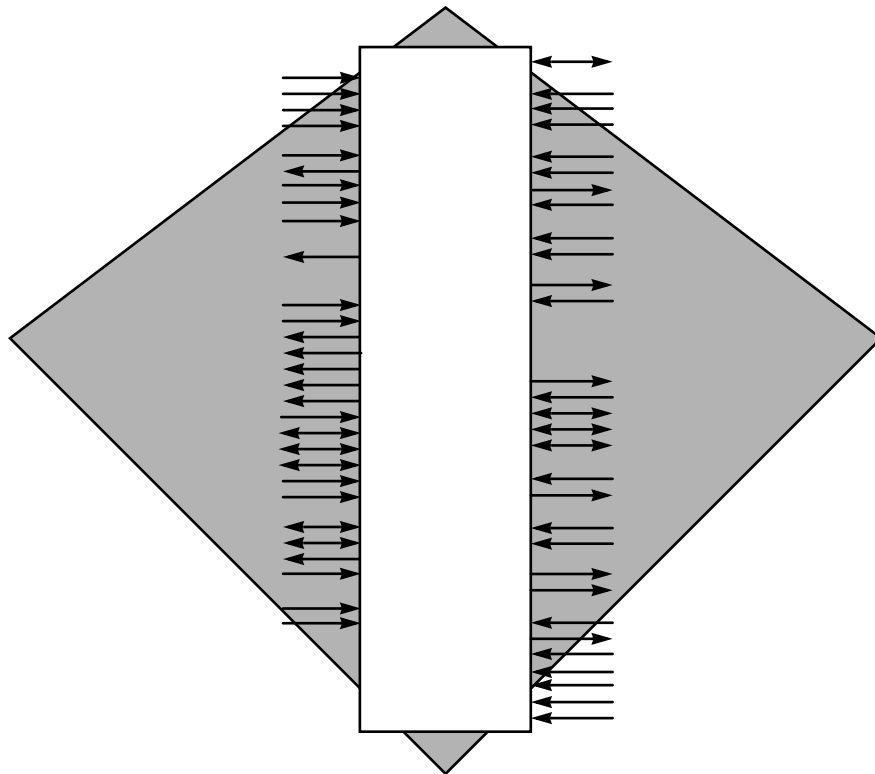




SECTION 2

SIGNAL DESCRIPTIONS

Freescale Semiconductor, Inc.



| | | |
|------|---|------|
| 2.1 | SIGNAL GROUPINGS | 2-3 |
| 2.2 | POWER | 2-5 |
| 2.3 | GROUND | 2-5 |
| 2.4 | CLOCK AND PLL SIGNALS | 2-6 |
| 2.5 | EXTERNAL MEMORY INTERFACE (EMI) | 2-7 |
| 2.6 | INTERRUPT AND MODE CONTROL | 2-10 |
| 2.7 | SERIAL HOST INTERFACE (SHI) | 2-14 |
| 2.8 | SERIAL AUDIO INTERFACE (SAI) | 2-18 |
| 2.9 | GENERAL PURPOSE I/O | 2-21 |
| 2.10 | ON-CHIP EMULATION (ONCETM) PORT | 2-22 |

2.1 SIGNAL GROUPINGS

The DSP56004 input and output signals are organized into the nine functional groups, as shown in **Table 2-1**. The individual signals are illustrated in **Figure 2-1**.

Table 2-1 DSP56004 Functional Group Signal Allocations

| Functional Group | Number of Signals | Detailed Description |
|-------------------------------------|-------------------|---------------------------------|
| Power (V_{CC}) | 9 | Table 2-2 |
| Ground (GND) | 13 | Table 2-3 |
| Phase Lock Loop (PLL) | 3 | Table 2-4 |
| External Memory Interface (EMI) | 29 | Table 2-5 and Table 2-6 |
| Interrupt and Mode Control | 4 | Table 2-7 |
| Serial Host Interface (SHI) | 5 | Table 2-8 |
| Serial Audio Interface (SAI) | 9 | Table 2-9 and Table 2-10 |
| General Purpose Input/Output (GPIO) | 4 | Table 2-11 |
| On-Chip Emulation (OnCE) port | 4 | Table 2-12 |
| Total | 80 | |

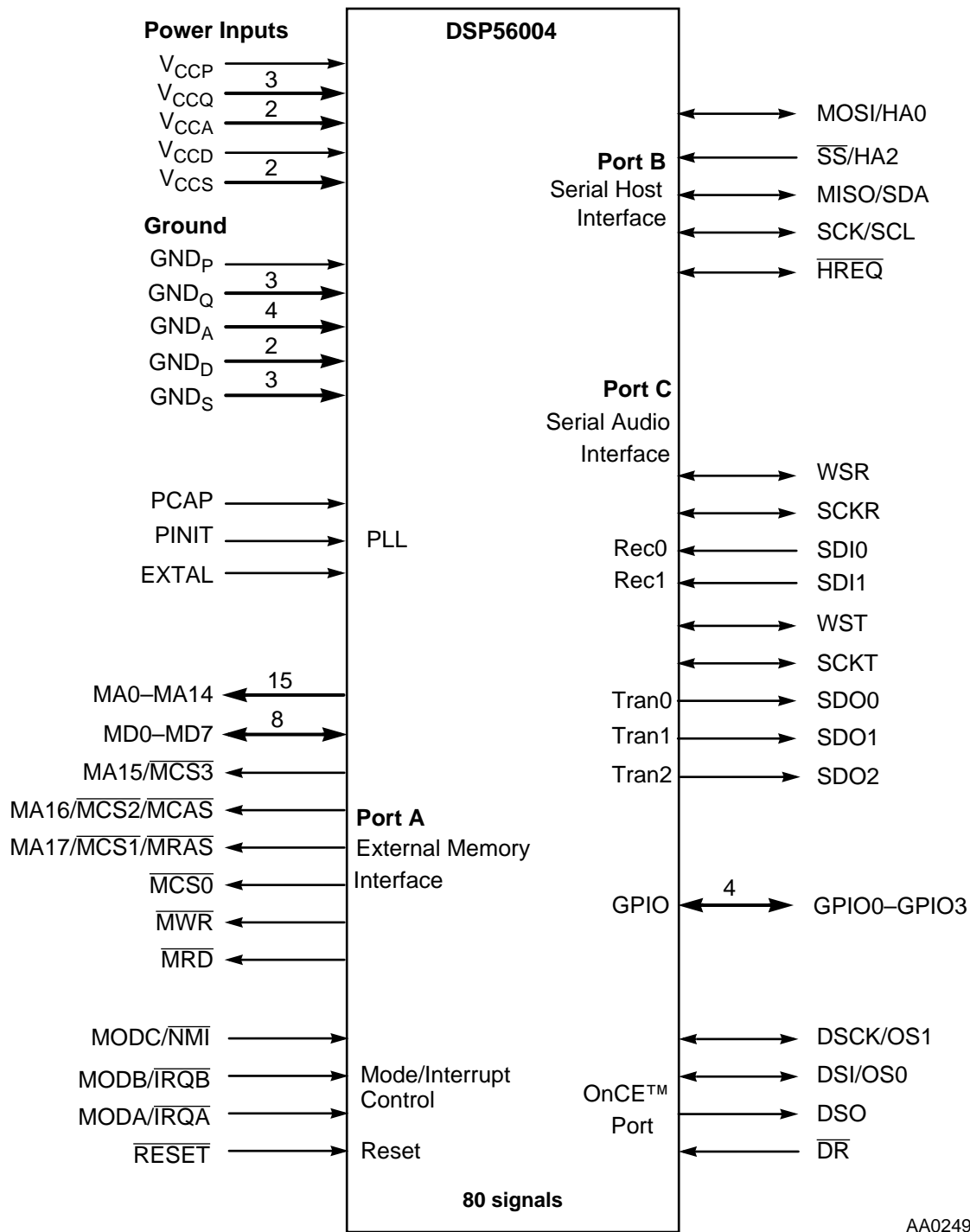


Figure 2-1 DSP56004 Signals

2.2 POWER

Table 2-2 Power Inputs

| Power Name | Description |
|------------|---|
| V_{CCP} | PLL Power — V_{CCP} provides isolated power for the Phase Lock Loop (PLL). The voltage should be well-regulated and the input should be provided with an extremely low impedance path to the V_{CC} power rail. |
| V_{CCQ} | Quiet Power — V_{CCQ} provides isolated power for the internal processing logic. This input must be tied externally to all other chip power inputs. The user must provide adequate external decoupling capacitors. |
| V_{CCA} | Address Bus Power — V_{CCA} provides isolated power for sections of the address bus I/O drivers. This input must be tied externally to all other chip power inputs. The user must provide adequate external decoupling capacitors. |
| V_{CCD} | Data Bus Power — V_{CCD} provides isolated power for sections of the data bus I/O drivers. This input must be tied externally to all other chip power inputs. The user must provide adequate external decoupling capacitors. |
| V_{CCS} | Serial Interface Power — V_{CCS} provides isolated power for the SHI and SAI. This input must be tied externally to all other chip power inputs. The user must provide adequate external decoupling capacitors. |

2.3 GROUND

Table 2-3 Grounds

| Ground Name | Description |
|-------------|--|
| GND_P | PLL Ground — GND_P is ground dedicated for PLL use. The connection should be provided with an extremely low-impedance path to ground. V_{CCP} should be bypassed to GND_P by a 0.47 μ F capacitor located as close as possible to the chip package. |
| GND_Q | Quiet Ground — GND_Q provides isolated ground for the internal processing logic. This connection must be tied externally to all other chip ground connections. The user must provide adequate external decoupling capacitors. |
| GND_A | Address Bus Ground — GND_A provides isolated ground for sections of the address bus I/O drivers. This connection must be tied externally to all other chip ground connections. The user must provide adequate external decoupling capacitors. |

Table 2-3 Grounds (Continued)

| Ground Name | Description |
|------------------|--|
| GND _D | Data Bus Ground —GND _D provides isolated ground for sections of the data bus I/O drivers. This connection must be tied externally to all other chip ground connections. The user must provide adequate external decoupling capacitors. |
| GND _S | Serial Interface Ground —GND _S provides isolated ground for the SHI and SAI. This connection must be tied externally to all other chip ground connections. The user must provide adequate external decoupling capacitors. |

2.4 CLOCK AND PLL SIGNALS

Note: While the PLL on this DSP is identical to the PLL described in the *DSP56000 Family Manual*, two of the signals have not been implemented externally. Specifically, there is no PLOCK signal or CKOUT signal available. Therefore, the internal clock is not directly accessible and there is no external indication that the PLL is locked. These signals were omitted to reduce the number of pins and allow this DSP to be put in a smaller, less expensive package.

Table 2-4 Clock and PLL Signals

| Signal Name | Signal Type | State during Reset | Signal Description |
|-------------|-------------|--------------------|--|
| EXTAL | Input | Input | External Clock/Crystal —This input should be connected to an external clock source. If the PLL is enabled, this signal is internally connected to the on-chip PLL. The PLL can multiply the frequency on the EXTAL pin to generate the internal DSP clock. The PLL output is divided by two to produce a four-phase instruction cycle clock, with the minimum instruction time being two PLL output clock periods. If the PLL is disabled, EXTAL is divided by two to produce the four-phase instruction cycle clock. |

Table 2-4 Clock and PLL Signals (Continued)

| Signal Name | Signal Type | State during Reset | Signal Description |
|-------------|-------------|--------------------|---|
| PCAP | Input | Input | <p>PLL Filter Capacitor—This input is used to connect a high-quality (high “Q” factor) external capacitor needed for the PLL filter. The capacitor should be as close as possible to the DSP with heavy, short traces connecting one terminal of the capacitor to PCAP and the other terminal to V_{CCP}. The required capacitor value is specified in the <i>DSP56004 Technical Data</i> sheets.</p> <p>When short lock time is critical, low dielectric absorption capacitors such as polystyrene, polypropylene, or teflon are recommended.</p> <p>If the PLL is not used (i.e., it remains disabled at all times), there is no need to connect a capacitor to the PCAP pin. It may remain unconnected, or be tied to either V_{cc} or GND.</p> |
| PINIT | Input | Input | <p>PLL Initialization (PINIT)—During the assertion of hardware reset, the value on the PINIT line is written into the PEN bit of the PCTL register. When set, the PEN bit enables the PLL by causing it to derive the internal clocks from the PLL voltage controlled oscillator output. When the bit is cleared, the PLL is disabled and the DSP’s internal clocks are derived from the clock connected to the EXTAL signal. After hardware RESET is deasserted, the PINIT signal is ignored.</p> |

2.5 EXTERNAL MEMORY INTERFACE (EMI)

Table 2-5 External Memory Interface (EMI) Signals

| Signal Name | Signal Type | State during Reset | Signal Description |
|-------------|-------------|--------------------|--|
| MA0–MA14 | Output | Table 2-6 | <p>Memory Address Lines 0–14—MA0–MA10 provide the multiplexed row/column addresses for DRAM accesses and MA0–MA14 provide the non-multiplexed address lines 0–14 for SRAM accesses.</p> |

Table 2-5 External Memory Interface (EMI) Signals (Continued)

| Signal Name | Signal Type | State during Reset | Signal Description |
|--|----------------|--------------------|---|
| MA15/ $\overline{\text{MCS3}}$ | Output | Table 2-6 | Memory Address Line 15 (MA15)/Memory Chip Select 3 (MCS3) —This line functions as the non-multiplexed address line 15 or as memory chip select 3 for SRAM accesses. |
| MA16/ $\overline{\text{MCS2}}$ / $\overline{\text{MCAS}}$ | Output | Table 2-6 | Memory Address Line 16 (MA16)/Memory Chip Select 2 ($\overline{\text{MCS2}}$)/Memory Column Address Strobe ($\overline{\text{MCAS}}$) — This line functions as the non-multiplexed address line 16 or as memory chip select 2 for SRAM accesses. This line also functions as the Memory Column Address Strobe ($\overline{\text{MCAS}}$) during DRAM accesses. |
| MA17/ $\overline{\text{MCS1}}$ / $\overline{\text{MRAS}}$ | Output | Table 2-6 | Memory Address Line 17 (MA17)/Memory Chip Select 1 ($\overline{\text{MCS1}}$)/Memory Row Address Strobe ($\overline{\text{MRAS}}$) —This line functions as the non-multiplexed address line 17 or as chip select 1 for SRAM accesses. This line also functions as the Memory Row Address Strobe during DRAM accesses. |
| $\overline{\text{MCS0}}$ | Output | Table 2-6 | Memory Chip Select 0 —This line functions as memory chip select 0 for SRAM accesses. |
| $\overline{\text{MWR}}$ | Output | Table 2-6 | Memory Write Strobe —This line is asserted when writing to external memory. |
| $\overline{\text{MRD}}$ | Output | Table 2-6 | Memory Read Strobe —This line is asserted when reading external memory. |
| MD0–MD7 | Bi-directional | Tri-stated | Data Bus —These signals provide the bidirectional data bus for EMI accesses. They are inputs during reads from external memory, outputs during writes to external memory, and tri-stated if no external access is taking place. If the data bus width is defined as four bits wide, only signals MD0–MD3 are active, while signals MD4–MD7 remain tri-stated. While tri-stated, MD0–MD7 are disconnected from the pins and do not require external pull-ups. |

Table 2-6 EMI Operating States

| Signal | Function | Operating Mode | | | |
|--|--------------------------------------|----------------|----------------|------------------|----------------|
| | | Hardware Reset | Software Reset | Individual Reset | Stop Mode |
| MA0–MA14 | — | Driven High | Previous State | Previous State | Previous State |
| MA15/ $\overline{\text{MCS3}}$ | MA15 | Driven High | Driven High | Previous State | Previous State |
| | MCS3 | Driven High | Driven High | Driven High | Driven High |
| MA16/ $\overline{\text{MCS2}}$ / $\overline{\text{MCAS}}$ | MA16 | Driven High | Driven High | Previous State | Previous State |
| | MCS2 | Driven High | Driven High | Driven High | Driven High |
| | MCAS: DRAM refresh disabled | Driven High | Driven High | Driven High | Driven High |
| | DRAM refresh enabled | Driven High | Driven High | Driven Low | Driven High |
| MA17/ $\overline{\text{MCS1}}$ / $\overline{\text{MRAS}}$ | MA17 | Driven High | Driven High | Previous State | Previous State |
| | MCS1 | Driven High | Driven High | Driven High | Driven High |
| | MRAS: DRAM refresh disabled | Driven High | Driven High | Driven High | Driven High |
| | DRAM refresh enabled | Driven High | Driven High | Driven Low | Driven High |
| $\overline{\text{MCS0}}$ | — | Driven High | Driven High | Driven High | Driven High |
| $\overline{\text{MWR}}$ | — | Driven High | Driven High | Driven High | Driven High |
| $\overline{\text{MRD}}$ | — | Driven High | Driven High | Driven High | Driven High |

2.6 INTERRUPT AND MODE CONTROL

The interrupt and mode control signals select the DSP's operating mode as it comes out of hardware reset and receives interrupt requests from external sources after reset.

Table 2-7 Interrupt and Mode Control Signals

| Signal Name | Signal Type | State during Reset | Signal Description |
|-------------------|-------------|--------------------|--|
| MODA | Input | Input (MODA) | <p>Mode Select A—This input signal has three functions:</p> <ul style="list-style-type: none"> to work with the MODB and MODC signals to select the DSP's initial operating mode, to allow an external device to request a DSP interrupt after internal synchronization, and to turn on the internal clock generator when the DSP is in the Stop processing state, causing the DSP to resume processing. <p>MODA is read and internally latched in the DSP when the processor exits the Reset state. The logic state present on the MODA, MODB, and MODC pins selects the initial DSP operating mode. Several clock cycles after leaving the Reset state, the MODA signal changes to the external interrupt request \overline{IRQA}. The DSP operating mode can be changed by software after reset.</p> |
| \overline{IRQA} | | | <p>External Interrupt Request A (\overline{IRQA})—The \overline{IRQA} input is a synchronized external interrupt request. It may be programmed to be level-sensitive or negative-edge-triggered. When the signal is edge triggered, triggering occurs at a voltage level and is not directly related to the fall time of the interrupt signal. However, as the fall time of the interrupt signal increases, the probability that noise on \overline{IRQA} will generate multiple interrupts also increases.</p> <p>While the DSP is in the Stop mode, asserting \overline{IRQA} gates on the oscillator and, after a clock stabilization delay, enables clocks to the processor and peripherals. Hardware reset causes this input to function as MODA.</p> |

Table 2-7 Interrupt and Mode Control Signals (Continued)

| Signal Name | Signal Type | State during Reset | Signal Description |
|--------------------------|-------------|--------------------|--|
| MODB | Input | Input (MODB) | <p>Mode Select B— This input signal has two functions:</p> <ul style="list-style-type: none"> to work with the MODA and MODC signals to select the DSP's initial operating mode, and to allow an external device to request a DSP interrupt after internal synchronization. <p>MODB is read and internally latched in the DSP when the processor exits the Reset state. The logic state present on the MODA, MODB, and MODC pins selects the initial DSP operating mode. Several clock cycles after leaving the Reset state, the MODB signal changes to the external interrupt request $\overline{\text{IRQB}}$. The DSP operating mode can be changed by software after reset.</p> <p>External Interrupt Request B ($\overline{\text{IRQB}}$)—The $\overline{\text{IRQB}}$ input is a synchronized external interrupt request. It may be programmed to be level-sensitive or negative-edge-triggered. When the signal is edge-triggered, triggering occurs at a voltage level and is not directly related to the fall time of the interrupt signal. However, as the fall time of the interrupt signal increases, the probability that noise on $\overline{\text{IRQB}}$ will generate multiple interrupts also increases. Hardware reset causes this input to function as MODB.</p> |
| $\overline{\text{IRQB}}$ | | | |

Table 2-7 Interrupt and Mode Control Signals (Continued)

| Signal Name | Signal Type | State during Reset | Signal Description |
|----------------------------------|------------------------------|--------------------|--|
| MODC/ $\overline{\text{NMI}}$ | Input, edge- triggered | Input (MODC) | <p>Mode Select C—This input signal has two functions:</p> <ul style="list-style-type: none"> to work with the MODA and MODB signals to select the DSP's initial operating mode, and to allow an external device to request a DSP interrupt after internal synchronization. <p>MODC is read and internally latched in the DSP when the processor exits the Reset state. The logic state present on the MODA, MODB, and MODC pins selects the initial DSP operating mode. Several clock cycles after leaving the Reset state, the MODC signal changes to the Non-Maskable Interrupt request, $\overline{\text{NMI}}$. The DSP operating mode can be changed by software after reset.</p> <p>Non-Maskable Interrupt Request—The $\overline{\text{NMI}}$ input is a negative-edge-triggered external interrupt request. This is a level 3 interrupt that can not be masked out. Triggering occurs at a voltage level and is not directly related to the fall time of the interrupt signal. However, as the fall time of the interrupt signal increases, the probability that noise on $\overline{\text{NMI}}$ will generate multiple interrupts also increases. Hardware reset causes this input to function as MODC.</p> |

Table 2-7 Interrupt and Mode Control Signals (Continued)

| Signal Name | Signal Type | State during Reset | Signal Description |
|---------------------------|-------------|--------------------|--|
| $\overline{\text{RESET}}$ | input | active | <p>$\overline{\text{RESET}}$—This input causes a direct hardware reset of the processor. When $\overline{\text{RESET}}$ is asserted, the DSP is initialized and placed in the Reset state. A Schmitt-trigger input is used for noise immunity. When the reset signal is deasserted, the initial DSP operating mode is latched from the MODA, MODB, and MODC signals. The DSP also samples the PINIT signal and writes its status into the PEN bit of the PLL Control Register. When the DSP comes out of the Reset state, deassertion occurs at a voltage level and is not directly related to the rise time of the $\overline{\text{RESET}}$ signal. However, the probability that noise on $\overline{\text{RESET}}$ will generate multiple resets increases with increasing rise time of the $\overline{\text{RESET}}$ signal.</p> <p>For proper hardware reset to occur, the clock must be active, since a number of clock ticks are required for proper propagation of the hardware reset state.</p> |

2.7 SERIAL HOST INTERFACE (SHI)

The Serial Host Interface (SHI) has five I/O signals, which may be configured to operate in either SPI or I²C mode. **Table 2-8** lists the SHI signals.

Table 2-8 Serial Host Interface (SHI) signals

| Signal Name | Signal Type | State during Reset | Signal Description |
|-------------|-----------------|--------------------|---|
| SCK | Input or Output | Tri-stated | <p>SPI Serial Clock (SCK)—The SCK signal is an output when the SPI is configured as a master, and a Schmitt-trigger input when the SPI is configured as a slave. When the SPI is configured as a master, the SCK signal is derived from the internal SHI clock generator. When the SPI is configured as a slave, the SCK signal is an input, and the clock signal from the external master synchronizes the data transfer. The SCK signal is ignored by the SPI if it is defined as a slave and the Slave Select (\overline{SS}) signal is not asserted. In both the master and slave SPI devices, data is shifted on one edge of the SCK signal and is sampled on the opposite edge where data is stable. Edge polarity is determined by the SPI transfer protocol.</p> |
| SCL | Input or Output | | <p>I²C Serial Clock (SCL)—SCL carries the clock for bus transactions in the I²C mode. SCL is a Schmitt-trigger input when configured as a slave, and an open-drain output when configured as a master. SCL should be connected to V_{CC} through a pull-up resistor. The maximum allowed internally generated bit clock frequency is $F_{osc}/4$ for the SPI mode and $F_{osc}/6$ for the I²C mode where F_{osc} is the clock on EXTAL. The maximum allowed externally generated bit clock frequency is $F_{osc}/3$ for the SPI mode and $F_{osc}/5$ for the I²C mode. This signal is tri-stated during hardware reset, software reset, or individual reset (no need for external pull-up in this state).</p> |

Table 2-8 Serial Host Interface (SHI) signals (Continued)

| Signal Name | Signal Type | State during Reset | Signal Description |
|-------------|-----------------|--------------------|--|
| MISO | Input or Output | Tri-stated | <p>SPI Master-In-Slave-Out (MISO)— When the SPI is configured as a master, MISO is the master data input line. The MISO signal is used in conjunction with the MOSI signal for transmitting and receiving serial data. This signal is a Schmitt-trigger input when configured for the SPI Master mode, an output when configured for the SPI Slave mode, and tri-stated if configured for the SPI Slave mode when \overline{SS} is deasserted.</p> |
| SDA | Input or Output | Tri-stated | <p>I²C Serial Data and Acknowledge (SDA)—In I²C mode, SDA is a Schmitt-trigger input when receiving and an open-drain output when transmitting. SDA should be connected to V_{CC} through a pull-up resistor. SDA carries the data for I²C transactions. The data in SDA must be stable during the high period of SCL. The data in SDA is only allowed to change when SCL is low. When the bus is free, SDA is high. The SDA line is only allowed to change during the time SCL is high in the case of Start and Stop events. A high-to-low transition of the SDA line while SCL is high is a unique situation, and is defined as the Start event. A low-to-high transition of SDA while SCL is high is a unique situation, and is defined as the Stop event.</p> <p>Note: This line is tri-stated during hardware reset, software reset, or individual reset (no need for external pull-up in this state).</p> |

Table 2-8 Serial Host Interface (SHI) signals (Continued)

| Signal Name | Signal Type | State during Reset | Signal Description |
|-----------------|-----------------|--------------------|---|
| MOSI | Input or Output | Tri-stated | <p>SPI Master-Out-Slave-In (MISO)—When the SPI is configured as a master, MOSI is the master data output line. The MOSI signal is used in conjunction with the MISO signal for transmitting and receiving serial data. MOSI is the slave data input line when the SPI is configured as a slave. This signal is a Schmitt-trigger input when configured for the SPI Slave mode.</p> <p>I²C Slave Address 0 (HA0)—This signal uses a Schmitt-trigger input when configured for the I²C mode. When configured for I²C Slave mode, the HA0 signal is used to form the slave device address. HA0 is ignored when the SHI is configured for the I²C Master mode.</p> <p>Note: This signal is tri-stated during hardware reset, software reset, or individual reset (no need for external pull-up in this state).</p> |
| HA0 | Input | | |
| \overline{SS} | Input | Tri-stated | <p>SPI Slave Select (\overline{SS})—This signal is an active low Schmitt-trigger input when configured for the SPI mode. When configured for the SPI Slave mode, this signal is used to enable the SPI slave for transfer. When configured for the SPI Master mode, this signal should be kept deasserted. If it is asserted while configured as SPI master, a bus error condition will be flagged.</p> <p>I²C Slave Address 2 (HA2)—This signal uses a Schmitt-trigger input when configured for the I²C mode. When configured for the I²C Slave mode, the HA2 signal is used to form the slave device address. HA2 is ignored in the I²C Master mode. If \overline{SS} is deasserted, the SHI ignores SCK clocks and keeps the MISO output signal in the high-impedance state.</p> <p>Note: This signal is tri-stated during hardware reset, software reset, or individual reset (no need for external pull-up in this state).</p> |
| HA2 | Input | | |

Table 2-8 Serial Host Interface (SHI) signals (Continued)

| Signal Name | Signal Type | State during Reset | Signal Description |
|--------------------------|-----------------|--------------------|---|
| $\overline{\text{HREQ}}$ | Input or Output | Tri-stated | <p>Host Request—This signal is an active low Schmitt-trigger input when configured for the Master mode, but an active low output when configured for the Slave mode. When configured for the Slave mode, $\overline{\text{HREQ}}$ is asserted to indicate that the SHI is ready for the next data word transfer and deasserted at the first clock pulse of the new data word transfer. When configured for the Master mode, $\overline{\text{HREQ}}$ is an input and when asserted by the external slave device, it will trigger the start of the data word transfer by the master. After finishing the data word transfer, the master will await the next assertion of $\overline{\text{HREQ}}$ to proceed to the next transfer.</p> <p>Note: This signal is tri-stated during hardware, software, individual reset, or when the HREQ[1:0] bits (in the HCSR) are cleared (no need for external pull-up in this state).</p> |

2.8 SERIAL AUDIO INTERFACE (SAI)

The SAI is composed of separate receiver and transmitter sections.

2.8.1 SAI Receiver Section

Table 2-9 Serial Audio Interface (SAI) Receiver signals

| Signal Name | Signal Type | State during Reset | Signal Description |
|-------------|-----------------|--------------------|---|
| SDI0 | Input | Tri-stated | <p>Serial Data Input 0—While in the high impedance state, the internal input buffer is disconnected from the pin and no external pull-up is necessary. SDI0 is the serial data input for receiver 0.</p> <p>Note: This signal is high impedance during hardware or software reset, while receiver 0 is disabled (R0EN = 0), or while the DSP is in the Stop state.</p> |
| SDI1 | Input | Tri-stated | <p>Serial Data Input 1—While in the high impedance state, the internal input buffer is disconnected from the pin and no external pull-up is necessary. SDI1 is the serial data input for receiver 1.</p> <p>Note: This signal is high impedance during hardware or software reset, while receiver 1 is disabled (R1EN = 0), or while the DSP is in the Stop state.</p> |
| SCKR | Input or Output | Tri-stated | <p>Receive Serial Clock—SCKR is an output if the receiver section is programmed as a master, and a Schmitt-trigger input if programmed as a slave. While in the high impedance state, the internal input buffer is disconnected from the pin and no external pull-up is necessary.</p> <p>Note: SCKR is high impedance if all receivers are disabled (individual reset) and during hardware or software reset, or while the DSP is in the Stop state.</p> |

Table 2-9 Serial Audio Interface (SAI) Receiver signals (Continued)

| Signal Name | Signal Type | State during Reset | Signal Description |
|-------------|-----------------|--------------------|---|
| WSR | Input or Output | Tri-stated | <p>Word Select Receive (WSR)—WSR is an output if the receiver section is configured as a master, and a Schmitt-trigger input if configured as a slave. WSR is used to synchronize the data word and to select the left/right portion of the data sample.</p> <p>Note: WSR is high impedance if all receivers are disabled (individual reset), during hardware reset, during software reset, or while the DSP is in the Stop state. While in the high impedance state, the internal input buffer is disconnected from the signal and no external pull-up is necessary.</p> |

2.8.2 SAI Transmitter Section

Table 2-10 Serial Audio Interface (SAI) Transmitter signals

| Signal Name | Signal Type | State during Reset | Signal Description |
|-------------|-----------------|--------------------|--|
| SDO0 | Output | Driven High | Serial Data Output 0 (SDO0) —SDO0 is the serial output for transmitter 0. SDO0 is driven high if transmitter 0 is disabled, during individual reset, hardware reset, and software reset, or when the DSP is in the Stop state. |
| SDO1 | Output | Driven High | Serial Data Output 1 (SDO1) —SDO1 is the serial output for transmitter 1. SDO1 is driven high if transmitter 1 is disabled, during individual reset, hardware reset and software reset, or when the DSP is in the Stop state. |
| SDO2 | Output | Driven High | Serial Data Output 2 (SDO2) —SDO2 is the serial output for transmitter 2. SDO2 is driven high if transmitter 2 is disabled, during individual reset, hardware reset and software reset, or when the DSP is in the Stop state. |
| SCKT | Input or Output | Tri-stated | <p>Serial Clock Transmit (SCKT)—This signal provides the clock for the SAI. SCKT can be an output if the transmit section is configured as a master, or a Schmitt-trigger input if the transmit section is configured as a slave. When the SCKT is an output, it provides an internally generated SAI transmit clock to external circuitry. When the SCKT is an input, it allows external circuitry to clock data out of the SAI.</p> <p>Note: SCKT is high impedance if all transmitters are disabled (individual reset), during hardware reset, software reset, or while the DSP is in the Stop state. While in the high impedance state, the internal input buffer is disconnected from the pin and no external pull-up is necessary.</p> |

Table 2-10 Serial Audio Interface (SAI) Transmitter signals (Continued)

| Signal Name | Signal Type | State during Reset | Signal Description |
|-------------|-----------------|--------------------|--|
| WST | Input or Output | Tri-stated | <p>Word Select Transmit (WST)—WST is an output if the transmit section is programmed as a master, and a Schmitt-trigger input if it is programmed as a slave. WST is used to synchronize the data word and select the left/right portion of the data sample.</p> <p>Note: WST is high impedance if all transmitters are disabled (individual reset), during hardware or software reset, or while the DSP is in the Stop state. While in the high impedance state, the internal input buffer is disconnected from the pin and no external pull-up is necessary.</p> |

2.9 GENERAL PURPOSE I/O

Table 2-11 General Purpose I/O (GPIO) Signals

| Signal Name | Signal Type | State during Reset | Signal Description |
|-------------|--|--------------------|--|
| GPIO0–GPIO3 | Standard Output, Open-drain Output, or Input | Disconnected | <p>GPIO lines can be used for control and handshake functions between the DSP and external circuitry. Each GPIO line can be configured individually as disconnected, open-drain output, standard output, or an input.</p> <p>Note: Hardware reset or software reset configures all the GPIO lines as disconnected (external circuitry connected to these pins may need pull-ups until the pins are configured for operation).</p> |

2.10 ON-CHIP EMULATION (OnCE™) PORT

There are four signals associated with the OnCE port controller and its serial interface.

Table 2-12 On-Chip Emulation Port Signals

| Signal Name | Signal Type | State during Reset | Signal Description |
|-------------|-------------|--------------------|--|
| DSI | Input | Output, Driven Low | Debug Serial Input (DSI) —The DSI signal is the signal through which serial data or commands are provided to the OnCE port controller. The data received on the DSI signal will be recognized only when the DSP has entered the Debug mode of operation. Data must have valid TTL logic levels before the serial clock falling edge. Data is always shifted into the OnCE port Most Significant Bit (MSB) first. |
| OS0 | Output | | <p>Operating Status 0 (OS0)—When the DSP is not in the Debug mode, the OS0 signal provides information about the DSP status if it is an output and used in conjunction with the OS1 signal. When switching from output to input, the signal is tri-stated.</p> <p>Note: If the OnCE port is in use, an external pull-down resistor should be attached to the DSI/OS0 signal. If the OnCE port is not in use, the resistor is not required.</p> |

Table 2-12 On-Chip Emulation Port Signals (Continued)

| Signal Name | Signal Type | State during Reset | Signal Description |
|-------------|-------------|--------------------|---|
| DSCK | Input | Output, Driven Low | Debug Serial Clock (DSCK) —The DSCK/OS1 signal, when an input, is the signal through which the serial clock is supplied to the OnCE port. The serial clock provides pulses required to shift data into and out of the OnCE port. Data is clocked into the OnCE port on the falling edge and is clocked out of the OnCE port on the rising edge. |
| OS1 | Output | | <p>Operating Status 1 (OS1)—If the OS1 signal is an output and used in conjunction with the OS0 signal, it provides information about the DSP status when the DSP is not in the Debug mode. The debug serial clock frequency must be no greater than 1/8 of the processor clock frequency. The signal is tri-stated when it is changing from input to output.</p> <p>Note: If the OnCE port is in use, an external pull-down resistor should be attached to the DSCK/OS1 pin. If the OnCE port is not in use, the resistor is not required.</p> |

Table 2-12 On-Chip Emulation Port Signals (Continued)

| Signal Name | Signal Type | State during Reset | Signal Description |
|-------------|-------------|--------------------|---|
| DSO | Output | Driven High | <p>Debug Serial Output (DSO)—The DSO line provides the data contained in one of the OnCE port controller registers as specified by the last command received from the command controller. The Most Significant Bit (MSB) of the data word is always shifted out of the OnCE port first. Data is clocked out of the OnCE port on the rising edge of DCLK.</p> <p>The DSO line also provides acknowledge pulses to the external command controller. When the DSP enters the Debug mode, the DSO line will be pulsed low to indicate that the OnCE port is waiting for commands. After receiving a read command, the DSO line will be pulsed low to indicate that the requested data is available and the OnCE port is ready to receive clock pulses in order to deliver the data. After receiving a write command, the DSO line will be pulsed low to indicate that the OnCE port is ready to receive the data to be written; after the data is written, another acknowledge pulse will be provided.</p> <p>Note: During hardware reset and when idle, the DSO line is held high.</p> |

Table 2-12 On-Chip Emulation Port Signals (Continued)

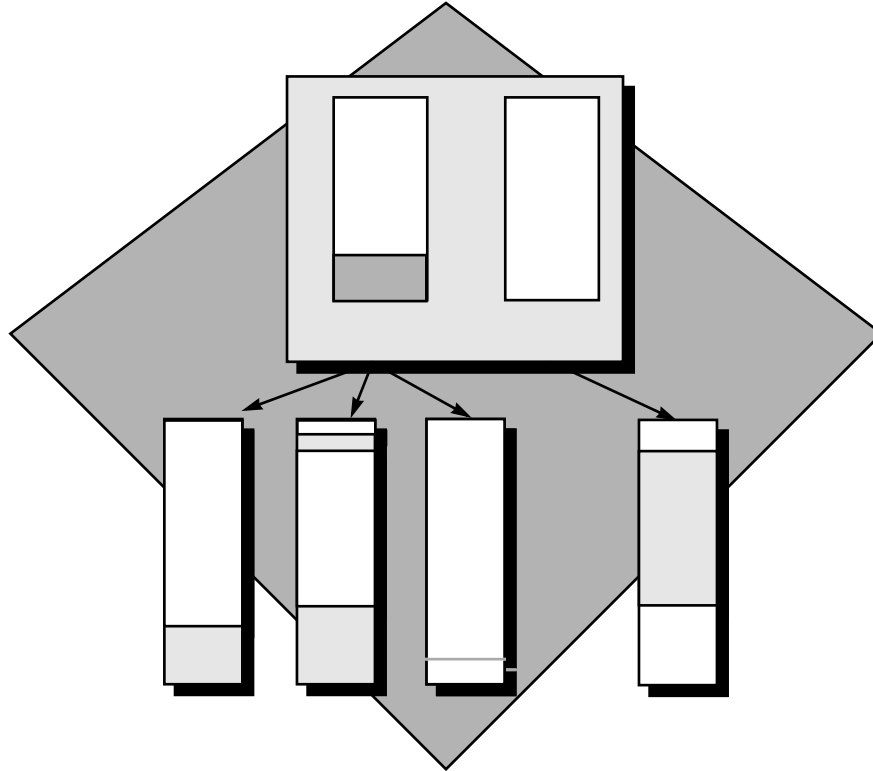
| Signal Name | Signal Type | State during Reset | Signal Description |
|-----------------|-------------|--------------------|---|
| \overline{DR} | Input | Input | <p>Debug Request (\overline{DR})—The debug request input provides a means of entering the Debug mode of operation. This signal, when asserted (pulled low), will cause the DSP to finish the current instruction being executed, to save the instruction pipeline information, to enter the Debug mode, and to wait for commands to be entered from the debug serial input line. While the DSP is in the Debug mode, the user can reset the OnCE port controller by asserting \overline{DR}, waiting for an acknowledge pulse on DSO, and then deasserting \overline{DR}. It may be necessary to reset the OnCE port controller in cases where synchronization between the OnCE port controller and external circuitry is lost. Asserting \overline{DR} when the DSP is in the Wait or the Stop mode, and keeping it asserted until an acknowledge pulse in the DSP is produced, puts the DSP into the Debug mode. After receiving the acknowledge pulse, \overline{DR} must be deasserted before sending the first OnCE port command. For more information, see Methods Of Entering The Debug Mode in the <i>DSP56000 Family Manual</i>.</p> <p>Note: If the OnCE port is not in use, an external pull-up resistor should be attached to the \overline{DR} line.</p> |





SECTION 3

MEMORY, OPERATING MODES, AND INTERRUPTS



| | | |
|-----|---|------|
| 3.1 | INTRODUCTION | 3-3 |
| 3.2 | DSP56004 PROGRAM AND DATA MEMORY | 3-3 |
| 3.3 | OPERATING MODE REGISTER (OMR). | 3-9 |
| 3.4 | OPERATING MODES | 3-10 |
| 3.5 | INTERRUPT PRIORITY REGISTER. | 3-11 |
| 3.6 | PHASE LOCK LOOP (PLL) CONFIGURATION | 3-15 |
| 3.7 | HARDWARE RESET OPERATION. | 3-16 |

3.1 INTRODUCTION

The DSP56004 program and data memories are independent, and the on-chip data memory is divided into two separate memory spaces, X and Y. There are also two on-chip data ROMs in the X and Y data memory spaces, and a bootstrap ROM. The data memories are divided into two independent spaces to work with the two address ALUs to feed two operands simultaneously to the Data ALU. This section also includes details of the interrupt vectors and priorities and describes the effect of a hardware reset on the PLL Multiplication Factor (MF).

3.2 DSP56004 PROGRAM AND DATA MEMORY

External memory cannot be accessed as a direct extension of the internal memory. The standard DSP56004 contains no on-chip Program ROM. The DSP56004ROM can have a generic ROM code (listed in **Appendix A**), or other programming supplied by the application developer. **Table 3-1** shows the available internal memory, depending on the specific DSP56004 configuration.

Table 3-1 Memory Configurations (Word width is 24 bits)

| Part Type | Mode | Program | | X Data | | Y Data | | Boot-strap ROM |
|-------------|------|---------|-----|----------------------------|-----|-------------|-----|----------------|
| | | ROM | RAM | ROM | RAM | ROM | RAM | |
| DSP56004 | — | None | 512 | 256 $\log_2 X$ 2^x | 256 | 256 Sine | 256 | 64 |
| DSP56004ROM | — | 2560* | 256 | 256* | 256 | 256* | 256 | 32 |

*These ROMs may be factory-programmed with data/program provided by the application developer.

Note: Location X:\$FFFE is the Bus Control Register (BCR) for the DSP56000 core processor. Although labelled reserved on this DSP, the BCR remains active. The BCR is cleared by reset and should remain cleared (i.e., do not write to this location) even though this DSP does not require the BCR function.

The internal program and data memory maps for the non-ROM DSP56004 are shown in **Figure 3-1** on page 3-4. The internal program and data memory maps for the DSP56004ROM are shown in **Figure 3-2** on page 3-4.

DSP56004 Program and Data Memory

PROGRAM MEMORY
P: RAM = 512 × 24
P: ROM = 0 × 24

X DATA MEMORY
X: RAM = 256 × 24
X: ROM = 256 × 24

Y DATA MEMORY
Y: RAM = 256 × 24
Y: ROM = 256 × 24

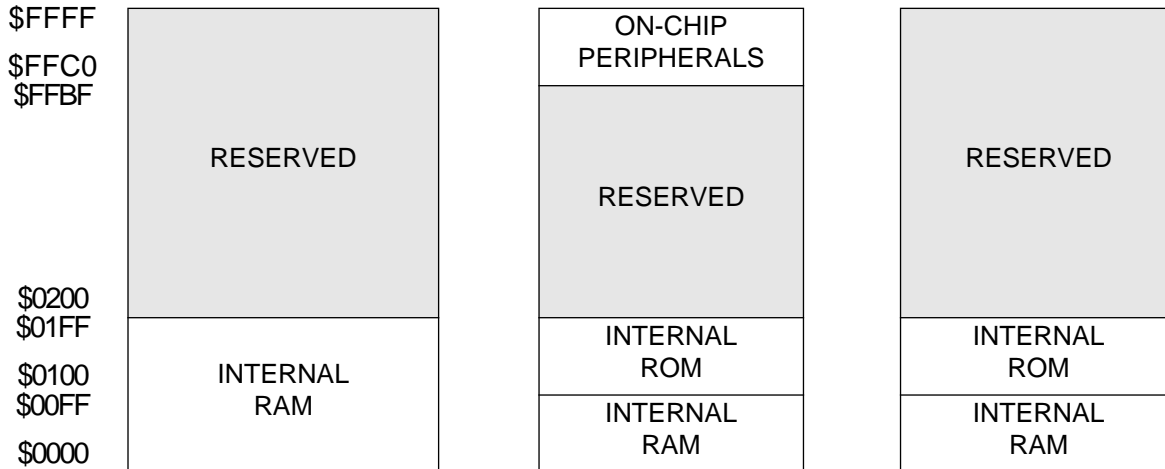


Figure 3-1 DSP56004 Internal Memory Map

PROGRAM MEMORY
P: RAM = 256 × 24
P: ROM = 2560 × 24

X DATA MEMORY
X: RAM = 256 × 24
X: ROM = 256 × 24

Y DATA MEMORY
Y: RAM = 256 × 24
Y: ROM = 256 × 24

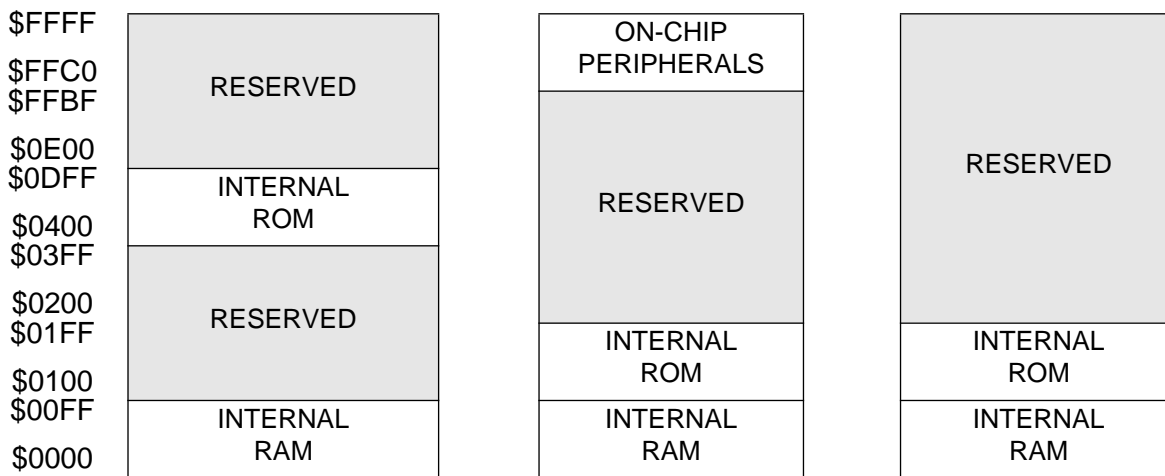


Figure 3-2 DSP56004ROM Internal Memory Map

3.2.1 X Data ROM

The X Data ROM occupies locations 256–511 in the X data memory space. The X data ROM is factory programmed with a $\log_2 x$ table (for $0.5 \leq x < 1$) in locations 256–383 and a 2^x table (for $0.5 \leq 2^x < 1$) in locations 384–511. The contents of the X Data ROM are shown in **Appendix A**. For more detailed information, contact the Motorola DSP technical help line.

3.2.1.1 Assembler Routine To Access The $\log_2(x)$ Table

The routine `log2_addr` receives a normalized value of x in register X0 and returns the address in R0 that points to the $\log_2(x)$ value.

```

; x = 0.5 (1 + (addr - 256/128)) ; where addr ranges from
; 256 to 383 addr = 128 + 256 * x

log2_addr move    #>$80,a
           mac     x0,#15,a
           move   a1,r0
           rts

```

3.2.1.2 Assembler Routine To Access The 2^x Table

The routine `pow2_addr` receives a normalized value of x in Y0 and returns the address in R1 that points to the 2^x value.

```

; x= -1.0 (1 - (addr - 384/128)); where addr ranges from
; 384 to 511 addr = 128 * x + 512

pow2_addr move    #>$200,a
           mac     y0,#16,a
           move   a1,r1
           rts

```

3.2.2 Y Data ROM

The Y data ROM occupies locations 256–511 in the Y data memory space. The Y data ROM is factory programmed with a full, four-quadrant sine wave table. The contents of the Y data ROM are listed in **Appendix A**. For more detailed information, contact the Motorola DSP technical help line.

3.2.3 DSP56004 Bootstrap ROM

The DSP56004 incorporates 64 words of bootstrap ROM. The bootstrap ROM is accessible when MC:MB:MA are not equal to 000. The DSP56004 can bootstrap from external EPROM attached to the EMI, through the Serial Host Interface (SHI) using the SPI protocol, or through the SHI using the I²C protocol, depending on how the three mode pins (MC:MB:MA) are configured.

Programs can be loaded from external EPROM if MC:MB:MA = 001. The internal Program RAM is loaded with 1,536 consecutive bytes from an EPROM connected to the EMI. The EPROM is located at the EMI address \$0, when operating the EMI in the SRAM Absolute Addressing mode (EAM2-EAM0 = 000). It is assumed that the EPROM is selected (enabled) through the GPIO3 pin, which is driven low in this Bootstrap mode. The GPIO3 output is programmed to be of the active high/active low type. The bytes will be packed into 512 24-bit words and stored in contiguous Program RAM memory locations starting at P:\$0000.

Note: The routine loads data starting with the least significant byte of P:\$0000. The OnCE port is enabled by the EMI bootstrap.

Programs can be loaded from the Serial Host Interface (SHI) in the SPI mode if MC:MB:MA = 101, or in the I²C mode if MC:MB:MA = 111. The internal Program RAM is loaded with up to 512 words that are 24-bits long and are received through the SHI. The SHI operates in the Slave mode, with the 10-word FIFO enabled, and with the HREQ pin enabled for receive operation. The OnCE port is enabled by the bootstrap code.

The contents of the bootstrap ROM are listed **Appendix A**.

3.2.4 DSP56004ROM Bootstrap ROM

The DSP56004ROM incorporates 32 words of bootstrap ROM. The bootstrap ROM is accessible when MC:MB:MA are not equal to 000. The bootstrap code is used to implement the operating modes upon hardware reset. The PROM module is always enabled and is accessible via the OnCE port whenever Debug mode is used.

Note: The DSP56004ROM version has 256 words of Program RAM and the bootstrap program in this version has been adapted to this Program RAM size.

3.2.5 DSP56004ROM Program ROM

For the DSP56004ROM only, the Program ROM occupies locations \$2000–\$47FF in the program memory space. The functions contained in the Program ROM are listed in **Appendix A**. For more detailed information, contact the Motorola DSP technical help line.

Note: The standard DSP56004 contains no Program ROM.

3.2.6 Reserved Memory Spaces

The reserved memory spaces should not be accessed by the user. They are reserved for future expansion. Write operations to the reserved range are ignored. Read operations from addresses in the reserved range return the value \$000005. If an instruction fetch is attempted from an address in the reserved area, the value returned is \$000005, which is the opcode for the ILLEGAL instruction.

3.2.7 Internal I/O Memory Map

The DSP56004 on-chip peripheral modules have their register files programmed to the addresses in the internal I/O memory range, as shown in **Table 3-2** on page 3-7.

Note: Location X:\$FFFE is the Bus Control Register (BCR) for the DSP56000 core. Although labelled reserved on the DSP56004, the BCR remains active. The BCR is cleared by reset and should remain cleared (i.e., do not write to this location) since the DSP56004 does not make use of the BCR function.

Table 3-2 Internal I/O Memory Map

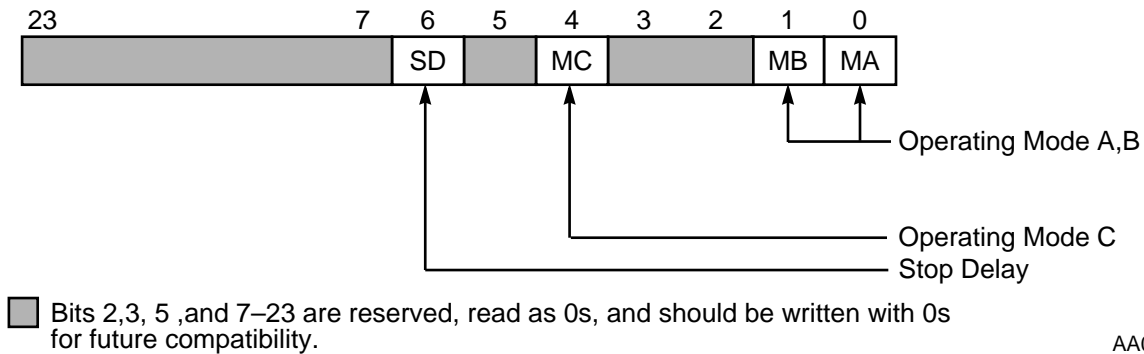
| Location | Register |
|-----------|-----------------------------------|
| X: \$FFFF | Interrupt Priority Register (IPR) |
| X: \$FFFE | Reserved |
| X: \$FFFD | PLL Control Register (PCTL) |
| X: \$FFFC | Reserved |
| X: \$FFFB | Reserved |
| X: \$FFFA | Reserved |
| X: \$FFF9 | Reserved |
| X: \$FFF8 | Reserved |

Table 3-2 Internal I/O Memory Map (Continued)

| Location | Register |
|-----------------|--|
| X: \$FFF7 | GPIO Control/Data Register (GPIOR) |
| X: \$FFF6 | EMI Write Offset Register (EWOR) |
| X: \$FFF5 | Reserved |
| X: \$FFF4 | Reserved |
| X: \$FFF3 | SHI Receive FIFO/Transmit Register (HRX/HTX) |
| X: \$FFF2 | SHI I ² C Slave Address Register (HSAR) |
| X: \$FFF1 | SHI Host Control/Status Register (HCSR) |
| X: \$FFF0 | SHI Host Clock Control Register (HCKR) |
| X: \$FFEF | EMI Refresh Control Register (ERCR) |
| X: \$FFEE | EMI Data Register 1 (EDRR1/EDWR1) |
| X: \$FFED | EMI Offset Register 1 (EOR1) |
| X: \$FFEC | EMI Base Address Register 1 (EBAR1) |
| X: \$FFEB | EMI Control/Status Register (ECSR) |
| X: \$FFEA | EMI Data Register 0 (EDRR0/EDWR0) |
| X: \$FFE9 | EMI Offset Register 0 (EOR0) |
| X: \$FFE8 | EMI Base Address Register 0 (EBAR0) |
| X: \$FFE7 | SAI TX2 Data Register (TX2) |
| X: \$FFE6 | SAI TX1 Data Register (TX1) |
| X: \$FFE5 | SAI TX0 Data Register (TX0) |
| X: \$FFE4 | SAI TX Control/Status Register (TCS) |
| X: \$FFE3 | SAI RX1 Data Register (RX1) |
| X: \$FFE2 | SAI RX0 Data Register (RX0) |
| X: \$FFE1 | SAI RX Control/Status Register (RCS) |
| X: \$FFE0 | SAI Baud Rate Control Register (BRC) |
| X: \$FFDF | Reserved |
| : | : |
| X: \$FFC0 | Reserved |

3.3 OPERATING MODE REGISTER (OMR)

The Operating Mode Register (OMR) is illustrated in **Figure 3-3**.



AA0291k

Figure 3-3 Operating Mode Register (OMR)

3.3.1 DSP Operating Mode (MC, MB, MA)—Bits 4, 1, and 0

The DSP operating mode bits, MC, MB, and MA, select the operating mode of the DSP56004. These operating modes are described in **Section 3.4 Operating Modes** on the following page. On hardware reset, MC, MB, and MA are loaded from the external mode select pins MODC, MODB, and MODA, respectively. After the DSP leaves the reset state, MC, MB, and MA can be changed under software control.

3.3.2 Stop Delay (SD)—Bit 6

When leaving the Stop state, the Stop Delay (SD) bit is interrogated. If cleared (SD = 0), a 65,535 core clock cycle delay (131,072 T states) is implemented before continuation of the STOP instruction cycle. If the SD bit is set (SD = 1), the delay before continuation of the STOP instruction cycle is set as eight clock cycles (16 T states). When the DSP is driven by a stable external clock source, setting the SD bit before executing the STOP instruction will allow a faster start up of the DSP.

3.4 OPERATING MODES

The DSP56004 operating modes are described in detail below and summarized in **Table 3-3** on page 3-11. The operating modes for the DSP56004 are identical to the DSP56004ROM except that there is no Mode 2, and if Mode 0 is selected during hardware reset, the chip will default to Mode 1 instead of Mode 2.

Each operating mode is described below.

- **Mode 0**—In this mode, the internal Program RAM is enabled and the bootstrap ROM is disabled. All bootstrap programs end by selecting this operating mode. This is identical to the DSP56001/DSP56002 Mode 0. It is not possible to reach this operating mode during hardware reset. If an attempt is made, the chip will default to Mode 1. Mode 1 bootstrap terminates by setting the operating mode to 0 and jumping to the reset vector at address \$0000.
- **Mode 1**—In this mode, the bootstrap ROM is enabled and the bootstrap program is executed after hardware reset. The internal Program RAM is loaded with up to 512 words from an external byte-wide static memory connected to the External Memory Interface (EMI). The EMI operates in the SRAM Absolute Addressing mode with the slowest SRAM timing. It is assumed that the chip select control for the external memory is the GPIO3 pin. The on-chip X and Y data memories are cleared. This Bootstrap mode enables operation of the OnCE interface immediately after clearing the internal memories and before starting to load from the external memory; this permits using the OnCE port to stop the bootstrap program and load the internal Program RAM through the OnCE port. Mode 1 bootstrap terminates by setting the operating mode to Mode 0 and jumping to the reset vector at address \$0000.
- **Mode 2**—For the DSP56004ROM, in this mode, the bootstrap ROM is enabled and the bootstrap program is executed after hardware reset. The bootstrap program ends up in the first location of the Program ROM (program address \$2000). For the DSP56004, this mode is reserved.
- **Mode 3**—Reserved
- **Mode 4**—Reserved
- **Mode 5**—In this mode, the bootstrap ROM is enabled and the bootstrap program is executed after hardware reset. The internal Program RAM is loaded with up to 512 words from the Serial Host Interface (SHI). The SHI operates in the SPI Slave mode, with 24-bit word width. The on-chip X and Y data memories are cleared. This bootstrap mode enables operation of the OnCE interface immediately after clearing the internal memories and before

starting to load from the external memory; this permits using the OnCE port to stop the bootstrap program and load the internal Program RAM through the OnCE port. Mode 5 bootstrap terminates by setting the operating mode to Mode 0 and jumping to the reset vector at address \$0000.

- **Mode 6**—Reserved
- **Mode 7**—In this mode, the bootstrap ROM is enabled and the bootstrap program is executed after hardware reset. The internal Program RAM is loaded with up to 512 words from the Serial Host Interface (SHI). The SHI operates in the I²C Slave mode, with 24-bit word width. The on-chip X and Y data memories are cleared. This bootstrap mode enables operation of the OnCE interface immediately after clearing the internal memories and before starting to load from the external memory; this permits using the OnCE port to stop the bootstrap program and load the internal Program RAM through the OnCE port. Mode 7 bootstrap terminates by setting the operating mode to Mode 0 and jumping to the reset vector at address \$0000.

Table 3-3 Operating Modes

| Mode | MMM C B A | Operating Mode |
|------|--------------|--|
| 0 | 000 | Normal operation, bootstrap disabled |
| 1 | 001 | Bootstrap from EMI, OnCE port enabled |
| 2 | 010 | Wake up in Program ROM address \$2000 (DSP56004ROM) |
| 3 | 011 | Reserved |
| 4 | 100 | Reserved |
| 5 | 101 | Bootstrap from SHI (SPI mode)I, OnCE port enabled |
| 6 | 110 | Reserved |
| 7 | 111 | Bootstrap from SHI (I ² C mode)I, OnCE port enabled |

Note: The OnCE port operation is enabled at hardware reset. This means the device can enter the Debug mode at any time after hardware reset.

3.5 INTERRUPT PRIORITY REGISTER

Interrupt priorities are determined in the 24-bit Interrupt Priority Register (IPR). The Interrupt Priority Level (IPL) for each on-chip peripheral device and for two of the external interrupt sources, can be programmed, under software control, to one of three maskable priority levels (IPL 0,1, or 2). IPLs are set by writing to the IPR. The IPR configuration is shown in **Figure 3-4**.

Interrupt Priority Register

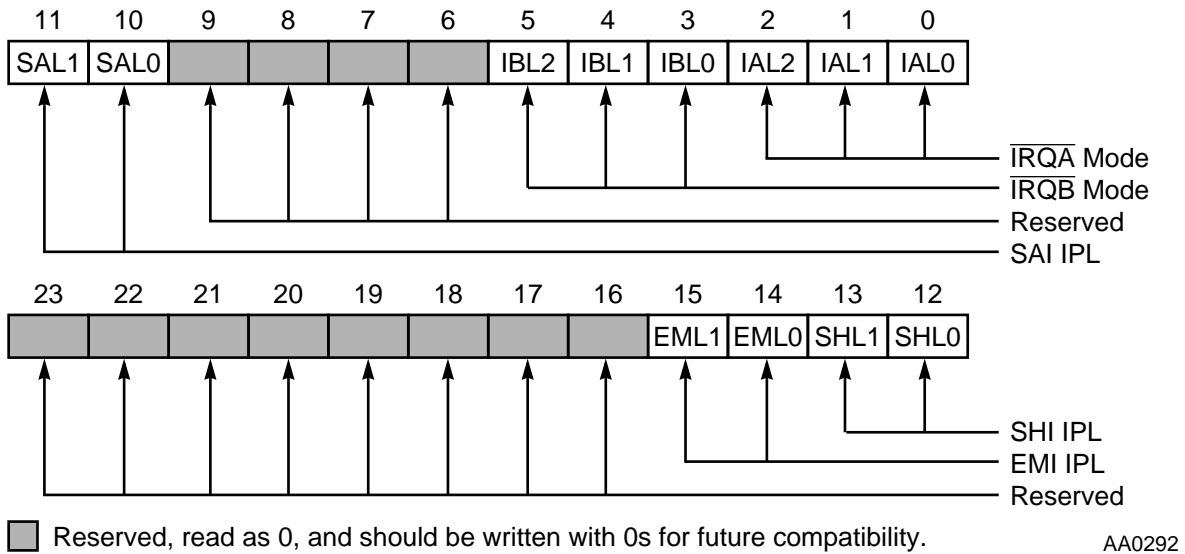


Figure 3-4 Interrupt Priority Register (Address X:\$FFFF)

- Bits 0–5 of the IPR are used by the DSP56000 core for two of the external interrupt request inputs, $\overline{\text{IRQA}}$ (IAL[2:0]) and $\overline{\text{IRQB}}$ (IBL[2:0]). Assuming the same IPL, $\overline{\text{IRQA}}$ has higher priority than $\overline{\text{IRQB}}$.
- Bits 6–9 and 16–23 are reserved for future use.
- Bits 10–15 are available for determining IPLs for each peripheral (EMI, SHI, SAI). Two IPL bits are required for each peripheral interrupt group.

The interrupt priorities are shown in **Table 3-4** and the interrupt vectors are shown in **Table 3-5**.

Table 3-4 Interrupt Priorities

| Priority | Interrupt |
|-----------------------|------------------------------------|
| Level 3 (Nonmaskable) | |
| Highest | Hardware $\overline{\text{RESET}}$ |
| | Illegal Instruction |
| | $\overline{\text{NMI}}$ |
| | Stack Error |
| | Trace |
| Lowest | SWI |

Table 3-4 Interrupt Priorities (Continued)

| Priority | Interrupt |
|---------------------------|-------------------------------|
| Levels 0, 1, 2 (Maskable) | |
| Highest | $\overline{\text{IRQA}}$ |
| | $\overline{\text{IRQB}}$ |
| | SAI Receiver Exception |
| | SAI Transmitter Exception |
| | SAI Left Channel Receiver |
| | SAI Left Channel Transmitter |
| | SAI Right Channel Receiver |
| | SAI Right Channel Transmitter |
| | SHI Bus Error |
| | SHI Receive Overrun Error |
| | SHI Transmit Underrun Error |
| | SHI Receive FIFO Full |
| | SHI Transmit Data |
| | SHI Receive FIFO Not Empty |
| | EMI EBAR0 Memory Wrap |
| | EMI EBAR1 Memory Wrap |
| | Lowest |
| EMI Write Data | |

Table 3-5 Interrupt Vectors

| Address | Interrupt Source |
|-----------|------------------------------------|
| P: \$0000 | Hardware $\overline{\text{RESET}}$ |
| P: \$0002 | Stack Error |
| P: \$0004 | Trace |
| P: \$0006 | SWI |
| P: \$0008 | $\overline{\text{IRQA}}$ |
| P: \$000A | $\overline{\text{IRQB}}$ |

Table 3-5 Interrupt Vectors (Continued)

| Address | Interrupt Source |
|-----------|---|
| P: \$000C | Reserved |
| P: \$000E | Reserved |
| P: \$0010 | SAI Left Channel Transmitter if TXIL = 0 |
| P: \$0012 | SAI Right Channel Transmitter if TXIL = 0 |
| P: \$0014 | SAI Transmitter Exception if TXIL = 0 |
| P: \$0016 | SAI Left Channel Receiver if RXIL = 0 |
| P: \$0018 | SAI Right Channel Receiver if RXIL = 0 |
| P: \$001A | SAI Receiver Exception if RXIL = 0 |
| P: \$001C | Reserved |
| P: \$001E | $\overline{\text{NMI}}$ |
| P: \$0020 | SHI Transmit Data |
| P: \$0022 | SHI Transmit Underrun Error |
| P: \$0024 | SHI Receive FIFO Not Empty |
| P: \$0026 | Reserved |
| P: \$0028 | SHI Receive FIFO Full |
| P: \$002A | SHI Receive Overrun Error |
| P: \$002C | SHI Bus Error |
| P: \$002E | Reserved |
| P: \$0030 | EMI Write Data |
| P: \$0032 | EMI Read Data |
| P: \$0034 | EMI EBAR0 Memory Wrap |
| P: \$0036 | EMI EBAR1 Memory Wrap |
| P: \$0038 | Reserved |
| : | : |
| P: \$003C | Reserved |
| P: \$003E | Illegal Instruction |
| P: \$0040 | SAI Left Channel Transmitter if TXIL = 1 |
| P: \$0042 | SAI Right Channel Transmitter if TXIL = 1 |
| P: \$0044 | SAI Transmitter Exception if TXIL = 1 |
| P: \$0046 | SAI Left Channel Receiver if RXIL = 1 |

Table 3-5 Interrupt Vectors (Continued)

| Address | Interrupt Source |
|-----------|--|
| P: \$0048 | SAI Right Channel Receiver if RXIL = 1 |
| P: \$004A | SAI Receiver Exception if RXIL = 1 |
| P: \$004C | Reserved |
| : | : |
| P: \$007E | Reserved |

3.6 PHASE LOCK LOOP (PLL) CONFIGURATION

Section 9 of the *DSP56000 Family Manual* provides detailed information about the Phase Lock Loop (PLL). The PLL Multiplication Factor (MF) and the clock applied to EXTAL determine the frequency at which the Voltage Controlled Oscillator (VCO) will oscillate, that is, the output frequency of the PLL.

If the PLL is used as the DSP internal clock:

- the PLL VCO output is used directly as the internal DSP clock if the PLL Control Register (PCTL) Chip Clock Source Bit (CSRC) is set, and
- the PLL VCO frequency is divided by the Low Power Divider (LPD) and then used as the internal DSP clock if CSRC is cleared.

The DSP56004 PLL Multiplication Factor is set to \$500 during hardware reset, which means that the Multiplication Factor bits (MF[11:0]) in the PCTL are set to \$1F3. The PLL may be disabled (PEN = 0) upon reset by pulling the PINIT pin low. The DSP will subsequently operate at the frequency of the clock applied to the EXTAL pin until the PEN bit is set. This reset value cannot be modified by the user until the DSP comes out of reset. The Low Power Divider (LPD) Division Factor bits (DF[3:0] in the PCTL) are cleared during hardware reset. Once the PEN bit is set, it cannot be cleared by software.

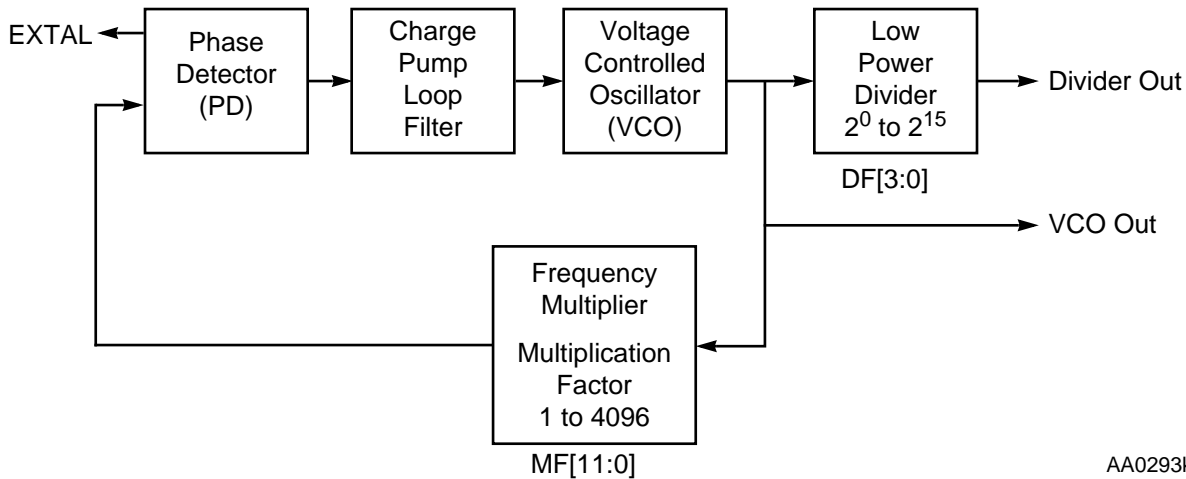


Figure 3-5 PLL Configuration

AA0293k

3.7 HARDWARE RESET OPERATION

The processor enters the Reset processing state after the external $\overline{\text{RESET}}$ pin is asserted (hardware reset occurs) for the specified minimum time (See *DSP56004 Technical Data sheet*). The Reset state:

- resets internal peripheral devices by initializing their control registers as described in the individual peripheral sections,
- sets the modifier registers to \$FFFF,
- clears the Interrupt Priority Register (IPR),
- clears the Stack Pointer (SP),
- clears the Scaling mode (S[1:0]), Trace mode (T), Loop Flag (LF), Double precision Multiply mode (DM), and Condition Code Register (CCR) bits in the Status Register (SR) and sets the Interrupt mask (I[1:0]) bits, and
- clears the Stop Delay (SD) bit and the Program RAM Enable (PEA and PEB) bits in the OMR.

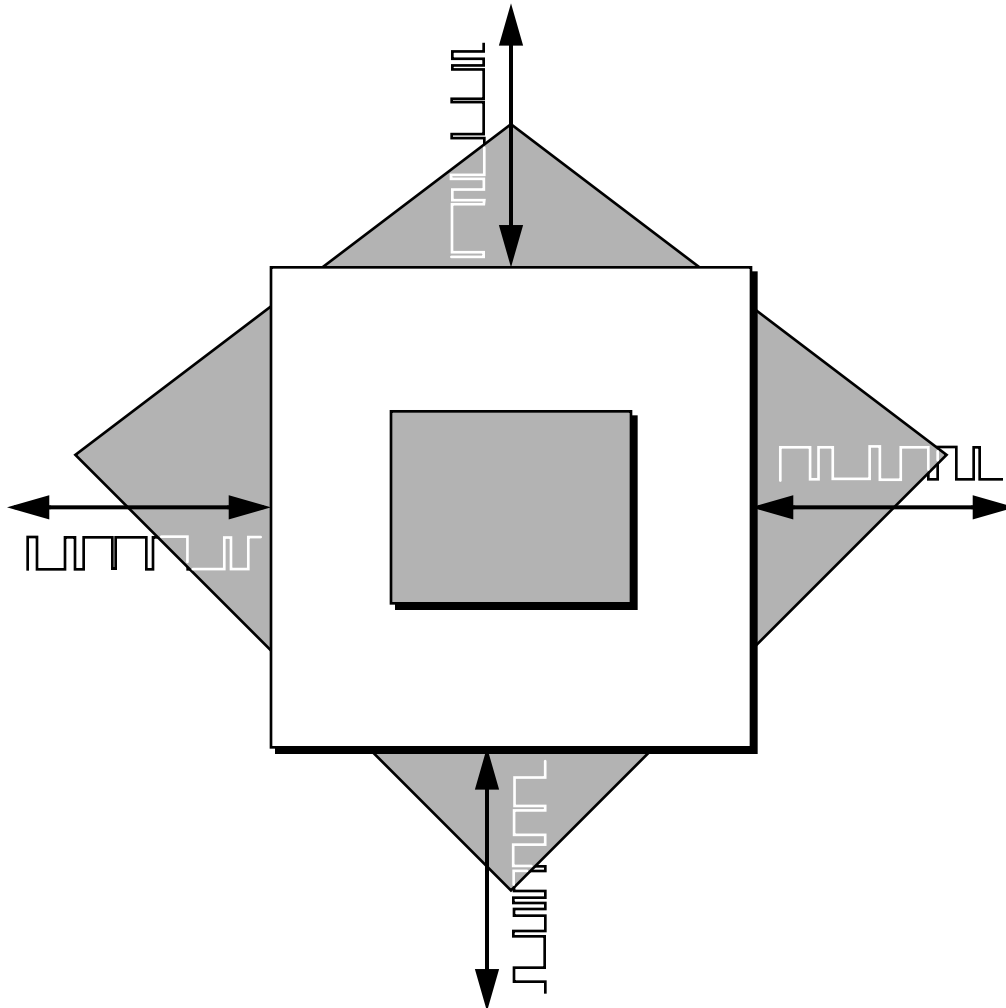
The DSP remains in the Reset state until the $\overline{\text{RESET}}$ pin is deasserted. When the processor leaves the Reset state it:

- loads the chip operating mode (MC, MB, and MA) bits of the OMR from the external mode select pins (MODC, MODB, MODA), and
- begins program execution of the bootstrap ROM starting at address \$0000.



SECTION 4

EXTERNAL MEMORY INTERFACE



| | | |
|-----|--|------|
| 4.1 | INTRODUCTION | 4-3 |
| 4.2 | EMI PROGRAMMING MODEL | 4-5 |
| 4.3 | EMI ADDRESS GENERATION | 4-23 |
| 4.4 | DRAM REFRESH | 4-31 |
| 4.5 | EMI OPERATING CONSIDERATIONS | 4-38 |
| 4.6 | DATA-DELAY STRUCTURE | 4-46 |
| 4.7 | EMI-TO-MEMORY CONNECTION | 4-48 |
| 4.8 | EMI TIMING | 4-50 |

4.1 INTRODUCTION

The External Memory Interface (EMI) enables the DSP to access external dynamic and/or static memory with no (or minimal) additional logic. The EMI permits simple implementation of data-delay buffers in external memory and is often used for audio sample storage, as required by digital reverberation algorithms. The EMI is designed to connect directly to one or two page-mode DRAM devices of the following sizes: 64 K × 4, 256 K × 4, 1 M × 4, and 4 M × 4 bits. When using SRAMs, the EMI can directly access up to 256 K × 8 bits. The data bus width can be 4- or 8-bits wide. Data words of 8-, 12-, 16-, 20- or 24-bits can be stored and retrieved via the EMI with automatic packing and unpacking. In addition, the EMI can be configured to operate in the Absolute Addressing mode. This allows connection to external memory devices for program bootstrap and data storage, as well as general parallel access to external memory-mapped peripheral devices.

4.1.1 Theory of Operation

The DSP views the EMI as a memory-mapped peripheral. The EMI functions as a memory-mapped peripheral in which data transfers are performed by moving data to/from data registers, and control is exercised by polling status flags in the control/status register or by servicing interrupts. An external memory write is executed by writing the data into the EMI Data Write Register (EDWR). This will trigger the EMI operation in which the EDWR contents are transferred to the external memory device. The EDWR is free for the next write operation when signalled by a status bit or by an interrupt request. An external memory read is triggered by either writing to the EMI Offset Register (EOR) or reading the EMI Data Read Register (EDRR). This will trigger an EMI read operation in which the data is read from the external memory device and is stored in the EDRR. The end of operation is signalled by a status bit or by an interrupt request.

4.1.2 EMI Features

The main features of the EMI are:

- Direct connection to several possible memory device configurations:
 - One or two DRAM devices of 64 K × 4, 256 K × 4, 1 M × 4 or 4 M × 4 bits
 - SRAM addressing with one device select and 256 K address range
 - SRAM addressing with two device selects and 128 K address range
 - SRAM addressing with four device selects and 32 K address range
 - Additional SRAM or peripheral addressing with address range of 32 K
 - Data bus can be 4 or 8 bits wide
 - Data words can be 8, 12, 16, 20 or 24 bits long
 - Automatic data pack/unpack to fit and orient external bus width and external word length to internal 24-bit word format
- Programmable timing features:
 - Independently selectable timing for SRAM or DRAM
 - Automatic DRAM refresh by internal refresh timer
 - Two timing modes for DRAM, sixteen timing modes for SRAM
- Address Features:
 - Relative Addressing for data-delay buffers
 - DRAM Absolute Addressing for efficient data storage
 - Absolute Addressing for program bootstrap and overlays (SRAM or EPROM), and to access external peripherals
 - Two base registers to handle two delay buffers in parallel
 - Base-offset address calculation for data-delay buffers
 - Optional base address post update (increment)

4.2 EMI PROGRAMMING MODEL

The EMI registers available to the programmer are shown in **Figure 4-1** on page 4-6. All accessible registers are mapped into the internal I/O memory space. These registers can be accessed through regular MOVE instructions or by peripheral move (MOVEP) instructions. The registers are described in the following sections. The interrupt vector table for the EMI is shown in **Table 4-1**. The interrupts generated by the EMI are prioritized, as shown in **Table 4-2**. Since either a read condition or a write condition (but not both) can trigger an interrupt, the read data and write data interrupts share the same level of priority.

Table 4-1 EMI Interrupt Vector

| Address | Interrupt Source |
|-----------|-----------------------|
| P: \$0030 | EMI Write Data |
| P: \$0032 | EMI Read Data |
| P: \$0034 | EMI EBAR0 Memory Wrap |
| P: \$0036 | EMI EBAR1 Memory Wrap |

Table 4-2 EMI Internal Interrupt Priorities

| Priority | Interrupt Source |
|----------|------------------------|
| highest | EMI EBAR0 Memory Wrap |
| | EMI EBAR1 Memory Wrap |
| lowest | EMI Read or Write Data |

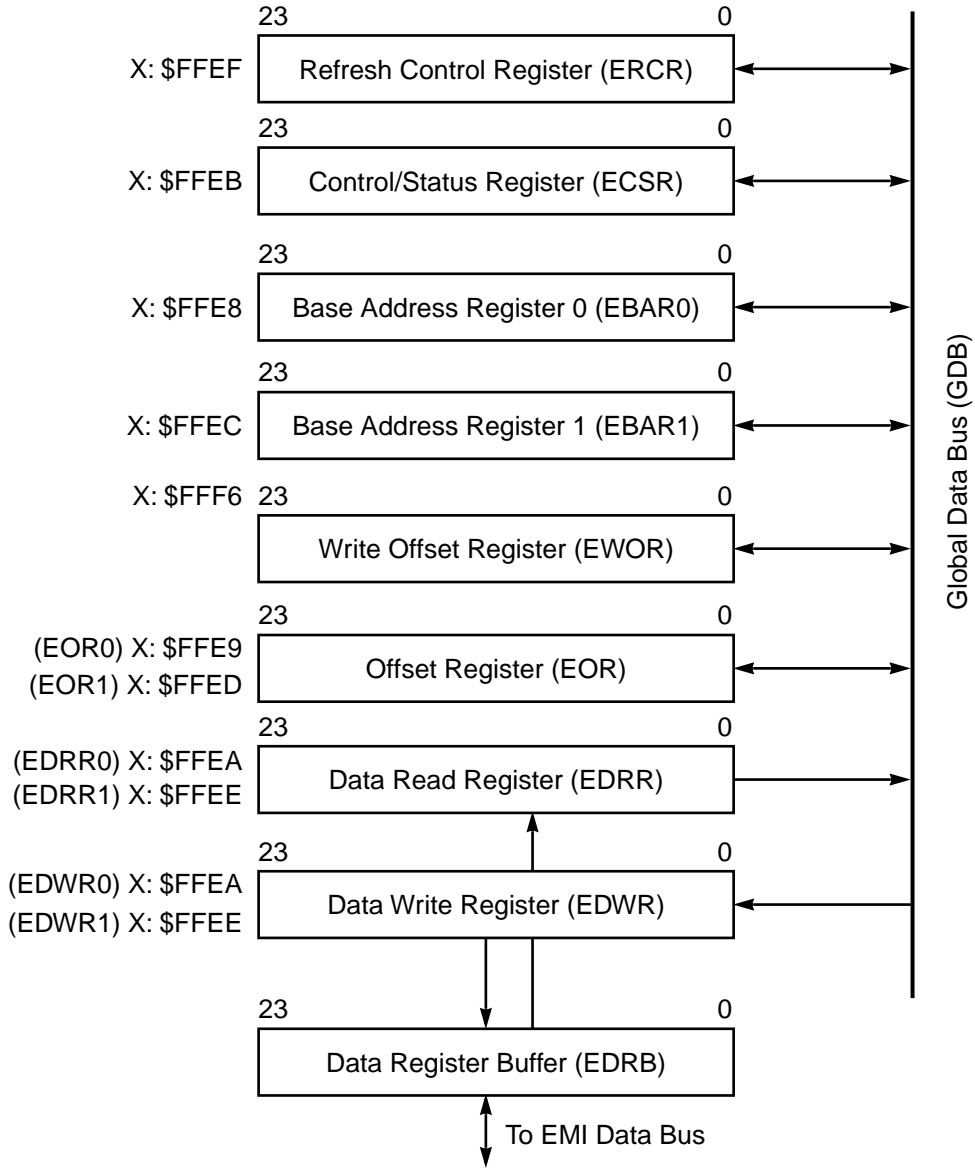


Figure 4-1 EMI Registers

4.2.1 EMI Base Address Registers (EBAR0 and EBAR1)

The read/write 24-bit EMI Base Address Registers (EBAR0 and EBAR1) contain the base address used by the EMI to calculate the address (in external memory) of the word to be accessed. During a read access, the word address is formed by subtracting the value in the EOR from the value in either EBAR0 or EBAR1 (EBAR_x). During a write access, the word address is formed by subtracting the contents of the Write Offset Register (EWOR) from the contents of EBAR_x. The EBAR_x contents can be incremented after the memory access. The increment operates on all 24 bits of EBAR_x. The base address is stored in 24-bit unsigned integer format.

4.2.2 EMI Write Offset Register (EWOR)

The read/write 24-bit EMI Write Offset Register (EWOR) is used by the EMI to calculate the address (in external memory) of the word to be accessed during write operations. The address is formed by subtracting the contents of the EWOR from the contents of EBAR_x. The offset is stored in 24-bit unsigned integer format. The EWOR contains a displacement value (from the start of the data-delay buffer) and is used to access a delayed data sample location. For example, assuming that EBAR_x points to the sample at time 0, then in order to write the data sample delayed by N, the value of N should be written into the EWOR.

Note: The EWOR is cleared by hardware reset and software reset.

4.2.3 EMI Offset Register (EOR)

The EMI uses the read/write 24-bit EMI Offset Register (EOR) to calculate the address (in external memory) of the word to be accessed during read operations. The EOR is a single 24-bit register that is mapped to two different memory locations (EOR0 and EOR1). The address is formed by subtracting the contents of the EOR from the contents of EBARx. The offset is stored in 24-bit unsigned integer format. The EOR contains a displacement value (from the start of the data-delay buffer) and is used to access delayed data samples. For example, assuming that EBARx points to the sample at time 0, then to read the data sample delayed by N, the value of N is written into the EOR. The EOR has two addresses: \$XFFE9 (EOR0) and \$XFFED (EOR1). When the ECSR EMI Read Trigger Select (ERTS) bit (see Figure 4-2) is cleared, writing to EOR0 triggers an EMI memory read operation that will use the value in the EOR and the value in the EBAR0 for address calculation. Writing to EOR1 when the ERTS bit is cleared triggers an EMI memory read operation that will use the values in the EOR and the EBAR1 for address calculation. The EOR is cleared by hardware reset and software reset. See Section 4.2.5 EMI Data Read Register (EDRR) on page 4-9 for a description of operation when the ERTS bit is set.

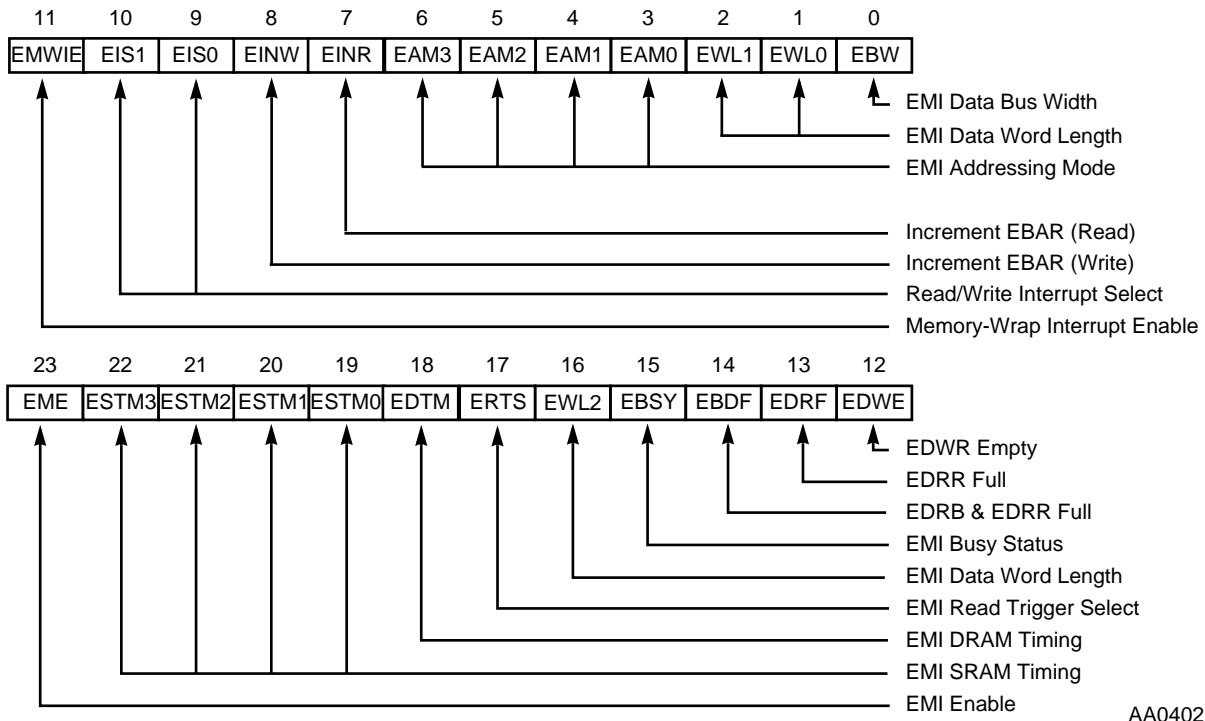


Figure 4-2 EMI Control/Status Register (ECSR)

AA0402

4.2.4 EMI Data Write Registers (EDWR)

The EMI Data Write Register (EDWR) is a single 24-bit write-only register that is mapped to two memory addresses and is used when writing data to memory. Data to be transferred to external memory is written into either EDWR0 or EDWR1. The contents of the written register are transferred to the Data Register Buffer for memory writes. All transfers to/from EDWR0 or EDWR1 are 24-bit transfers. Writing to EDWR0 (\$FFE0) triggers an EMI memory write operation that will use EBAR0 and EWOR to generate the word address. Writing to EDWR1 (\$FFE4) triggers an EMI memory write operation that will use EBAR1 and EWOR to generate the word address.

4.2.5 EMI Data Read Register (EDRR)

The EMI Data Read Register (EDRR) is a single 24-bit read-only register that is mapped to two memory addresses and is used when reading data from memory. Data to be received from external memory arrives in the EDRR, and can be read from either the \$FFE0 (EDRR0) or the \$FFE4 (EDRR1) memory location. The contents of the Data Register Buffer are transferred to the EDRR at the end of a memory read if the EDRR is empty. All transfers to/from the EDRR are 24-bit transfers. Reading EDRR0 (\$FFE0) when the ERTS bit (in the ECSR) is set triggers an EMI memory read operation that will use EBAR0 and EOR to generate the word address. Reading EDRR1 when the ERTS bit (in the ECSR) is set triggers an EMI memory read operation that will use EBAR1 and EOR to generate the word address. See **Section 4.2.3 EMI Offset Register (EOR)** on page 4-8 for a description of the operation when ERTS is cleared.

4.2.6 EMI Data Register Buffer (EDRB)

Data pack and unpack procedures during memory accesses are performed in the 24-bit EMI Data Register Buffer (EDRB). Since the EMI data bus is either 4- or 8-bits wide and the words for transfer are 8-, 12-, 16-, 20-, or 24-bits wide, the data word must be sliced (unpacked) into data-bus-width segments for storage in memory, or must be packed when reading memory. When writing 8-bit or 16-bit words to external memory, only the most significant 8 or 16 bits of the EDRB contents are transferred. When reading 8-bit or 16-bit words from external memory, the words are left-aligned and zero-extended (to the right) before being transferred to the EDRR. When writing 12-bit or 20-bit words to external memory via a 4-bit data bus, only the most significant 12 or 20 bits of the EDRB contents are transferred. Similarly, when

EMI Programming Model

reading 12-bit or 20-bit words from external memory via a 4-bit data bus, the words are left-aligned and zero-extended to the right before being transferred to the EDRR. When 12-bit or 20-bit words are transferred via 8-bit data bus, 16 or 24 bits, are transferred in both read and write directions. While packing or unpacking, the data word is held in the EDRB. During memory writes, the data to be written is transferred from the EDWR to the EDRB for unpacking. The EDRB cannot be accessed by the DSP directly.

4.2.7 EMI Control/Status Register (ECSR)

The EMI Control/Status Register (ECSR) is a 24-bit read/write register used by the DSP to control and interrogate the EMI operation. The ECSR bits are shown in **Figure 4-2** and described in the following paragraphs.

Note: If ECSR control bits are changed while the EMI is busy (with the exception of the ECSR interrupt controls EMWIE, EIS[1:0], and the read trigger select ERTS), improper operation can result.

4.2.7.1 EMI Data Bus Width (EBW)—Bit 0

The read/write control bit EMI Data Bus Width (EBW) defines the width of the EMI data bus. When EBW is cleared (EBW = 0), the data bus is 4 bits wide. When EBW is set (EBW = 1), the data bus is 8 bits wide. The bus width affects the number of memory accesses and address generation required for a data word transfer. The number of memory accesses performed by the EMI during a word transfer and the number of memory locations required for a word storage (for words of different lengths), in both Relative and Absolute Addressing modes, is shown in **Table 4-3**.

Note: EBW is cleared by hardware reset and software reset.

Table 4-3 EMI Memory Accesses and Locations Per Word

| Addressing | Bus Width | Word Length | Memory locations/word | Memory accesses/word |
|------------|-----------|--------------------|-----------------------|----------------------|
| Relative | 4 | 8 | 2 | 2 |
| Relative | 4 | 12 | 4 | 3 |
| Relative | 4 | 16 | 4 | 4 |
| Relative | 4 | 20 | 8 | 5 |
| Relative | 4 | 24 | 8 | 6 |
| Relative | 4 | 16 Data/24 Address | 8 | 4 |

Table 4-3 EMI Memory Accesses and Locations Per Word (Continued)

| Addressing | Bus Width | Word Length | Memory locations/ word | Memory accesses/ word |
|------------|-----------|--------------------|---------------------------|--------------------------|
| Relative | 8 | 8 | 1 | 1 |
| Relative | 8 | 12 | 2 | 2 |
| Relative | 8 | 16 | 2 | 2 |
| Relative | 8 | 20 | 4 | 3 |
| Relative | 8 | 24 | 4 | 3 |
| Relative | 8 | 16 Data/24 Address | 4 | 2 |
| Absolute | 4 | 8 | 2 | 2 |
| Absolute | 4 | 12 | 3 | 3 |
| Absolute | 4 | 16 | 4 | 4 |
| Absolute | 4 | 20 | 5 | 5 |
| Absolute | 4 | 24 | 6 | 6 |
| Absolute | 4 | 16 Data/24 Address | 4 | 4 |
| Absolute | 8 | 8 | 1 | 1 |
| Absolute | 8 | 12 | 2 | 2 |
| Absolute | 8 | 16 | 2 | 2 |
| Absolute | 8 | 20 | 3 | 3 |
| Absolute | 8 | 24 | 3 | 3 |
| Absolute | 8 | 16 Data/24 Address | 2 | 2 |

4.2.7.2 EMI Word Length (EWL[2:0])—Bits 16,2, and 1

The read/write control bits EMI Word Length (EWL[2:0]) select the length of the data word to be transferred. The encoding of EWL[2:0] is shown in **Table 4-4**.

Note: EWL[2:0] are cleared by hardware reset and software reset.

Table 4-4 EMI Word Length

| EWL2 | EWL1 | EWL0 | Word Length |
|------|------|------|------------------|
| 0 | 0 | 0 | 8-bit data word |
| 0 | 0 | 1 | 16-bit data word |

Table 4-4 EMI Word Length (Continued)

| EWL2 | EWL1 | EWL0 | Word Length |
|------|------|------|---|
| 0 | 1 | 0 | 24-bit data word |
| 0 | 1 | 1 | 16-bit data word/24-bit data addressing |
| 1 | 0 | 0 | Reserved |
| 1 | 0 | 1 | 12-bit data word |
| 1 | 1 | 0 | 20-bit data word |
| 1 | 1 | 1 | Reserved |

4.2.7.3 EMI Addressing Mode (EAM[3:0])—Bits 6–3

The read/write EMI Addressing Mode (EAM[3:0]) control bits select the addressing mode of the EMI. The addressing modes are shown in **Table 4-5**. The values in EAM[3:0] select which functions will be performed by the EMI pins and if the device being accessed is an SRAM or DRAM.

Note: EAM[3:0] are cleared by hardware reset and software reset.

Table 4-5 EMI Addressing Modes

| EAM [3:0] | Type | Addressing | Address Lines | Chip Select | RAS/ CAS | Address Range |
|---------------------|----------|------------|---------------|------------------------------|--------------|---------------|
| 0000 ^{1,2} | SRAM | Absolute | MA[14:0] | None | Refresh only | 32 K |
| 0001 | SRAM | Relative | MA[17:0] | MCS0 | n.a. | 256 K |
| 0010 | SRAM | Relative | MA[16:0] | $\overline{\text{MCS}}[1:0]$ | n.a. | 256 K |
| 0011 | SRAM | Relative | MA[14:0] | $\overline{\text{MCS}}[3:0]$ | n.a. | 128 K |
| 0100 | DRAM | Relative | MA[7:0] | na | yes | 64 K |
| 0101 | DRAM | Relative | MA[8:0] | na | yes | 256 K |
| 0110 | DRAM | Relative | MA[9:0] | na | yes | 1 M |
| 0111 | DRAM | Relative | MA[10:0] | na | yes | 4 M |
| 10xx | Reserved | | | | | |
| 1100 ² | DRAM | Absolute | MA[7:0] | na | yes | 64 K |

Table 4-5 EMI Addressing Modes (Continued)

| EAM [3:0] | Type | Addressing | Address Lines | Chip Select | RAS/ CAS | Address Range |
|---|------|------------|---------------|-------------|----------|---------------|
| 1101 ² | DRAM | Absolute | MA[8:0] | na | yes | 256 K |
| 1110 ² | DRAM | Absolute | MA[9:0] | na | yes | 1 M |
| 1111 ² | DRAM | Absolute | MA[10:0] | na | yes | 4 M |
| Note: 1. In this mode, $\overline{MCS0}$ and MA15 are held high. \overline{MRAS} and \overline{MCAS} , if enabled, are active only during DRAM refresh cycles. Devices to be addressed using this mode should be enabled with some hardware external to the EMI, such as a GPIO pin. 2. In the Absolute Addressing modes, if post-increment of EBAR is enabled and multiple memory accesses are required for a word transfer, EBAR will be incremented after each memory access. | | | | | | |

The maximum number of word locations that can be stored in the external memory when using the SRAM addressing modes is shown in **Table 4-6**. The maximum number of word locations that can be stored in the external memory when using the DRAM, in both Relative and Absolute Addressing modes, is shown in **Table 4-7** on page 4-14 and **Table 4-8** on page 4-15. When using the 16-bit word length with 24-bit addressing ($EWL[2:0] = 011$), the number of available word locations is the same as those for 16-bit word length in the Absolute Addressing modes and the same as those for 24-bit length in the Relative Addressing modes.

Table 4-6 EMI Maximum SRAM Size

| EAM[3:0] | Bus Width | Word Length | Number of Words |
|---------------|-----------|-------------|-----------------|
| 0000 | 4 | 8 | 16 K |
| 0000 | 4 | 12 | 10,922 |
| 0000 | 4 | 16 | 8 K |
| 0000 | 4 | 20 | 6,553 |
| 0000 | 4 | 24 | 5,461 |
| 0000 | 8 | 8 | 32 K |
| 0000 | 8 | 12 or 16 | 16 K |
| 0000 | 8 | 20 or 24 | 10,922 |
| 0001 and 0010 | 4 | 8 | 128 K |

Table 4-6 EMI Maximum SRAM Size (Continued)

| EAM[3:0] | Bus Width | Word Length | Number of Words |
|---------------|-----------|-------------|-----------------|
| 0001 and 0010 | 4 | 12 or 16 | 64 K |
| 0001 and 0010 | 4 | 20 or 24 | 32 K |
| 0001 and 0010 | 8 | 8 | 256 K |
| 0001 and 0010 | 8 | 12 or 16 | 128 K |
| 0001 and 0010 | 8 | 20 or 24 | 64 K |
| 0011 | 4 | 8 | 64 K |
| 0011 | 4 | 12 or 16 | 32 K |
| 0011 | 4 | 20 or 24 | 16 K |
| 0011 | 8 | 8 | 128 K |
| 0011 | 8 | 12 or 16 | 64 K |
| 0011 | 8 | 20 or 24 | 32 K |

Table 4-7 EMI Maximum DRAM Size (Relative Addressing)

| EAM[3:0] | Bus Width | Word Length | DRAM devices | Number of Words |
|----------|-----------|-------------|---------------|-----------------|
| 0100 | 4 | 8 | 64 K × 4 | 32 K |
| 0100 | 4 | 12 or 16 | 64 K × 4 | 16 K |
| 0100 | 4 | 20 or 24 | 64 K × 4 | 8 K |
| 0100 | 8 | 8 | 2 × 64 K × 4 | 64 K |
| 0100 | 8 | 12 or 16 | 2 × 64 K × 4 | 32 K |
| 0100 | 8 | 20 or 24 | 2 × 64 K × 4 | 16 K |
| 0101 | 4 | 8 | 256 K × 4 | 128 K |
| 0101 | 4 | 12 or 16 | 256 K × 4 | 64 K |
| 0101 | 4 | 20 or 24 | 256 K × 4 | 32 K |
| 0101 | 8 | 8 | 2 × 256 K × 4 | 256 K |
| 0101 | 8 | 12 or 16 | 2 × 256 K × 4 | 128 K |

Table 4-7 EMI Maximum DRAM Size (Relative Addressing) (Continued)

| EAM[3:0] | Bus Width | Word Length | DRAM devices | Number of Words |
|----------|-----------|-------------|---------------|-----------------|
| 0101 | 8 | 20 or 24 | 2 × 256 K × 4 | 64 K |
| 0110 | 4 | 8 | 1 M × 4 | 512 K |
| 0110 | 4 | 12 or 16 | 1 M × 4 | 256 K |
| 0110 | 4 | 20 or 24 | 1 M × 4 | 128 K |
| 0110 | 8 | 8 | 2 × 1 M × 4 | 1 M |
| 0110 | 8 | 12 or 16 | 2 × 1 M × 4 | 512 K |
| 0110 | 8 | 20 or 24 | 2 × 1 M × 4 | 256 K |
| 0111 | 4 | 8 | 4 M × 4 | 2 M |
| 0111 | 4 | 12 or 16 | 4 M × 4 | 1 M |
| 0111 | 4 | 20 or 24 | 4 M × 4 | 512 K |
| 0111 | 8 | 8 | 2 × 4 M × 4 | 4 M |
| 0111 | 8 | 12 or 16 | 2 × 4 M × 4 | 2 M |
| 0111 | 8 | 20 or 24 | 2 × 4 M × 4 | 1 M |

Table 4-8 EMI Maximum DRAM Size (Absolute Addressing)

| EAM[3:0] | Bus Width | Word Length | DRAM devices | Number of Words |
|----------|-----------|-------------|--------------|-----------------|
| 1100 | 4 | 8 | 64 K × 4 | 32 K |
| 1100 | 4 | 12 | 64 K × 4 | 21,845 |
| 1100 | 4 | 16 | 64 K × 4 | 16 K |
| 1100 | 4 | 20 | 64 K × 4 | 13,107 |
| 1100 | 4 | 24 | 64 K × 4 | 10,922 |
| 1100 | 8 | 8 | 2 × 64 K × 4 | 64 K |
| 1100 | 8 | 12 or 16 | 2 × 64 K × 4 | 32 K |
| 1100 | 8 | 20 or 24 | 2 × 64 K × 4 | 21,845 |
| 1101 | 4 | 8 | 256 K × 4 | 128 K |
| 1101 | 4 | 12 | 256 K × 4 | 87,381 |
| 1101 | 4 | 16 | 256 K × 4 | 64 K |
| 1101 | 4 | 20 | 256 K × 4 | 52,428 |

Table 4-8 EMI Maximum DRAM Size (Absolute Addressing) (Continued)

| EAM[3:0] | Bus Width | Word Length | DRAM devices | Number of Words |
|----------|-----------|-------------|---------------|-----------------|
| 1101 | 4 | 24 | 256 K × 4 | 43,690 |
| 1101 | 8 | 8 | 2 × 256 K × 4 | 256 K |
| 1101 | 8 | 12 or 16 | 2 × 256 K × 4 | 128 K |
| 1101 | 8 | 20 or 24 | 2 × 256 K × 4 | 87,381 |
| 1110 | 4 | 8 | 1 M × 4 | 512 K |
| 1110 | 4 | 12 | 1 M × 4 | 349,525 |
| 1110 | 4 | 16 | 1 M × 4 | 256 K |
| 1110 | 4 | 20 | 1 M × 4 | 209,715 |
| 1110 | 4 | 24 | 1 M × 4 | 174,762 |
| 1110 | 8 | 8 | 2 × 1 M × 4 | 1 M |
| 1110 | 8 | 12 or 16 | 2 × 1 M × 4 | 512 K |
| 1110 | 8 | 20 or 24 | 2 × 1 M × 4 | 349,525 |
| 1111 | 4 | 8 | 4 M × 4 | 2 M |
| 1111 | 4 | 12 | 4 M × 4 | 1,398,101 |
| 1111 | 4 | 16 | 4 M × 4 | 1 M |
| 1111 | 4 | 20 | 4 M × 4 | 838,860 |
| 1111 | 4 | 24 | 4 M × 4 | 699,050 |
| 1111 | 8 | 8 | 2 × 4 M × 4 | 4 M |
| 1111 | 8 | 12 or 16 | 2 × 4 M × 4 | 2 M |
| 1111 | 8 | 20 or 24 | 2 × 4 M × 4 | 1,398,101 |

4.2.7.4 EMI Increment EBAR After Read (EINR)—Bit 7

The read/write control bit EMI Increment EBAR after Read (EINR) enables the function of incrementing the contents of the relevant EBARx after a read operation. If EINR is cleared, EBARx will not be modified after read operations. If EINR is set, the contents of EBARx will be incremented by one after generating the address for the read operation. This bit affects all operating modes.

Note: EINR is cleared by hardware reset and software reset.

4.2.7.5 EMI Increment EBAR After Write (EINW)—Bit 8

The read/write control bit EMI Increment EBAR after Write (EINW) enables the function of incrementing the contents of the relevant EBARx after a write operation.

If EINW is cleared, EBARx will not be modified after write operations. If EINW is set, the contents of EBARx will be incremented by one after generating the address for the write operation. This bit affects all operating modes. EINW is cleared by hardware reset and software reset.

4.2.7.6 EMI Interrupt Select (EIS[1:0])—Bits 9–10

The read/write EMI Interrupt Select (EIS[1:0]) control bits are used to select the condition that will trigger an EMI read/write interrupt. When EIS[1:0] = 00, EMI read and write interrupts are disabled. When EIS[1:0] = 01, a write-interrupt vector will be generated when the EDWR becomes empty (EDWE = 1). When EIS[1:0] = 10, a read-interrupt vector will be generated when the EDRR becomes full (EDRF = 1). When EIS[1:0] = 11, a read-interrupt vector will be generated when both the EDRB and the EDRR are full (EBDF = 1). **Table 4-9** summarizes the functionality of the interrupt select bits.

Note: EIS[1:0] are cleared by hardware reset and software reset.

Note: Clearing EIS[1:0] will mask pending EMI interrupts, but after a one-instruction-cycle delay. If EIS[1:0] are cleared in a long interrupt service routine, it is recommended that at least one other instruction should separate the instruction that clears EIS[1:0] and the RTI instruction at the end of the interrupt service routine.

Table 4-9 EMI Read/Write Interrupt Select

| EIS1 | EIS0 | Word Length |
|------|------|------------------------------------|
| 0 | 0 | Read and Write Interrupts Disabled |
| 0 | 1 | Write Interrupt Enabled |
| 1 | 0 | Read Interrupt Enabled if EDRF = 1 |
| 1 | 1 | Read Interrupt Enabled if EBDF = 1 |

4.2.7.7 EMI Memory-Wrap Interrupt Enable (EMWIE)—Bit 11

The read/write control bit EMI Memory-Wrap Interrupt Enable (EMWIE) enables interrupts when the relevant EBAR is incremented by one (controlled by EINR and EINW) and wrapped around from the largest word address in the pre-programmed memory space. When EMWIE is cleared, memory-wrap interrupts are disabled. When EMWIE is set, memory-wrap interrupts are enabled with separate interrupt vectors for each of EBAR0 and EBAR1. The largest word address is reached when the value of the significant bits in EBARx is all 1s. The number of the significant bits in EBARx involved with address generation can be concluded from **Table 4-13**

on page 4-26, **Table 4-15** on page 4-29, and **Table 4-16** on page 4-31, always starting at A0 and ignoring the relative addressing extension bits.

The memory-wrap interrupt is generated when the significant bits in EBARx change from all 1s to all 0s following the EBARx post-increment, for any particular selection of addressing mode, word length, and bus width. For example, it can be seen from **Table 4-16** that for a selection of EAM[3:0] = 1101 there are 18 significant bits in EBARx (A[17:0]) that determine the word address, therefore, in this case an EBARx memory-wrap interrupt is generated when the 18 Least Significant Bits (LSBs) in EBARx change from all 1s to all 0s as a result of the EBARx post-increment operation. Similarly, for a selection of EAM[3:0] = 0101, EWL[2:0] = 001 and EBW = 0 there are 16 significant bits in EBARx (A[15:0]) that determine the word address.

Note: When EINR and EINW bits are cleared, memory-wrap interrupts cannot be generated since no EBARx is post-incremented. EMWIE is cleared by hardware or software reset.

4.2.7.8 EMI Data Write Register Empty (EDWE)—Bit 12

The EMI Data Write Register Empty (EDWE) read-only status bit indicates the state of the EDWR. EDWE is set (EDWR empty) by the EMI controller when transferring a data word from the EDWR to the EDBR during a memory write operation. EDWE is cleared (EDWR full) when data is written into the EDWR when starting a memory write operation.

Note: EDWE is set by hardware reset, software reset, individual reset, and while the device is in the Stop state.

4.2.7.9 EMI Data Read Register Full (EDRF)—Bit 13

The EMI Data Read Register Full (EDRF) read-only status bit indicates the state of the EDRR. EDRF is set (EDRR full) by the EMI controller when transferring a data word from the EDRB to the EDRR at the end of a memory read operation.

Note: EDRF is cleared (EDRR empty) when EDRR is read by the DSP core. EDRF is also cleared by hardware reset, software reset, individual reset, and while the device is in the Stop state.

4.2.7.10 EMI Data Register Buffer and Data Read Register Full (EBDF)—Bit 14

The EMI data register Buffer and Data read register Full (EBDF) read-only status bit indicates the status of the EDRB and EDRR during read operations. EBDF is set when both the EDRB and the EDRR contain data after memory read operations. EBDF is cleared otherwise.

Note: EBDF is cleared by hardware reset, software reset, individual reset, and while the DSP is in the Stop state.

4.2.7.11 EMI Busy (EBSY)—Bit 15

The EMI Busy (EBSY) read-only status bit indicates the EMI state. EBSY is set when the EMI is busy transferring data or when there is a pending transfer request. EBSY is cleared when no transfers currently are being done and no requests are pending.

Note: EBSY is cleared by hardware reset, software reset, individual reset, and while the DSP is in the Stop state.

4.2.7.12 EMI Read Trigger Select (ERTS)—Bit 17

The read/write EMI Read Trigger Select (ERTS) control bit selects the trigger event for read operations. When ERTS is cleared, read operations are triggered by a write to the EOR. When ERTS is set, read operations are triggered by reading the EDRR.

Note: ERTS is cleared by hardware reset and software reset.

4.2.7.13 EMI DRAM Memory Timing (EDTM)—Bit 18

The read/write EMI DRAM Memory Timing (EDTM) control bit selects the EMI DRAM Timing mode of operation. When EDTM is set, EMI DRAM mode accesses and DRAM refresh cycles operate in the Slow Timing mode. When EDTM is cleared, EMI DRAM mode accesses and DRAM refresh cycles operate in the Fast Timing mode. The EDTM bit does not affect the timing of SRAM accesses. See **Section 4.8 EMI Timing** for more detailed information.

Note: EDTM is set by hardware reset and software reset.

Table 4-10 EMI DRAM Timing (clock cycles per word transfer)

| Addressing | Word Length | Bus Width | EDTM = 1 (slow) | EDTM = 0 (fast) |
|------------|-------------|-----------|--------------------|-------------------|
| Relative | 8 | 4 | 16 | 11 |
| Relative | 8 | 8 | 12 | 8 |
| Relative | 12 | 4 | 20 | 14 |
| Relative | 16 | 4 | 24 | 17 |
| Relative | 12 or 16 | 8 | 16 | 11 |
| Relative | 20 | 4 | 28 | 20 |
| Relative | 24 | 4 | 32 | 23 |
| Relative | 20 or 24 | 8 | 20 | 14 |
| Absolute | 8 | 4 | $2 \times 12 = 24$ | $2 \times 8 = 16$ |
| Absolute | 8 | 8 | $1 \times 12 = 12$ | $1 \times 8 = 8$ |

Table 4-10 EMI DRAM Timing (clock cycles per word transfer) (Continued)

| Addressing | Word Length | Bus Width | EDTM = 1 (slow) | EDTM = 0 (fast) |
|---------------|-------------|-----------|--------------------|-------------------|
| Absolute | 12 | 4 | $3 \times 12 = 36$ | $3 \times 8 = 24$ |
| Absolute | 16 | 4 | $4 \times 12 = 48$ | $4 \times 8 = 32$ |
| Absolute | 12 or 16 | 8 | $2 \times 12 = 24$ | $2 \times 8 = 16$ |
| Absolute | 20 | 4 | $5 \times 12 = 60$ | $5 \times 8 = 40$ |
| Absolute | 24 | 4 | $6 \times 12 = 72$ | $6 \times 8 = 48$ |
| Absolute | 20 or 24 | 8 | $3 \times 12 = 36$ | $3 \times 8 = 24$ |
| Refresh Cycle | — | — | 13 | 9 |

4.2.7.14 EMI SRAM Memory Timing (ESTM[3:0])— Bits 19–22

The read/write EMI SRAM Memory Timing (ESTM[3:0]) control bits select the EMI SRAM Timing mode of operation. The ESTM[3:0] bits do not affect the timing of DRAM mode accesses or of DRAM refresh cycles. See **Section 4.8 EMI Timing** for more detailed information.

Note: ESTM[3:0] are set by hardware reset and software reset.

Table 4-11 EMI SRAM Timing (clock cycles per word transfer)

| Word Length | Bus Width | Clock Cycles |
|-------------|-----------|------------------------------|
| 8 | 4 | $2 \times (4 + \text{ESTM})$ |
| 8 | 8 | $1 \times (4 + \text{ESTM})$ |
| 12 | 4 | $3 \times (4 + \text{ESTM})$ |
| 16 | 4 | $4 \times (4 + \text{ESTM})$ |
| 12 or 16 | 8 | $2 \times (4 + \text{ESTM})$ |
| 20 | 4 | $5 \times (4 + \text{ESTM})$ |
| 24 | 4 | $6 \times (4 + \text{ESTM})$ |
| 20 or 24 | 8 | $3 \times (4 + \text{ESTM})$ |

Where ESTM is the value of the ESTM[3:0] bits, ranging from 0 to 15

4.2.7.15 EMI Enable (EME)—Bit 23

The read/write control bit EMI Enable (EME) enables the EMI for data-transfer operations. When EME is set, the EMI accepts data transfer triggers and executes data transfers. When EME is cleared, the EMI enters the individual reset state, that is, the EMI is disabled for data transfers and the status flags in the ECSR are reset to the same states as during hardware reset. When EME is cleared, the EMI pins are reset to the state defined in **Section 2: Pin Descriptions** but the control bits are unaffected. The individual reset state is entered one instruction cycle after clearing EME. DRAM refresh operation, if previously enabled, will continue while the EMI is in the individual reset state.

Note: EME is cleared by hardware reset and software reset.

4.2.8 EMI Refresh Control Register (ERCR)

The EMI Refresh Control Register (ERCR) is a 24-bit read/write register used to control the refresh of DRAM memories. Refresh can only occur while the EMI is set to work with DRAM memories (EAM[3:0] = x1xx) or while in the SRAM Absolute Addressing mode (EAM[3:0] = 0000). The ERCR is cleared by hardware reset and software reset. The ERCR bits are shown in **Figure 4-3** and are described in the following paragraphs.

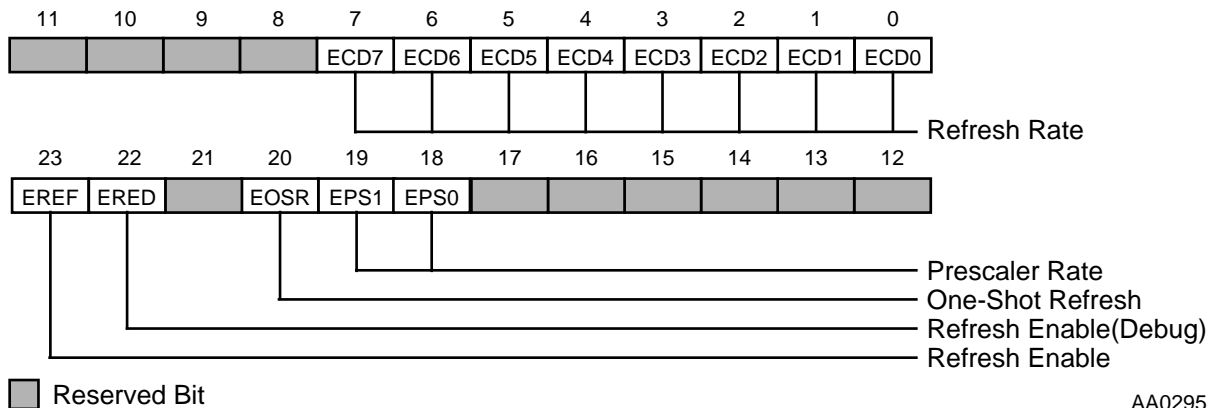


Figure 4-3 EMI Refresh Control Register (ERCR)

4.2.8.1 EMI Refresh Clock Divider (ECD[7:0])—Bits 0–7

The read/write EMI Refresh Clock Divider (ECD[7:0]) bits are used to preset an 8-bit counter that generates the DRAM refresh requests (if DRAM refresh is enabled). The counter itself is not accessible to the user. When the counter reaches zero, it is reloaded from the ECD[7:0] bits. The divide rate range is between 1 (ECD[7:0] = \$00) and 256 (ECD[7:0] = \$FF).

Note: The ECD[7:0] bits are cleared by hardware reset and software reset.

4.2.8.2 ERCR Reserved Bits—Bits 8–17, 21

These bits in the ERCR are reserved and unused. They read as 0s and should be written with 0s for future compatibility.

4.2.8.3 EMI Refresh Clock Prescaler (EPS[1:0])—Bits 18–19

The read/write EMI refresh clock Prescaler (EPS[1:0]) bits control a prescaler that is connected in series with the refresh clock divider. These bits are used to extend the range of the refresh clock divider when a slower refresh clock rate is desired. When EPS[1:0] = 00, a divide-by-64 prescaler is connected in series with the refresh clock divider. When EPS[1:0] = 01, a divide-by-8 prescaler is connected in series with the refresh clock divider. When EPS[1:0] = 10, the prescaler is bypassed. EPS[1:0] = 11 is reserved for future expansion.

Note: The EPS[1:0] bits are cleared by hardware reset and software reset.

4.2.8.4 EMI One-Shot Refresh (EOSR)—Bit 20

The read/write EMI One-Shot Refresh (EOSR) bit is used to trigger one DRAM refresh cycle under software control. When EOSR is set, one Column Address Strobe ($\overline{\text{CAS}}$) before Row Address Strobe ($\overline{\text{RAS}}$) refresh cycle is generated, independent of the state of bits EREF and ERED (see below). The EOSR bit is automatically cleared by the EMI hardware after the refresh cycle has been generated. The refresh cycle will be generated immediately if no word transfer is occurring, or at the end of the current word access if a word transfer is in progress.

Note: The EOSR bit is cleared by hardware reset and software reset.

4.2.8.5 EMI Refresh Enable when Debugging (ERED)—Bit 22

The read/write control bit EMI Refresh Enable when Debugging (ERED) is used to enable DRAM refresh cycles when the DSP enters Debug mode if EREF is cleared. When ERED is set, $\overline{\text{CAS}}$ before $\overline{\text{RAS}}$ refresh cycles are inserted between data word transfers while the DSP is in the Debug mode independent of the state of EREF. Refresh cycle requests are generated according to the output clock rate of the refresh timer. If ERED is cleared, refresh cycle insertion is disabled when the DSP leaves the Debug mode.

Note: The ERED bit is cleared by hardware reset and software reset.

4.2.8.6 ERCR Refresh Enable (EREF)—Bit 23

The read/write control bit EREF is used to enable DRAM refresh cycles. When set, CAS before RAS refresh cycles are inserted between data word transfers for both regular DSP operation and if the DSP is in the Debug mode. Refresh cycle requests are generated according to the output clock rate of the refresh timer. If EREF is cleared, refresh cycle insertion is disabled.

Note: The EREF bit is cleared by hardware reset and software reset.

4.3 EMI ADDRESS GENERATION

Address generation for external memory accesses is done by the EMI in the Address Generation Unit (AGU). A block diagram of the AGU is shown in **Figure 4-4**. The AGU forms a word address for a read operation by subtracting the contents of the EOR from the contents of the appropriate EBAR. For a write operation, the word address is formed by subtracting the contents of the EWOR from the contents of the appropriate EBAR. The word address must then be transformed into one or more physical addresses as required for loading/storing the data word. The mapping from word address to physical addresses is described in the following sections. The Base Address Register in use can be optionally incremented by one after calculating the word address.

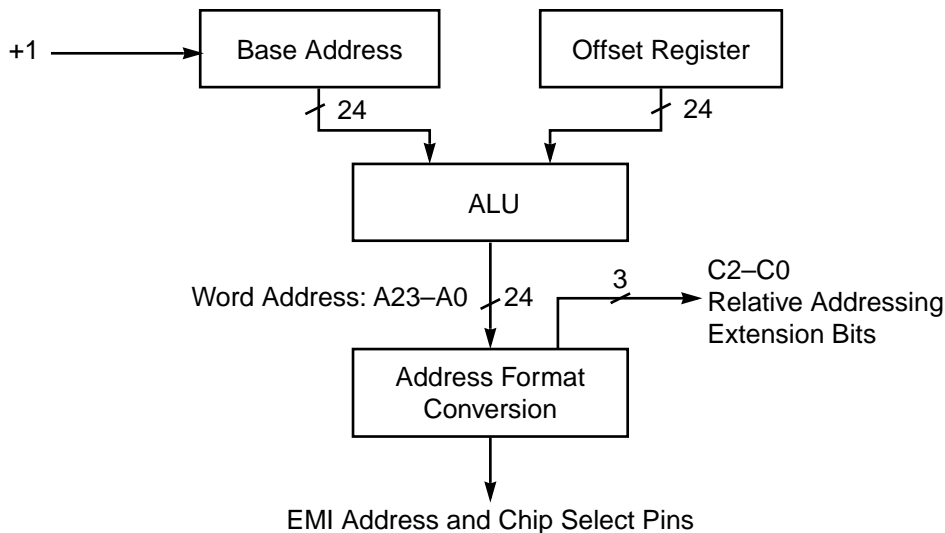


Figure 4-4 EMI Address Generation Block Diagram

When using the SRAM or DRAM Relative Addressing modes, the physical addresses are generated by the Address Format Conversion circuit after appending extension bits to the right of the word address. **Table 4-12** shows the extension bits used for every possible combination of word length and bus width, the number of accesses required (equal to the number of physical addresses generated) and the states that the extension bits run through during the accesses.

Table 4-12 Relative Addressing Extension Bits

| Word Length | Bus Width | No. Access | Running Order | Active Extension Bits |
|-----------------|-----------|------------|------------------------------|-----------------------|
| 8 | 4-bit | 2 | 0,1 | C0 |
| 8 | 8-bit | 1 | none | none |
| 12 | 4-bit | 3 | 01, 10, 11 | C1, C0 |
| 16 | 4-bit | 4 | 00, 01, 10,11 | C1, C0 |
| 12 or 16 | 8-bit | 2 | 0,1 | C0 |
| 20 | 4-bit | 5 | 011, 100, 101, 110, 111 | C2, C1, C0 |
| 24 | 4-bit | 6 | 010, 011, 100, 101, 110, 111 | C2, C1, C0 |
| 20 or 24 | 8-bit | 3 | 01, 10, 11 | C1, C0 |
| 16 (24 Address) | 4-bit | 4 | 100, 101, 110,111 | C2, C1, C0 |
| 16 (24 Address) | 8-bit | 2 | 10, 11 | C1, C0 |

4.3.1 SRAM Absolute Addressing

The SRAM Absolute Addressing mode is selected when $EAM[3:0] = 0000$. In this addressing mode, the physical address is formed by writing the 15 LSBs of the calculated word address ($A[14:0]$) directly to the $MA[14:0]$ address pins. The $A[23:15]$ portion of the word address is ignored. No extension bits are used in the physical address generation. $MA15$ and $\overline{MCS0}$ are held high.

If more than one physical address must be accessed to complete the word transfer, $EBARx$ must be post-incremented by one after each physical address access, otherwise the same physical address will be accessed more than once. In this case, it is required that the appropriate control bit be set in the ECSR (EINR for reads, EINW for writes). The EMI will execute the series of accesses required, incrementing $EBARx$ after each access, packing (during a read operation) or unpacking (during a write operation) the data word segment. The accesses proceed from the least significant to the most significant portion of the word. For each of the accesses, the contents of

EBARx and EOR are written to the ALU. The contents of EBARx or EOR should not be changed during word transfers. The SRAM Absolute Addressing mode is useful when accessing external peripherals or memories that contain program segments, cases where it is important to have a one-to-one correspondence between the word address and the external physical location. This mode can be used concurrently with either the SRAM Relative Addressing or the DRAM Relative Addressing; that is, it is possible to access static memory devices or peripherals using the Absolute Addressing mode while having data-delay buffers implemented in either SRAM or DRAM memories. Note that it is assumed that the device select for the devices being addressed with the Absolute Addressing mode is provided by circuits that are external to the EMI, such as a GPIO signal. While in the SRAM Absolute Addressing mode, refresh of DRAMs connected to the EMI will continue if the refresh is enabled in the ERCCR.

4.3.2 SRAM Relative Addressing

The SRAM Relative Addressing modes (EAM[3:0] = 0001, 0010, 0011) are used to implement data-delay buffers in SRAM. In this addressing mode, the physical addresses required are formed by taking some LSBs of the calculated word address and appending from 0 to 3 extension bits to the right of the word address (forming the LSBs of the physical address). The extension bits are then used to generate the number of physical addresses required.

- When EAM[3:0] = 0001, it is possible to connect directly a single 4-bit or 8-bit wide SRAM device of up to 256 K addresses, since only $\overline{MCS0}$ is active for any access.
- When EAM[3:0] = 0010, it is possible to connect directly up to two 4-bit or 8-bit wide SRAM devices with up to 128 K addresses each, since $\overline{MCS0}$ and $\overline{MCS1}$ are active.
- When EAM[3:0] = 0011, it is possible to connect directly up to four 4-bit or 8-bit wide SRAM devices with up to 32 K addresses each, since $\overline{MCS0}$, $\overline{MCS1}$, $\overline{MCS2}$, and $\overline{MCS3}$ are active.

Note: In this addressing mode, if the word length is 20 bits or 24 bits (or 16 bits using 24-bit addressing), it is possible to connect only three SRAMs (and save memory), since $\overline{MCS0}$ will not be activated at all.

Table 4-13 summarizes the address generation for the SRAM Addressing modes.

Table 4-13 Word Address to Physical Address Mapping for SRAM

| EAM [3:0] | SRAM Max size | EWL [2:0] | EBW | MCS0 | MRAS | $\overline{\text{MCAS}}$ | MA15 | MA [14:0] |
|-----------|---------------|-----------|-----|--------------------------------------|--------------------------------------|--------------------------|------|---------------------|
| 0000 | 1 × 32 K | xx | x | High | MRAS | MCAS | High | A [14:0] |
| 0001 | 1 × 256 K | 000 | 0 | Low | A16 | A15 | A14 | A [13:0], C0 |
| | | | 1 | Low | A17 | A16 | A15 | A [14:0] |
| | | X01 | 0 | Low | A15 | A14 | A13 | A[12:0], C0, C1 |
| | | | 1 | Low | A16 | A15 | A14 | A[13:0], C0 |
| | | X1X | 0 | Low | A14 | A13 | A12 | A[11:0], C0, C1, C2 |
| | | | 1 | Low | A15 | A14 | A13 | A[12:0], C0, C1 |
| 0010 | 2 × 128 K | 000 | 0 | $\overline{\text{MCS0}} = \text{C0}$ | $\overline{\text{MCS1}} = \text{C0}$ | A16 | A15 | A [14:0] |
| | | | 1 | $\overline{\text{MCS0}} = \text{A0}$ | $\overline{\text{MCS1}} = \text{A0}$ | A17 | A16 | A [15:1] |
| | | X01 | 0 | $\overline{\text{MCS0}} = \text{C1}$ | $\overline{\text{MCS1}} = \text{C1}$ | A15 | A14 | A[13:0], C0 |
| | | | 1 | $\overline{\text{MCS0}} = \text{C0}$ | $\overline{\text{MCS1}} = \text{C0}$ | A16 | A15 | A [14:0] |
| | | X1X | 0 | $\overline{\text{MCS0}} = \text{C2}$ | $\overline{\text{MCS1}} = \text{C2}$ | A14 | A13 | A[12:0], C0, C1 |
| | | | 1 | $\overline{\text{MCS0}} = \text{C1}$ | $\overline{\text{MCS1}} = \text{C1}$ | A15 | A14 | A[13:0], C0 |

Table 4-13 Word Address to Physical Address Mapping for SRAM (Continued)

| EAM [3:0] | SRAM Max size | EWL [2:0] | EBW | MCS0 | MRAS | $\overline{\text{MCAS}}$ | MA15 | MA [14:0] |
|-----------|---------------|-----------|-----|--|--|--|--|-------------|
| 0011 | 4 × 32 K | 000 | 0 | $\overline{\text{MCS0}} = \overline{\text{A0} \ \& \ \text{C0}}$ | $\overline{\text{MCS1}} = \overline{\text{A0} \ \& \ \text{C0}}$ | $\overline{\text{MCS2}} = \overline{\text{A0} \ \& \ \text{C0}}$ | $\overline{\text{MCS3}} = \overline{\text{A0} \ \& \ \text{C0}}$ | A [15:1] |
| | | | 1 | $\overline{\text{MCS0}} = \overline{\text{A1} \ \& \ \text{C0}}$ | $\overline{\text{MCS1}} = \overline{\text{A1} \ \& \ \text{A0}}$ | $\overline{\text{MCS2}} = \overline{\text{A1} \ \& \ \text{A0}}$ | $\overline{\text{MCS3}} = \overline{\text{A1} \ \& \ \text{A0}}$ | A [16:2] |
| | | X01 | 0 | $\overline{\text{MCS0}} = \overline{\text{C0} \ \& \ \text{C1}}$ | $\overline{\text{MCS1}} = \overline{\text{C0} \ \& \ \text{C1}}$ | $\overline{\text{MCS2}} = \overline{\text{C0} \ \& \ \text{C1}}$ | $\overline{\text{MCS3}} = \overline{\text{C0} \ \& \ \text{C1}}$ | A [14:0] |
| | | | 1 | $\overline{\text{MCS0}} = \overline{\text{A0} \ \& \ \text{C0}}$ | $\overline{\text{MCS1}} = \overline{\text{A0} \ \& \ \text{C0}}$ | $\overline{\text{MCS2}} = \overline{\text{A0} \ \& \ \text{C0}}$ | $\overline{\text{MCS3}} = \overline{\text{A0} \ \& \ \text{C0}}$ | A [15:1] |
| | | X1X | 0 | $\overline{\text{MCS0}} = \overline{\text{C1} \ \& \ \text{C2}}$ | $\overline{\text{MCS1}} = \overline{\text{C1} \ \& \ \text{C2}}$ | $\overline{\text{MCS2}} = \overline{\text{C1} \ \& \ \text{C2}}$ | $\overline{\text{MCS3}} = \overline{\text{C1} \ \& \ \text{C2}}$ | A[13:0], C0 |
| | | | 1 | $\overline{\text{MCS0}} = \overline{\text{C0} \ \& \ \text{C1}}$ | $\overline{\text{MCS1}} = \overline{\text{C0} \ \& \ \text{C1}}$ | $\overline{\text{MCS2}} = \overline{\text{C0} \ \& \ \text{C1}}$ | $\overline{\text{MCS3}} = \overline{\text{C0} \ \& \ \text{C1}}$ | A [14:0] |

4.3.3 DRAM Relative Addressing

The DRAM Relative Addressing modes (EAM[3:0] = 01xx) are used when implementing data-delay buffers in DRAM. In DRAM relative addressing, each word access is translated into physical addresses by first generating the row address and then following with one or more column addresses. The row access is an out-of-page (i.e., slow) access, while the subsequent column accesses are in-page (i.e., fast) accesses. The row address is formed by taking part of the calculated word address (the number of bits will be determined by the number of rows in the DRAM). The column addresses are generated by taking the remaining bits of the word address and appending from 0 to 3 extension bits to the right (forming the LSBs of the column addresses). The extension bits are then used to generate the number of column addresses required. Address pins that are not required are kept at the

low-logic level. Device select pins are deasserted. **Table 4-14** describes the word-address-to-physical-address mapping for DRAM. **Table 4-15** on page 4-29 summarizes the address generation for DRAM relative addressing.

Table 4-14 Word-Address-to-Physical-Address Mapping for DRAM

| EAM [2:0] | DRAM size | ROW/ COL | EWL [1:0] | EBW | MA10 | MA9 | MA8 | MA7 | MA[6:3] | MA2 | MA1 | MA0 | | |
|-----------|-----------|----------|-----------|-----|------|-----|-----|-----|----------|----------|----------|-----|-----|----|
| 100 | 64 K | R | 00 | 0 | 0 | 0 | 0 | A7 | A[6:3] | A2 | A1 | A0 | | |
| | | C | | | 0 | 0 | 0 | A14 | A[13:10] | A9 | A8 | C0 | | |
| | | C | | | 1 | 0 | 0 | A15 | A[14:11] | A10 | A9 | A8 | | |
| | | C | 01 | 0 | 0 | 0 | 0 | A13 | A[12:9] | A8 | C0 | C1 | | |
| | | C | | | | | | | | | | | 1 | 0 |
| | | C | 1X | 0 | 0 | 0 | 0 | A12 | A[11:8] | C0 | C1 | C2 | | |
| | | C | | | | | | | | | | | 1 | 0 |
| 101 | 256 K | R | 00 | 0 | 0 | 0 | A8 | A7 | A[6:3] | A2 | A1 | A0 | | |
| | | C | | | 0 | 0 | A16 | A15 | A[14:11] | A10 | A9 | C0 | | |
| | | C | | | 1 | 0 | 0 | A17 | A16 | A[15:12] | A11 | A10 | A9 | |
| | | C | 01 | 0 | 0 | 0 | A15 | A14 | A[13:10] | A9 | C0 | C1 | | |
| | | C | | | | | | | | | | | 1 | 0 |
| | | C | 1X | 0 | 0 | 0 | A14 | A13 | A[12:9] | C0 | C1 | C2 | | |
| | | C | | | | | | | | | | | 1 | 0 |
| 110 | 1 M | R | 00 | 0 | 0 | A9 | A8 | A7 | A[6:3] | A2 | A1 | A0 | | |
| | | C | | | 0 | A18 | A17 | A16 | A[15:12] | A11 | A10 | C0 | | |
| | | C | | | 1 | 0 | A19 | A18 | A17 | A[16:13] | A12 | A11 | A10 | |
| | | C | 01 | 0 | 0 | 0 | A17 | A16 | A15 | A[14:11] | A10 | C0 | C1 | |
| | | C | | | | | | | | | | | | 1 |
| | | C | 1X | 0 | 0 | 0 | A16 | A15 | A14 | A[13:10] | C0 | C1 | C2 | |
| | | C | | | | | | | | | | | | 1 |
| 111 | 4 M | R | 00 | 0 | A10 | A9 | A8 | A7 | A[6:3] | A2 | A1 | A0 | | |
| | | C | | | A20 | A19 | A18 | A17 | A[16:13] | A12 | A11 | C0 | | |
| | | C | | | 1 | A21 | A20 | A19 | A18 | A[17:14] | A13 | A12 | A11 | |
| | | C | 01 | 0 | 0 | 0 | A19 | A18 | A17 | A16 | A[15:12] | A11 | C0 | C1 |
| | | C | | | | | | | | | | | | |
| | | C | 1X | 0 | 0 | 0 | A18 | A17 | A16 | A15 | A[14:11] | C0 | C1 | C2 |
| | | C | | | | | | | | | | | | |

Table 4-15 Address Generation For DRAM Relative Addressing

| EAM [3:0] | DRAM size | ROW/ COL | EWL [2:0] | EBW | MA10 | MA9 | MA8 | MA7 | MA[6:3] | MA2 | MA1 | MA0 |
|-----------|-----------|----------|-----------|-----|------|-----|-----|-----|----------|-----|-----|-----|
| 0100 | 64 K | R | — | — | 0 | 0 | 0 | A7 | A[6:3] | A2 | A1 | A0 |
| | | C | 000 | 0 | 0 | 0 | 0 | A14 | A[13:10] | A9 | A8 | C0 |
| | | C | | 1 | 0 | 0 | 0 | A15 | A[14:11] | A10 | A9 | A8 |
| | | C | X01 | 0 | 0 | 0 | 0 | A13 | A[12:9] | A8 | C0 | C1 |
| | | C | | 1 | 0 | 0 | 0 | A14 | A[13:10] | A9 | A8 | C0 |
| | | C | X1X | 0 | 0 | 0 | 0 | A12 | A[11:8] | C0 | C1 | C2 |
| | | C | | 1 | 0 | 0 | 0 | A13 | A[12:9] | A8 | C0 | C1 |
| 0101 | 256 K | R | — | — | 0 | 0 | A8 | A7 | A[6:3] | A2 | A1 | A0 |
| | | C | 000 | 0 | 0 | 0 | A16 | A15 | A[14:11] | A10 | A9 | C0 |
| | | C | | 1 | 0 | 0 | A17 | A16 | A[15:12] | A11 | A10 | A9 |
| | | C | X01 | 0 | 0 | 0 | A15 | A14 | A[13:10] | A9 | C0 | C1 |
| | | C | | 1 | 0 | 0 | A16 | A15 | A[14:11] | A10 | A9 | C0 |
| | | C | X1X | 0 | 0 | 0 | A14 | A13 | A[12:9] | C0 | C1 | C2 |
| | | C | | 1 | 0 | 0 | A15 | A14 | A[13:10] | A9 | C0 | C1 |
| 0110 | 1 M | R | — | — | 0 | A9 | A8 | A7 | A[6:3] | A2 | A1 | A0 |
| | | C | 000 | 0 | 0 | A18 | A17 | A16 | A[15:12] | A11 | A10 | C0 |
| | | C | | 1 | 0 | A19 | A18 | A17 | A[16:13] | A12 | A11 | A10 |
| | | C | X01 | 0 | 0 | A17 | A16 | A15 | A[14:11] | A10 | C0 | C1 |
| | | C | | 1 | 0 | A18 | A17 | A16 | A[15:12] | A11 | A10 | C0 |
| | | C | X1X | 0 | 0 | A16 | A15 | A14 | A[13:10] | C0 | C1 | C2 |
| | | C | | 1 | 0 | A17 | A16 | A15 | A[14:11] | A10 | C0 | C1 |
| 0111 | 4 M | R | — | — | A10 | A9 | A8 | A7 | A[6:3] | A2 | A1 | A0 |
| | | C | 000 | 0 | A20 | A19 | A18 | A17 | A[16:13] | A12 | A11 | C0 |
| | | C | | 1 | A21 | A20 | A19 | A18 | A[17:14] | A13 | A12 | A11 |
| | | C | X01 | 0 | A19 | A18 | A17 | A16 | A[15:12] | A11 | C0 | C1 |
| | | C | | 1 | A20 | A19 | A18 | A17 | A[16:13] | A12 | A11 | C0 |
| | | C | X1X | 0 | A18 | A17 | A16 | A15 | A[14:11] | C0 | C1 | C2 |
| | | C | | 1 | A19 | A18 | A17 | A16 | A[15:12] | A11 | C0 | C1 |

4.3.4 DRAM Absolute Addressing

The DRAM Absolute Addressing mode is selected when $EAM[3:0] = 11xx$. In this addressing mode, no extension bits are used in the physical address generation.

- $EAM[3:0] = '1100'$ —The physical address is formed by multiplexing the sixteen LSBs of the calculated word address ($A[15:0]$) into the $MA[7:0]$ address pins. The row address is formed by the least significant part ($A[7:0]$) and the column address is formed by the remaining bits of the word address ($A[15:8]$).
- $EAM[3:0] = '1101'$ —The physical address is formed by multiplexing the eighteen LSBs of the calculated word address ($A[17:0]$) into the $MA[8:0]$ address pins. The row address is formed by the least significant part ($A[8:0]$) and the column address is formed by the remaining bits of the word address ($A[17:9]$).
- $EAM[3:0] = '1110'$ —The physical address is formed by multiplexing the twenty LSBs of the calculated word address ($A[19:0]$) into the $MA[9:0]$ address pins. The row address is formed by the least significant part ($A[9:0]$) and the column address is formed by the remaining bits of the word address ($A[19:10]$).
- $EAM[3:0] = '1111'$ —The physical address is formed by multiplexing the twenty-two LSBs of the calculated word address ($A[21:0]$) into the $MA[10:0]$ address pins. The row address is formed by the least significant part ($A[10:0]$) and the column address is formed by the remaining bits of the word address ($A[21:11]$).

If more than one physical address must be accessed to complete the word transfer, $EBARx$ must be post-incremented by one after each physical address access, otherwise the same physical address will be accessed more than once. To prevent this occurrence, the appropriate ECSR control bit should be set (EINR for reads, EINW for writes). The EMI will execute the series of accesses required, incrementing $EBARx$ after each access, packing (during a read operation) or unpacking (during a write operation) the data word segments. The accesses proceed from the least significant to the most significant portion of the word. For each of the accesses, the contents of $EBARx$ and EOR/EWOR are written to the ALU. The contents of the relevant $EBARx$ and EOR/EWOR should not be changed during the word transfers.

In the DRAM Absolute Addressing mode, each physical address access is executed as an independent “out-of-page” DRAM access. As a result, a data word transfer when executed in the DRAM Absolute Addressing mode is slower than a transfer executed in the DRAM Relative Addressing mode (see **Table 4-10** on page 4-19). The DRAM Absolute Addressing modes, however, are useful when 20- or 24-bit data words are used and the wasted memory locations that appear in the DRAM Relative

Addressing modes are not acceptable. **Table 4-16** summarizes the address generation for DRAM absolute addressing.

Table 4-16 Word-to-Physical-Address Mapping for DRAM Absolute Addressing

| EAM[3:0] | DRAM size | ROW/ COL | EWL [2:0] | EBW | MA10 | MA9 | MA8 | MA7 | MA[6:3] | MA2 | MA1 | MA0 |
|----------|-----------|----------|-----------|-----|------|-----|-----|-----|----------|-----|-----|-----|
| 1100 | 64 K | R | — | — | 0 | 0 | 0 | A7 | A[6:3] | A2 | A1 | A0 |
| | | C | XXX | X | 0 | 0 | 0 | A15 | A[14:11] | A10 | A9 | A8 |
| 1101 | 256 K | R | — | — | 0 | 0 | A8 | A7 | A[6:3] | A2 | A1 | A0 |
| | | C | XXX | X | 0 | 0 | A17 | A16 | A[15:12] | A11 | A10 | A9 |
| 1110 | 1 M | R | — | — | 0 | A9 | A8 | A7 | A[6:3] | A2 | A1 | A0 |
| | | C | XXX | X | 0 | A19 | A18 | A17 | A[16:13] | A12 | A11 | A10 |
| 1111 | 4 M | R | — | — | A10 | A9 | A8 | A7 | A[6:3] | A2 | A1 | A0 |
| | | C | XXX | X | A21 | A20 | A19 | A18 | A[17:14] | A13 | A12 | A11 |

4.4 DRAM REFRESH

DRAM devices require periodic refresh of the data stored in their memory cells (typically every few milliseconds). The EMI can carry out DRAM refresh either by accessing the memory cells frequently enough, or by using dedicated DRAM refresh accesses. The EMI is capable of generating $\overline{\text{CAS}}$ before $\overline{\text{RAS}}$ refresh cycles automatically or under software control. The refresh cycle insertion rate is controlled by a programmable refresh timer. Refer to **Section 4.4.5 DRAM Refresh Timing** for more details on DRAM refresh requirements.

There are four ways to refresh a DRAM memory connected to the EMI. The way in which the refresh is achieved has a major influence on the EMI real-time performance and on the EMI channel bandwidth.

4.4.1 DRAM Refresh Without Using The Internal Refresh Timer

It is possible to refresh the DRAM by data access itself if a sufficient number of accesses are performed in the required refresh time, and all rows are accessed. This, however, must be assured. The EMI address translation is performed in such a way that it is possible to satisfy these requirements by carefully choosing the base addresses of the different data-delay buffers.

The EMI physical address is generated using the LSBs of the calculated addresses to represent row addresses, so running sequentially through the address space of a large data buffer during a whole DRAM refresh cycle should cause a refresh of all of the rows. The time to complete a refresh cycle can be halved by using two data buffers such that their base addresses use different LSBs (row addresses) for half of the required DRAM row addresses. The user must, however, run through both data buffers sequentially at the same frequency.

Example 4-1 Refresh Cycle

Assume that:

- A 44.1 KHz audio sampling frequency is used and the main code loops once every sample period.
- The external memory has 512 rows ($256\text{ K} \times 4$ or $\times 8$), and needs to refresh all of its rows every 8 ms.
- Two data-delay buffers are used and one access to each buffer is performed in every sample period. The EMI increments the base address during each access.
- The LSBs of the base addresses are chosen as follows:
 - Buffer 1: EBAR (Most Significant Bits (MSBs)) arbitrary; EBAR[8:0] = 000000000;
 - Buffer 2: EBAR (MSBs) arbitrary; EBAR[8:0] = 100000000;

Running through 256 sequential locations in both data buffers assures that all the rows are refreshed. The main code loops 352 times in 8 ms, accessing all DRAM memory locations of the 9 LSBs of the physical address using the Incremented Addressing mode. Since the LSBs of the physical addresses correspond to the row addresses, all rows are refreshed. The same implementation can be extended using 4, 8, or 16 data-delay buffers.

4.4.2 DRAM Refresh OnCE Port Debug Mode Consideration

While the On-Chip Emulation (OnCE) port is in the Debug mode, regular operation of the DSP core is suspended and no regular access to the DRAMs can occur. Stored data can therefore be lost. In order to avoid such a situation the user should set the ERED bit in the ERCCR—see **Section 4.2.8 EMI Refresh Control Register (ERCCR)**. Refresh cycles will then be initiated by the internal refresh timer according to the ERCCR setting.

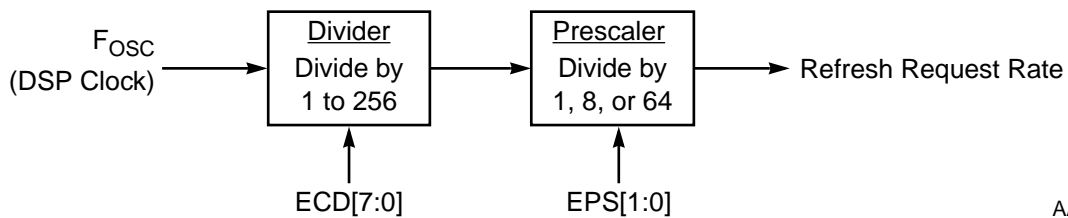
4.4.3 Using The Internal Refresh Timer

Refresh cycles can be periodically inserted by the EMI. The refresh cycle insertion rate is controlled by the programmable refresh timer. The refresh activity is enabled or disabled according to the EREF and ERED bits in the ERCCR and refresh is active only in the EMI DRAM operating modes, or in the concurrent SRAM mode where the multiplexed pins are defined as $\overline{\text{CAS}}$ and $\overline{\text{RAS}}$.

The EMI always completes its current operation and then checks for pending read or write triggers. The refresh request has the highest priority, otherwise the channel could be kept too busy by the user to ensure all of the DRAM data is refreshed.

The $\overline{\text{CAS}}$ before $\overline{\text{RAS}}$ refresh cycles are inserted between memory accesses when the EMI controller is in its idle state and a refresh request has been delivered by the refresh timer. The refresh request is internally reset at the end of the external refresh cycle. The selected refresh cycle rate must take into account the DSP clock frequency and the DRAM device refresh requirements.

The refresh timer block diagram is illustrated in **Figure 4-5**. The DSP clock is first divided by a factor ranging between 1 and 256 (according to the ECD bits in ERCCR), and then by 1, 8, or 64 using a prescaler (selected by bits EPS[1:0]), to achieve the required refresh rate.



AA0297k

Figure 4-5 Refresh Timer Functional Diagram.

4.4.3.1 “On Line” Refresh

During initialization, the user should set the ECSR EDTM bit and the ERCCR bits for the required DRAM refresh cycle timing, refresh enable (EREF), and refresh rate. After this the user does not have to consider refresh cycles, as the internal refresh timer will continuously initiate refresh cycles at the programmed rate. Refer to **Section 4.4.5** for more details.

Note: Special attention should be given to cases in which data transfers are performed when the DSP is not polling status bits or receiving EMI interrupts, as the predetermined number of instruction cycles can change due to the insertion of external refresh cycles.

DRAM Refresh

4.4.3.2 “Off Line” Refresh

If the user application has a real-time loop, in which the program initiates external data accesses after which the EMI channel is idle, it is possible to use this idle-time window to refresh the DRAM in a burst manner. This method is useful for real-time applications where data transfers should be performed at maximum speed and the number of instruction cycles per data transfer is critical.

During initialization the user should set the ECSR EDTM bit and the applicable bits in the ERCCR for the appropriate DRAM Timing mode and refresh rate. During the time window, when no external data accesses are executed, the user should set the ERCCR refresh Enable bit (EREF), turning it off before exiting the time window. When the EREF bit is set, the refresh timer will initiate refresh cycles and this bit is cleared once more. Care should be taken to ensure that a sufficient number of refresh cycles are executed during the time EREF is set. Refer to **Section 4.4.5** for more details.

4.4.3.3 OnCE Port Debug Mode Consideration

OnCE port operation does not affect the internal refresh timer. No special consideration is necessary when using the “on line” refresh method. If using the “off line” refresh method, however, the execution can stop when the refresh timer is off and data stored in the DRAM can be lost. In order to avoid this situation, the user should set the ERCCR ERED bit, and refresh cycles will be initiated by the internal refresh timer according to the ERCCR setting only when the OnCE port is in the Debug mode.

4.4.4 Software Controlled Refresh

If the user application has a real-time loop, where the program initiates external data accesses after which the EMI channel is idle, it is possible to use this idle time window to refresh the DRAM in a burst manner. This method is useful for real-time applications where data transfers should be performed at maximum speed and the number of instruction cycles-per-data-transfer is critical.

During initialization the user should set the ECSR EDTM bit (and the applicable bits in the ERCCR) to select the appropriate DRAM Timing mode and refresh rate. During the time window, when no external data accesses are executed, the user should set the ERCCR one-shot refresh enable bit (EOSR), thus inserting one refresh cycle at a time. Care should be taken to ensure that a sufficient number of refresh cycles are executed. Refer to **Section 4.4.5** for more details.

4.4.5 DRAM Refresh Timing

Table 4-17 shows the typical refresh requirements of some Motorola DRAM devices. Note that the column “periodic refresh per row” refers to the time between the refresh cycles if refreshing is continuous.

Table 4-17 Typical DRAM Refresh Timing Requirements

| Device | Size | Number of rows | Whole refresh cycle | Periodic refresh per row |
|-------------|-----------|----------------|---------------------|--------------------------|
| MCM514256A | 256 K × 4 | 512 | 8 ms | 15.6 μs |
| MCM51L4256A | 256 K × 4 | 512 | 64 ms | 124.8 μs |
| MCM514400 | 1 M × 4 | 1024 | 16 ms | 15.6 μs |
| MCM51L4400 | 1 M × 4 | 1024 | 128 ms | 124.8 μs |
| MCM84000 | 4 M × 8 | 1024 | 16 ms | 15.6 μs |
| MCM8L4000 | 4 M × 8 | 1024 | 128 ms | 124.8 μs |

To program the refresh timer for periodic refresh requests, the following equation can be used:

$$ECD \leq \frac{PRF \times \text{FREQ}}{EPS}$$

where:

- ECD is the refresh divider value, an integer in the range of 1 to 256.
- PRF is the DRAM periodic refresh period (in seconds) per row (see **Table 4-17**).
- FREQ is the internal device operating frequency in Hz.
- EPS is the prescaler value: 1, 8, or 64.

If the refresh cycles are to be executed in a single burst, it is possible to program the refresh timer for the highest refresh request rate possible.

Table 4-18 shows the timings and bit settings for continuous refresh cycles, cross referenced with appropriate clock frequencies.

Note: For the continuous method, the DRAMs require a certain time between the refresh of each row. This time does not change for DRAMs of different sizes.

Table 4-18 Continuous Refresh: Timings And Settings For EPS[1:0] And ECD[7:0]

| DSP Clock Frequency | Max Time Between Refresh Cycles | EPS Setting | ECD Setting | Actual Time Between Refresh Cycles |
|---|---------------------------------|-------------|-------------|------------------------------------|
| 40 MHz | 15.6 μ s | 01 | 77 | 15.6 μ s |
| | 124.8 μ s | 00 | 77 | 124.8 μ s |
| 50 MHz | 15.6 μ s | 01 | 96 | 15.52 μ s |
| | 124.8 μ s | 00 | 96 | 124.2 μ s |
| 66 MHz | 15.6 μ s | 01 | 127 | 15.52 μ s |
| | 124.8 μ s | 00 | 127 | 124.2 μ s |
| 81 MHz | 15.6 μ s | 01 | 157 | 15.6 μ s |
| | 124.8 μ s | 00 | 157 | 124.8 μ s |
| Note: Timer resolution is for a prescaling of 8. The refresh timer initiates a refresh request every (ECD set + 1) \times prescale. | | | | |

Table 4-19 shows the timings and bit settings for burst refresh cycles, cross-referenced to appropriate clock frequencies.

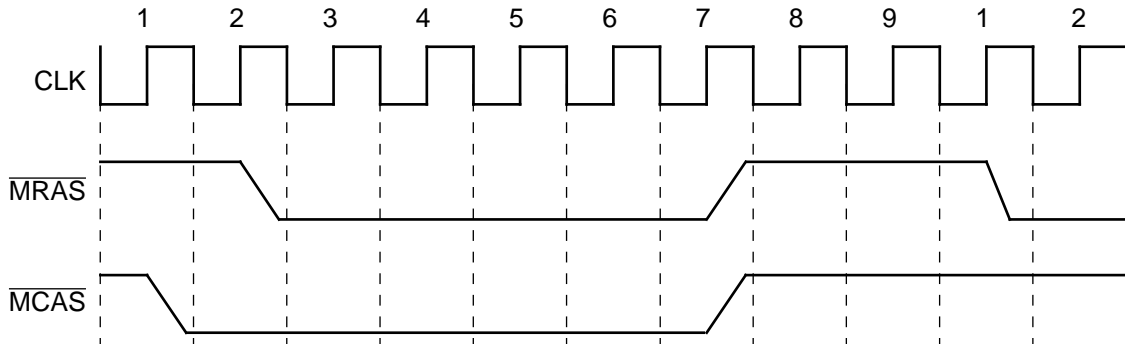
Note: The DRAMs are usually required to refresh all rows within a certain time. This time does not change for DRAMs of different sizes.

Table 4-19 Burst Refresh: Timings And Settings For EPS[1:0] And ECD[7:0]

| DSP Clock Frequency | Fast Timing Mode/ Slow Timing Mode (1 Refresh Cycle) | Max Time To Refresh 512 Rows | EPS Setting | ECD Setting | % Of Execution Code Time EREF is Set (Fast/Slow) |
|---------------------|--|---------------------------------|-------------|-------------|--|
| 40 MHz | 0.225 μ s | 8 ms | 10 | 8 | 1.44% / 2.08% |
| | 0.325 μ s | 64 ms | 10 | 12 | 0.18% / 0.26% |
| 50 MHz | 0.180 μ s | 8 ms | 10 | 8 | 1.15% / 1.66% |
| | 0.260 μ s | 64 ms | 10 | 12 | 0.14% / 0.21% |
| 66 MHz | 0.136 μ s | 8 ms | 10 | 8 | 0.87% / 1.26% |
| | 0.197 μ s | 64 ms | 10 | 12 | 0.11% / 0.16% |
| 81 MHz | n.a. | 8 ms | n.a. | n.a. | n.a. / 1.03% |
| | 0.161 μ s | 64 ms | 10 | 12 | n.a. / 0.13% |

Figure 4-6 shows the timing for a DRAM refresh cycle when fast timing is selected. **Figure 4-7** shows the timing for a DRAM refresh cycle when slow timing is selected.

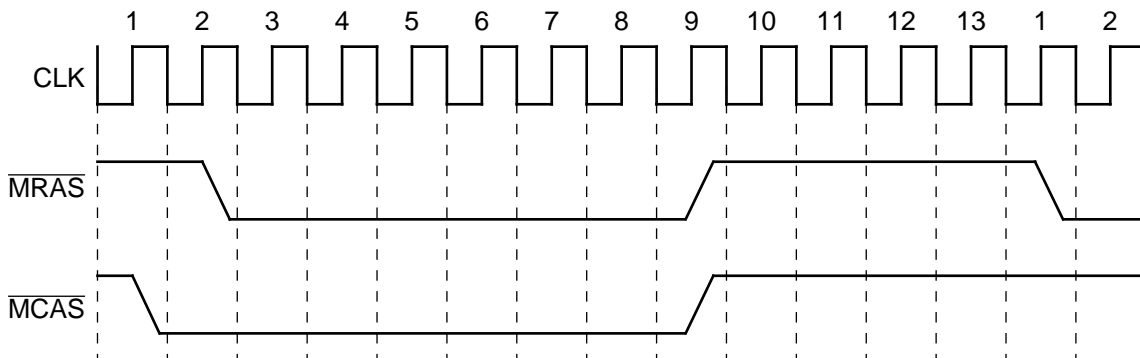
Note: Timer resolution is for a prescaling of 8. The refresh timer initiates a refresh request every $(ECD\ set + 1) \times prescale$.



During a Refresh Cycle: \overline{MCSx} , \overline{MRD} and \overline{MWR} are deasserted (high), data lines remain high impedance, and address lines remain unchanged.

AA0298k

Figure 4-6 Timing Diagram of a DRAM Refresh Cycle (Fast)



During a Refresh Cycle: \overline{MCSx} , \overline{MRD} and \overline{MWR} are deasserted (high), data lines remain high impedance, and address lines remain unchanged.

AA0299

Figure 4-7 Timing Diagram Of a DRAM Refresh Cycle (Slow)

4.5 EMI OPERATING CONSIDERATIONS

This section describes aspects of EMI operation that should be particularly noted by designers of applications using the EMI.

4.5.1 EMI Triggering and Pipelining

The EMI is double-buffered in both the address and the data paths. This feature allows for pipelined operation of consecutive read or write accesses. Thus, while a memory access is being performed, the next access can be triggered, proceed through to the address calculation stage where it is kept on hold until the current access is completed. As a result, the EMI performance is increased since the address calculation overlaps with actual memory access, and while the DSP side is interrupted for service, the next access is being executed on the memory side.

The EMI accepts three types of triggering: DRAM refresh, write transfer, and read transfer. The EMI always completes its current operation before checking for pending triggers. The DRAM refresh has the highest priority. Write and read transfers have the same priority and are serviced according to the arrival order. When the EMI is idle, two consecutive operations can be triggered without the need to check status bits for any combination of read and write triggers. As long as a trigger is pending, any additional trigger will override and replace the pending one.

For better reference to the DSP core activity, EMI data accesses can be measured in instruction cycles (I_{cyc}) where one I_{cyc} equals two processor clock cycles. EMI data access durations are denoted by “N” I_{cyc} . N can easily be obtained from **Table 4-10** on page 4-19 and **Table 4-11** on page 4-20 by dividing the number of clock cycles by 2. For cases where the number of clock cycles is odd, N can be rounded up (conservative approach), or for consecutive EMI accesses N can be rounded alternately up and down.

The EMI pipeline mechanism operates according to the following rules:

- If both read and write data paths are free ($EBSY = 0$ and $EBDF = 0$), and a trigger is generated, it is considered as the first trigger. When this occurs:
 - $EBSY$ is set immediately,
 - the address calculation is executed at the next I_{cyc} , and
 - the external access starts at the next cycle after I_{cyc} and ends $N I_{cyc}$ later.

- If an access is being processed ($EBSY = 1$), an additional trigger can be generated. This trigger will be considered pending if:
 - the address calculation is executed overlapping the last I_{cyc} of the current access, and/or
 - the external access immediately follows, thus providing full bus bandwidth.
- EBAR is incremented and updated (if $EINR = 1$ for read, or $EINW = 1$ for write) one I_{cyc} after the address calculation time frame.
- Following a read access, the data is available on EDRR, and can be read by the DSP core:
 - **SRAM modes**—at the first I_{cyc} after completing the external access
 - **Fast DRAM mode**—at the last I_{cyc} of the external access
 - **Slow DRAM mode**—at the I_{cyc} after the last I_{cyc} of the external access

Special consideration should be given when triggering a new access after two read accesses since the EMI Data Register Buffer (EDRB) can be full if the EMI Data Read Register (EDRR) is also full. In this case the new trigger will remain pending and the new access will not take place until the EDRB is empty. The status of the EDRB can be verified by checking the ECSR EBDF flag. If $EBDF = 0$ after a read operation, the EDRB is empty and it is possible to start a new access immediately. **Figure 4-8** illustrates the EMI pipeline.

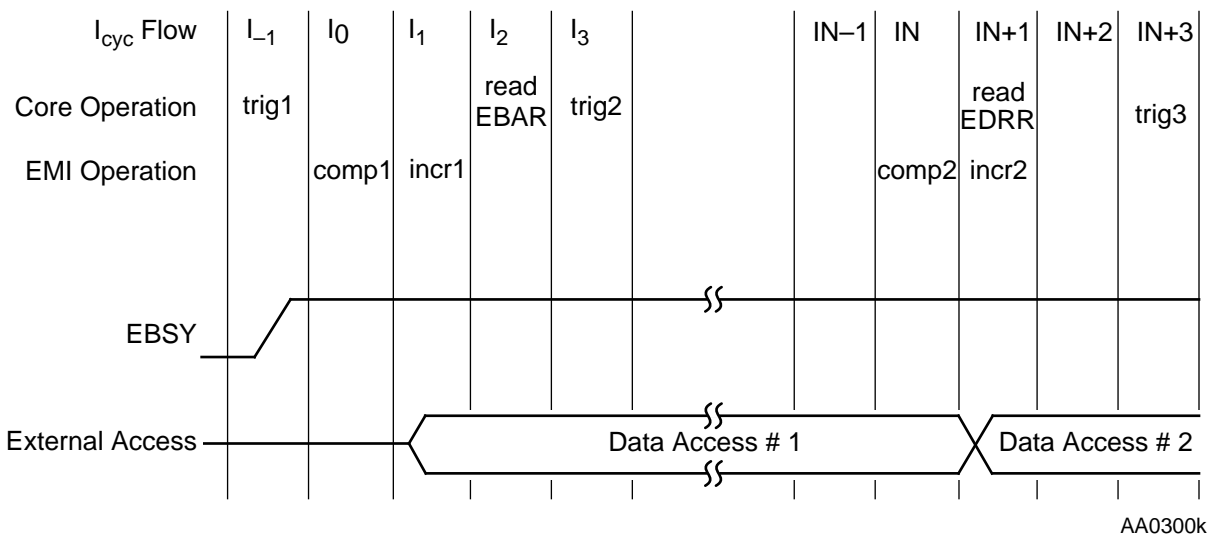


Figure 4-8 EMI Pipeline

The following assumptions apply to **Figure 4-8**:

- First trigger is generated at I_{-1} (trig1)
- The address computation of trig1 is done at I_0 . The external access of trig1 begins at I_1 . Its duration is $N I_{cyc}$.
- The optional increment and update of EBAR due to trig1 is done at I_1 .
- Updated EBAR of trig1 can be read from the core starting from I_2 .
- Next trigger (trig2) can be driven starting from I_0 .
- The address computation of trig2 is done at I_N .
- The optional increment and update of EBAR due to trig2 is done at I_{N+1} .
- If access #1 is a read access, the data can be read at the DSP core at:
 - I_{N+1} for SRAM
 - I_N for Fast DRAM mode
 - I_{N-1} for Slow DRAM mode

4.5.2 Read Data Transfer

When $ERTS = 0$, read accesses are triggered by writing an offset to the EOR. When $ERTS = 1$, read accesses are triggered by reading the EDRR. The word address for a read access is generated by subtracting the offset (stored in the EOR) from the base address (stored in one of the EBARx). After obtaining the word address, it is transformed into one or more physical addresses for the actual read accesses. A data word read can require one, two, three, four, or six memory accesses, as specified by the bits $EWL[1:0]$ and EBW . The nibbles or bytes read are held in the EDRB until the whole word is formed. After completing the required number of memory accesses, the data word formed in the EDRB is transferred to the EDRR, setting the EDRF status bit, if EDRR is empty. Optionally, the read interrupt can be generated if read interrupts are enabled. If another data-word-read transfer is pending and the EDRB is empty, the EMI controller executes the new memory transfer. If the DSP has read the data from the EDRR (clearing EDRF), the contents of the EDRB (if full) is transferred to the EDRR again, setting the EDRF status bit. If no other read request is pending, memory accesses cease. The EMI read interrupt can also be generated when both the EDRB and the EDRR are full. In this case, a single fast interrupt service with two MOVEP instructions can read two data words.

The memory read transfer starts only if the EDRB is empty. Data formed in the EDRB is transferred to the EDRR only if the EDRR is empty. This feature ensures synchronization between DSP reads of data and memory reads, even if the DSP is not emptying the EDRR in real time, as can happen while debugging via the OnCE port.

The EBARx can optionally be post-incremented by one after each read transfer. In this case, the incremented value will be available in the EBARx at the end of the first executed instruction after all memory read accesses have occurred for this particular memory-read transfer.

Example 4-2 Successive Memory-Read Transfers with ERTS = 0

The following procedure describes a sequence of successive memory-read transfers with ERTS = 0. This procedure utilizes the pipeline property for better performance.

```

movep    #RAM,X:<<ECSR           ; define memory access mode
movep    #BAR0,X:<<EBAR0         ; define base address
movep    #OFF_1,X:<<EOR0         ; trigger first memory read transfer
                                           ; (using EBAR0)
movep    #OFF_2,X:<<EOR0         ; initiate the second read transfer
                                           ; (pipelined)
                                           ; this will be pending until the
                                           ; previous transfer terminates
-                                               ; perform other operations
-                                               ; or poll EDRF for EDRR full
-                                               ; or wait a sufficient number of Icyc
                                           ; and then,
movep    X:<<EDRR0,X0            ; read the data delayed by OFF_1
movep    #OFF_3,X:<<EOR0         ; initiate the next memory read transfer
-                                               ; perform other operations
-                                               ; or poll EDRF for EDRR full
-                                               ; or wait a sufficient number of Icyc
                                           ; and then,
movep    X:<<EDRR0,X0            ; read the data delayed by OFF_2
movep    #OFF_4,X:<<EOR0         ; initiate the next memory read transfer
-                                               ; perform other operations
-                                               ; or poll EDRF for EDRR full
-                                               ; or wait a sufficient number of Icyc
                                           ; and then,
movep    X:<<EDRR0,X0            ; read the data delayed by OFF_3
-                                               ; perform other operations
-                                               ; or poll EDRF for EDRR full
-                                               ; or wait a sufficient number of Icyc
                                           ; and then,
movep    X:<<EDRR0,X0            ; read the data delayed by OFF_4

```

Example 4-3 Successive Memory-Read Transfers with ERTS = 1

The following procedure describes a sequence of successive memory-read transfers when ERTS = 1. This procedure utilizes the pipeline property for better performance. Note that the first two memory-read transfers are triggered by writing to the EOR (ERTS = 0) and then switching over to triggering by reading the EDRR (ERTS = 1). Since all subsequent read triggers are done by reading the EDRR, this method of triggering is most efficient when combined with post-increment of EBAR while keeping the offset constant.

```

movep    #RAM,X:<<ECSR      ; define access mode with ERTS = 0
movep    #BAR0,X:<<EBAR0    ; define base address
movep    #OFF_1,X:<<EOR0    ; trigger first read transfer
movep    #OFF_2,X:<<EOR0    ; initiate the second read transfer
                                ; (pipelined)
                                ; typically OFF_1 = OFF_2
bset     #ERTS,X:<<ECSR     ; change trigger mode: set ERTS = 1
-        ; perform other operations
-        ; or poll EDRF for EDRR full
-        ; or wait a sufficient number of Icy
-        ; and then,
movep    X:<<EDRR0,X0       ; read the data triggered by writing
-        ; OFF_1 perform other operations
-        ; or poll EDRF for EDRR full
-        ; or wait a sufficient number of Icy
-        ; and then,
movep    X:<<EDRR0,X0       ; read the data triggered by writing
-        ; OFF_2 perform other operations
-        ; or poll EDRF for EDRR full
-        ; or wait a sufficient number of Icy
-        ; and then,
movep    X:<<EDRR0,X0       ; read the data triggered by the first
-        ; EDRR read.
-        ; perform other operations
-        ; or poll EDRF for EDRR full
-        ; or wait a sufficient number of Icy
-        ; and then,
movep    X:<<EDRR0,X0       ; read the data triggered by the
-        ; second EDRR read
-        ; read EDRR as required
-        ; then when only two more reads
-        ; are required, turn-off
-        ; triggering from EDRR
bclr     #ERTS,X:<<ECSR     ; set ERTS=0 (turn off EDRR triggering)
-        ; perform other operations
-        ; or poll EDRF for EDRR full
-        ; or wait a sufficient number of Icy
-        ; and then,

```

Example 4-3 Successive Memory-Read Transfers with ERTS = 1 (Continued)

```

movep    X:<<EDRR0,X0          ; read the data triggered by
                                   ; the (n-3) EDRR read.
-        ; perform other operations
-        ; or poll EDRF for EDRR full
                                   ; or wait a sufficient number of Icyc
                                   ; and then,
movep    X:<<EDRR0,X0          ; read the data triggered by
                                   ; the (n-2) EDRR read

```

4.5.3 Write-Data Transfer

Write transfers are triggered by writing data into the EMI Data Write Register (EDWR). The word address for a write transfer is obtained by subtracting the contents of the EWOR from the contents of the EBARx (the contents of EOR is of no significance in a memory-write transfer). When new data is written into the EDWR, the EDWE status bit is cleared (data register full). The data is then transferred to the EDRB (if the EDRB is empty), setting EDWE. The EMI controller then performs a number of memory write cycles. A data-word-write transfer can require one, two, three, four, or six memory accesses, as specified by bits EWL[1:0] and EBW. The nibbles or bytes written are read from the EDRB until the whole word is stored. If EDWR is empty, the next data word to be written to memory can be stored in EDWR, triggering a pending (pipelined) write operation. A pending-write operation will proceed as soon as the EDRB is empty, permitting the transfer of the contents of EDWR to the buffer. The DSP programmer can interrogate the EDWE status bit or, optionally, the write interrupt can be generated when EDWE is set. Alternatively, the DSP programmer can choose to write to EDWR after a minimum number of instruction cycles such that EDWR can be guaranteed to be empty.

A memory-write transfer only starts when the EDRB is full (loaded with the data to be stored to memory). Data is only transferred from EDWR to the EDRB if the buffer is empty. This feature ensures synchronization between memory writes and DSP writes, as long as the DSP ensures that writes to EDWR occur only if EDWR is empty.

Example 4-4 Successive Memory-Write Transfers

The following procedure describes a sequence of successive memory-write transfers. This procedure utilizes the pipeline property for better performance. Note that EBARx should either be post-incremented by one after each write or a new base address should be stored in EBARx before the write trigger, otherwise the same word address (and the same physical addresses) will be written.

```

movep    #RAM,X:<<ECSR      ; define the memory transfer mode
movep    #OFF,X:<<EWOR      ; store address offset to be used
movep    #BAR0,X:<<EBAR0    ; store base address
movep    #DATA_1,X:<<EDWR0  ; trigger first memory write transfer
movep    #DATA_2,X:<<EDWR0  ; trigger the second write transfer
                                ; (pipelined)
                                ; this will be pending until the
                                ; previous transfer terminates
-        ; perform other operations
-        ; or poll EDWE for EDWR empty
-        ; or wait a sufficient number of Icy
                                ; and then,
movep    #DATA_3,X:<<EDWR0  ; trigger the next memory write
-        ; transfer perform other operations
-        ; or poll EDWE for EDWR empty
-        ; or wait a sufficient number of Icy
                                ; and then,
movep    #DATA_4,X:<<EDWR0  ; trigger the next memory write
                                ; transfer

```

Example 4-5 Block Transfer from Internal to External Memory

The following procedure performs a block-data transfer of N words ($N > 1$) from internal DSP memory to external memory, without checking status flags or using interrupts. Using this method, it is necessary to know how much time is taken by each memory access. For this particular example, it is assumed that the EMI is accessing an external SRAM with zero wait states, transferring 24-bit words over an 8-bit bus, resulting in 12 clock cycles (6 instruction cycles) per word transfer.

```

wr_transfer
move    #w_buff,r7          ; pointer to internal memory
movep   #w_off,x:EWOR       ; write offset
movep   #w_base,x:EBAR0     ; write base address
movep   #RAM,x:ECSR         ; EINW = 1
movep   y:(r7)+,x:EDWR0     ; first write
do      #(N-1),end_w        ; N>1
movep   y:(r7)+,x:EDWR0     ; initiate next write
rep     #2                  ; wait 8 clock cycles
                                ; (4 inst cycles)
nop                                           ; or do something useful
end_w

```

4.5.4 EMI Operation During Stop

The EMI operation cannot continue when the DSP is in the Stop state, since no DSP clocks are active. Note that DRAM refresh cycles are suspended, effectively causing the loss of data in the DRAMs. While the DSP is in the Stop state, the EMI will remain in the individual reset state and the status bits in ECSR will be cleared. No control bits in the ECSR and ERCRs are affected.

4.5.5 EMI Operation During Wait

The EMI will continue operating even if the DSP is in the Wait state. Ongoing and pending EMI accesses will complete normally. Then, the EMI will remain in the Idle state until more read- or write-access triggers arrive from the DSP core, after the device exits the Wait state. No control or status bits in the ECSR and ERCR are affected by the Wait state.

4.6 DATA-DELAY STRUCTURE

Delayed data structures, commonly used in audio DSP algorithms, can be implemented by means of data-delay buffers in memory. A data-delay buffer is a bank of memory in which data samples are stored in a sequential manner and where a relationship exists between time delay and memory location. The longest delay for a given data sequence corresponds to the length of the data-delay buffer (the size of the memory bank). Data-delay buffers of any length, within the available memory range, are supported by the EMI.

A memory buffer for delayed data is defined in terms of a base address and a collection of offset values (the taps). Data-delay buffers are implemented in the EMI by means of “windows” that move over all the memory address range. The base address points to the latest stored (newest) data sample, and offset values are subtracted from the base address to generate addresses that point to delayed data samples. The amount of the delay is defined by the offset value. Normally, the base address of each data-delay buffer is incremented every time a new data sample is stored and this causes the window to move one position ahead in the range of physical memory addresses. The data-delay structure is illustrated in **Figure 4-9**.

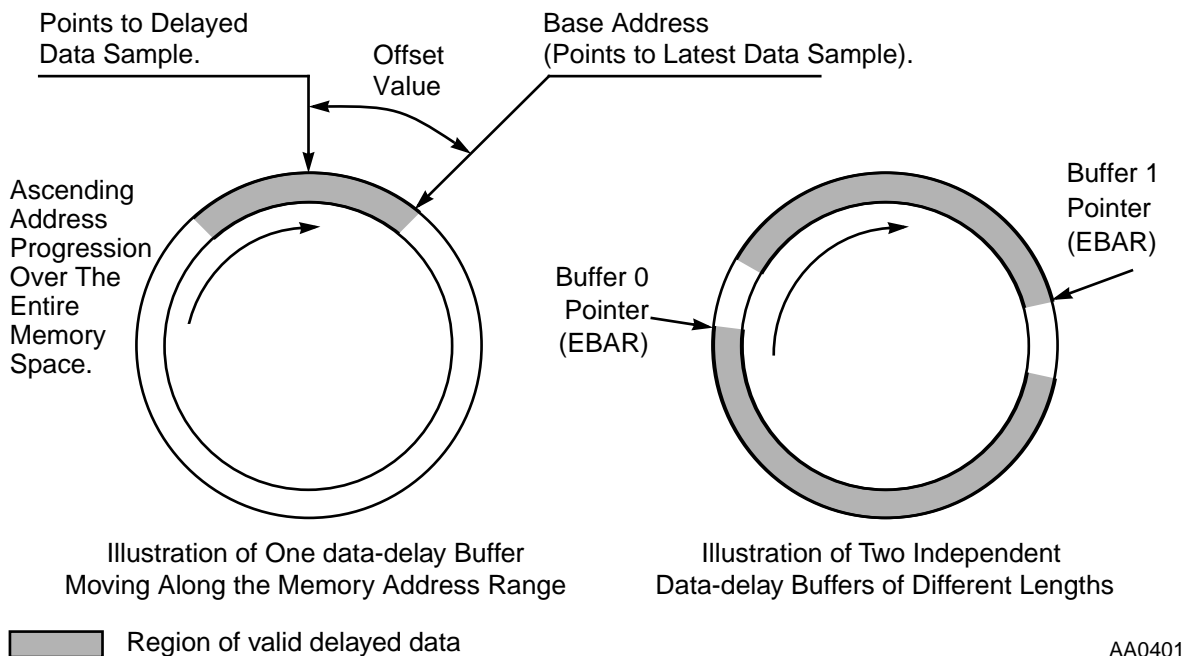


Figure 4-9 Illustration of the Data-Delay Structure

The EMI architecture is capable of managing several concurrent data-delay processes. Each data-delay buffer is defined by its own base address. Multiple data-delay buffers can be implemented by saving and restoring the contents of the EBARx as required. The maximum delay required in a data sequence implicitly determines the data-delay buffer length. Two restrictions must be considered:

- The programmer must define non-overlapping initial memory regions for the data-delay buffers within the available memory address range.
- The data-delay buffers must be updated at the same speed; that is, new data samples are stored at the same rate in all buffers. This ensures that no data-delay buffer will overwrite the data of another buffer.

Normally, the DSP programmer determines the base address values arbitrarily such that non-overlapped buffers are guaranteed. This is done in the initialization stage only. Afterwards, the programmer need not be concerned with the base address value.

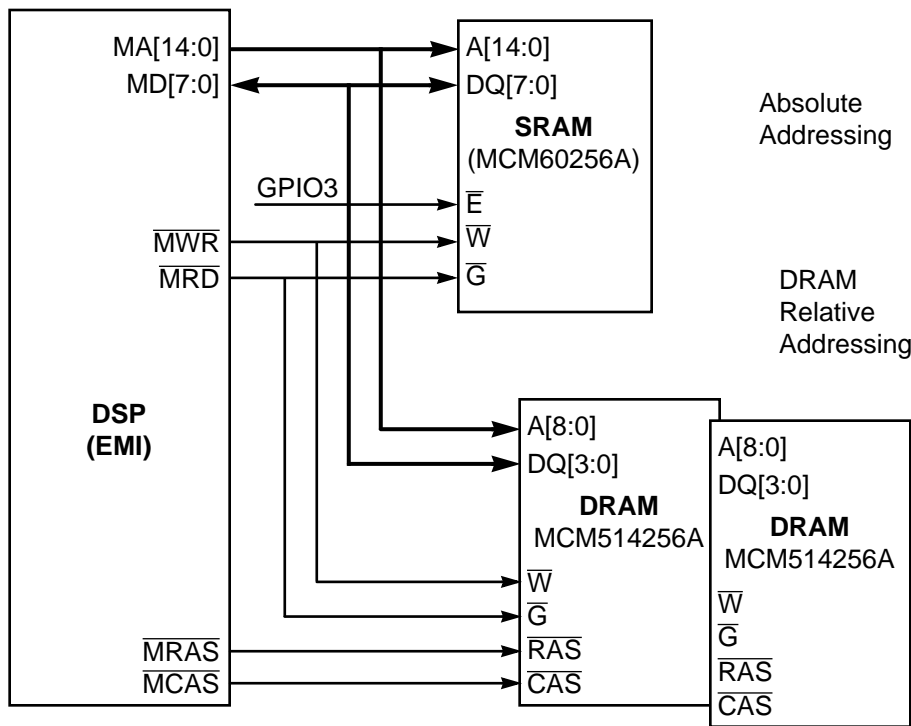
To summarize, the data-delay buffer is normally handled, in the steady state (after initialization and buffer-filling stage), as follows:

- Upon receiving a new data sample, the data sample is temporarily saved in an internal memory location. It might be used in many audio algorithms as the most recent data sample.
- Any number of random-delayed samples are read from the specific buffer in the external memory by requesting read operations with different offset values while EBARx is loaded with the base address for the specific data buffer. This operation is accomplished by writing the desired offset values to the EOR, triggering the read operation. The contents of EBARx should be kept constant during the read operations; that is, keep $EINR = 0$ in the ECSR.
- The most recent data sample (temporarily held in an internal memory location) is stored to the specified data buffer in the external memory by writing the data word to the Data Write Register when EINW (in the ECSR) is set. In this way the new sample is stored in the external memory data buffer while EBARx is incremented, preparing the base address for the next sample.
- The contents of EBARx should now be saved to an internal memory location to be used in future accesses to this data-delay buffer.

4.7 EMI-TO-MEMORY CONNECTION

The EMI can be easily interfaced directly to both SRAM and DRAM devices via its external pins. No interface logic is required. Usually the hardware designer will connect DRAM or SRAM to the EMI to implement data buffers that will be accessed using the Relative Addressing modes. It is possible to concurrently connect an additional static memory device if one of the GPIO pins or another external source is used as device select for the device and if the device is accessed using the Absolute Addressing mode. The Absolute Addressing mode is useful for program bootstrap or overlays.

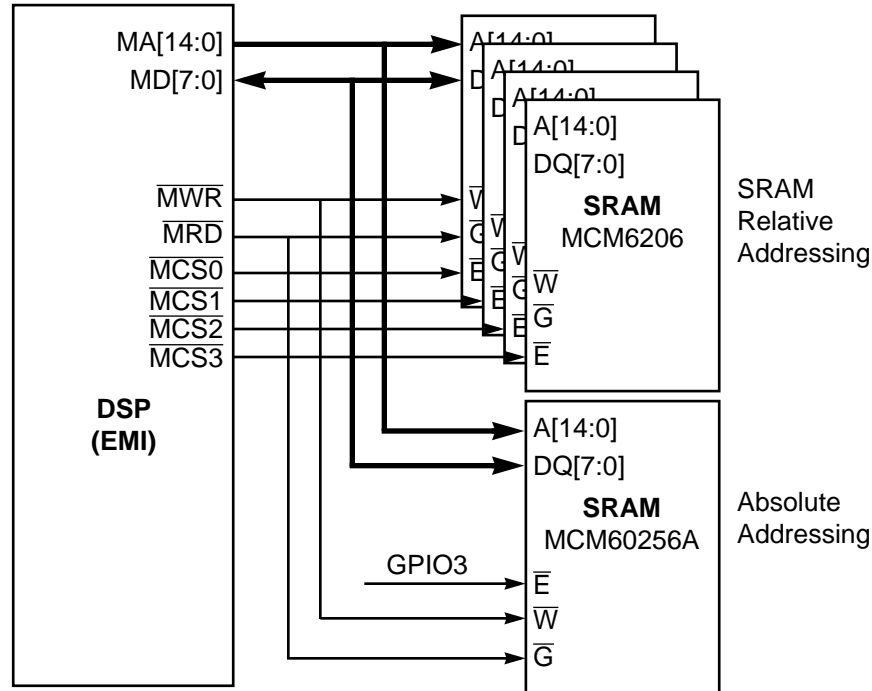
Figure 4-10 shows how to connect two 256 K × 4 DRAM devices for the data buffers and an SRAM for program bootstrap or overlays.



AA0260k

Figure 4-10 DRAM for Data Delay Buffers and for SRAM for Bootstrap

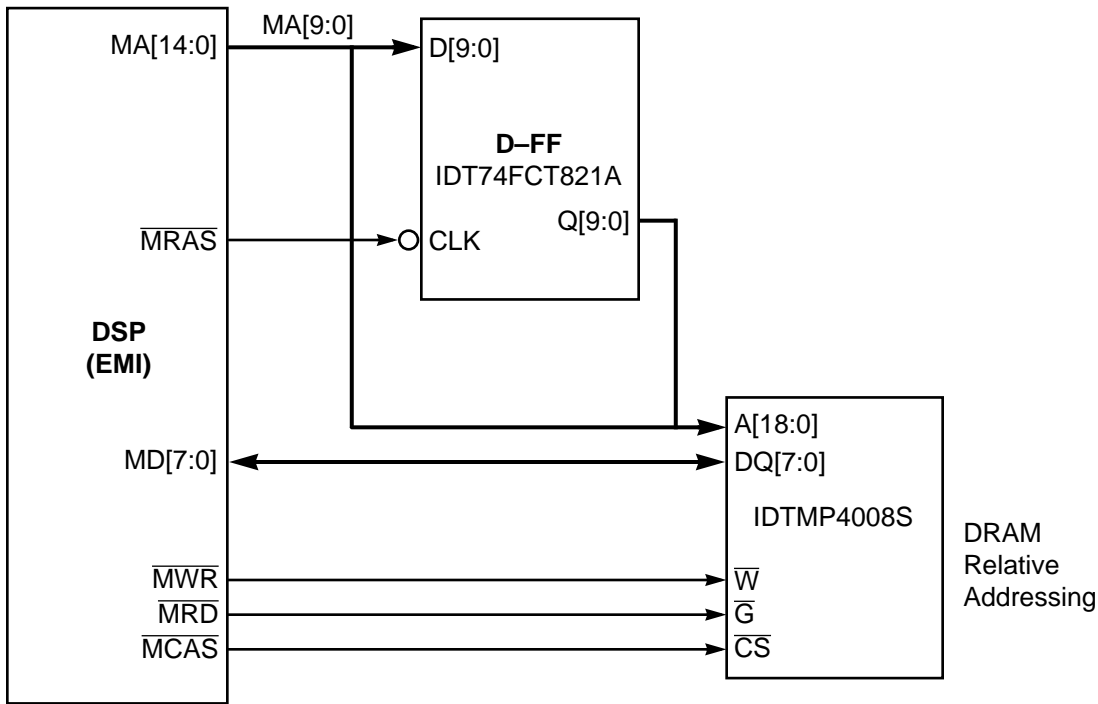
Figure 4-11 shows how to connect four 32 K × 8 SRAM devices for the data buffers and an SRAM for program bootstrap or overlays. For applications requiring SRAM devices for implementation of the data-delay buffers (e.g., for noise considerations) and requiring addressing of more than 256 K × 8 physical locations, it is possible to use the DRAM Addressing modes with a large array of SRAM devices. An external latch must be used to demultiplex the row and column addresses and in this way to obtain the SRAM address.



AA0261k

Figure 4-11 SRAM for Data Delay Buffers and for Bootstrap

Figure 4-12 shows how to connect a 512 K × 8 SRAM to the EMI.



AA0262k

Figure 4-12 Replacing DRAMs with SRAMs for Large Arrays

4.8 EMI TIMING

Table 4-20 shows the maximum DSP clock frequencies while using typical DRAM devices:

Table 4-20 Maximum DSP Clock Frequencies When Using DRAM

| DRAM | Max Freq | EDTM |
|-----------------|----------|------|
| MCM54400A—60 ns | 66 MHz | 0 |
| | 81 MHz | 1 |
| MCM54400A—70 ns | 50 MHz | 0 |
| | 81 MHz | 1 |

Table 4-21 shows the maximum DSP clock frequencies while using typical SRAM devices):

Table 4-21 Maximum DSP Clock Frequencies When Using SRAM

| SRAM | Max Freq | ESTM[3:0] |
|---------------|----------|-----------|
| MCM6226—25 ns | 81 MHz | 0000 |
| MCM6206—35 ns | 66 MHz | 0000 |

Table 4-22 shows the maximum DSP clock frequencies while using typical EPROMs using the absolute addressing SRAM mode devices:

Table 4-22 Maximum DSP Clock Frequencies When Using EPROM

| EPROM | Max Freq | ESTM[3:0] |
|-----------------|----------|-----------|
| WS57C256—35 ns | 66 MHz | 0000 |
| WS57C256—70 ns | 50 MHz | 0000 |
| WS57C256—90 ns | 50 MHz | 0001 |
| WS57C256—120 ns | 46 MHz | 0010 |

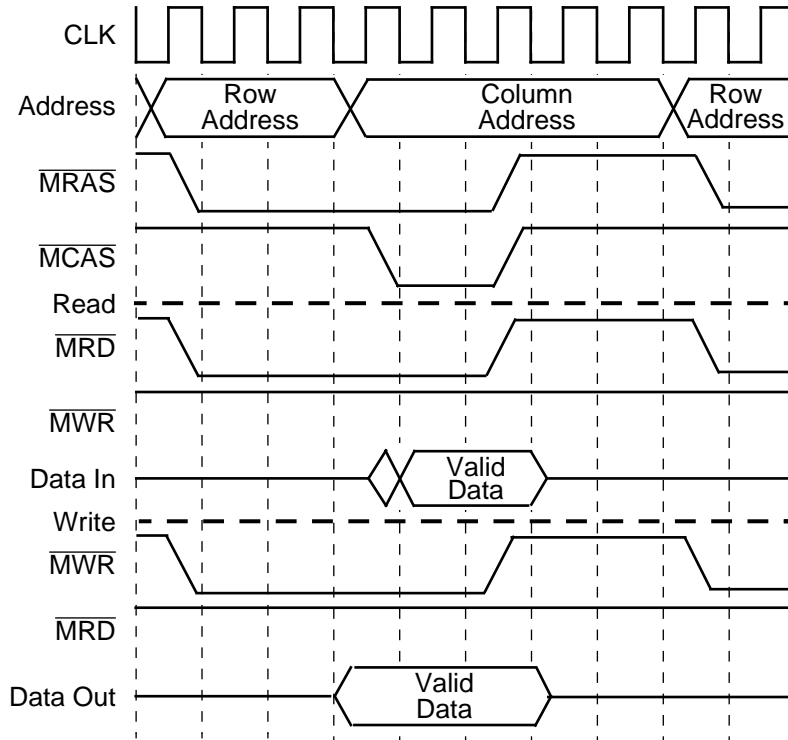
4.8.1 Timing Diagrams for DRAM Addressing Modes

When operating in the DRAM modes, the timing is defined by the ECSR EDTM bit. The timing is classified as Fast (EDTM = 0) or Slow (EDTM = 1).

4.8.1.1 Fast Timing Mode

Figure 4-13 shows the Absolute Addressing mode timing for an 8-bit word/8-bit bus memory access or physical memory access. The numbers in the table are memory-access clock cycles and correspond to clock cycles of the timing figure directly below. Data accesses are left-justified such that the 8-bit word is read from and written into the upper-most byte of the 24-bit word (bits 23–16).

| 8-bit word/8-bit bus—Relative Addressing, or each physical access in the Absolute Addressing modes | | | | | | | | | |
|--|---|---|---|---|---|---|---|---|-----|
| Set up row address | 1 | 2 | 3 | | | | | | |
| R/ \bar{W} Bits 23–16 | | | | 4 | 5 | 6 | | | |
| Finish last R/ \bar{W} cycle | | | | | | | 7 | 8 | |
| Start new memory cycle | | | | | | | | | 1 2 |



AA0403

Figure 4-13 Fast Read or Write DRAM Access Timing—1

Figure 4-14 shows the timing using Relative Addressing mode for a 16-bit word/8-bit bus memory access or an 8-bit word/4-bit bus memory access. The numbers in the table are memory access clock cycles and correspond to clock cycles of the timing figure directly below. Data accesses are left-justified such that the 16-bit word is read from and written into the upper-most two bytes of the 24-bit word (bits 23–8). Data is transferred one byte at a time for 16-bit words or four bits at a time for 8-bit words.

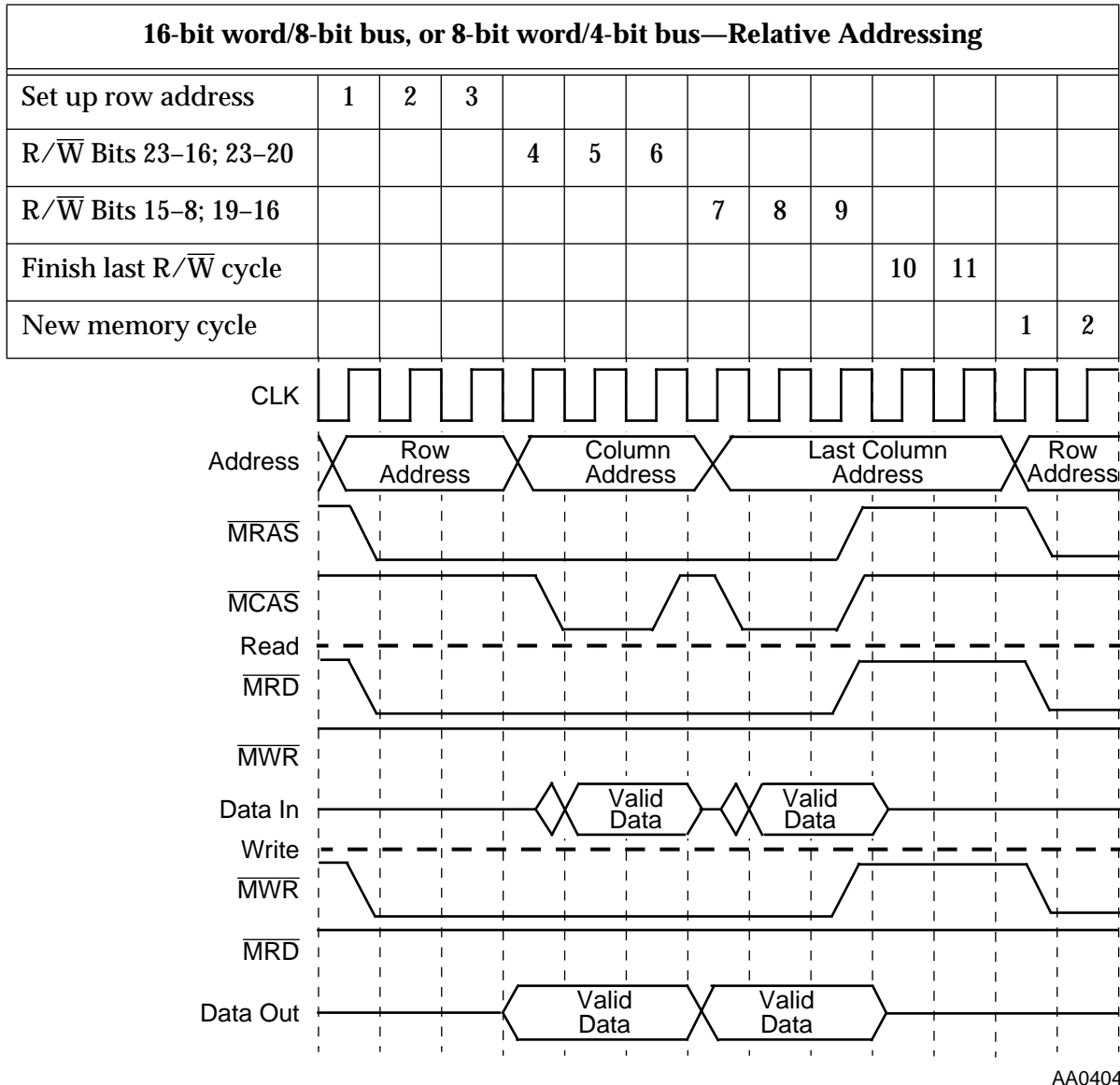
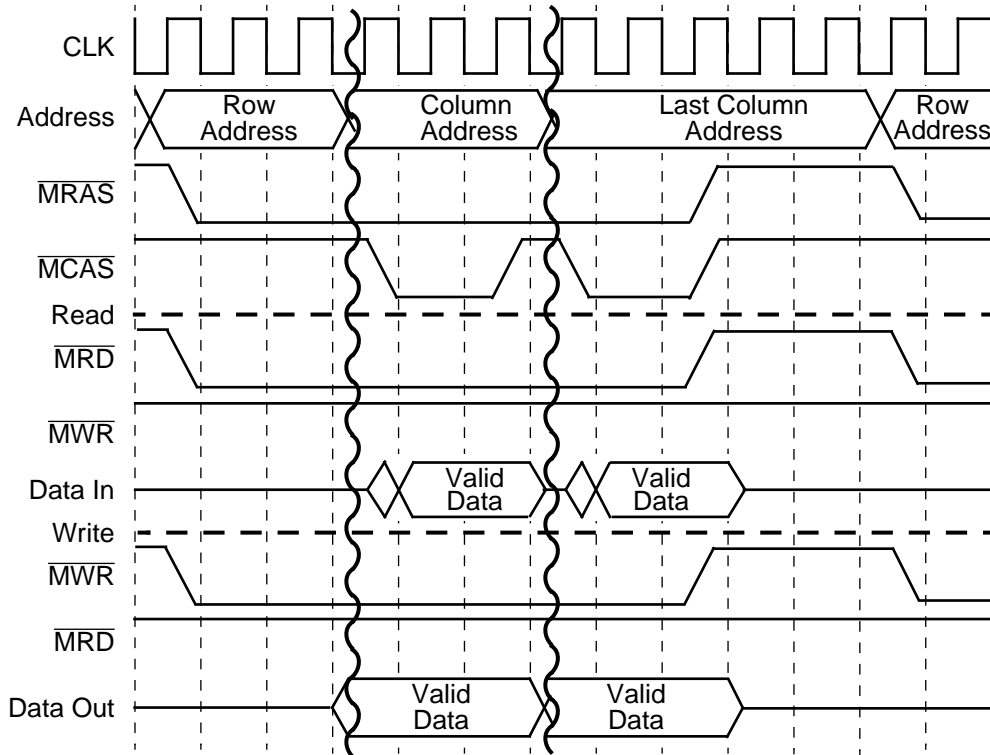


Figure 4-14 Fast Read or Write DRAM Access Timing—2

Figure 4-15 shows the timing using Relative Addressing mode for a 16-bit word/4-bit bus memory access. The numbers in the table are memory-access clock cycles and correspond to clock cycles of the timing figure directly below. Data accesses are left-justified such that the 16-bit word is read from and written into the upper-most two bytes of the 24-bit word (bits 23–8).

| 16-bit word/4-bit bus—Relative Addressing | | | | | | | | | | | | |
|---|---|---|---|----|----|----|----|----|----|----|----|---|
| Set up row address | 1 | 2 | 3 | | | | | | | | | |
| R/ \bar{W} Bits 23–16 | | | | 4 | 5 | 6 | | | | | | |
| R/ \bar{W} Bits 19–16 | | | | 7 | 8 | 9 | | | | | | |
| R/ \bar{W} Bits 15–12 | | | | 10 | 11 | 12 | | | | | | |
| R/ \bar{W} Bits 11–8 | | | | | | | 13 | 14 | 15 | | | |
| Finish last R/ \bar{W} cycle | | | | | | | | | | 16 | 17 | |
| New memory cycle | | | | | | | | | | | 1 | 2 |

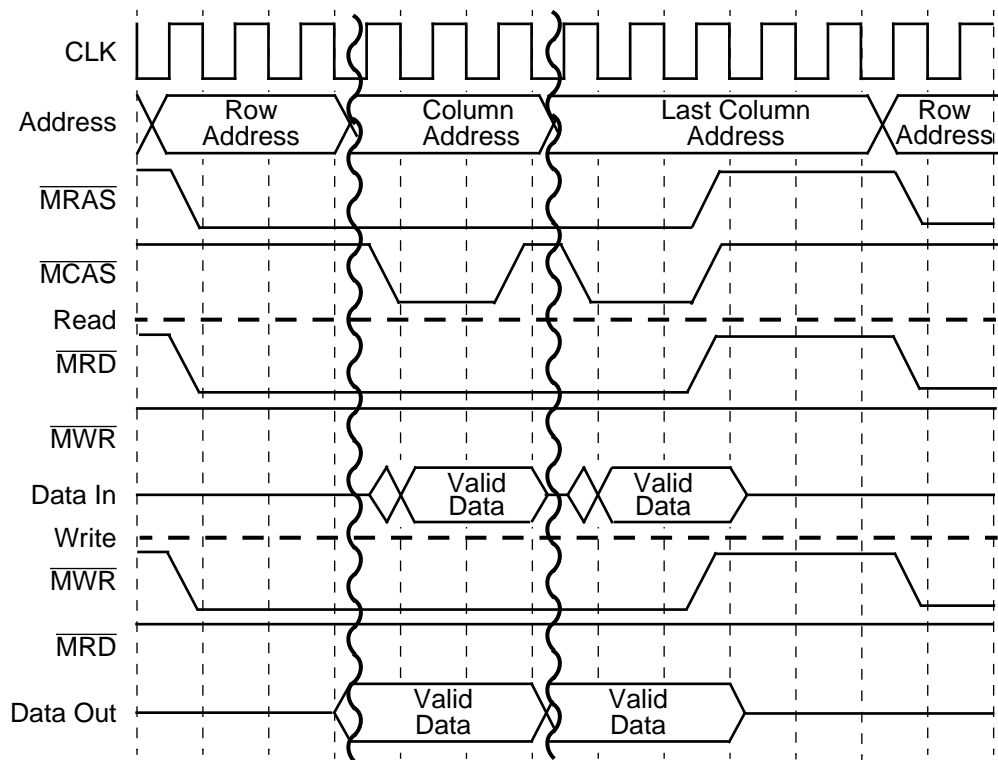


AA0405

Figure 4-15 Fast Read or Write DRAM Access Timing—3

Figure 4-16 shows the timing using Relative Addressing mode for a 20-bit word/8-bit bus memory access, 24-bit word/8-bit bus memory access, or 12-bit word/4-bit bus memory access. The numbers in the table are memory-access clock cycles and correspond to clock cycles of the timing figure directly below. Data accesses are left-justified such that the 20-bit, 24-bit, or 12-bit word is read from and written into the upper-most 20, 24, or 12 bits of the 24-bit word. Data is transferred one byte at a time for 16- and 20-bit words or four bits at a time for 12-bit words.

| 20-bit or 24-bit word/8-bit bus, or 12-bit word/4-bit bus—Relative Addressing | | | | | | | | | | | | | | |
|---|---|---|---|---|---|---|----|----|----|----|----|---|---|--|
| Set up row address | 1 | 2 | 3 | | | | | | | | | | | |
| R/ \bar{W} Bits 23–16 | | | | 4 | 5 | 6 | | | | | | | | |
| R/ \bar{W} Bits 15–8 | | | | 7 | 8 | 9 | | | | | | | | |
| R/ \bar{W} Bits 7–4/0 | | | | | | | 10 | 11 | 12 | | | | | |
| Finish last R/ \bar{W} cycle | | | | | | | | | | 13 | 14 | | | |
| New memory cycle | | | | | | | | | | | | 1 | 2 | |



AA0406

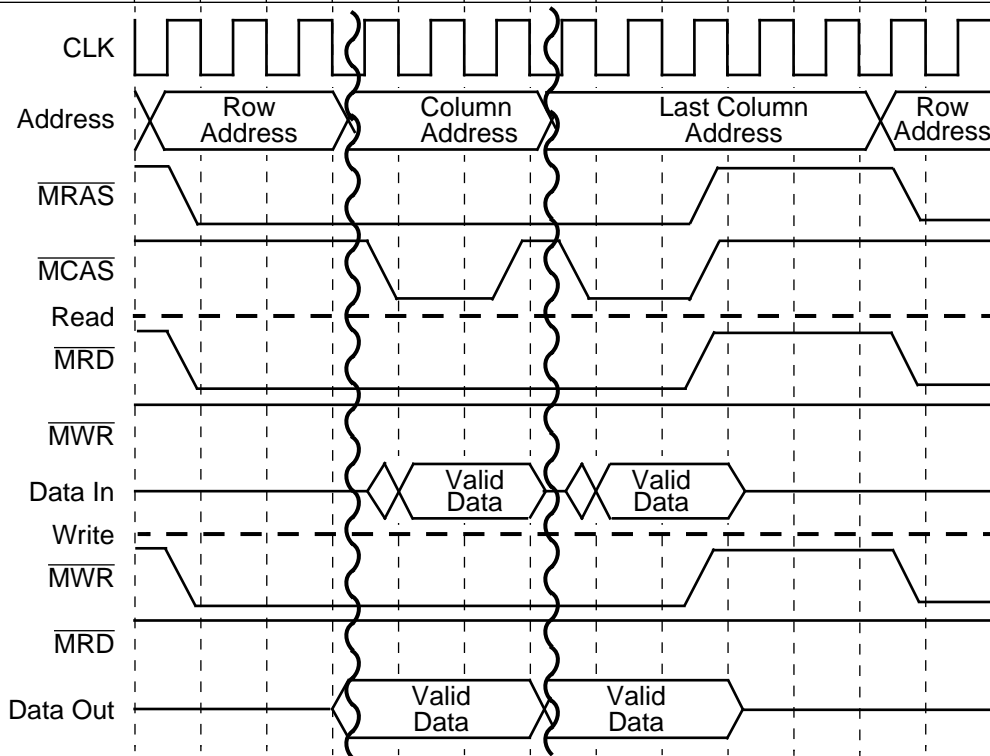
Figure 4-16 Fast Read or Write DRAM Access Timing—4

External Memory Interface

EMI Timing

Figure 4-17 shows the timing using Relative Addressing mode for a 20-bit word/4-bit bus memory access. The numbers in the table are memory-access clock cycles and correspond to clock cycles of the timing figure directly below. Data accesses are left-justified such that the 20-bit word is read from and written into the upper-most portion of the 24-bit word (bits 23–4).

| 20-bit word/4-bit bus—Relative Addressing | | | | | | | | | | | | | |
|---|---|---|---|----|----|----|----|----|----|----|----|---|---|
| Set up row address | 1 | 2 | 3 | | | | | | | | | | |
| R/ \overline{W} Bits 23–20 | | | | 4 | 5 | 6 | | | | | | | |
| R/ \overline{W} Bits 19–16 | | | | 7 | 8 | 9 | | | | | | | |
| R/ \overline{W} Bits 15–12 | | | | 10 | 11 | 12 | | | | | | | |
| R/ \overline{W} Bits 11–8 | | | | 13 | 14 | 15 | | | | | | | |
| R/ \overline{W} Bits 7–4 | | | | | | | 16 | 17 | 18 | | | | |
| Finish last R/ \overline{W} cycle | | | | | | | | | | 19 | 20 | | |
| New memory cycle | | | | | | | | | | | | 1 | 2 |

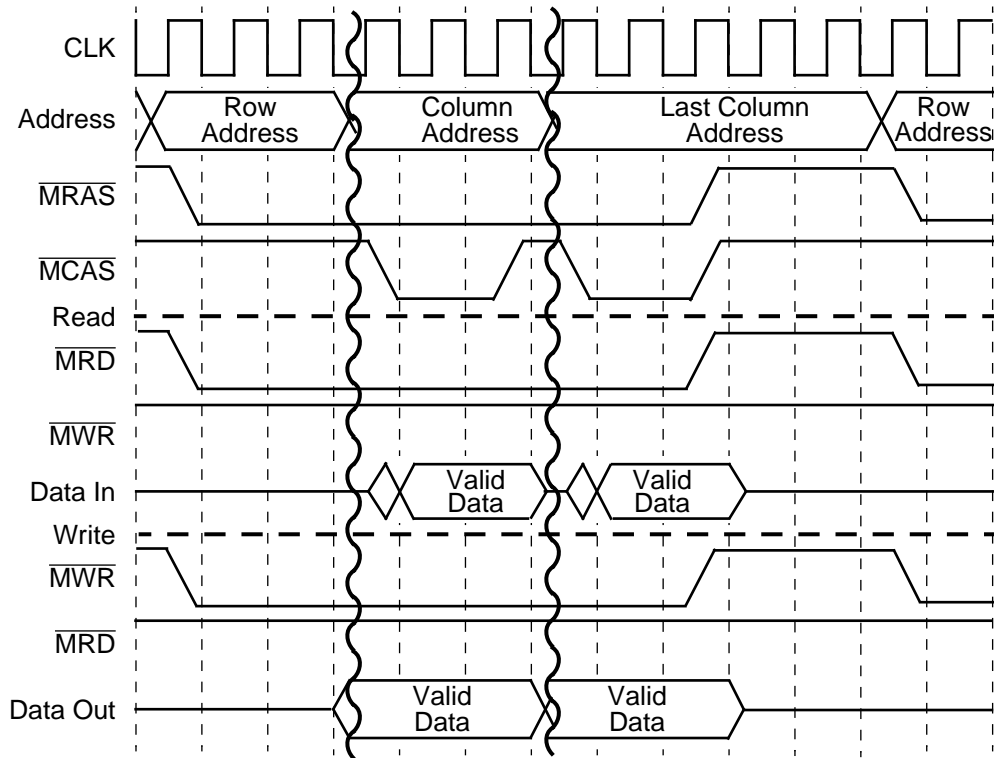


AA0407

Figure 4-17 Fast Read or Write DRAM Access Timing—5

Figure 4-18 shows the timing using Relative Addressing mode for a 24-bit word/4-bit bus memory access. The numbers in the table are memory-access clock cycles and correspond to clock cycles of the timing figure directly below.

| 24-bit word/4-bit bus—Relative Addressing | | | | | | | | | | | | | |
|---|---|---|---|----|----|----|----|----|----|----|----|---|---|
| Set up row address | 1 | 2 | 3 | | | | | | | | | | |
| R/ \overline{W} Bits 23–20 | | | | 4 | 5 | 6 | | | | | | | |
| R/ \overline{W} Bits 19–16 | | | | 7 | 8 | 9 | | | | | | | |
| R/ \overline{W} Bits 15–12 | | | | 10 | 11 | 12 | | | | | | | |
| R/ \overline{W} Bits 11–8 | | | | 13 | 14 | 15 | | | | | | | |
| R/ \overline{W} Bits 7–4 | | | | 16 | 17 | 18 | | | | | | | |
| R/ \overline{W} Bits 3–0 | | | | | | | 19 | 20 | 21 | | | | |
| Finish last R/ \overline{W} cycle | | | | | | | | | | 22 | 23 | | |
| New memory cycle | | | | | | | | | | | | 1 | 2 |

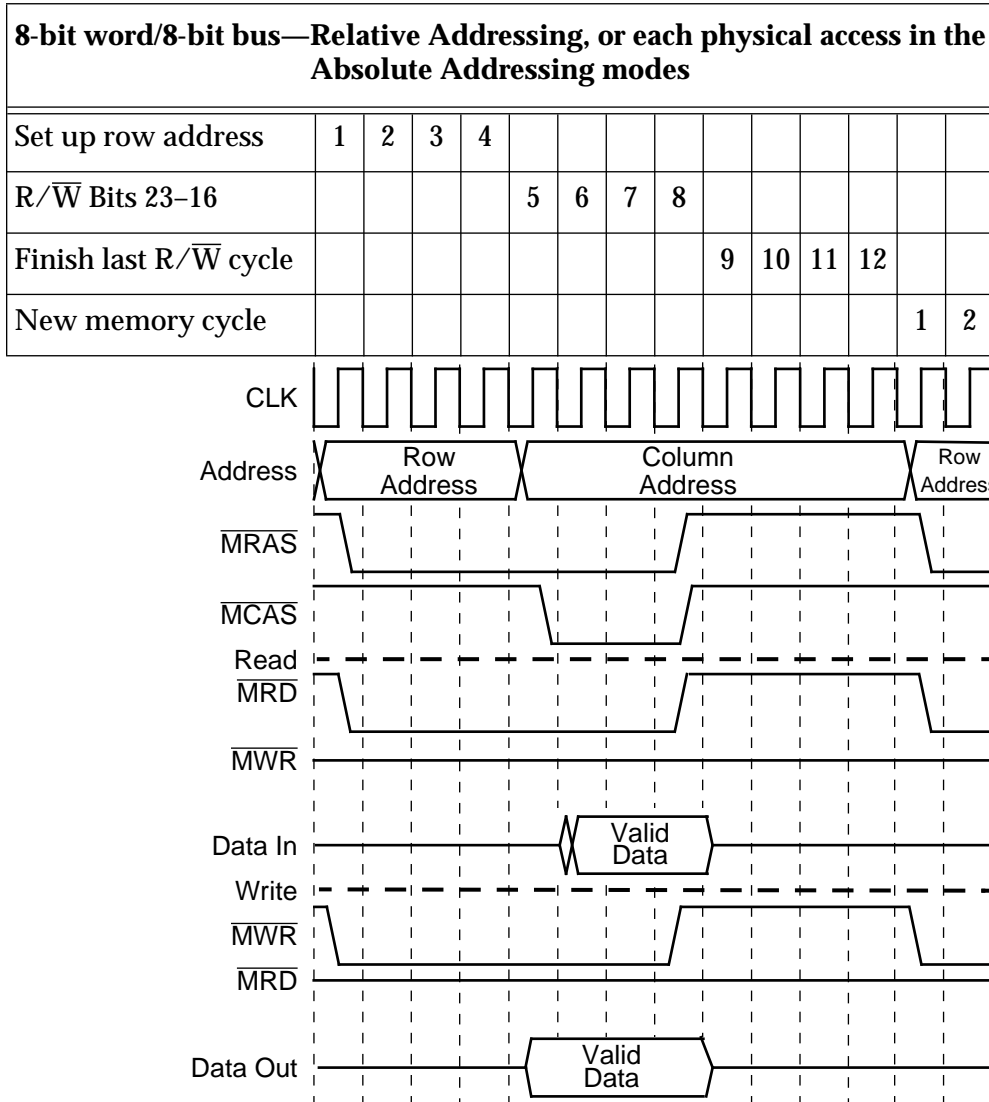


AA0408

Figure 4-18 Fast Read or Write DRAM Access Timing—6

4.8.1.2 Slow Timing Mode

Figure 4-19 shows the Absolute Addressing mode timing for an 8-bit word/8-bit bus memory access or physical memory access. The numbers in the table are memory-access clock cycles and correspond to clock cycles of the timing figure directly below. Data accesses are left-justified such that the 8-bit word is read from and written into the upper-most byte of the 24-bit word (bits 23–16).

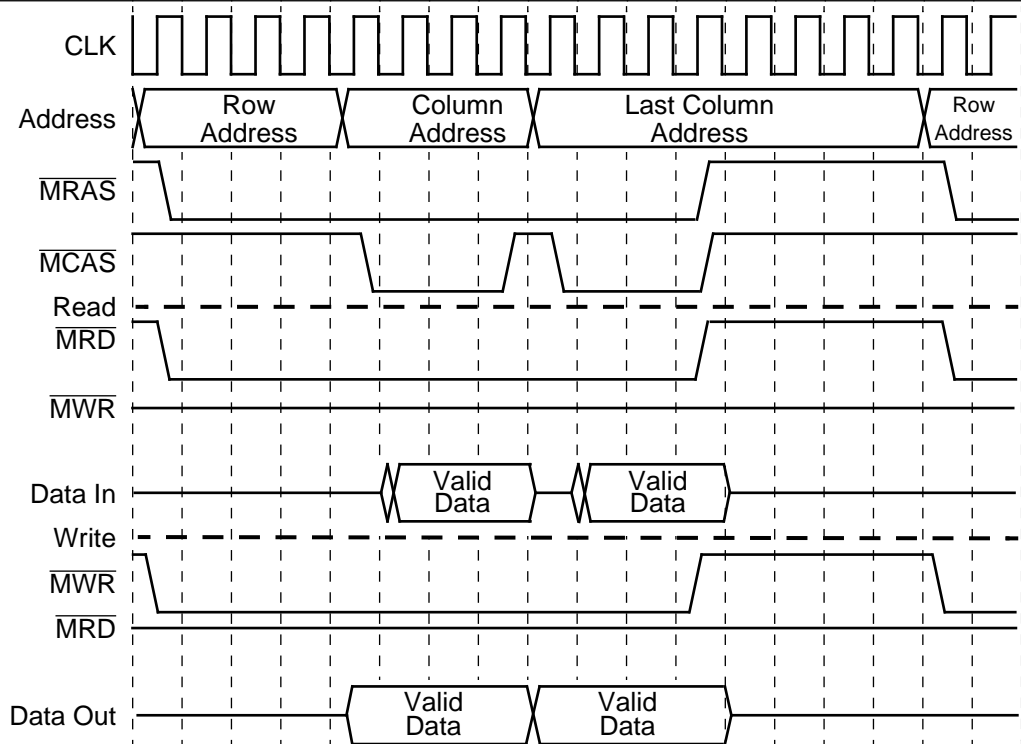


AA0409

Figure 4-19 Slow Read or Write DRAM Access Timing—1

Figure 4-20 shows the timing using Relative Addressing mode for a 16-bit word/8-bit bus memory access or 8-bit word/4-bit bus memory access. The numbers in the table are memory access clock cycles and correspond to clock cycles of the timing figure directly below. Data accesses are left justified such that the 16-bit word is read from and written into the upper-most two bytes of the 24-bit word (bits 23–8). Data is transferred one byte at a time for 16-bit words or four bits at time for 8-bit words.

| 16-bit word/8-bit bus, or 8 bit word/4-bit bus—Relative Addressing | | | | | | | | | | | | | | | | | |
|--|---|---|---|---|---|---|---|---|---|----|----|----|----|----|----|----|---|
| Set up row address | 1 | 2 | 3 | 4 | | | | | | | | | | | | | |
| R/ \overline{W} bits 23–16; 23–20 | | | | | 5 | 6 | 7 | 8 | | | | | | | | | |
| R/ \overline{W} bits 15–8; 19–16 | | | | | | | | | 9 | 10 | 11 | 12 | | | | | |
| Finish last R/ \overline{W} cycle | | | | | | | | | | | | | 13 | 14 | 15 | 16 | |
| New memory cycle | | | | | | | | | | | | | | | | 1 | 2 |



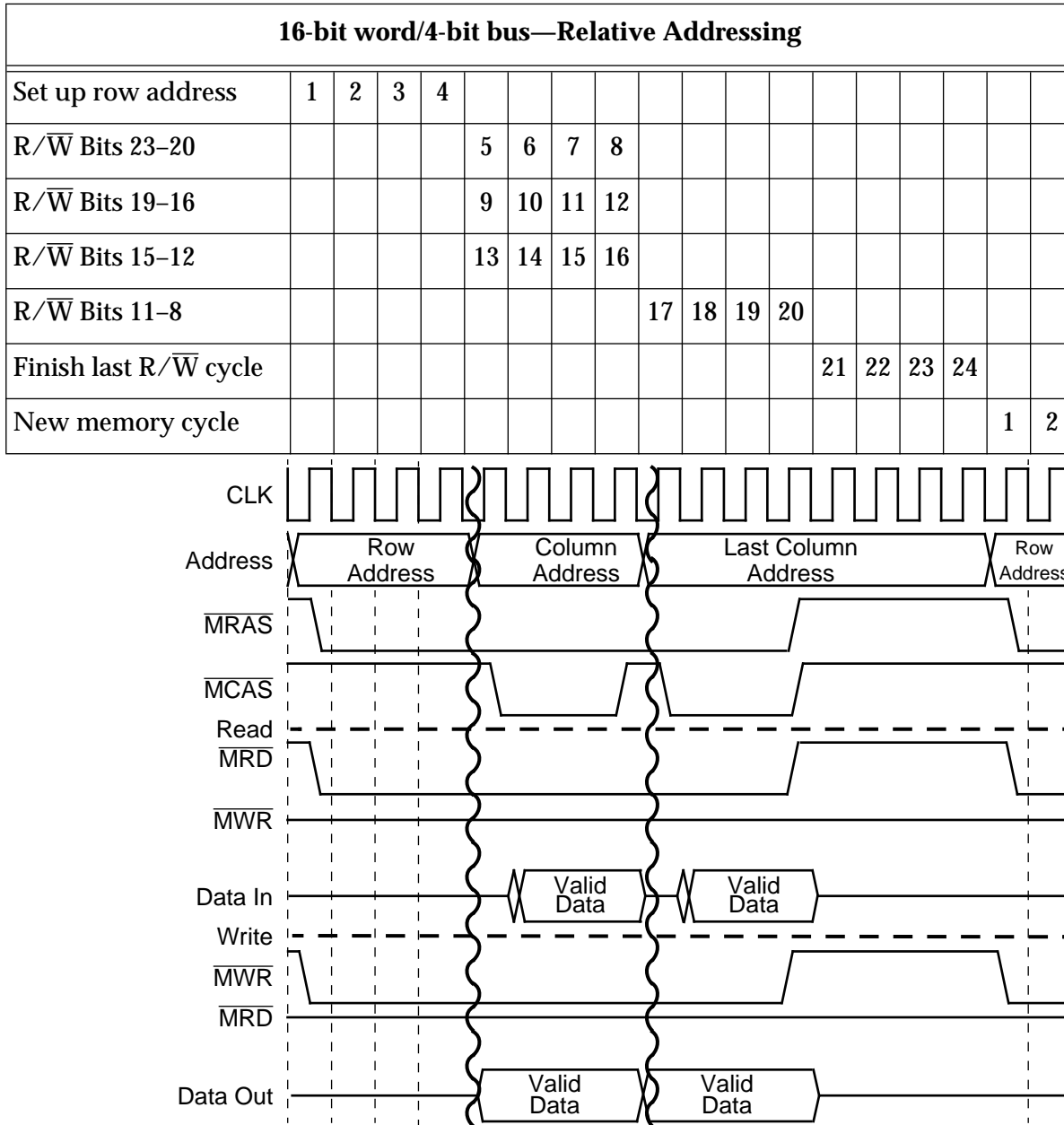
AA0410

Figure 4-20 Slow Read or Write DRAM Access Timing—2

External Memory Interface

EMI Timing

Figure 4-21 shows the timing using Relative Addressing mode for a 16-bit word/4-bit bus memory access. The numbers in the table are memory access clock cycles and correspond to clock cycles of the timing figure directly below. Data accesses are left justified such that the 16-bit word is read from and written into the upper-most two bytes of the 24-bit word (bits 23–8).



AA0411

Figure 4-21 Slow Read or Write DRAM Access Timing—3

Freescale Semiconductor, Inc.

Figure 4-22 shows the timing using Relative Addressing mode for an 20-bit word/8-bit bus memory access, 24-bit word/8-bit bus memory access, or 12-bit word/4-bit bus memory access. The numbers in the table are memory access clock cycles and correspond to clock cycles of the timing figure directly below. Data accesses are left justified such that the 20-bit, 24-bit, or 12-bit word is read from and written into the upper-most 20-bits, 24-bits, or 12-bits of the 24-bit word. Data is transferred one byte at a time for 16-bit and 12-bit words or four bits at time for 12-bit words.

| 20-bit or 24-bit word/8-bit bus, or 12-bit word/4-bit bus—Relative Addressing | | | | | | | | | | | | | | | | | | | |
|---|---|---|---|---|---|----|----|----|--|----|----|----|----|----|----|----|----|---|---|
| Set up row address | 1 | 2 | 3 | 4 | | | | | | | | | | | | | | | |
| R/ \bar{W} Bits 23–16; 23–20 | | | | | 5 | 6 | 7 | 8 | | | | | | | | | | | |
| R/ \bar{W} Bits 15–8; 19–16 | | | | | 9 | 10 | 11 | 12 | | | | | | | | | | | |
| R/ \bar{W} Bits 7–4/0; 15–12 | | | | | | | | | | 13 | 14 | 15 | 16 | | | | | | |
| Finish last R/ \bar{W} cycle | | | | | | | | | | | | | | 17 | 18 | 19 | 20 | | |
| New memory cycle | | | | | | | | | | | | | | | | | | 1 | 2 |

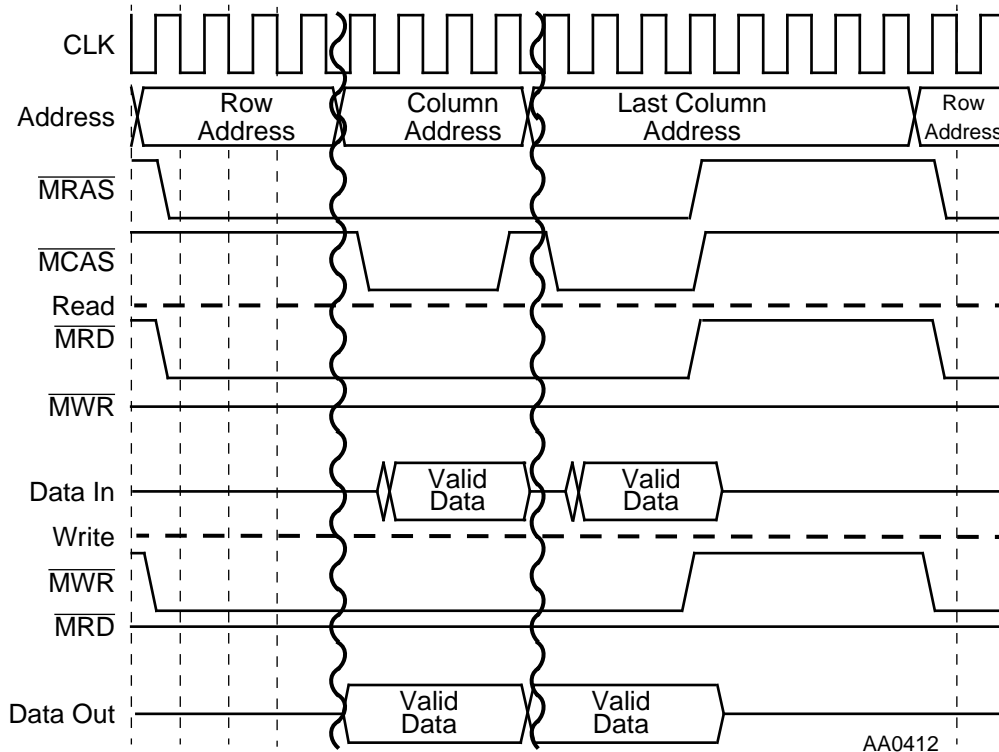
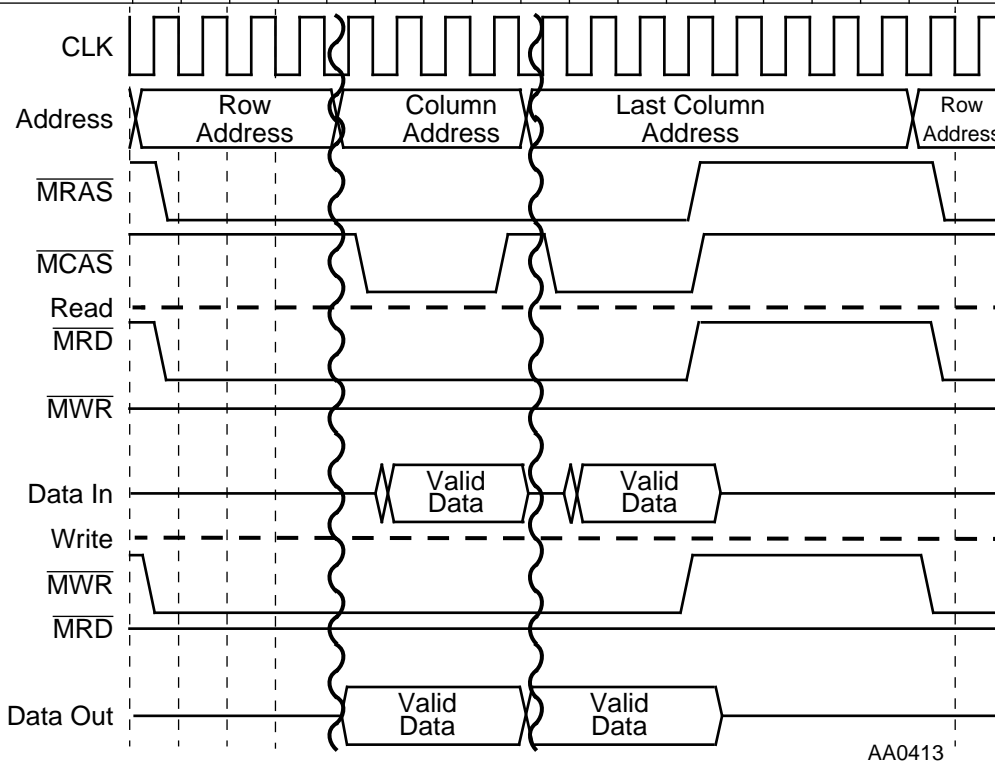


Figure 4-22 Slow Read or Write DRAM Access Timing—4

Figure 4-23 shows the timing using Relative Addressing mode for a 20-bit word/4-bit bus memory access. The numbers in the table are memory access clock cycles and correspond to clock cycles of the timing figure directly below. Data accesses are left justified such that the 20-bit word is read from and written into the upper-most portion of the 24-bit word (bits 23–4).

| 20-bit word/4-bit bus—Relative Addressing | | | | | | | | | | | | | | | | | | | | | | | | | | | | |
|---|---|---|---|---|----|----|----|----|----|----|----|----|----|----|----|----|--|--|--|--|---|---|--|--|--|--|--|--|
| Set up row address | 1 | 2 | 3 | 4 | | | | | | | | | | | | | | | | | | | | | | | | |
| R/ \bar{W} Bits 23–20 | | | | | 5 | 6 | 7 | 8 | | | | | | | | | | | | | | | | | | | | |
| R/ \bar{W} Bits 19–16 | | | | | 9 | 10 | 11 | 12 | | | | | | | | | | | | | | | | | | | | |
| R/ \bar{W} Bits 15–12 | | | | | 13 | 14 | 15 | 16 | | | | | | | | | | | | | | | | | | | | |
| R/ \bar{W} Bits 11–8 | | | | | 17 | 18 | 19 | 20 | | | | | | | | | | | | | | | | | | | | |
| R/ \bar{W} Bits 7–4 | | | | | | | | | 21 | 22 | 23 | 24 | | | | | | | | | | | | | | | | |
| Finish last R/ \bar{W} cycle | | | | | | | | | | | | | 25 | 26 | 27 | 28 | | | | | | | | | | | | |
| New memory cycle | | | | | | | | | | | | | | | | | | | | | 1 | 2 | | | | | | |



AA0413

Figure 4-23 Slow Read or Write DRAM Access Timing—5

Figure 4-24 shows the timing using Relative Addressing mode for a 24-bit word/4-bit bus memory access. The numbers in the table are memory access clock cycles and correspond to clock cycles of the timing figure directly below.

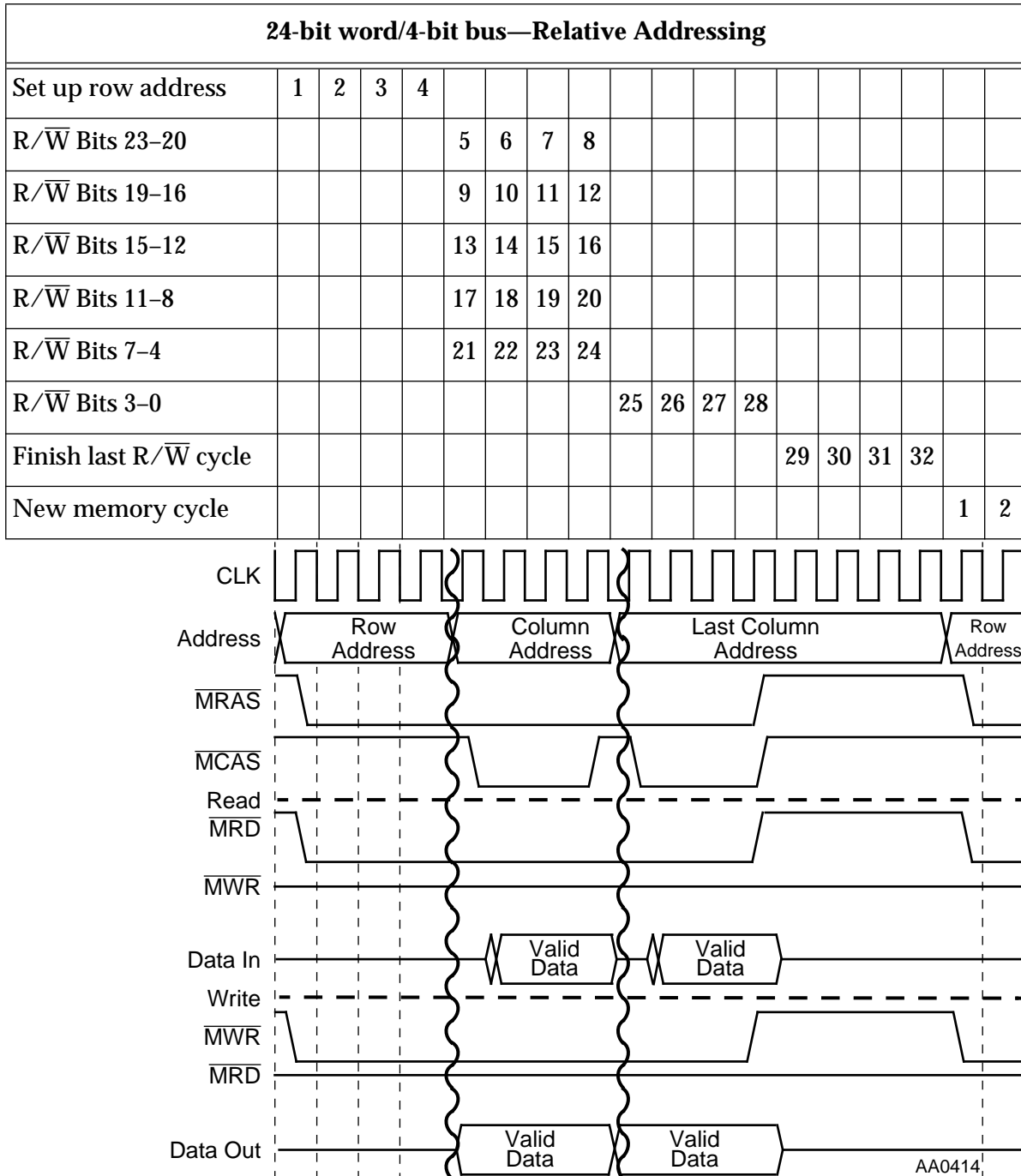


Figure 4-24 Slow Read or Write DRAM Access Timing—6

4.8.2 Timing Diagrams for SRAM Addressing Modes

When operating in the SRAM modes, the timing is selected by the ESTM bits in the ECSR (see **Section 4.2.7** on page 4-10). **Figure 4-25** shows the timing diagrams for read and write operations to/from SRAM memory. The cycle timing is shown at the top; there are two clock cycles to set up the transfer and then from 1 to 16 cycles (as determined by the ESTM bits), followed by the last cycle. This completes one memory access. There can be from one to six memory accesses needed to transfer one word, as shown in **Table 4-11** on page 4-20.

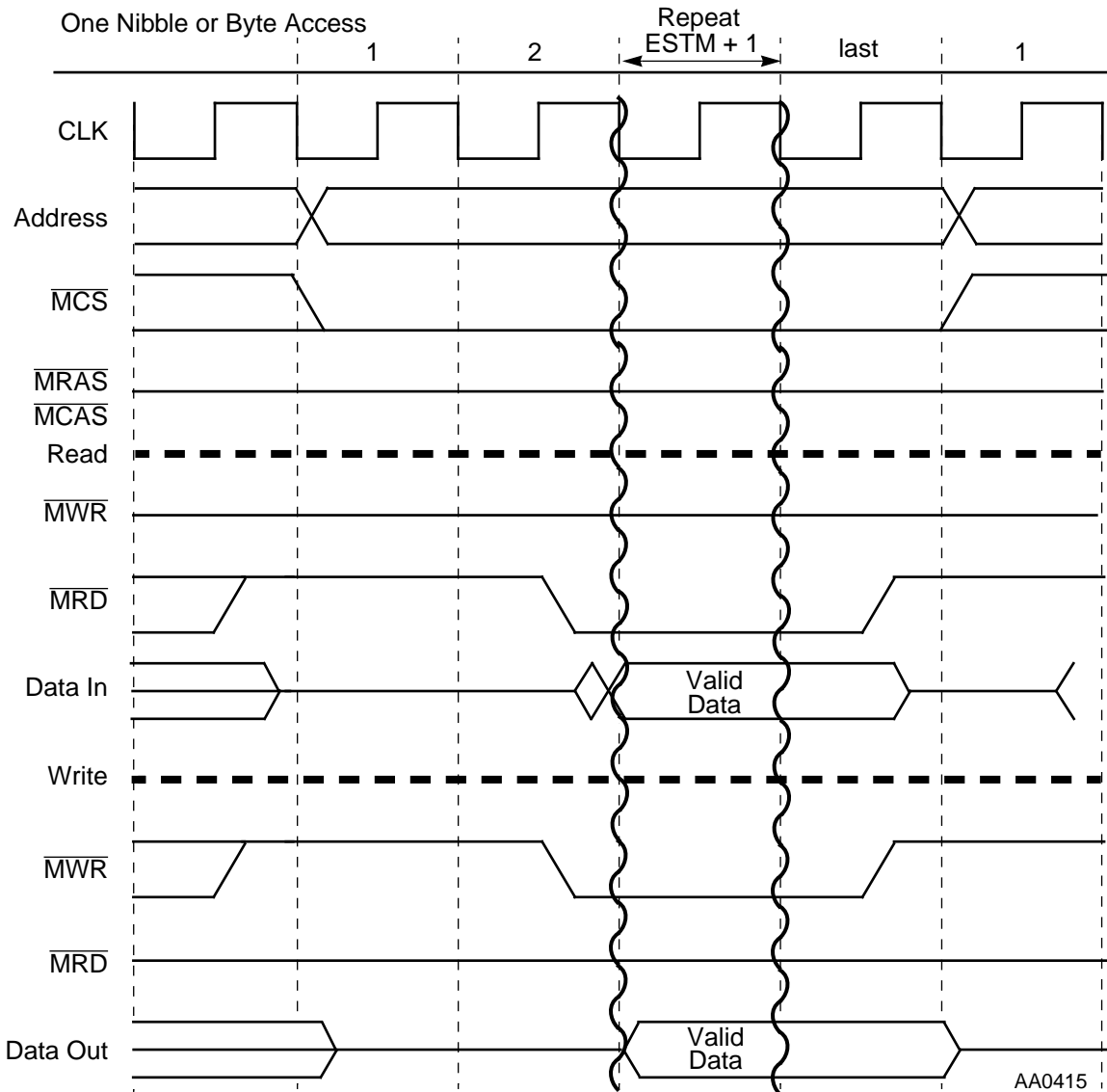
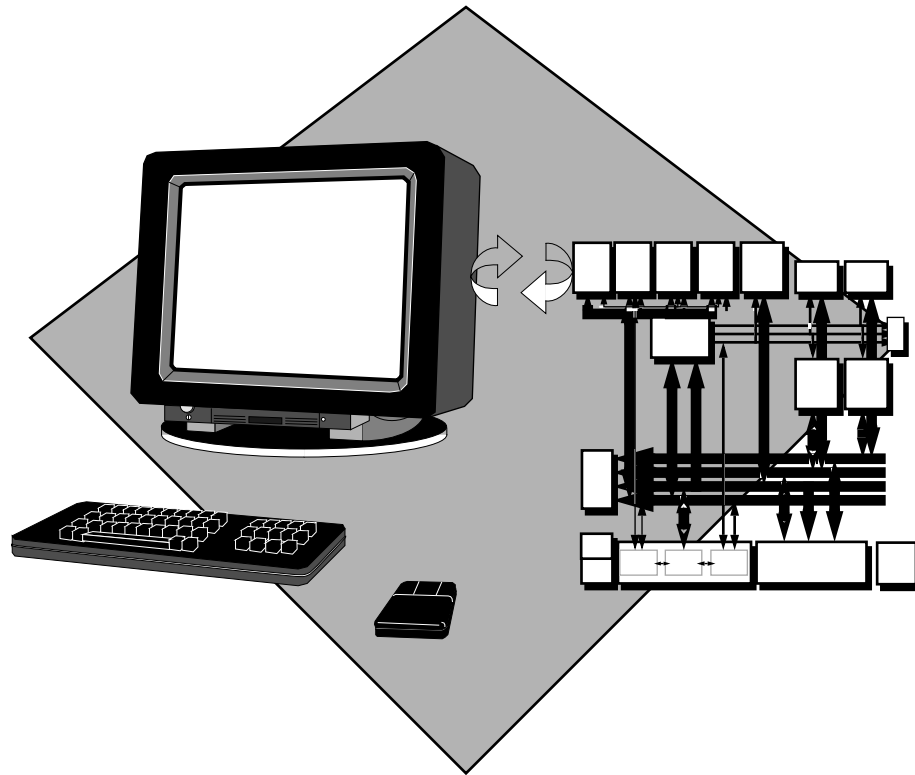


Figure 4-25 SRAM Read/Write Timing



SECTION 5

SERIAL HOST INTERFACE



| | | |
|-----|---|------|
| 5.1 | INTRODUCTION | 5-3 |
| 5.2 | SERIAL HOST INTERFACE INTERNAL ARCHITECTURE | 5-4 |
| 5.3 | SERIAL HOST INTERFACE PROGRAMMING MODEL | 5-4 |
| 5.4 | CHARACTERISTICS OF THE SPI BUS | 5-19 |
| 5.5 | CHARACTERISTICS OF THE I2C BUS | 5-19 |
| 5.6 | SHI PROGRAMMING CONSIDERATIONS | 5-22 |

5.1 INTRODUCTION

The Serial Host Interface (SHI) is a serial I/O interface that provides a path for communication and program/coefficient data transfers between the DSP and an external host processor. The SHI is capable of communicating with other serial peripheral devices as well. The SHI may be configured to interface directly to either of two well-known and widely used synchronous serial buses: the Serial Peripheral Interface (SPI) bus defined by Motorola and the Inter Integrated-circuit Control (I²C) bus defined by Philips. The SHI handles both SPI and I²C bus protocols, as required, from a slave or a single-master device. In order to minimize DSP overhead, the SHI supports single-, double-, and triple-byte data transfers. The SHI has a ten-word receive First-In, First-Out (FIFO) register that permits receiving up to thirty bytes before generating a receive interrupt. This reduces the DSP overhead for data reception.

When configured in the SPI mode, the SHI is able to:

- Identify its slave selection (in Slave mode)
- Simultaneously transmit data (shift out serially) and receive data (shift in serially)
- Directly operate with words 8, 16, and 24 bits long
- Generate vectored interrupts, separately for receive and transmit events, and update status bits
- Generate a separate vectored interrupt in the event of a receive exception
- Generate a separate vectored interrupt in the event of a bus-error exception
- Generate the serial clock signal (in Master mode)

When configured in the I²C mode, the SHI is able to:

- Detect/generate Start and Stop events
- Identify its slave (ID) address (in Slave mode)
- Identify the transfer direction (receive/transmit)
- Transfer data byte-wise according to the SCL clock line
- Generate an ACK signal following a byte receive
- Inspect an ACK signal following a byte transmit
- Directly operate with words 8, 16, and 24 bits long

- Generate vectored interrupts separately for receive and transmit events and update status bits
- Generate a separate vectored interrupt if a receive exception occurs
- Generate a separate vectored interrupt if a bus error exception occurs
- Generate the clock signal (in Master mode)

5.2 SERIAL HOST INTERFACE INTERNAL ARCHITECTURE

The DSP views the SHI as a memory-mapped peripheral in the X data memory space. The DSP may use the SHI as a normal memory-mapped peripheral using standard polling or interrupt programming techniques. Memory mapping allows DSP communication with the SHI registers to be accomplished using standard instructions and addressing modes. In addition, the MOVEP instruction allows interface-to-memory and memory-to-interface data transfers without going through an intermediate register. The single master configuration allows the DSP to directly connect to dumb peripheral devices. For that purpose, a programmable baud-rate generator is included to generate the clock signal for serial transfers. The host side invokes the SHI, for communication and data transfer with the DSP, through a shift register that may be accessed serially using either the I²C or the SPI bus protocols. **Figure 5-1** shows the SHI block diagram.

The SHI clock generator generates the serial clock to the SHI if the interface operates in the Master mode. The clock generator is disabled if the interface operates in the Slave mode. When the SHI operates in the Slave mode, the clock is external and is input to the SHI. **Figure 5-2** illustrates the internal clock path connections. It is the user's responsibility to select the proper clock rate within the range as defined in the I²C and SPI bus specifications.

5.3 SERIAL HOST INTERFACE PROGRAMMING MODEL

The Serial Host Interface programming model is divided in two parts: the host side and the DSP side. The registers that are available to the programmer on the host side are shown in **Figure 5-3** on page 5-6, and the registers that are available to the programmer on the DSP side are shown in **Figure 5-4** on page 5-7. These registers are described in the following paragraphs. The interrupt vector table for the Serial Host Interface is shown in **Table 5-1**, and the exceptions generated by the SHI are prioritized as shown in **Table 5-2** on page 5-6.

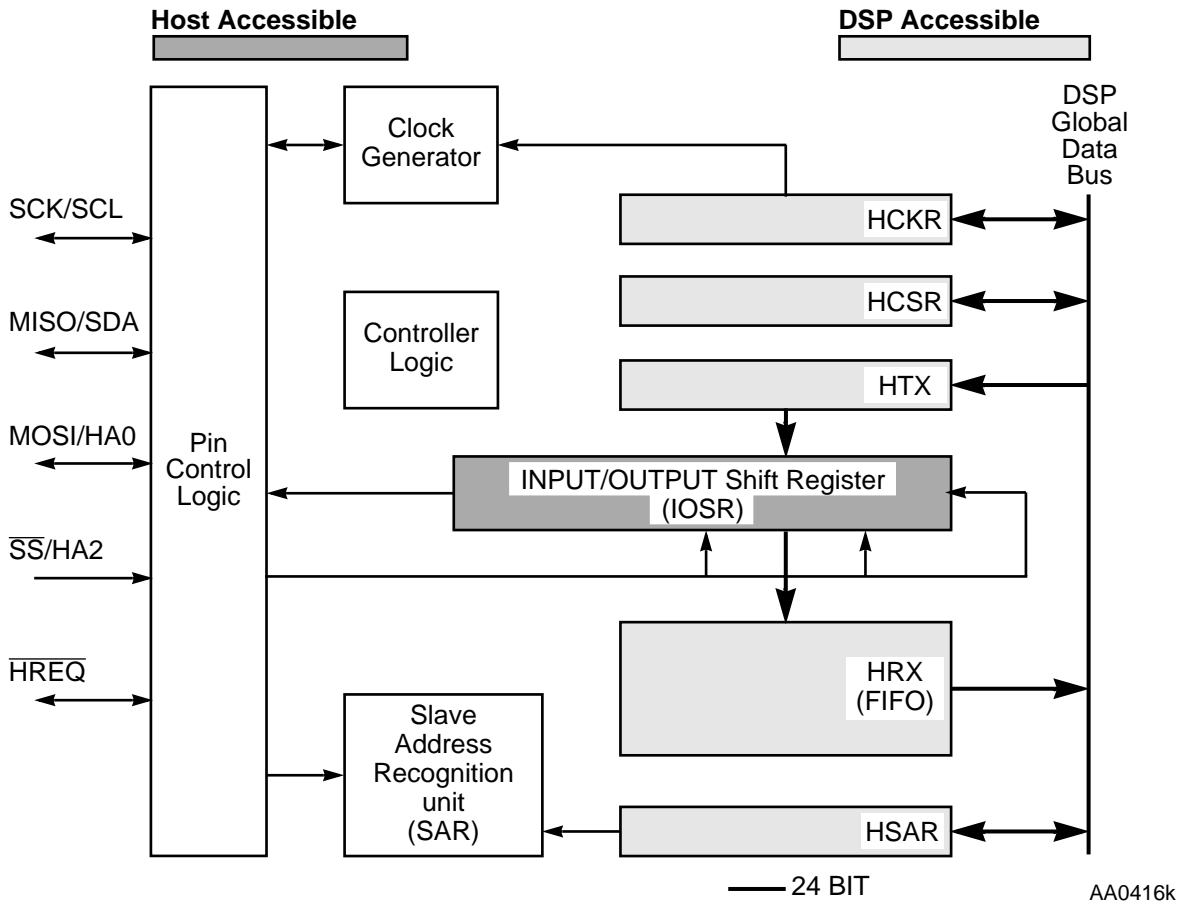


Figure 5-1 Serial Host Interface Block Diagram

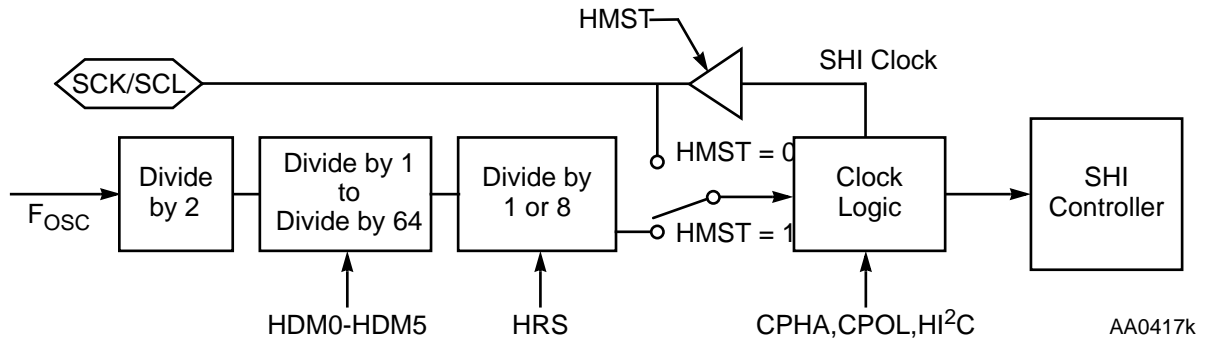


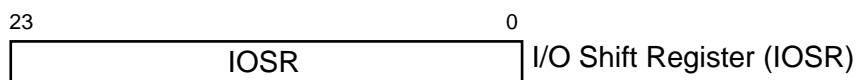
Figure 5-2 SHI Clock Generator

Table 5-1 SHI Interrupt Vectors

| Address | Interrupt Source |
|-----------|-----------------------------|
| P: \$0020 | SHI Transmit Data |
| P: \$0022 | SHI Transmit Underrun Error |
| P: \$0024 | SHI Receive FIFO Not Empty |
| P: \$0026 | Reserved |
| P: \$0028 | SHI Receive FIFO Full |
| P: \$002A | SHI Receive Overrun Error |
| P: \$002C | SHI Bus Error |

Table 5-2 SHI Internal Exception Priorities

| Priority | Exception |
|----------|-----------------------------|
| Highest | SHI Bus Error |
| | SHI Receive Overrun Error |
| | SHI Transmit Underrun Error |
| | SHI Receive FIFO Full |
| | SHI Transmit Data |
| Lowest | SHI Receive FIFO Not Empty |

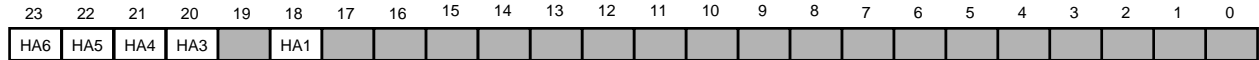


AA0418

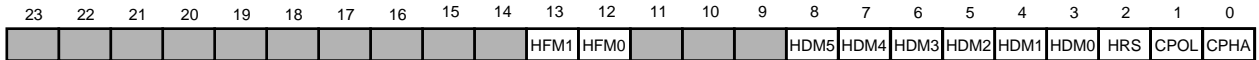
Figure 5-3 SHI Programming Model—Host Side

SERIAL HOST INTERFACE PROGRAMMING MODEL

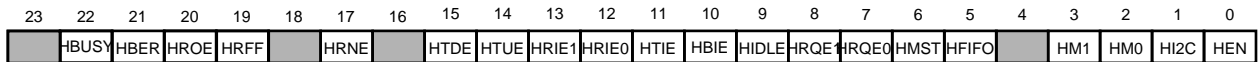
SHI I²C Slave Address Register (HSAR)
X: \$FFF2



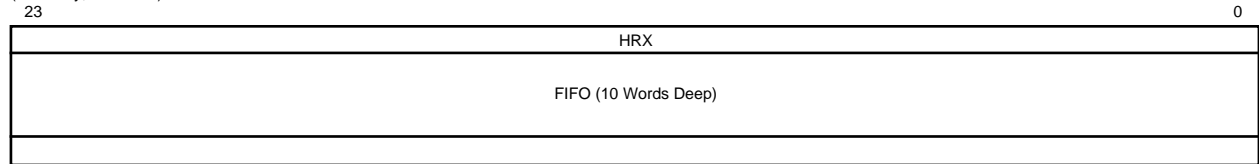
SHI Clock Control Register (HCKR)
X: \$FFF0



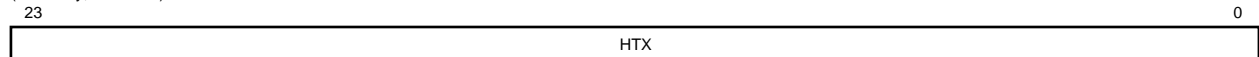
SHI Control/Status Register (HCSR)
X: \$FFF1



SHI Receive Data FIFO (HRX)
(read only, X: \$FFF3)



SHI Transmit Data Register (HTX)
(write only, X: \$FFF3)



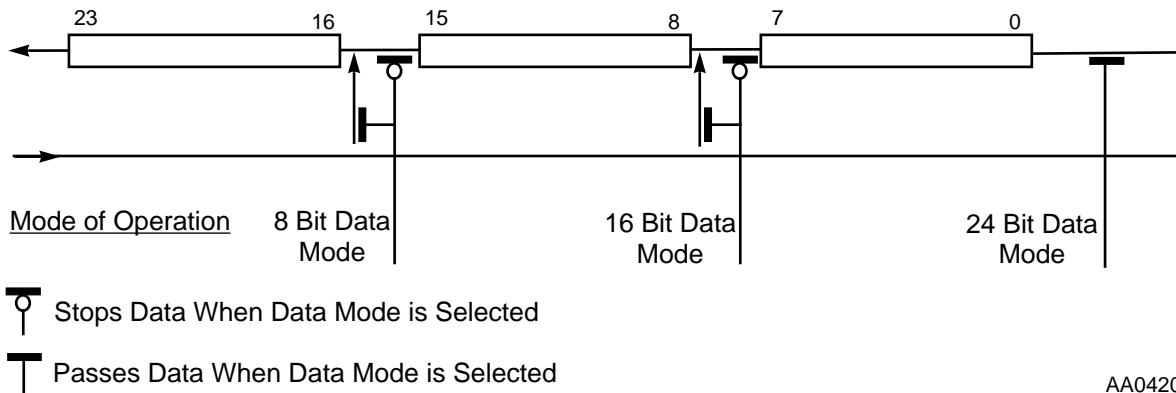
Reserved bit, read as 0, should be written with 0 for future compatibility.

AA0419

Figure 5-4 SHI Programming Model—DSP Side

5.3.1 SHI Input/Output Shift Register (IOSR)—Host Side

The variable length Input/Output Shift Register (IOSR) can be viewed as a serial-to-parallel and parallel-to-serial buffer in the SHI. The IOSR is involved with every data transfer in both directions (read and write). Data is shifted in and out Most Significant Bit (MSB) first in compliance with the I²C and SPI bus protocols. The IOSR cannot be accessed directly either by the host processor or by the DSP. It is fully controlled by the SHI controller logic. In single-byte data transfer modes, the highest byte of the IOSR is activated as a shift register. In 16-bit data transfer modes, the two higher bytes of the IOSR are activated as the shift register. In 24-bit transfer modes, all three bytes of the IOSR comprise the shift register (see **Figure 5-5**).



AA0420k

Figure 5-5 SHI I/O Shift Register (IOSR)

5.3.2 SHI Host Transmit Data Register (HTX)—DSP Side

The Host Transmit data register (HTX) is used for DSP-to-Host data transfers. The HTX register is 24 bits wide. Writing to the HTX register clears the HTDE flag. The DSP may program the HTIE bit to cause a Host transmit data interrupt when HTDE is set (see 5.3.6.10 HCSR Transmit-Interrupt Enable (HTIE)—Bit 11 on page 5-16). Data should not be written to the HTX until HTDE is set in order to prevent overwriting the previous data. HTX is reset to the empty state when in Stop mode and during hardware reset, software reset, and individual reset.

In the single-byte data transfer mode the most significant byte of the HTX is transmitted; in the double-byte mode the two most significant bytes, and in the triple-byte mode all the HTX is transferred.

5.3.3 SHI Host Receive Data FIFO (HRX)—DSP Side

The 24-bit Host Receive data FIFO (HRX) is a ten-word-deep, First-In, First-Out (FIFO) register used for Host-to-DSP data transfers. The serial data is received via the shift register and then loaded into the HRX. In the single-byte data transfer mode, the most significant byte of the shift register is transferred to the HRX (the other bits are filled with 0s); in the double-byte mode the two most significant bytes (the least significant byte is filled with 0s) are transferred, and in the triple-byte mode, all 24 bits are transferred to the HRX. The HRX may be read by the DSP while the FIFO is being loaded from the shift register. The HRX is reset to the empty state (cleared) when the chip is in Stop mode, and during hardware reset, software reset, and individual reset.

5.3.4 SHI Slave Address Register (HSAR)—DSP Side

The 24-bit Slave Address Register (HSAR) is used when the SHI operates in the I²C Slave mode and is ignored in the other operational modes. HSAR holds five bits of the 7-bit slave address of the device. The SHI also acknowledges the general call address (all 0s, 7-bit address, and a 0 R/ \bar{W} bit) specified by the I²C protocol. HSAR cannot be accessed by the host processor.

5.3.4.1 HSAR Reserved Bits—Bits 17–0,19

These bits are reserved and unused. They read as 0 and should be written with 0 for future compatibility.

5.3.4.2 HSAR I²C Slave Address (HA[6:3], HA1)—Bits 23–20,18

Part of the I²C slave address is stored in the read/write HA[6:3], HA1 bits of HSAR. The full 7-bit slave address is formed by combining the HA[6:3], HA1 bits with the HA0 and HA2 pins to obtain the HA[6:0] slave address. The full 7-bit slave address is compared to the received address byte whenever an I²C master device initiates an I²C bus transfer. During hardware reset or software reset, the HA[6:3] bits are set to 1011 while HA1 is cleared; this results in a default slave address of 1011_HA2_0_HA0.

5.3.5 SHI Clock Control Register (HCKR)—DSP Side

The SHI Clock Control Register (HCKR) is a 24-bit read/write register that controls the SHI clock generator operation. The HCKR bits are cleared during hardware reset or software reset, except for CPHA, which is set. The HCKR bits should be modified only while the SHI is in the individual reset state (HEN = 0 in the HCSR). The HCKR is not affected by the Stop state. Note that the maximum-allowed internally generated bit clock frequency is $f_{osc}/4$ for the SPI mode and $f_{osc}/6$ for the I²C mode (the maximum-allowed externally generated bit clock frequency is $f_{osc}/3$ for the SPI mode and $f_{osc}/5$ for the I²C mode). The programmer should not use the combination HRS = 1 and HDM[5:0] = 000000, since it may cause synchronization problems and improper operation (it is therefore considered an illegal combination). The HCKR bits are described in the following paragraphs.

5.3.5.1 Clock Phase and Polarity (CPHA and CPOL)—Bits 1–0

The programmer may select any of four combinations of Serial Clock (SCK) phase and polarity when operating in the SPI mode (refer to **Figure 5-6** on page 5-11). The clock polarity is determined by the Clock Polarity (CPOL) control bit, which selects an active-high or active-low clock. When CPOL is cleared, it produces a steady-state low value at the SCK pin of the master device whenever data is not being transferred.

If the CPOL bit is set, a high value is produced at the SCK pin of the master device whenever data is not being transferred.

The Clock Phase (CPHA) bit controls the relationship between the data on the MISO and MOSI pins and the clock produced or received at the SCK pin. This control bit is used in conjunction with the CPOL bit to select the desired clock-to-data relationship. The CPHA bit, in general, selects the clock edge that captures data and allows it to change states. It has its greatest impact on the first bit transmitted (MSB) in that it does or does not allow a clock transition before the data capture edge.

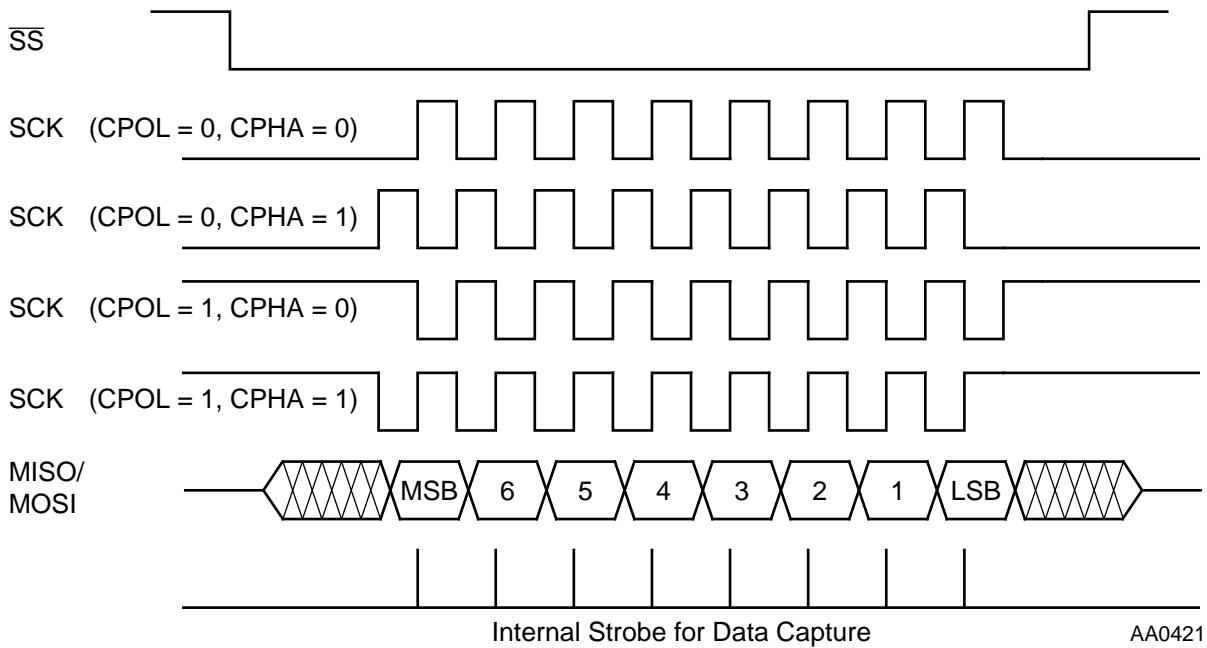
When in Slave mode and CPHA = 0, the \overline{SS} line must be deasserted and asserted by the external master between each successive word transfer. \overline{SS} must remain asserted between successive bytes within a word. The DSP core should write the next data word to HTX when HTDE = 1, clearing HTDE. However, the data will be transferred to the shift register for transmission only when \overline{SS} is deasserted. HTDE is set when the data is transferred from HTX to the shift register.

When in Slave mode and CPHA = 1, the \overline{SS} line may remain asserted between successive word transfers. The \overline{SS} must remain asserted between successive bytes within a word. The DSP core should write the next data word to HTX when HTDE = 1, clearing HTDE. The HTX data will be transferred to the shift register for transmission as soon as the shift register is empty. HTDE is set when the data is transferred from HTX to the shift register.

When in Master mode and CPHA = 0, the DSP core should write the next data word to HTX when HTDE = 1, clearing HTDE; the data is transferred immediately to the shift register for transmission. HTDE is set only at the end of the data word transmission. Note that the master is responsible for deasserting and asserting the slave \overline{SS} line between word transmissions.

When in Master mode and CPHA = 1, the DSP core should write the next data word to HTX when HTDE = 1, clearing HTDE. The HTX data will be transferred to the shift register for transmission as soon as the shift register is empty. HTDE is set when the data is transferred from HTX to the shift register.

The clock phase and polarity should be identical for both the master and slave SPI devices. CPHA and CPOL are functional only when the SHI operates in the SPI mode, and are ignored in the I²C mode. The CPHA bit is set and the CPOL bit is cleared during hardware reset and software reset.


Figure 5-6 SPI Data-To-Clock Timing Diagram

5.3.5.2 HCKR Prescaler Rate Select (HRS)—Bit 2

The HRS bit controls a prescaler in series with the clock generator divider. This bit is used to extend the range of the divider when slower clock rates are desired. When HRS is set, the prescaler is bypassed. When HRS is cleared, the fixed divide-by-eight prescaler is operational. HRS is ignored when the SHI operates in the Slave mode. The HRS bit is cleared during hardware reset and software reset.

5.3.5.3 HCKR Divider Modulus Select (HDM[5:0])—Bits 8–3

The HDM[5:0] bits specify the divide ratio of the clock generator divider. A divide ratio between one and sixty-four ($HDM[5:0] = 0$ to $3F$) may be selected. When the SHI operates in the Slave mode, the HDM[5:0] bits are ignored. The HDM[5:0] bits are cleared during hardware reset and software reset.

5.3.5.4 HCKR Reserved Bits—Bits 23–14, 11–9

These bits in HCKR are reserved and unused. They are read as 0s and should be written with 0s for future compatibility.

5.3.5.5 HCKR Filter Mode (HFM[1:0]) — Bits 13–12

The read/write control bits HFM[1:0] specify the operational mode of the noise reduction filters as described in **Table 5-3**. The filters are designed to eliminate undesired spikes that might occur on the clock and data-in lines and allow the SHI to operate in noisy environments when required. One filter is located in the input path of the SCK/SCL line and the other is located in the input path of the data line (i.e., the

SDA line when in I²C mode, the MISO line when in Master SPI mode, and the MOSI line when in Slave SPI mode).

When HFM[1:0] are cleared, the filter is bypassed (spikes are not filtered out). This mode is useful when higher bit-rate transfers are required and the SHI operates in a noise-free environment.

When HFM1 = 1 and HFM0 = 0, the narrow-spike-tolerance filter mode is selected. In this mode the filters eliminate spikes with durations of up to twenty nanoseconds. This mode is suitable for use in mildly noisy environments and imposes some limitations on the maximum achievable bit-rate transfer.

When HFM1 = 1 and HFM0 = 1, the wide-spike-tolerance filter mode is selected. In this mode the filters eliminate spikes up to one-hundred nanoseconds. This mode is recommended for use in noisy environments; the bit-rate transfer is strictly limited. The wide-spike-tolerance filter mode is highly recommended for use in I²C bus systems as it fully conforms to the I²C bus specification and improves noise immunity.

HFM[1:0] are cleared during hardware reset and software reset.

Table 5-3 SHI Noise Reduction Filter Mode

| HFM1 | HFM0 | Description |
|------|------|------------------------|
| 0 | 0 | Bypassed (Disabled) |
| 0 | 1 | Reserved |
| 1 | 0 | Narrow Spike Tolerance |
| 1 | 1 | Wide Spike Tolerance |

After changing the filter bits in the HCKR register to a non-bypass mode (HFM[1:0] not equal to '00') the programmer should wait at least ten times the tolerable spike width before enabling the SHI (setting the HEN bit in the HCSR register).

Similarly, after changing the I²C bit in the HCSR or the CPOL bit in the HCKR, while the filter mode bits are in the non-bypass mode (HFM[1:0] not equal to '00'), the programmer should wait at least ten times the tolerable spike width before enabling the SHI (setting HEN in the HCSR register).

5.3.6 SHI Control/Status Register (HCSR)—DSP Side

The HCSR register is a 24-bit read/write register that controls the Serial Host Interface operation and reflects its status. Each bit is described in one of the following paragraphs. When in the Stop state or during individual reset, the HCSR status bits are reset to their hardware-reset state, while the control bits are not affected.

5.3.6.1 HCSR Host Enable (HEN)—Bit 0

The read/write control bit Host Enable (HEN) enables the overall operation of the SHI. When HEN is set, SHI operation is enabled. When HEN is cleared, the SHI is disabled (individual reset state, see below). The HCKR register and the HCSR control bits are not affected when HEN is cleared. When operating in Master mode, HEN should be cleared only after the SHI is idle (HBUSY = 0). HEN is cleared during hardware reset and software reset.

Note: While the SHI is in the individual reset state, SHI input pins are inhibited, output and bidirectional pins are disabled (high impedance), the HCSR status bits and the transmit/receive paths are reset to the same state produced by hardware reset or software reset. The individual reset state is entered following a one-instruction-cycle delay after clearing HEN.

5.3.6.2 HCSR I²C/SPI Selection (HI²C)—Bit 1

The read/write control bit HI²C selects whether the SHI operates in the I²C or SPI modes. When HI²C is cleared, the SHI operates in the SPI mode. When HI²C is set, the SHI operates in the I²C mode. HI²C affects the functionality of the SHI pins as described in **Section 2 Pin Descriptions**. It is recommended that an SHI individual reset be generated (HEN cleared) before changing HI²C. HI²C is cleared during hardware reset and software reset.

5.3.6.3 HCSR Serial Host Interface Mode (HM[1:0])—Bits 3–2

The read/write control bits HM[1:0] select the size of the data words to be transferred, as shown in **Table 5-4**. HM[1:0] should be modified only when the SHI is idle (HBUSY = 0). HM[1:0] are cleared during hardware reset and software reset.

5.3.6.4 HCSR Reserved Bits—Bits 23, 18, 16, and 4

These bits in HCSR are reserved and unused. They are read as 0s and should be written with 0s for future compatibility.

Table 5-4 SHI Data Size

| HM1 | HMO | Description |
|-----|-----|-------------|
| 0 | 0 | 8-bit data |

Table 5-4 SHI Data Size (Continued)

| HM1 | HMO | Description |
|-----|-----|-------------|
| 0 | 1 | 16-bit data |
| 1 | 0 | 24-bit data |
| 1 | 1 | Reserved |

5.3.6.5 HCSR FIFO-Enable Control (HFIFO)—Bit 5

The read/write control bit HCSR FIFO-enable control (HFIFO) selects the size of the receive FIFO. When HFIFO is cleared, the FIFO has a single level. When HFIFO is set, the FIFO has ten levels. It is recommended that an SHI individual reset be generated (HEN cleared) before changing HFIFO. HFIFO is cleared during hardware reset and software reset.

5.3.6.6 HCSR Master Mode (HMST)—Bit 6

The read/write control bit HCSR Master (HMST) determines the operating mode of the SHI. If HMST is set, the interface operates in the Master mode. If HMST is cleared, the interface operates in the Slave mode. The SHI supports a single-master configuration, in both I²C and SPI modes. When configured as an SPI Master, the SHI drives the SCK line and controls the direction of the data lines MOSI and MISO. The \overline{SS} line must be held deasserted in the SPI Master mode; if the \overline{SS} line is asserted when the SHI is in SPI Master mode, a bus error will be generated (the HCSR HBER bit will be set; see **5.3.6.17 Host Bus Error (HBER)—Bit 21**). When configured as an I²C Master, the SHI controls the I²C bus by generating Start events, clock pulses, and Stop events for transmission and reception of serial data. It is recommended that an SHI individual reset be generated (HEN cleared) before changing HMST. HMST is cleared during hardware reset and software reset.

5.3.6.7 HCSR Host Request Enable (HRQE[1:0])—Bits 8–7

The read/write Host Request Enable control bits (HRQE[1:0]) are used to enable the operation of the \overline{HREQ} pin. When HRQE[1:0] are cleared, the \overline{HREQ} pin is disabled and held in the high impedance state. If either HRQE0 or HRQE1 are set and the SHI is operating in a Master mode, the \overline{HREQ} pin becomes an input that controls the serial clock; deasserting \overline{HREQ} will suspend the Serial Clock. If either HRQE0 or HRQE1 are set and the SHI is operating in a Slave mode, \overline{HREQ} becomes an output and its operation is defined as shown in **Table 5-5**. HRQE[1:0] should be modified only when the SHI is idle (HBUSY = 0). HRQE[1:0] are cleared during hardware reset and software reset.

Table 5-5 $\overline{\text{HREQ}}$ Function In SHI Slave Modes

| HRQE1 | HRQE0 | $\overline{\text{HREQ}}$ Pin Operation |
|-------|-------|--|
| 0 | 0 | High impedance |
| 0 | 1 | Asserted if IOSR is ready to receive a new word |
| 1 | 0 | Asserted if IOSR is ready to transmit a new word |
| 1 | 1 | I ² C: Asserted if IOSR is ready to transmit or receive SPI: Asserted if IOSR is ready to transmit and receive |

5.3.6.8 HCSR Idle (HIDLE)—Bit 9

The read/write control/status bit Host Idle (HIDLE) is used only in the I²C Master mode; it is ignored otherwise. It is only possible to set the HIDLE bit during writes to the HCSR register. HIDLE is cleared by writing to HTX.

To ensure correct transmission of the slave address byte, HIDLE should be set only when the HTX is empty (HTDE = 1). After HIDLE is set, a write to the HTX will clear HIDLE and cause the generation of a Stop event, a Start event, and then the transmission of the eight MSBs of the data as the slave address byte.

While HIDLE is cleared, data written to the HTX will be transmitted ‘as is.’ If the SHI completes transmitting a word and there is no new data in the HTX, the clock will be suspended after sampling ACK.

HIDLE selects the kind of acknowledge that the receiver sends after correct reception of a byte. If HIDLE is cleared, the reception will be acknowledged by sending a ‘0’ bit on the SDA line at the ACK clock tick. If HIDLE is set, the reception will not be acknowledged (a ‘1’ bit is sent). It is used to signal an end-of-data to a slave transmitter by not generating an ACK on the last byte. As a result, the slave transmitter must release the SDA line to allow the master to generate the Stop event. If the SHI completes receiving a word and the HRX FIFO is full, the clock will be suspended before transmitting an ACK.

While HIDLE is cleared the bus is busy, that is, the Start event was sent but no Stop event was generated. Setting HIDLE will cause a Stop event.

HIDLE is set while the SHI is not in the I²C Master mode. HIDLE is set during hardware reset, software reset, individual reset, and while the chip is in the Stop state.

5.3.6.9 HCSR Bus-Error Interrupt Enable (HBIE)—Bit 10

The read/write HCSR Bus-error Interrupt Enable (HBIE) control bit is used to enable the SHI bus-error interrupt. If HBIE is cleared, bus-error interrupts are disabled, and the HBER status bit must be polled to determine if an SHI bus error occurred. If both HBIE and HBER are set, the SHI will request SHI Bus-Error interrupt service from the interrupt controller. HBIE is cleared by hardware reset and software reset.

Note: Clearing HBIE will mask a pending bus-error interrupt only after a one-instruction-cycle delay. If HBIE is cleared in a long interrupt service routine, it is recommended that at least one other instruction separate the instruction that clears HBIE and the RTI instruction at the end of the interrupt service routine.

5.3.6.10 HCSR Transmit-Interrupt Enable (HTIE)—Bit 11

The read/write HCSR Transmit-Interrupt Enable (HTIE) control bit is used to enable the SHI transmit data interrupts. If HTIE is cleared, transmit interrupts are disabled, and the HTDE status bit must be polled to determine if the SHI transmit-data register is empty. If both HTIE and HTDE are set and HTUE is cleared, the SHI will request SHI transmit-data interrupt service from the interrupt controller. If both HTIE and HTUE are set, the SHI will request SHI transmit-underrun-error interrupt service from the interrupt controller. HTIE is cleared by hardware reset and software reset.

Note: Clearing HTIE will mask a pending transmit interrupt only after a one-instruction cycle-delay. If HTIE is cleared in a long interrupt service routine, it is recommended that at least one other instruction separate the instruction that clears HTIE and the RTI instruction at the end of the interrupt service routine.

5.3.6.11 HCSR Receive Interrupt Enable (HRIE[1:0])—Bits 13–12

The read/write HCSR Receive Interrupt Enable (HRIE[1:0]) control bits are used to enable the SHI receive-data interrupts. If HRIE[1:0] are cleared, receive interrupts are disabled, and the HRNE and HRFF (Bits 17 and 19, see below) status bits must be polled to determine if there is data in the receive FIFO. If HRIE[1:0] are not cleared, receive interrupts will be generated according to **Table 5-6**. HRIE[1:0] are cleared by hardware reset and software reset.

Note: Clearing HRIE[1:0] will mask a pending receive interrupt only after a one-instruction-cycle delay. If HRIE[1:0] are cleared in a long interrupt service routine, it is recommended that at least one other instruction separate the instruction that clears HRIE[1:0] and the RTI instruction at the end of the interrupt service routine.

Table 5-6 HCSR Receive Interrupt Enable Bits

| HRIE[1:0] | Interrupt | Condition |
|-----------|---|---------------------------------|
| 00 | Disabled | N.A. |
| 01 | Receive FIFO not empty Receive Overrun Error | HRNE = 1 & HROE = 0 HROE = 1 |
| 10 | Reserved | N.A. |
| 11 | Receive FIFO full Receive Overrun Error | HRFF = 1 & HROE = 0 HROE = 1 |

5.3.6.12 HCSR Host Transmit Underrun Error (HTUE)—Bit 14

The read-only status bit Host Transmit Underrun Error (HTUE) indicates that a transmit-underrun error occurred. Transmit-underrun errors can occur only when operating in a Slave mode (in a Master mode, transmission occurs in an on-demand basis and no underrun can occur). It is set when both the shift register and the HTX register are empty and the external master begins reading the next word:

- When operating in the I²C mode, HTUE is set in the falling edge of the ACK bit. In this case, the SHI will retransmit the previously transmitted word.
- When operating in the SPI mode, HTUE is set at the first clock edge if CPHA = 1; it is set at the assertion of \overline{SS} if CPHA = 0.

If a transmit interrupt occurs with HTUE set, the transmit-underrun interrupt vector will be generated. If a transmit interrupt occurs with HTUE cleared, the regular transmit-data interrupt vector will be generated. HTUE is cleared by reading the HCSR and then writing to the HTX register. HTUE is cleared by hardware reset, software reset, SHI individual reset, and during the Stop state.

5.3.6.13 HCSR Host Transmit Data Empty (HTDE)—Bit 15

The read-only status bit Host Transmit Data Empty (HTDE) indicates that the HTX register is empty and can be written by the DSP. HTDE is set when the data word is transferred from HTX to the shift register, except for a special case in SPI Master mode when CPHA = 0 (see HCKR). When operating in the SPI Master mode with CPHA = 0, HTDE is set after the end of the data word transmission. HTDE is cleared when HTX is written by the DSP. HTDE is set by hardware reset, software reset, SHI individual reset, and during the Stop state.

5.3.6.14 Host Receive FIFO Not Empty (HRNE)—Bit 17

The read-only status bit Host Receive FIFO Not Empty (HRNE) indicates that the Host Receive FIFO (HRX) contains at least one data word. HRNE is set when the FIFO is not empty. HRNE is cleared when HRX is read by the DSP, reducing the

number of words in the FIFO to 0. HRNE is cleared during hardware reset, software reset, SHI individual reset, and during the Stop state.

5.3.6.15 Host Receive FIFO Full (HRFF)—Bit 19

The read-only status bit Host Receive FIFO Full (HRFF) indicates that the Host Receive FIFO (HRX) is full. HRFF is set when the HRX FIFO is full. HRFF is cleared when HRX is read by the DSP and at least one place is available in the FIFO. HRFF is cleared by hardware reset, software reset, SHI individual reset, and during the Stop state.

5.3.6.16 Host Receive Overrun Error (HROE)—Bit 20

The read-only status bit Host Receive Overrun Error (HROE) indicates that a data-receive overrun error occurred. Receive-overrun errors cannot occur when operating in the I²C Master mode, since the clock is suspended if the receive FIFO is full. HROE is set when the shift register (IOSR) is filled and ready to transfer the data word to the HRX FIFO and the FIFO is already full (HRFF is set). When a receive-overrun error occurs, the shift register is not transferred to the FIFO. If a receive interrupt occurs with HROE set, the receive-overrun interrupt vector will be generated. If a receive interrupt occurs with HROE cleared, the regular receive-data interrupt vector will be generated. HROE is cleared by reading the HCSR register with HROE set, followed by reading HRX. HROE is cleared by hardware reset, software reset, SHI individual reset, and during the Stop state.

5.3.6.17 Host Bus Error (HBER)—Bit 21

The read-only status bit Host Bus Error (HBER) indicates that an SHI bus error occurred when operating as a master (HMST set). In I²C mode, HBER is set if the transmitter does not receive an acknowledge after a byte is transferred; in this case, a Stop event will be generated and then transmission will be suspended. In SPI mode, the bit is set if \overline{SS} is asserted; in this case, transmission is suspended at the end of transmission of the current word. HBER is cleared only by hardware reset, software reset, SHI individual reset, and during the Stop state.

5.3.6.18 HCSR Host Busy (HBUSY)—Bit 22

The read-only status bit Host Busy (HBUSY) indicates that the I²C bus is busy (when in the I²C mode) or that the SHI itself is busy (when in the SPI mode). When operating in the I²C mode, HBUSY is set after the SHI detects a Start event and remains set until a Stop event is detected. When operating in the SPI Slave mode, HBUSY is set while \overline{SS} is asserted. When operating in the SPI Master mode, HBUSY is set if the HTX register is not empty or if the IOSR shift register is not empty. HBUSY is cleared otherwise. HBUSY is cleared by hardware reset, software reset, SHI individual reset, and during the Stop state.

5.4 CHARACTERISTICS OF THE SPI BUS

The SPI bus consists of two serial data lines, Master In, Slave Out (MISO), Master Out, Slave In (MOSI), a Serial Clock line (SCK), and a Slave Select line (\overline{SS}). During an SPI transfer, a byte is shifted out one data pin while a different byte is simultaneously shifted in through a second data pin. It can be viewed as two 8-bit shift registers connected together in a circular manner, where one shift register is located on the master side and the other on the slave side. Thus, the data bytes in the master and slave are effectively exchanged. The MISO and MOSI data pins are used for transmitting and receiving serial data. When the SPI is configured as a master, MISO is the master data input line, and MOSI is the master data output line. When the SPI is configured as a slave, these pins reverse functionality.

Clock control logic allows a selection of clock polarity and a choice of two fundamentally different clocking protocols to accommodate most available synchronous serial peripheral devices. When the SPI is configured as a master, the control bits in the HCKR select the appropriate clock rate, as well as the desired clock polarity and phase format (see **Figure 5-6** on page 5-11).

The Slave Select (\overline{SS}) line allows individual selection of a slave SPI device; slave devices that are not selected do not interfere with SPI bus activity (they keep their MISO output pin in the high-impedance state). When the SHI is configured as an SPI master, the \overline{SS} line should be held high. If the \overline{SS} line is driven low when the SHI is in SPI Master mode, a bus error will be generated (the HCSR HBER bit will be set).

5.5 CHARACTERISTICS OF THE I²C BUS

The I²C serial bus consists of two bi-directional lines, one for data signals (Serial Data and Acknowledge—SDA) and one for clock signals (Serial Clock—SCL). Both the SDA and SCL lines must be connected to a positive supply voltage via a pull-up resistor.

5.5.1 Overview

The I²C bus protocol must conform to the following rules:

- Data transfer may be initiated only when the bus is not busy
- During data transfer, the data line must remain stable whenever the clock line is high. Changes in the data line when the clock line is high will be interpreted as control signals (see **Figure 5-7**)

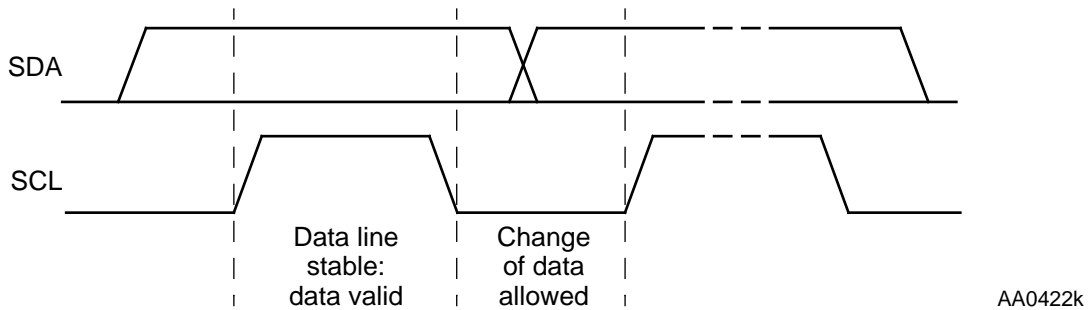


Figure 5-7 I²C Bit Transfer

Accordingly, the I²C bus protocol defines the following events:

- Bus not busy: both data and clock lines remain high
- Start data transfer: the Start event is defined as a change in the state of the data line, from high to low, while the clock is high (see **Figure 5-8**)
- Stop data transfer: the Stop event is defined as a change in the state of the data line, from low to high, while the clock is high (see **Figure 5-8**)
- Data valid: the data line contains valid data when, after a Start event, the data line is stable for the duration of the high period of the clock signal; the data on the line may be changed during the low period of the clock signal; there is one clock pulse per bit of data

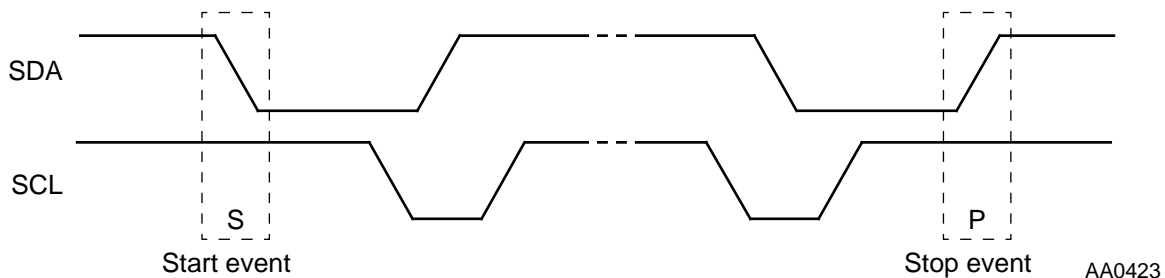


Figure 5-8 I²C Start and Stop Events

Within the I²C bus specifications, a low-speed mode (2 kHz clock rate) and a high-speed mode (100 kHz clock rate) are defined. The SHI operates in the high-speed mode only.

By definition, a device that generates a signal is called a “transmitter,” and a device that receives a signal from a transmitter is called a “receiver.” The device that controls the signal is called the “master” and the devices that are controlled by the master are called “slaves.”

Each 8-bit word is followed by one acknowledge bit. This acknowledge bit is a high level put on the bus by the transmitter when the master generates an extra acknowledge-related clock pulse. A slave receiver that is addressed is obliged to generate an acknowledge after the reception of each byte. Also, a master receiver must generate an acknowledge after the reception of each byte that has been clocked out of the slave transmitter.

The device that acknowledges has to pull down the SDA line during the acknowledge clock pulse in such a way that the SDA line is stable low during the high period of the acknowledge-related clock pulse (see **Figure 5-9**).

A master receiver must signal an end-of-data to the slave transmitter by not generating an acknowledge on the last byte that has been clocked out of the slave. In this case the transmitter must leave the data line high to enable the master generation of the Stop event.

Handshaking may also be accomplished by use of the clock synchronizing mechanism. Slaves can hold the SCL line low, after receiving and acknowledging a byte, to force the master into a wait state until the slave is ready for the next byte transfer. The SHI supports this feature when operating as a master and will wait until the slave releases the SCL line before proceeding with the data transfer.

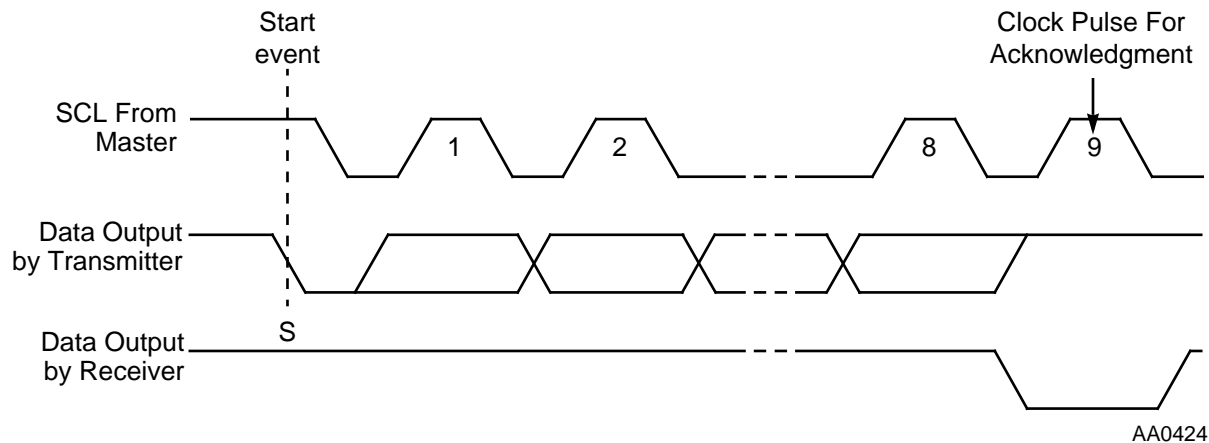


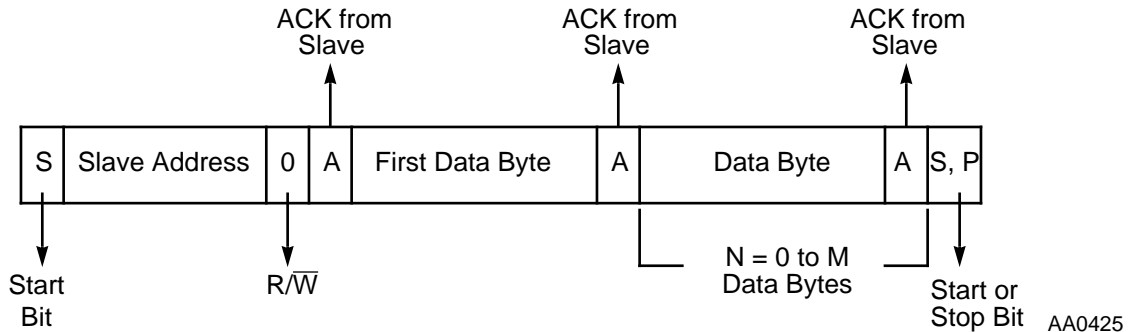
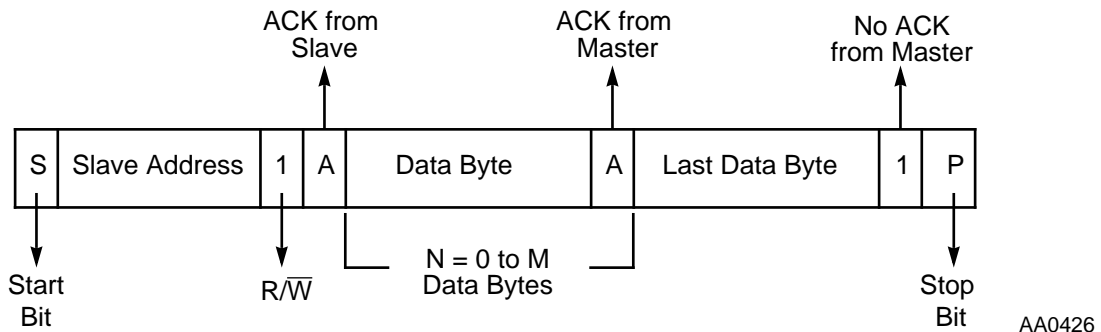
Figure 5-9 Acknowledgment on the I²C Bus

5.5.2 I²C Data Transfer Formats

I²C bus data transfers follow the following format: after the Start event, a slave address is sent. This address is 7 bits wide. The eighth bit is a data direction bit (R/\overline{W})—'0' indicates a transmission (write), and '1' indicates a request for data (read). A data transfer is always terminated by a Stop event generated by the master. However, if the master still wishes to communicate on the bus, it can generate another Start event, and address another slave without first generating a Stop event (this feature is not supported by the SHI when operating as an I²C master). This method is also used to provide indivisible data transfers. Various combinations of read/write formats are illustrated in **Figure 5-10** and **Figure 5-11**. Note that the first data byte in a write-bus cycle can be used as a user-defined control byte (e.g., to determine the location to which the subsequent data bytes should be transferred).

5.6 SHI PROGRAMMING CONSIDERATIONS

The SHI supports both SPI and I²C bus protocols and can be configured to operate as a slave or a single master device. Once the operating mode is selected, the SHI may communicate with an external device by receiving and/or transmitting data. Before changing the SHI operational mode, an SHI individual reset should be generated by clearing the HEN bit. The following paragraphs describe programming considerations for each operational mode.


Figure 5-10 I²C Bus Protocol For Host Write Cycle

Figure 5-11 I²C Bus Protocol For Host Read Cycle

5.6.1 SPI Slave Mode

The SPI Slave mode is entered by enabling the SHI (HEN = 1), selecting the SPI mode (HI²C = 0), and selecting the Slave mode of operation (HMST = 0). The programmer should verify that the CPHA and CPOL bits (in the HCKR register) correspond to the external host clock phase and polarity. Other HCKR bits are ignored. When configured in the SPI Slave mode, the SHI external pins operate as follows:

- SCK/SCL is the SCK serial clock input.
- MISO/SDA is the MISO serial data output.
- MOSI/HA0 is the MOSI serial data input.
- \overline{SS} /HA2 is the \overline{SS} Slave Select input.
- \overline{HREQ} is the Host Request output.

In the SPI Slave mode, a receive, transmit, or full-duplex data transfer may be performed. Actually, the interface simultaneously performs both data receive and

transmit. The status bits of both receive and transmit paths are active; however, the programmer may disable undesired interrupts and ignore non-relevant status bits. It is recommended that an SHI individual reset (HEN cleared) be generated before beginning data reception in order to reset the HRX FIFO to its initial (empty) state (e.g., when switching from transmit to receive data).

If a write to HTX occurs, its contents are transferred to IOSR between data word transfers. The IOSR data is shifted out (via MISO) and received data is shifted in (via MOSI). The DSP may write HTX if the HTDE status bit is set. If no writes to HTX occurred, the contents of HTX are not transferred to IOSR, so the data that is shifted out when receiving is the same as the data present in the IOSR shift register at the time. The HRX FIFO contains valid receive data, which may be read by the DSP, if the HRNE status bit is set.

The $\overline{\text{HREQ}}$ output pin, if enabled for receive (HRQE1-HRQE0 = 01), is asserted when the IOSR is ready for receive and the HRX FIFO is not full; this operation guarantees that the next received data word will be stored in the FIFO. The $\overline{\text{HREQ}}$ output pin, if enabled for transmit (HRQE1-HRQE0 = 10), is asserted when the IOSR is loaded from HTX with a new data word to transfer. If $\overline{\text{HREQ}}$ is enabled for both transmit and receive (HRQE1-HRQE0 = 11), it is asserted when the receive and transmit conditions are true simultaneously. $\overline{\text{HREQ}}$ is deasserted at the first clock pulse of the next data word transfer. The $\overline{\text{HREQ}}$ line may be used to interrupt the external master. Connecting the $\overline{\text{HREQ}}$ line between two SHI-equipped DSPs, one operating as an SPI master and the other as an SPI slave, enables full hardware handshaking if operating with CPHA = 1.

The $\overline{\text{SS}}$ line should be kept asserted during a data word transfer. If the $\overline{\text{SS}}$ line is deasserted before the end of the data word transfer, the transfer is aborted and the received data word is lost.

5.6.2 SPI Master Mode

The SPI Master mode is initiated by enabling the SHI (HEN = 1), selecting the SPI mode (HI²C = 0), and selecting the Master mode of operation (HMST = 1). Before enabling the SHI as an SPI Master, the programmer should program the proper clock rate, phase, and polarity in HCKR. When configured in the SPI Master mode, the SHI external pins operate as follows:

- SCK/SCL is the SCK serial clock output.
- MISO/SDA is the MISO serial data input.
- MOSI/HA0 is the MOSI serial data output.

- $\overline{SS}/HA2$ is the SS input. It should be kept deasserted (high) for proper operation.
- \overline{HREQ} is the Host Request input.

The external slave can be selected either by using external logic or by activating a GPIO pin connected to its \overline{SS} pin. However, the \overline{SS} input pin of the SPI Master should be held deasserted (high) for proper operation. If the SPI Master \overline{SS} pin is asserted, the Bus Error status bit (HBER) is set. If the Bus error Interrupt Enable (HBIE) bit is also set, the SHI will request an SHI Bus Error interrupt service from the DSP interrupt controller.

In the SPI Master mode the DSP must write to HTX in order to perform a receive, a transmit, or a full-duplex data transfer. Actually, the interface performs simultaneous data receive and transmit. The status bits of both receive and transmit paths are active; however, the programmer may disable undesired interrupts and ignore non-relevant status bits. In a data transfer, the HTX is transferred to IOSR, clock pulses are generated, the IOSR data is shifted out (via MOSI) and received data is shifted in (via MISO). The DSP programmer may write HTX (if the HTDE status bit is set) to initiate the transfer of the next word. The HRX FIFO contains valid receive data, which may be read by the DSP, if the HRNE status bit is set.

It is recommended that an SHI individual reset (HEN cleared) be generated before beginning data reception in order to reset the receive FIFO to its initial (empty) state (e.g., when switching from transmit to receive data).

The \overline{HREQ} input pin is ignored by the SPI master if HRQE[1:0] are cleared, and considered if either of them is set. When asserted by the slave, \overline{HREQ} indicates that the external slave is ready for the next data transfer. As a result, the SPI master sends clock pulses for the full data word transfer. \overline{HREQ} is deasserted by the external slave at the first clock pulse of the new data transfer. When deasserted, \overline{HREQ} will prevent the clock generation of the next data word transfer until it is asserted again. Connecting the \overline{HREQ} line between two SHI-equipped DSPs, one operating as an SPI master and the other as an SPI slave, enables full hardware handshaking if CPHA = 1. For CPHA = 0, \overline{HREQ} should be disabled by clearing HRQE[1:0].

5.6.3 I²C Slave Mode

The I²C Slave mode is entered by enabling the SHI (HEN = 1), selecting the I²C mode (HI²C = 1), and selecting the Slave mode of operation (HMST = 0). In this operational mode the contents of HCKR are ignored. When configured in the I²C Slave mode, the SHI external pins operate as follows:

SHI PROGRAMMING CONSIDERATIONS

- SCK/SCL is the SCL serial clock input.
- MISO/SDA is the SDA open drain serial data line.
- MOSI/HA0 is the HA0 slave address input.
- \overline{SS} /HA2 is the HA2 slave address input.
- \overline{HREQ} is the Host Request output.

When the SHI is enabled and configured in the I²C Slave mode, the SHI controller inspects the SDA and SCL lines to detect a Start event. Upon detection of the Start event, the SHI receives the Slave Address byte and enables the slave address recognition unit. If the Slave Address byte was not identified as its personal address, the SHI controller will fail to acknowledge this byte by not driving low the SDA line at the ninth clock pulse (ACK = 1). However, it continues to poll the SDA and SCL lines to detect a new Start event. If the personal slave address was correctly identified, the Slave Address byte is acknowledged (ACK = 0 is sent) and a receive/transmit session is initiated according to the eighth bit of the received Slave Address byte (the R/ \overline{W} bit).

5.6.3.1 Receive Data in I²C Slave Mode

A receive session is initiated when the personal slave address has been correctly identified and the R/ \overline{W} bit of the received Slave Address byte has been cleared. Following a receive initiation, data in the SDA line is shifted into IOSR MSB first. Following each received byte, an acknowledge (ACK = 0) is sent at the ninth clock pulse via the SDA line. Data is acknowledged byte-wise, as required by the I²C bus protocol, and is transferred to the HRX FIFO when the complete word (according to HM[1:0]) is filled into IOSR. It is the responsibility of the programmer to select the correct number of bytes in an I²C frame so that they fit in a complete number of words. For this purpose, the Slave Address byte does not count as part of the data, and therefore, it is treated separately.

In a receive session, only the receive path is enabled and HTX to IOSR transfers are inhibited. The HRX FIFO contains valid data, which may be read by the DSP if the HRNE status bit is set. When the HRX FIFO is full and IOSR is filled, an overrun error occurs and the HROE status bit is set. In this case, the last received byte will not be acknowledged (ACK = 1 is sent) and the word in the IOSR will not be transferred to the HRX FIFO. This may inform the external I²C master of the occurrence of an overrun error on the slave side. Consequently the I²C master may terminate this session by generating a Stop event.

The \overline{HREQ} output pin, if enabled for receive (HRQE[1:0] = 01), is asserted when the IOSR is ready to receive and the HRX FIFO is not full; this operation guarantees that the next received data word will be stored in the FIFO. \overline{HREQ} is deasserted at the first clock pulse of the next received word. The \overline{HREQ} line may be used to interrupt

the external I²C master. Connecting the $\overline{\text{HREQ}}$ line between two SHI-equipped DSPs, one operating as an I²C master and the other as an I²C slave, enables full hardware handshaking.

5.6.3.2 Transmit Data In I²C Slave Mode

A transmit session is initiated when the personal slave address has been correctly identified and the R/ $\overline{\text{W}}$ bit of the received Slave Address byte has been set. Following a transmit initiation, the IOSR is loaded from HTX (assuming the latter was not empty) and its contents are shifted out, MSB-first, on the SDA line. Following each transmitted byte, the SHI controller samples the SDA line at the ninth clock pulse, and inspects the ACK status. If the transmitted byte was acknowledged (ACK = 0), the SHI controller continues and transmits the next byte. However, if it was not acknowledged (ACK = 1), the transmit session is stopped and the SDA line is released. Consequently, the external master may generate a Stop event in order to terminate the session.

HTX contents are transferred to IOSR when the complete word (according to HM[1:0]) has been shifted out. It is, therefore, the responsibility of the programmer to select the correct number of bytes in an I²C frame so that they fit in a complete number of words. For this purpose, the Slave Address byte does not count as part of the data, and therefore, it is treated separately.

In a transmit session, only the transmit path is enabled and the IOSR-to-HRX FIFO transfers are inhibited. When the HTX transfers its valid data word to IOSR, the HTDE status bit is set and the DSP may write a new data word to HTX. If both IOSR and HTX are empty, an underrun condition occurs, setting the HTUE status bit; if this occurs, the previous word will be retransmitted.

The $\overline{\text{HREQ}}$ output pin, if enabled for transmit (HRQE[1:0] = 10), is asserted when HTX is transferred to IOSR for transmission. When asserted, $\overline{\text{HREQ}}$ indicates that the slave is ready to transmit the next data word. $\overline{\text{HREQ}}$ is deasserted at the first clock pulse of the next transmitted data word. The $\overline{\text{HREQ}}$ line may be used to interrupt the external I²C master. Connecting the $\overline{\text{HREQ}}$ line between two SHI-equipped DSPs, one operating as an I²C master and the other as an I²C slave, enables full hardware handshaking.

5.6.4 I²C Master Mode

The I²C Master mode is entered by enabling the SHI (HEN = 1), selecting the I²C mode (HI²C = 1) and selecting the Master mode of operation (HMST = 1). Before

enabling the SHI as an I²C master, the programmer should program the appropriate clock rate in HCKR.

When configured in the I²C Master mode, the SHI external pins operate as follows:

- SCK/SCL is the SCL serial clock output
- MISO/SDA is the SDA open drain serial data line
- MOSI/HA0 is the HA0 slave address input
- \overline{SS} /HA2 is the HA2 slave address input
- \overline{HREQ} is the Host Request input

In the I²C Master mode, a data transfer session is always initiated by the DSP by writing to the HTX register when HIDLE is set. This condition ensures that the data byte written to HTX will be interpreted as being a Slave Address byte. This data byte must specify the slave address to be selected and the requested data transfer direction. Note that the Slave Address byte should be located in the high portion of the data word, whereas the middle and low portions are ignored. Only one byte (the Slave Address byte) will be shifted out, independent of the word length selected by the HM[1:0] bits.

In order for the DSP to initiate a data transfer the following actions are to be performed:

- The DSP tests the HIDLE status bit.
- If the HIDLE status bit is set, the DSP writes the Slave Address and the R/ \overline{W} bit to the most significant byte of HTX.
- The SHI generates a Start event.
- The SHI transmits one byte only, internally samples the R/ \overline{W} direction bit (last bit), and accordingly initiates a receive or transmit session.
- The SHI inspects the SDA level at the ninth clock pulse to determine the ACK value. If acknowledged (ACK = 0), it starts its receive or transmit session according to the sampled R/ \overline{W} value. If not acknowledged (ACK = 1), the HBER status bit in HCSR is set, which will cause an SHI Bus Error interrupt request if HBIE is set, and a Stop event will be generated.

The \overline{HREQ} input pin is ignored by the I²C master if HRQE1 and HRQE0 are cleared, and considered if either of them is set. When asserted, \overline{HREQ} indicates that the external slave is ready for the next data transfer. As a result, the I²C master sends clock pulses for the full data word transfer. \overline{HREQ} is deasserted by the external slave at the first clock pulse of the next data transfer. When deasserted, \overline{HREQ} will prevent

the clock generation of the next data word transfer until it is asserted again. Connecting the $\overline{\text{HREQ}}$ line between two SHI-equipped DSPs, one operating as an I²C master and the other as an I²C slave, enables full hardware handshaking.

5.6.4.1 Receive Data in I²C Master Mode

A receive session is initiated if the $\text{R}/\overline{\text{W}}$ direction bit of the transmitted Slave Address byte is set. Following a receive initiation, data in SDA line is shifted into IOSR MSB first. Following each received byte, an acknowledge ($\text{ACK} = 0$) is sent at the ninth clock pulse via the SDA line if the HIDLE control bit is cleared. Data is acknowledged byte-wise, as required by the I²C bus protocol, and is transferred to the HRX FIFO when the complete word (according to $\text{HM}[1:0]$) is filled into IOSR. It is the responsibility of the programmer to select the correct number of bytes in an I²C frame so that they fit in a complete number of words. For this purpose, the Slave Address byte does not count as part of the data, and therefore, it is treated separately.

If the I²C slave transmitter is acknowledged, it should transmit the next data byte. In order to terminate the receive session, the programmer should set the HIDLE bit at the last required data word. As a result, the last byte of the next received data word is not acknowledged, the slave transmitter releases the SDA line, and the SHI generates the Stop event and terminates the session.

In a receive session, only the receive path is enabled and the HTX-to-IOSR transfers are inhibited. If the HRNE status bit is set, the HRX FIFO contains valid data, which may be read by the DSP. When the HRX FIFO is full, the SHI suspends the serial clock just before acknowledge. In this case, the clock will be reactivated when the FIFO is read (the SHI gives an $\text{ACK} = 0$ and proceeds receiving) or when HIDLE is set (the SHI gives $\text{ACK} = 1$, generates the Stop event, and ends the receive session).

5.6.4.2 Transmit Data In I²C Master Mode

A transmit session is initiated if the $\text{R}/\overline{\text{W}}$ direction bit of the transmitted Slave Address byte is cleared. Following a transmit initiation, the IOSR is loaded from HTX (assuming HTX is not empty) and its contents are shifted out, MSB-first, on the SDA line. Following each transmitted byte, the SHI controller samples the SDA line at the ninth clock pulse, and inspects the ACK status. If the transmitted byte was acknowledged ($\text{ACK} = 0$), the SHI controller continues transmitting the next byte. However, if it was not acknowledged ($\text{ACK} = 1$), the HBER status bit is set to inform the DSP side that a bus error (or overrun, or any other exception in the slave device) has occurred. Consequently, the I²C master generates a Stop event and terminates the session.

HTX contents are transferred to the IOSR when the complete word (according to $\text{HM}[1:0]$) has been shifted out. It is, therefore, the responsibility of the programmer to select the right number of bytes in an I²C frame so that they fit in a complete number

of words. Remember that for this purpose, the Slave Address byte does not count as part of the data.

In a transmit session, only the transmit path is enabled and the IOSR-to-HRX FIFO transfers are inhibited. When the HTX transfers its valid data word to the IOSR, the HTDE status bit is set and the DSP may write a new data word to HTX. If both IOSR and HTX are empty, the SHI will suspend the serial clock until new data is written into HTX (when the SHI proceeds with the transmit session) or HIDL is set (the SHI reactivates the clock to generate the Stop event and terminate the transmit session).

5.6.5 SHI Operation During Stop

The SHI operation cannot continue when the DSP is in the Stop state, since no DSP clocks are active. While the DSP is in the Stop state, the SHI will remain in the individual reset state.

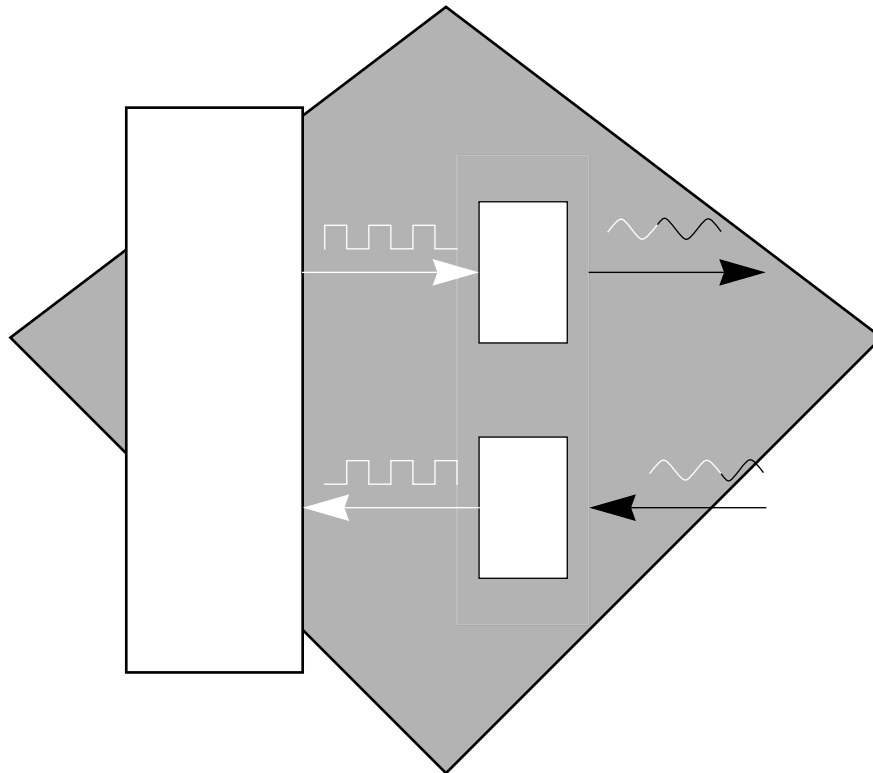
While in the individual reset state:

- SHI input pins are inhibited
- output and bidirectional pins are disabled (high impedance)
- the HCSR status bits and the transmit/receive paths are reset to the same state produced by hardware reset or software reset
- the HCSR and HCKR control bits are not affected

It is recommended that the SHI be disabled before entering the Stop state.

SECTION 6

SERIAL AUDIO INTERFACE



| | | |
|-----|--|------|
| 6.1 | INTRODUCTION | 6-3 |
| 6.2 | SERIAL AUDIO INTERFACE INTERNAL ARCHITECTURE | 6-4 |
| 6.3 | SERIAL AUDIO INTERFACE PROGRAMMING MODEL . . . | 6-8 |
| 6.4 | PROGRAMMING CONSIDERATIONS | 6-24 |

6.1 INTRODUCTION

The DSP communicates with data sources and sinks through its Serial Audio Interface (SAI). The SAI is a synchronous serial interface dedicated for audio data transfers. It provides a full duplex serial port for serial connection with a variety of audio devices such as Analog-to-Digital (A/D) converters, Digital-to-Analog (D/A) converters, CD devices, etc. The SAI implements a wide range of serial data formats currently in use by audio manufacturers. Examples are:

- I²S (Inter Integrated-circuit Sound) format (Philips)
- CDP format (Sony)
- MEC format (Matsushita)
- Most Industry-Standard A/D and D/A

The SAI consists of independent transmit and receive sections and a shared baud-rate generator. The transmitter and receiver sections may each operate in either the Master or Slave mode. In the Master mode the serial clock and the word select lines are driven internally according to the baud-rate generator programming. In the Slave mode these signals are supplied from an external source. The transmitter consists of three transmit-data registers, three fully synchronized output-shift registers, and three serial-data output lines controlled by one transmitter controller. This permits data transmission to one, two, or three stereo audio devices simultaneously. The receiver consists of two receive-data registers, two fully synchronized input-shift registers, and two serial data input lines controlled by one receiver controller. This permits data reception from one or two stereo audio devices simultaneously.

The following is a short list of the SAI features:

- Programmable serial clock generator with high resolution:

$$f_{\text{sck}} = f_{\text{osc}}/2^i \text{ (for } i > 1)$$

- Maximum external serial clock rate equal to one third of the DSP core clock
- Separate transmit and receive sections
- Master or Slave operating modes
- Three synchronized data transmission lines
- Two synchronized data reception lines
- Double-buffered

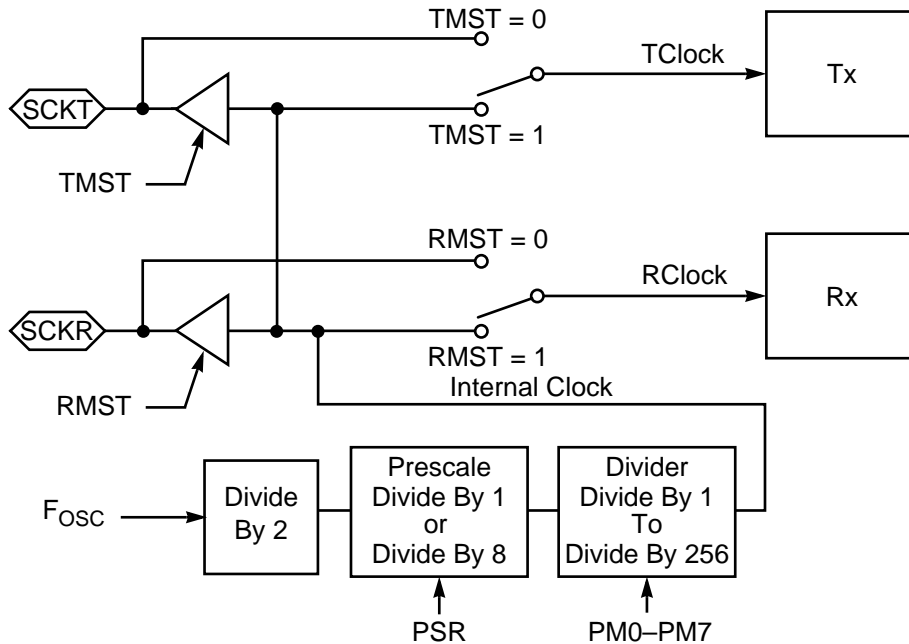
- User programmable to support a wide variety of serial audio formats
- Three receive interrupt vectors: Receive Left Channel, Receive Right Channel, and Receive with Exception
- Three transmit interrupt vectors: Transmit Left Channel, Transmit Right Channel, and Transmit with Exception

6.2 SERIAL AUDIO INTERFACE INTERNAL ARCHITECTURE

The SAI is functionally divided into three parts: the baud-rate generator, the receiver section, and the transmitter section. The receive and transmit sections are completely independent and can operate concurrently or separately. The following paragraphs describe the operation of these sections.

6.2.1 Baud-Rate Generator

The baud-rate generator produces the internal serial clock for the SAI if either or both of the receiver and transmitter sections are configured in the Master mode. The baud-rate generator is disabled if both receiver and transmitter sections are configured as slaves. **Figure 6-1** illustrates the internal clock path connections. The receiver and transmitter clocks can be internal or external depending on the configuration of the Receive Master (RMST) and Transmit Master (TMST) control bits.



AA0427k

Figure 6-1 SAI Baud-Rate Generator Block Diagram

6.2.2 Receive Section Overview

The receive section contains two receivers and consists of a 16-bit control/status register, two 24-bit shift registers, and two 24-bit data registers. These two receivers share the same control mechanism, therefore the bit clock, word select line, and all control signals generated in the receive section simultaneously affect both receivers. The receiver section can be configured as a master driving its bit clock and word select lines from the internal baud-rate generator, or as a slave receiving these signals from an external source. When both receivers are disabled, the receive controller becomes idle, the status bits RLDF and RRDF (see **Section 6.3.2 Receiver Control/Status Register (RCS)**, below) are cleared, and the receive section external pins are tri-stated. The block diagram of the receiver section is shown in **Figure 6-2**.

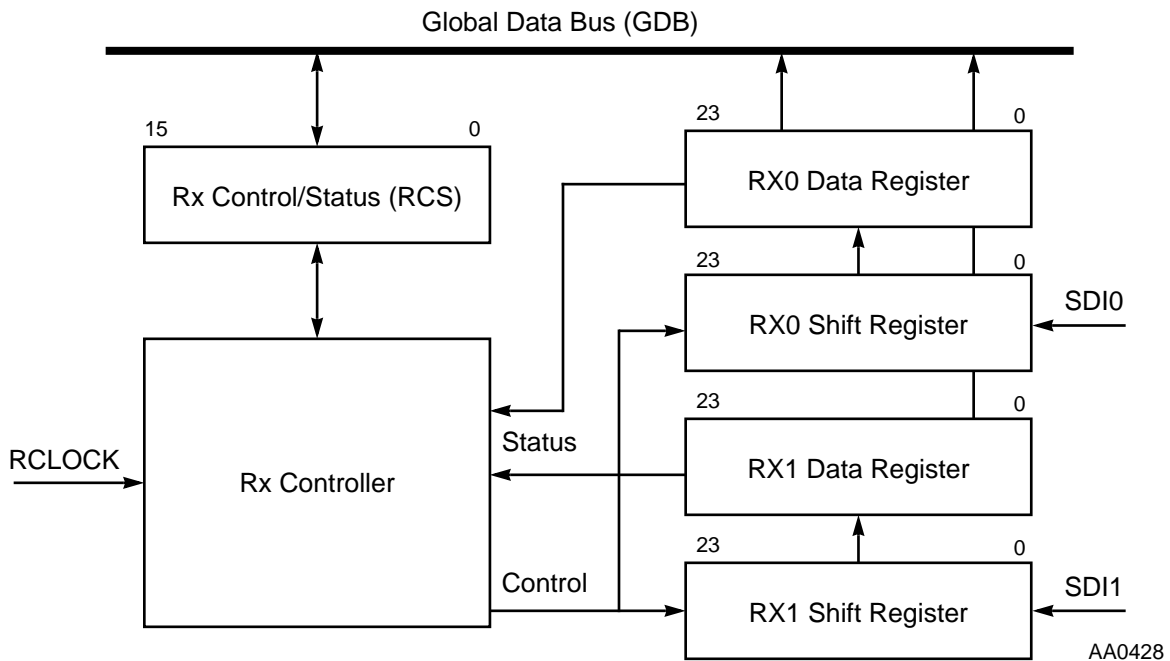


Figure 6-2 SAI Receive Section Block Diagram

The 24-bit shift registers receive the incoming data from the Serial Data In pins (SDI0 and SDI1, or SDIx). Data is shifted in at the transitions of the serial receive clock SCKR. Data is assumed to be received MSB first if RDIR is cleared, and LSB first if RDIR is set. Data is transferred to the SAI receive data registers after 16, 24, or 32 bits have been shifted in, as determined by the word length control bits RWL1 and RWL0. A special control mechanism is used to emulate a 32-bit shift register in the event that the word length is defined as 32 bits. This is done by disabling eight data shifts at the beginning/end of the data word transfer, according to the RDWT bit in the RCS register. These shift registers cannot be directly accessed by the DSP.

6.2.3 SAI Transmit Section Overview

The transmit section contains three transmitters and consists of a 16-bit control/status register, three 24-bit shift registers, and three 24-bit data registers. These three transmitters are controlled by the same control mechanism, therefore, the bit clock, word select line, and all control signals generated in the transmit section equally affect all three transmitters. The transmit section can be configured as a master driving its bit clock and word select lines from the internal baud-rate generator, or as a slave receiving these signals from an external source. Each of the three transmitters can be enabled separately. When a transmitter is disabled, its associated Serial Data Out (SDO) pin goes to high level. When all transmitters are disabled, the transmit controller becomes idle, the status bits TRDE and TLDE are cleared, and the transmit section external pins, Word Select Transmit (WST) and Serial Clock Transmit (SCKT), are tri-stated. The transmitter section is illustrated in **Figure 6-3**.

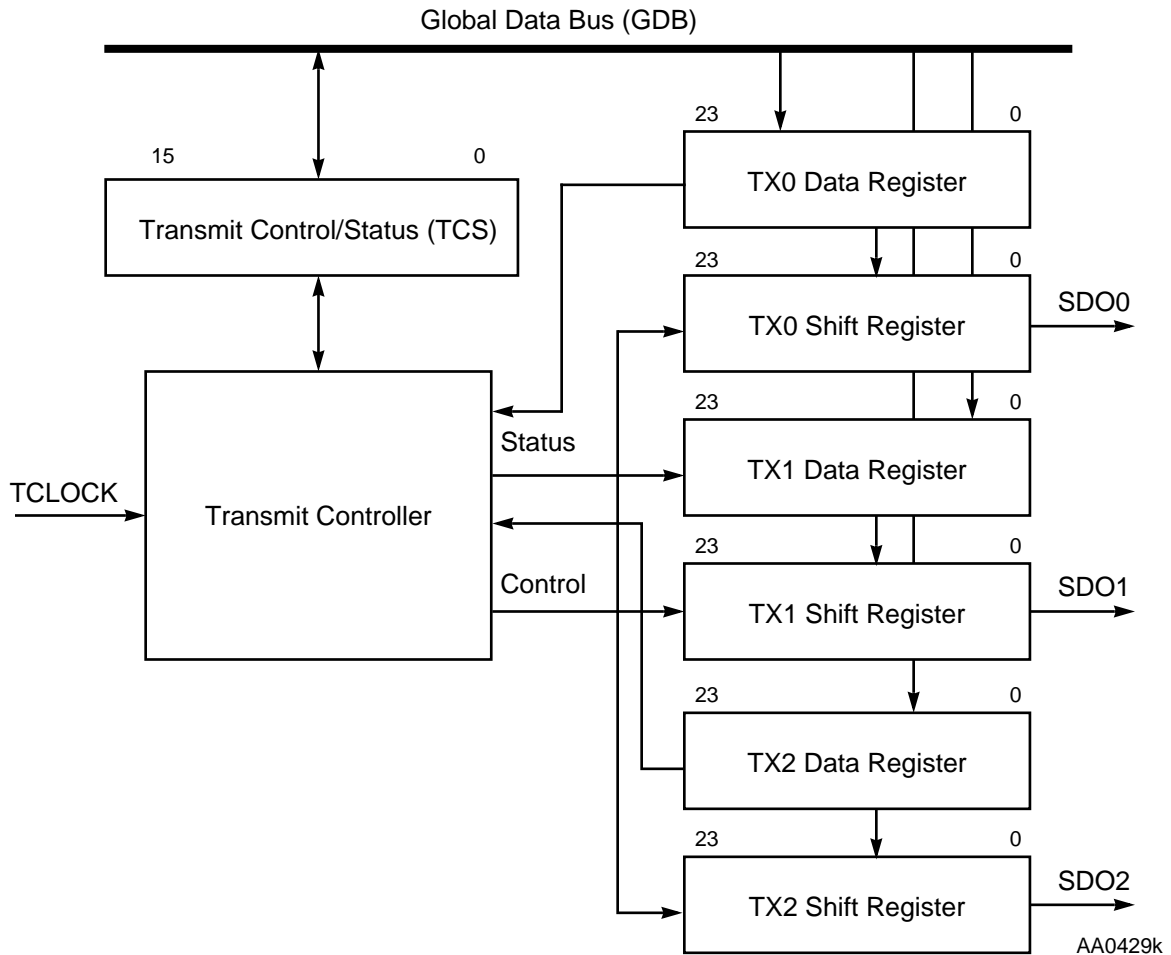
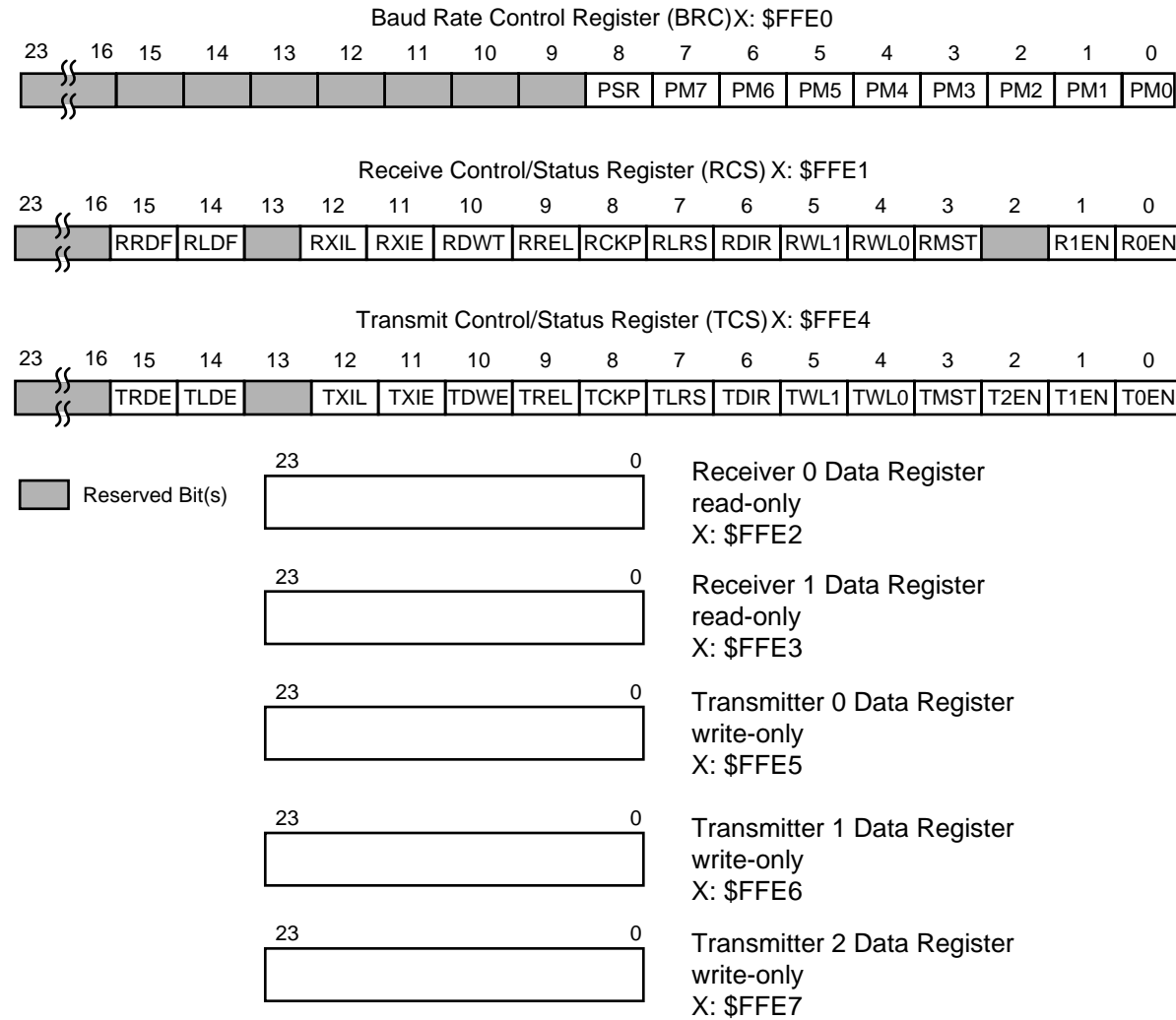


Figure 6-3 SAI Transmit Section Block Diagram

The transmitter section data path consists of three fully synchronized sets of data and shift registers capable of operating simultaneously. In each set, the 24-bit shift register contains the data being transmitted. Data is shifted out to the associated SDO pin at the transitions of the serial transmit clock SCKT. Data is shifted out MSB first if TDIR is cleared, and LSB first if TDIR is set. The number of bits shifted out before the shift register is considered empty and ready to be reloaded can be 16, 24, or 32 bits as determined by the TWL1 and TWL0 control bits in the TCS register. A special control mechanism is used to emulate a 32-bit shift register if the word length is defined as 32 bits. This is done by enabling eight data shifts at the beginning/end of the data word transfer, according to the TDWE bit in the TCS register. These shift registers cannot be directly accessed by the DSP.

6.3 SERIAL AUDIO INTERFACE PROGRAMMING MODEL

The Serial Audio Interface registers that are available to the programmer are shown in **Figure 6-4**. The registers are described in the following paragraphs.



AA0430k

Figure 6-4 SAI Registers

The SAI interrupt vectors can be located in either of two different regions in memory. The transmit interrupt vector locations are controlled by TXIL bit in the Transmit Control Status (TCS) register. Similarly, the receive interrupt vector locations are controlled by RXIL bit in the Receive Control Status (RCS) register. The interrupt vector locations for the SAI are shown in **Table 6-1**. The interrupts generated by the SAI are prioritized as shown in **Table 6-2**.

Table 6-1 SAI Interrupt Vector Locations

| Interrupt | TXIL = 0 | TXIL = 1 | RXIL = 0 | RXIL = 1 |
|------------------------|-----------|-----------|-----------|-----------|
| Left Channel Transmit | P: \$0010 | P: \$0040 | — | — |
| Right Channel Transmit | P: \$0012 | P: \$0042 | — | — |
| Transmit Exception | P: \$0014 | P: \$0044 | — | — |
| Left Channel Receive | — | — | P: \$0016 | P: \$0046 |
| Right Channel Receive | — | — | P: \$0018 | P: \$0048 |
| Receive Exception | — | — | P: \$001A | P: \$004A |

Table 6-2 SAI Internal Interrupt Priorities

| Priority | Interrupt |
|----------|----------------------------|
| Highest | SAI Receive |
| | SAI Transmit |
| | SAI Left Channel Receive |
| | SAI Left Channel Transmit |
| | SAI Right Channel Receive |
| Lowest | SAI Right Channel Transmit |

6.3.1 Baud Rate Control Register (BRC)

The serial clock frequency is determined by the control bits in the Baud Rate Control register (BRC) as described in the following paragraphs. The BRC is illustrated in **Figure 6-4** on page 6-8. The maximum allowed internally generated bit clock frequency is $f_{osc}/4$ and the maximum allowed external bit clock frequency is $f_{osc}/3$. BRC bits should be modified only when the baud-rate generator is disabled (i.e., when both receiver and transmitter sections are defined as slaves or when both are in the individual reset state); otherwise improper operation may result. When read by the DSP, the BRC appears on the two low-order bytes of the 24-bit word, and the high-order byte is read as 0s. The BRC is cleared during hardware reset and software reset.

6.3.1.1 Prescale Modulus select (PM[7:0])—Bits 7–0

The PM[7:0] bits specify the divide ratio of the prescale divider in the SAI baud-rate generator. A divide ratio between 1 and 256 (PM[7:0] = \$00 to \$FF) may be selected. The PM[7:0] bits are cleared during hardware reset and software reset.

Note: The programmer should not use the combination PSR = 1 and PM[7:0] = 00000000, since it may cause synchronization problems and improper operation (it is considered an illegal combination).

6.3.1.2 Prescaler Range (PSR)—Bit 8

The Prescaler Range (PSR) bit controls a fixed divide-by-eight prescaler connected in series with the variable prescale divider. This bit is used to extend the range of the prescaler for those cases in which a slower clock rate is desired. When PSR is set, the fixed prescaler is bypassed. When PSR is cleared, the fixed divide-by-eight prescaler is operational. The PSR bit is cleared during hardware reset and software reset.

6.3.1.3 BRC Reserved Bits—Bits 15–9

Bits 15–9 in the BRC are reserved and unused. They read as 0s and should be written with 0s for future compatibility.

6.3.2 Receiver Control/Status Register (RCS)

The Receiver Control/Status register (RCS) is a 16-bit read/write control/status register used to direct the operation of the receive section in the SAI (see **Figure 6-4** on page 6-8). The control bits in the RCS determine the serial format of the data transfers, whereas the status bits of the RCS are used by the DSP programmer to interrogate the status of the receiver. Receiver-enable and interrupt-enable bits are also provided in the RCS. When read by the DSP, the RCS appears on the two low-order bytes of the 24-bit word, and the high-order byte is read as 0s. Hardware reset and software reset clear all the bits in the RCS. If both R0EN and R1EN bits are cleared, the receiver section is disabled and it enters the individual reset state. The individual reset state is entered 1 instruction cycle after bits R0EN and R1EN are cleared. While in the Stop or individual reset state, the status bits in RCS are also cleared. Stop or individual reset do not affect the RCS control bits. The programmer should change the RCS control bits (except for RXIE) only while the receiver section is in the individual reset state (i.e., disabled), otherwise improper operation may result. The RCS bits are described in the following paragraphs.

6.3.2.1 RCS Receiver 0 Enable (R0EN)—Bit 0

The read/write Receiver 0 Enable (R0EN) control bit enables the operation of SAI Receiver 0. When R0EN is set, Receiver 0 is enabled. When R0EN is cleared, Receiver 0 is disabled. If both R0EN and R1EN are cleared, the receiver section is disabled,

which is equivalent to the individual reset state. The R0EN bit is cleared during hardware reset and software reset.

6.3.2.2 RCS Receiver 1 Enable (R1EN)—Bit 1

The read/write Receiver 1 Enable (R1EN) control bit enables the operation of SAI Receiver 1. When R1EN is set, Receiver 1 is enabled. When R1EN is cleared, Receiver 1 is disabled. If both R0EN and R1EN are cleared, the receiver section is disabled, which is equivalent to the individual reset state. The R1EN bit is cleared during hardware reset and software reset.

6.3.2.3 RCS Reserved Bit—Bits 13 and 2

Bits 13 and 2 in the RCS are reserved and unused. They read as 0s and should be written with 0s for future compatibility.

6.3.2.4 RCS Receiver Master (RMST)—Bit 3

The read/write control bit Receiver Master (RMST) switches the operation of the receiver section between Master and Slave modes. When RMST is set, the SAI receiver section is configured as a master. In the Master mode the receiver drives the SCKR and WSR pins. When RMST is cleared, the SAI receiver section is configured as a slave. In the Slave mode, the SCKR and WSR pins are driven from an external source. The RMST bit is cleared during hardware reset and software reset.

6.3.2.5 RCS Receiver Word Length Control (RWL[1:0])—Bits 4 and 5

The read/write Receiver Word Length (RWL[1:0]) control bits are used to select the length of the data words received by the SAI. The data word length is defined by the number of serial clock cycles between two edges of the word select signal. Word lengths of 16, 24, or 32 bits may be selected as shown in **Table 6-3**.

Table 6-3 Receiver Word Length Control

| RWL1 | RWL0 | Number of Bits/Word |
|------|------|---------------------|
| 0 | 0 | 16 |
| 0 | 1 | 24 |
| 1 | 0 | 32 |
| 1 | 1 | Reserved |

The receive data registers are always loaded with 24 bits when a new data word arrives. If the 16-bit word length is selected, the received 16-bit data word will be placed in the 16 most significant bits of the receive data register, independent of the Receiver data shift Direction bit (RDIR, see below), while the 8 least significant bits of the receive data register are cleared. If a 32-bit word length is selected, 8 bits are

discarded according to the Receiver Data Word Truncation (RDWT) control bit (see below). RWL[1:0] are also used to generate the word select indication when the receiver section is configured as master (RMST = 1). The RWL[1:0] bits are cleared during hardware reset and software reset.

6.3.2.6 RCS Receiver Data Shift Direction (RDIR)—Bit 6

The read/write Receiver data shift Direction (RDIR) control bit selects the shift direction of the received data. When RDIR is cleared, receive data is shifted in most significant bit first. When RDIR is set, the data is shifted in least significant bit first (see **Figure 6-5**). The RDIR bit is cleared during hardware reset and software reset.

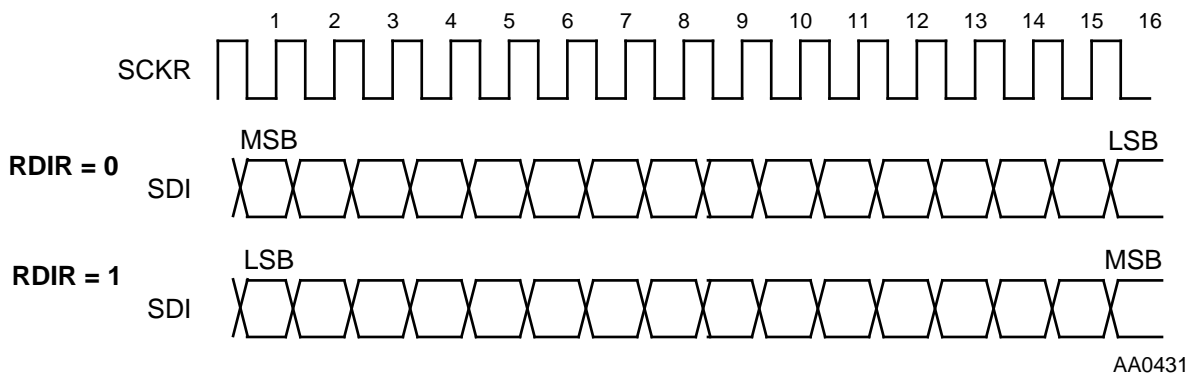


Figure 6-5 Receiver Data Shift Direction (RDIR) Programming

6.3.2.7 RCS Receiver Left Right Selection (RLRS)—Bit 7

The read/write Receiver Left Right Selection (RLRS) control bit selects the polarity of the Receiver Word Select (WSR) signal that identifies the Left or Right word in the input bit stream. When RLRS is cleared, WSR low identifies the Left data word and WSR high identifies the Right data word. When RLRS is set, WSR high identifies the Left data word and WSR low identifies the Right data word (see **Figure 6-6**). The RLRS bit is cleared during hardware reset and software reset.

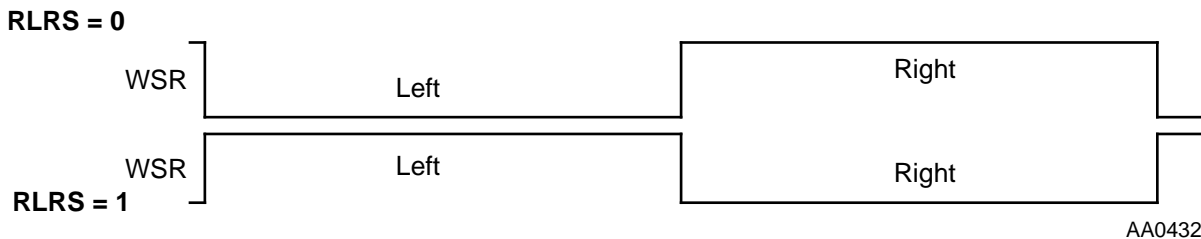


Figure 6-6 Receiver Left/Right Selection (RLRS) Programming

6.3.2.8 RCS Receiver Clock Polarity (RCKP)—Bit 8

The read/write Receiver Clock Polarity (RCKP) control bit selects the polarity of the receiver serial clock. When RCKP is cleared, the receiver clock polarity is negative. When RCKP is set, the receiver clock polarity is positive. Negative polarity means that the Word Select Receive (WSR) and Serial Data In (SDIx) lines change synchronously with the negative edge of the clock, and are considered valid during positive transitions of the clock. Positive polarity means that the WSR and SDIx lines change synchronously with the positive edge of the clock, and are considered valid during negative transitions of the clock (see **Figure 6-7**). The RCKP bit is cleared during hardware reset and software reset.

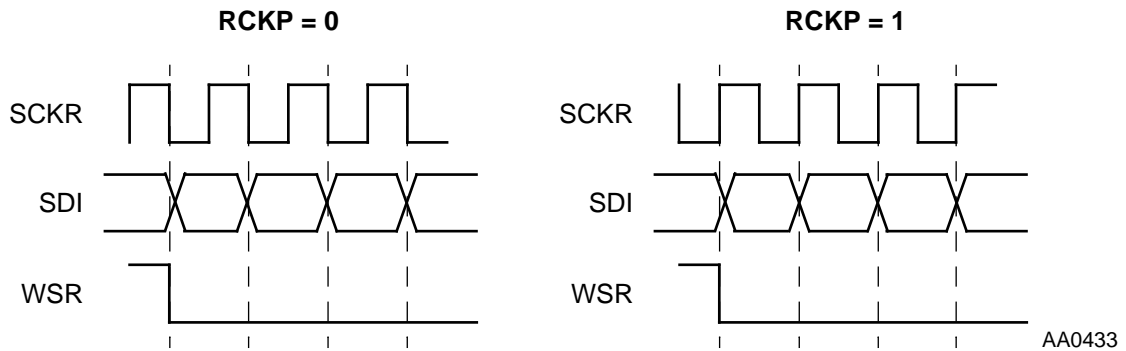


Figure 6-7 Receiver Clock Polarity (RCKP) Programming

6.3.2.9 RCS Receiver Relative Timing (RREL)—Bit 9

The read/write Receiver Relative timing (RREL) control bit selects the relative timing of the Word Select Receive (WSR) signal as referred to the serial data input lines (SDIx). When RREL is cleared, the transition of WSR, indicating start of a data word, occurs together with the first bit of that data word. When RREL is set, the transition of WSR occurs one serial clock cycle earlier (together with the last bit of the previous data word), as required by the I²S format (see **Figure 6-8**). The RREL bit is cleared during hardware reset and software reset.

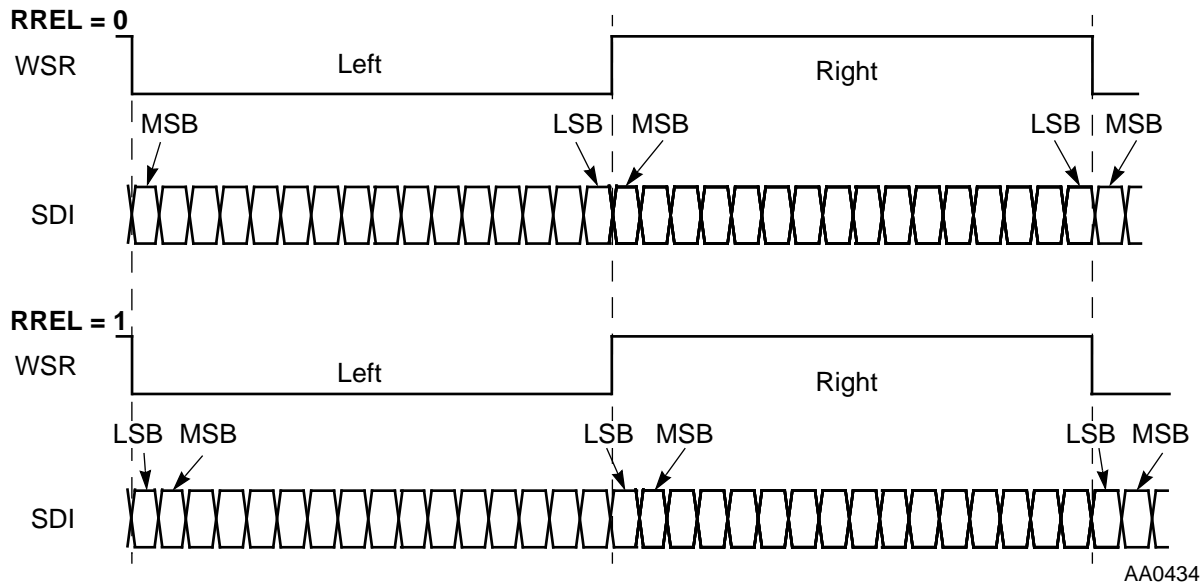


Figure 6-8 Receiver Relative Timing (RREL) Programming

6.3.2.10 RCS Receiver Data Word Truncation (RDWT)—Bit 10

The read/write Receiver Data Word Truncation (RDWT) control bit selects which 24-bit portion of a received 32-bit word will be transferred from the shift register to the data register. When RDWT is cleared, the first 24 bits received are transferred to the data register. When RDWT is set, the last 24 bits received are transferred to the data register. The RDWT bit is ignored if RWL[1:0] are set for a word length other than 32 bits (see Figure 6-9 on page 6-14). The RDWT bit is cleared during hardware reset and software reset.

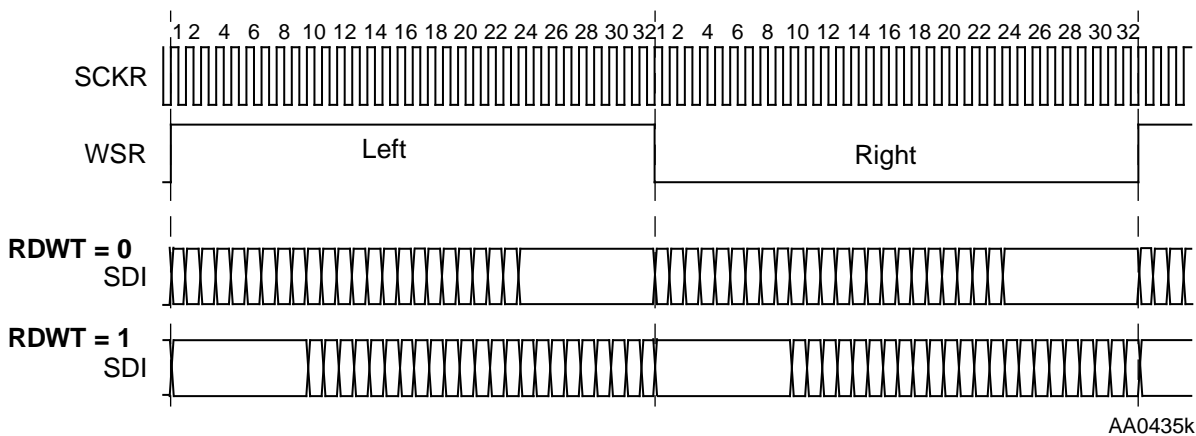


Figure 6-9 Receiver Data Word Truncation (RDWT) Programming

6.3.2.11 RCS Receiver Interrupt Enable (RXIE)—Bit 11

When the read/write Receiver Interrupt Enable (RXIE) control bit is set, receiver interrupts for both left and right data words are enabled, and the DSP is interrupted if either the RLDF or RRDF status bit is set. When RXIE is cleared, receiver interrupts are disabled, however, RLDF and RRDF bits still indicate the receive data register full conditions and can be polled for status. Note that clearing RXIE will mask a pending receiver interrupt only after a one-instruction-cycle delay. If RXIE is cleared in a long interrupt service routine, it is recommended that at least one other instruction should be inserted between the instruction that clears RXIE and the RTI instruction at the end of the interrupt service routine.

There are three different receive data interrupts that have separate interrupt vectors:

1. Left Channel Receive interrupt is generated when $RXIE = 1$, $RLDF = 1$, and $RRDF = 0$.
2. Right Channel Receive interrupt is generated when $RXIE = 1$, $RLDF = 0$, and $RRDF = 1$.
3. Receive interrupt with exception (overflow) is generated when $RXIE = 1$, $RLDF = 1$, and $RRDF = 1$. This means that the previous data in the receive data register was lost and an overflow occurred.

To clear RLDF or RRDF during Left or Right channel interrupt service, the receive data registers of the enabled receivers must be read. Clearing RLDF or RRDF will clear the respective interrupt request. If the “Receive interrupt with exception” indication is signaled ($RLDF = RRDF = 1$) then RLDF and RRDF are both cleared by reading the RCS register, followed by reading the receive data register of the enabled receivers.

Note: Receivers 0 and 1 share the same controller. This means that the enabled receivers will be operating in parallel and any interrupt signaled will indicate a condition on all enabled receive data registers. The RXIE bit is cleared during hardware reset and software reset.

6.3.2.12 RCS Receiver Interrupt Location (RXIL)—Bit 12

The read/write Receiver Interrupt Location (RXIL) control bit determines the location of the receiver interrupt vectors. When $RXIL = 0$, the Left Channel Receiver, the Right Channel Receiver and the Receiver Exception interrupt vectors are located in Program addresses \$16, \$18, and \$1A, respectively. When $RXIL = 1$, the Left Channel Receiver, the Right Channel Receiver and the Receiver Exception interrupt vectors are located in program addresses \$46, \$48, and \$4A, respectively. The RXIL bit is cleared during hardware reset and software reset. Refer to **Table 6-1** on page 6-9.

6.3.2.13 RCS Receiver Left Data Full (RLDF)—Bit 14

Receiver Left Data Full (RLDF) is a read-only status bit that, together with RRDF (see below), indicates the status of the enabled receive data registers. RLDF is set when the left data word (as indicated by WSR pin and the RLRS bit in the RCS) is transferred to the receive data registers after it was shifted in via the shift register of the enabled receiver. Since audio data samples are composed of left and right data words that are read alternately, normal operation of the receivers occurs when either RLDF or RRDF is set, in a corresponding alternating sequence. A receive overrun condition is indicated when both RLDF and RRDF are set. RLDF is cleared when the DSP reads the receive data register of the enabled receiver, provided that $(RLDF \oplus RRDF = 1)$. In case of a receive overrun condition, $(RLDF \bullet RRDF = 1)$, RLDF is cleared by first reading the RCS, followed by reading the receive data register of the enabled receivers. RLDF is also cleared by hardware and software reset, when the DSP is in the Stop state, and when all receivers are disabled (R0EN and R1EN cleared). If RXIE is set, an interrupt request will be issued when RLDF is set. The vector of the interrupt request will depend on the state of the receive overrun condition. The RLDF bit is cleared during hardware reset and software reset.

6.3.2.14 RCS Receiver Right Data Full (RRDF)—Bit 15

Receiver Right Data Full (RRDF) is a read-only status bit which, in conjunction with RLDF, indicates the status of the enabled receive data register. RRDF is set when the right data word (as indicated by the WSR pin and the RLRS bit in RCS) is transferred to the receive data registers after being shifted in via the shift register of the enabled receiver. Since audio data samples are composed of left and right data words that are read alternately, normal operation of the receivers occurs when either RLDF or RRDF is set, in a corresponding alternating sequence. A receive overrun condition is indicated when both RLDF and RRDF are set. RRDF is cleared when the DSP reads the receive data register of the enabled receiver, provided that $(RLDF \oplus RRDF = 1)$. In case of a receive overrun condition, $(RLDF \bullet RRDF = 1)$, RRDF is cleared by first reading the RCS, followed by reading the receive data register of the enabled receiver. RRDF is also cleared by hardware reset and software reset, when the DSP is in the Stop state, and when all receivers are disabled (R0EN and R1EN cleared). If RXIE is set, an interrupt request will be issued when RRDF is set. The vector of the interrupt request will depend on the state of the receive overrun condition. The RRDF bit is cleared during hardware reset and software reset.

6.3.3 SAI Receive Data Registers (RX0 and RX1)

The Receive data registers (RX0 and RX1) are 24-bit read-only registers that accept data from the receive shift registers when all bits of the incoming data words have been received. The receive data registers alternately contain left-channel and right-channel data. The first data to appear in the data registers, after enabling operation of the respective receivers, will be the data for the left channel.

6.3.4 Transmitter Control/Status Register (TCS)

The TCS is a 16-bit read/write control/status register used to direct the operation of the transmit section in the SAI. The TCS register is shown in **Figure 6-4** on page 6-8. The control bits in the TCS determine the serial format of the data transfers. The status bits of the TCS are used by the DSP programmer to interrogate the status of the transmitter section. Separate transmit enable and interrupt enable bits are also provided in the TCS. When read by the DSP, the TCS appears on the two low-order bytes of the 24-bit word, and the high-order byte is read as 0s. Hardware reset and software reset clear all the bits in TCS. When the T0EN, T1EN, and T2EN bits are cleared, the SAI transmitter section is disabled and it enters the individual reset state after a one instruction cycle delay. While in the Stop or individual reset state, the status bits in TCS are cleared. Stop or individual reset do not affect the TCS control bits. The programmer should change TCS control bits (except for TXIE) only while the transmitter section is in the individual reset state, otherwise improper operation may result. The TCS bits are described in the following paragraphs.

6.3.4.1 TCS Transmitter 0 Enable (T0EN)—Bit 0

The read/write control bit T0EN enables the operation of the SAI Transmitter 0. When T0EN is set, Transmitter 0 is enabled. When T0EN is cleared, Transmitter 0 is disabled and the SDO0 line is set to high level. If T0EN, T1EN, and T2EN are cleared, the SAI transmitter section is disabled and enters the individual reset state. The T0EN bit is cleared during hardware reset and software reset.

6.3.4.2 TCS Transmitter 1 Enable (T1EN)—Bit 1

The read/write control bit T1EN enables the operation of the SAI Transmitter 1. When T1EN is set, Transmitter 1 is enabled. When T1EN is cleared, Transmitter 1 is disabled and the SDO1 line is set to high level. If T0EN, T1EN and T2EN are cleared, the SAI transmitter section is disabled and enters the individual reset state. The T1EN bit is cleared during hardware reset and software reset.

6.3.4.3 TCS Transmitter 2 Enable (T2EN)—Bit 2

The read/write control bit T2EN enables the operation of the SAI Transmitter 2. When T2EN is set, Transmitter 2 is enabled. When T2EN is cleared, Transmitter 2 is disabled and the SDO2 line is set to high level. If T0EN, T1EN, and T2EN are cleared, the SAI transmitter section is disabled and enters the individual reset state. The T2EN bit is cleared during hardware reset and software reset.

6.3.4.4 TCS Transmitter Master (TMST)—Bit 3

The read/write control bit Transmitter Master (TMST) determines whether the transmitter section operates in the Master or Slave mode. When TMST is set, the SAI transmit section is configured as master. In the Master mode the transmitter drives the SCKT and WST pins. When TMST is cleared, the SAI transmitter section is configured as a slave. In the Slave mode, the SCKT and WST pins are driven from an external source. The TMST bit is cleared during hardware reset and software reset.

6.3.4.5 TCS Transmitter Word Length Control (TWL[1:0])—Bits 4 & 5

The read/write control bits Transmitter Word Length (TWL[1:0]) are used to select the length of the data words transmitted by the SAI. The data word length is defined by the number of serial clock cycles between two edges of the word select signal. Word lengths of 16, 24, or 32 bits may be selected as shown in **Table 6-4**.

Table 6-4 Transmitter Word Length

| TWL1 | TWL0 | Number of Bits per Word |
|------|------|-------------------------|
| 0 | 0 | 16 |
| 0 | 1 | 24 |
| 1 | 0 | 32 |
| 1 | 1 | Reserved |

If the 16-bit word length is selected, the 16 MSBs of the transmit data registers will be transmitted according to the data shift direction selected (see TDIR bit, below). If 32-bit word length is selected, the 24-bit data word from the transmit data register is expanded to 32 bits according to the TDWE control bit (see TDWE, below). TWL[1:0] are also used to generate the word select indication when the transmitter is configured as master (TMST = 1). The TWL[1:0] bits are cleared during hardware reset and software reset.

6.3.4.6 TCS Transmitter Data Shift Direction (TDIR)—Bit 6

The read/write Transmitter data shift Direction (TDIR) control bit selects the shift direction of the transmitted data. When TDIR is cleared, transmit data is shifted out MSB first. When TDIR is set, the data is shifted out LSB first (see **Figure 6-10**). The TDIR bit is cleared during hardware reset and software reset.

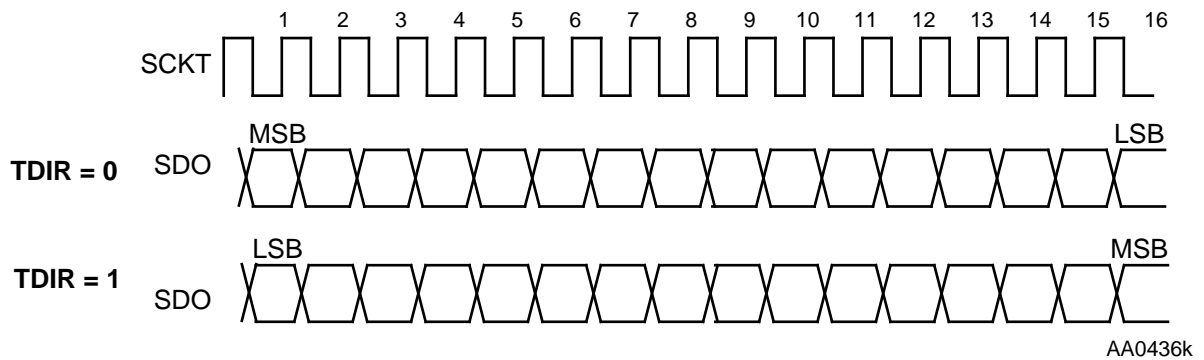


Figure 6-10 Transmitter Data Shift Direction (TDIR) Programming

6.3.4.7 TCS Transmitter Left Right Selection (TLRS)—Bit 7

The read/write Transmitter Left Right Selection (TLRS) control bit switches the polarity of the Word Select Transmit (WST) signal that identifies the left or right word in the output bit stream. When TLRS is cleared, WST low identifies the left data word and WST high identifies the right data word. When TLRS is set, WST high identifies the left data word and WST low identifies the right data word (see Figure 6-11). The TLRS bit is cleared during hardware reset and software reset.

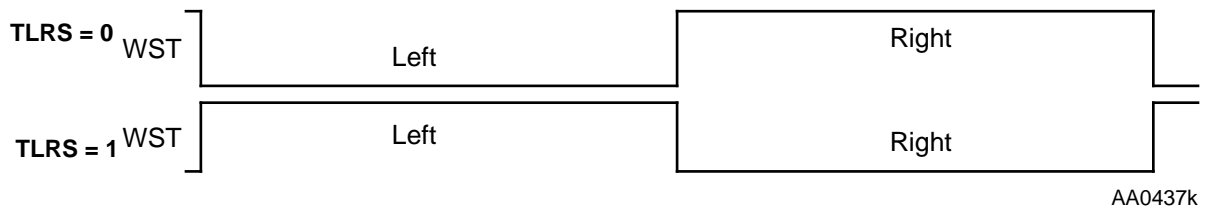


Figure 6-11 Transmitter Left/Right Selection (TLRS) Programming

6.3.4.8 TCS Transmitter Clock Polarity (TCKP)—Bit 8

The read/write Transmitter Clock Polarity (TCKP) control bit switches the polarity of the transmitter serial clock. When TCKP is cleared, the transmitter clock polarity is negative. Negative polarity means that the Word Select Transmit (WST) and Serial Data Out (SDOx) lines change synchronously with the negative edge of the clock, and are considered valid during positive transitions of the clock. When TCKP is set, the transmitter clock polarity is positive. Positive polarity means that the WST and SDOx lines change synchronously with the positive edge of the clock, and are considered valid during negative transitions of the clock (see Figure 6-12). The TCKP bit is cleared during hardware reset and software reset.

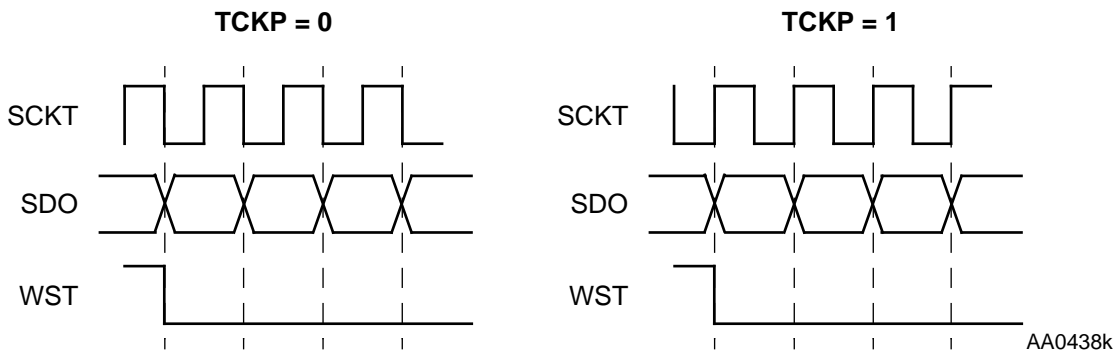


Figure 6-12 Transmitter Clock Polarity (TCKP) Programming

6.3.4.9 TCS Transmitter Relative Timing (TREL)—Bit 9

The read/write Transmitter Relative timing (TREL) control bit selects the relative timing of the WST signal as referred to the serial data output lines (SDO_x). When TREL is cleared, the transition of WST, indicating the start of a data word, occurs together with the first bit of that data word. When TREL is set, the transition of WST occurs one serial clock cycle earlier (together with the last bit of the previous data word), as required by the I²S format (see Figure 6-13). The TREL bit is cleared during hardware reset and software reset.

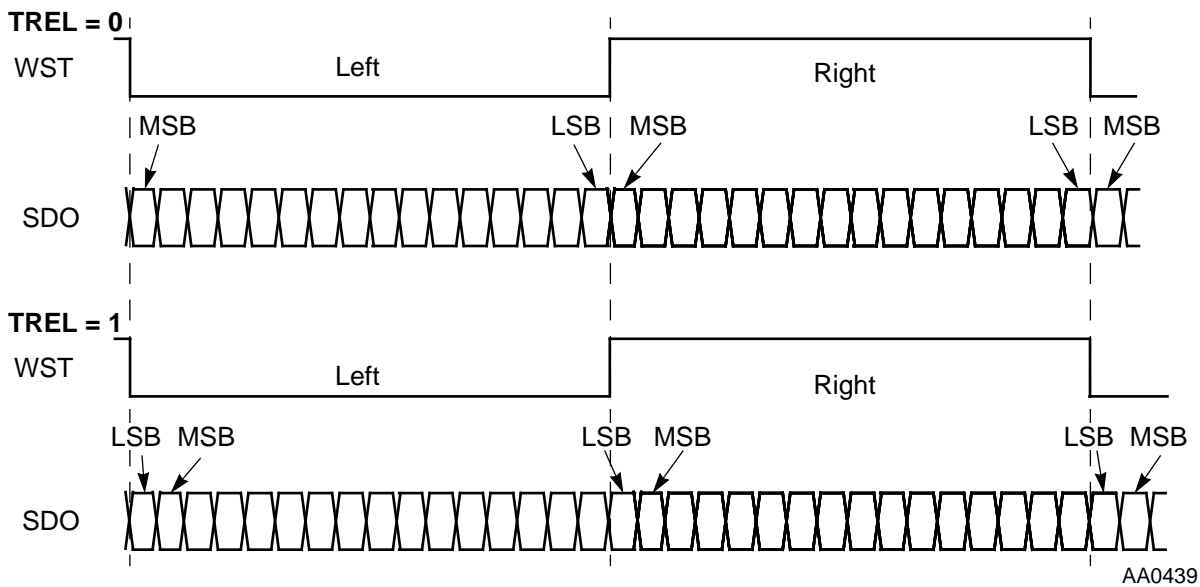


Figure 6-13 Transmitter Relative Timing (TREL) Programming

6.3.4.10 TCS Transmitter Data Word Expansion (TDWE)—Bit 10

The read/write Transmitter Data Word Expansion (TDWE) control bit selects the method used to expand a 24-bit data word to 32 bits during transmission. When TDWE is cleared, after transmitting the 24-bit data word from the transmit data

register, the last bit is transmitted eight times. When TDWE is set, the first bit is transmitted 8 times and then the 24-bit data word from the transmit data register is transmitted. The TDWE bit is ignored if TWL[1:0] are set for a word length other than 32 bits (see **Figure 6-14**). The TDWE bit is cleared during hardware reset and software reset.

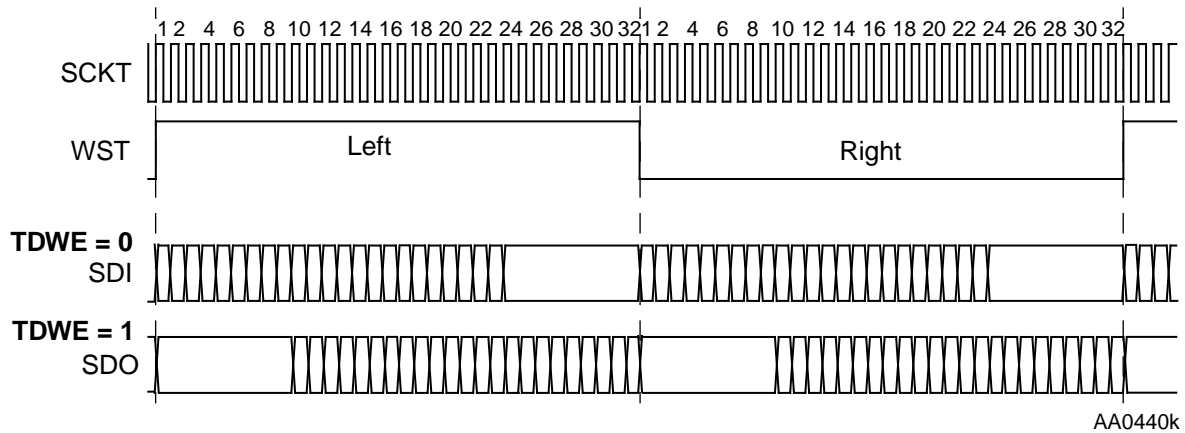


Figure 6-14 Transmitter Data Word Expansion (TDWE) Programming

6.3.4.11 TCS Transmitter Interrupt Enable (TXIE)—Bit 11

When the read/write Transmitter Interrupt Enable (TXIE) control bit is set, transmitter interrupts for both left and right data words are enabled, and the DSP is interrupted if either the TLDE or TRDE status bit is set. When TXIE is cleared, transmitter interrupts are disabled. However, the TLDE and TRDE bits still signal the transmit data register empty conditions. Clearing TXIE will mask a pending transmitter interrupt only after a one-instruction-cycle delay. If TXIE is cleared in a long interrupt service routine, it is recommended that at least one other instruction should be inserted between the instruction that clears TXIE and the RTI instruction at the end of the interrupt service routine.

There are three different transmit data interrupts that have separate interrupt vectors:

1. Left Channel Transmit interrupt is generated when TXIE = 1, TLDE = 1, and TRDE = 0. The transmit data registers should be loaded with the left data words.
2. Right Channel Transmit interrupt is generated when TXIE = 1, TLDE = 0, and TRDE = 1. The transmit data registers should be loaded with the right data words.
3. Transmit interrupt with exception (underrun) is generated when TXIE = 1, TLDE = 1, and TRDE = 1. This means that old data is being retransmitted.

To clear TLDE or TRDE during left or right channel interrupt service, the transmit data registers of the enabled transmitters must be written. Clearing TLDE or TRDE will clear the respective interrupt request. If the “Transmit interrupt with exception” indication is signaled (TLDE = TRDE = 1) then TLDE and TRDE are both cleared by reading the TCS register, followed by writing to the transmit data register of the enabled transmitters.

Note: Transmitters 0, 1, and 2 share the same controller. This means that the enabled transmitters will be operating in parallel and any interrupt that is signaled will indicate a condition on all enabled transmit data registers. The TXIE bit is cleared during hardware reset and software reset.

6.3.4.12 TCS Transmitter Interrupt Location (TXIL)—Bit 12

The read/write Transmitter Interrupt Location (TXIL) control bit selects the location of the transmitter interrupt vectors. When TXIL = 0, the Left Channel Transmitter, the Right Channel Transmitter, and the Transmitter Exception interrupt vectors are located in program addresses \$10, \$12, and \$14, respectively. When TXIL = 1, the Left Channel Transmitter, the Right Channel Transmitter, and the Transmitter Exception interrupt vectors are located in program addresses \$40, \$42, and \$44, respectively. The TXIL bit is cleared during hardware reset and software reset. Refer to **Table 6-1** on page 6-9.

6.3.4.13 TCS Reserved Bit—Bit 13

Bit 13 in TCS is reserved and unused. It is read as 0s and should be written with 0 for future compatibility.

6.3.4.14 TCS Transmitter Left Data Empty (TLDE)—Bit 14

Transmitter Left Data Empty (TLDE) is a read-only status bit that, in conjunction with TRDE, indicates the status of the enabled transmit data registers. TLDE is set when the right data words (as indicated by the TLRS bit in TCS) are simultaneously transferred from the transmit data registers to the transmit shift registers in the enabled transmitters. This means that the transmit data registers are now free to be loaded with the left data words. Since audio data samples are composed of left and right data words that are transmitted alternately, normal operation of the transmitters is achieved when only one of the status bits (TLDE or TRDE) is set at a time. A transmit underrun condition is indicated when both TLDE and TRDE are set. TLDE is cleared when the DSP writes to the transmit data registers of the enabled transmitters, provided that $(TLDE \oplus TRDE = 1)$. When a transmit underrun condition occurs, $(TLDE \bullet TRDE = 1)$, the previous data (which is still present in the data registers) will be re-transmitted. In this case, TLDE is cleared by first reading the TCS register, followed by writing the transmit data registers of the enabled transmitters. If TXIE is set, an interrupt request will be issued when TLDE is set. The vector of the interrupt request will depend on the state of the transmit underrun

condition. TLDE is cleared by hardware reset and software reset, when the DSP is in the Stop state, and when all transmitters are disabled (T2EN, T1EN, and T0EN cleared).

6.3.4.15 TCS Transmitter Right Data Empty (TRDE)—Bit 15

Transmitter Right Data Empty (TRDE) is a read-only status bit that, in conjunction with TLDE, indicates the status of the enabled transmit data registers. TRDE is set when the left data words (as indicated by the TLRS bit in TCS) are simultaneously transferred from the transmit data registers to the transmit shift registers in the enabled transmitters. This indicates that the transmit data registers are now free to be loaded with the right data words. Since audio data samples are composed of left and right data words that are transmitted alternately, normal operation of the transmitters is achieved when only one of the status bits (TLDE or TRDE) is set at a time. A transmit underrun condition is indicated when both TLDE and TRDE are set. TRDE is cleared when the DSP writes to the transmit data register of the enabled transmitters, provided that $(TLDE \oplus TRDE = 1)$. When a transmit underrun condition occurs, $(TLDE \bullet TRDE = 1)$, the previous data (which is still present in the data registers) will be re-transmitted. In this case, TRDE is cleared by first reading the TCS register, followed by writing the transmit data registers of the enabled transmitters. If TXIE is set, an interrupt request will be issued when TRDE is set. The vector of the interrupt request will depend on the state of the transmit underrun condition. The TRDE is cleared by hardware and software reset, when the DSP is in the Stop state, and when all transmitters are disabled (T2EN, T1EN and T0EN cleared).

6.3.5 SAI Transmit Data Registers (TX2, TX1 and TX0)

The three Transmit data registers (TX2, TX1, and TX0) are each 24 bits wide. Data to be transmitted is written to these registers and is automatically transferred to the associated shift register after the last bit is shifted out. The transmit data registers should be written with left channel and right channel data alternately. The first word to be transmitted, after enabling the operation of the respective transmitter, will be the left channel word.

6.4 PROGRAMMING CONSIDERATIONS

This section discusses some important considerations for programming the SAI.

6.4.1 SAI Operation During Stop

The SAI operation cannot continue when the DSP is in the Stop state, since no DSP clocks are active. Incoming serial data will be ignored. While the DSP is in the Stop state, the SAI sections will remain in the individual reset state and the status bits in the RCS and TCS registers will be cleared. No control bits in the RCS and TCS registers are affected. It is recommended that the SAI be disabled before entering the Stop state.

6.4.2 Initiating a Transmit Session

The recommended method of initializing a transmit session is to first write valid data to the transmit data registers and then enable the transmit operation. This will ensure that known data will be transmitted as soon as the transmitters are enabled (if operating in the Master mode), or as soon as the word select event for the Left word is detected on the WST pin (if operating in the Slave mode). Note that even though the TRDE and TLDE status flags are always cleared while the transmitter section is in the individual reset state, the transmit data registers may be written in this state. The data will remain in the transmit data registers while the transmitter section is in the individual reset state, and will be transferred to the transmit shift registers only after the respective transmitters are enabled and when the Left word transmission slot occurs (immediately for Master mode, or according to WST for Slave mode).

6.4.3 Using a Single Interrupt to Service Both Receiver and Transmitter Sections

It is possible to use a single interrupt routine to service both the receiver and transmitter sections if both sections are fully synchronized. To ensure full synchronization, both sections must operate with the same protocol and the same clock source. Only the receive interrupts (RXIE = 1) should be enabled for proper operation in this configuration. When the condition arises for the receive interrupt to occur, the same interrupt service routine may be used to read data from the receiver section and to write data to the transmitter section.

When operating in the Master mode, the following initialization procedure is recommended:

1. Write the Left data words to the transmit data registers.
2. Enable the operation of the SAI receivers while ensuring that $RXIE = 1$ (RCS register).
3. Enable the operation of the SAI transmitters while ensuring that $TXIE = 0$ (TCS register). Enabling the transmitters will transfer the Left data words from the transmit data registers to the shift registers.
4. Poll the TRDE status bit in the TCS register to detect when it is possible to load the Right data words into the transmit data registers. Write the Right data words to the transmit data registers when TRDE is set.
5. From now on, the receive interrupts should be used to service both the transmitters and receivers. When the Left channel receive interrupt is generated, the interrupt service routine should write the Left data words to the transmitters and read the received Left data words from the receivers (repeat this methodology for the Right channel receivers/transmitters).

6.4.4 SAI State Machine

When the SAI operates in the Slave mode and the bit clock and word select inputs change unexpectedly, irregular or unexpected operation might result. In particular, this can happen when SCKR (SCKT) runs freely and WSR/WST transitions occur earlier or later than expected (in terms of complete bit clock cycles). In order to explore the SAI reaction in such irregular conditions, the operation of the SAI state machine is described here. After completion of a data word transfer (or upon exiting the individual reset state) the SAI searches for the particular WSR/WST transition with regard to the Left/Right orientation of the next expected word. For example, after completion of a Right data word transfer or upon exiting the individual reset state, the SAI searches for a WSR/WST transition, which determines the start of a Left data word transfer. Similarly, after completion of a Left data word transfer, the SAI searches for a WSR/WST transition, which determines the start of a Right data word transfer. As soon as the correct transition is detected the SAI begins to shift the data in (receive) or out (transmit) one shift per bit-clock cycle. A data word transfer is complete when the number of the incoming bit clocks in SCKR (SCKT) since the detection of the correct WSR/WST transition reaches the value of the pre-programmed data word length. During a data word transfer (i.e., before completion), all transitions in WSR/WST are ignored. After completion of a data word transfer the SAI stops shifting data in and out until the next correct WSR/WST transition is detected.

Programming Considerations

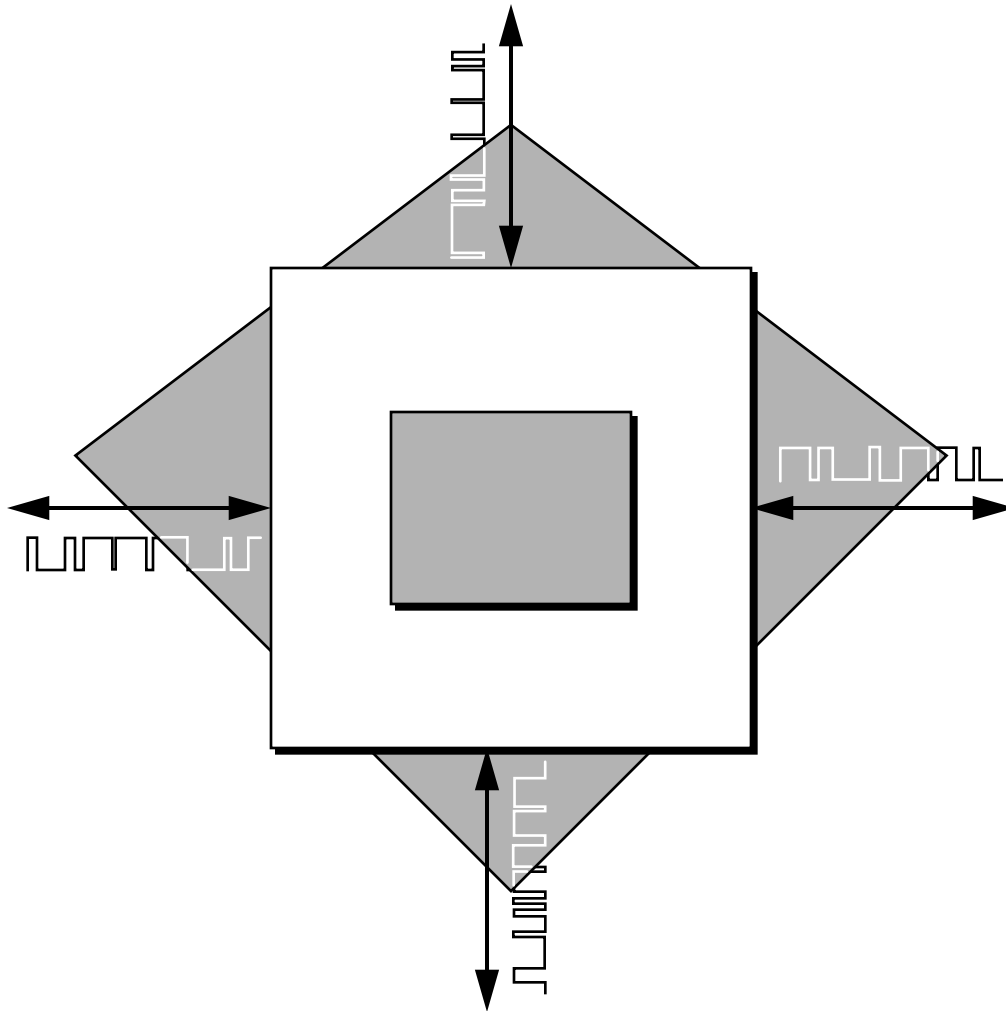
As a result, when the WSR/WST transition appears earlier than expected, the transition is ignored and the next pair of data words (right and left) is lost. Likewise, when the WSR/WST transition appears later than expected, in the time period between the completion of the previous word and the appearance of the late WSR/WST transition, the data bits being received are ignored and no data is transmitted.

These characteristics can be used to disable reception or transmission of undesired data words by keeping SCKR (SCKT) running freely and gating WSR/WST for a certain number of bit-clock cycles.



SECTION 7

GENERAL PURPOSE INPUT/OUTPUT





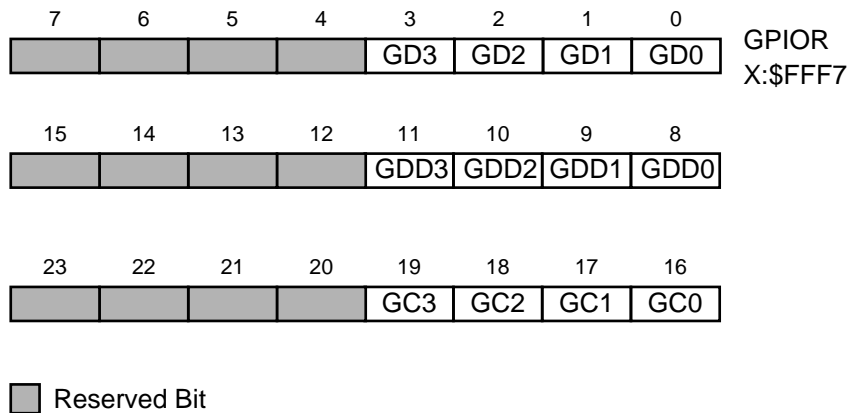
7.1 INTRODUCTION 7-3
7.2 GPIO PROGRAMMING MODEL 7-3
7.3 GPIO REGISTER (GPIOR) 7-3

7.1 INTRODUCTION

The General Purpose Input/Output (GPIO) pins are used for control and handshake functions between the DSP and external circuitry. The GPIO port has four I/O signals (GPIO0–GPIO3) that are controlled through a memory-mapped register. Each GPIO signal may be individually programmed as an output or as an input.

7.2 GPIO PROGRAMMING MODEL

The GPIO pins are controlled through the GPIO control/data Register (GPIOR), which is illustrated in **Figure 7-1**. The register is described in the following paragraphs.



AA0441

Figure 7-1 GPIO Control/Data Register

7.3 GPIO REGISTER (GPIOR)

The GPIO Register (GPIOR) is a 24-bit read/write control/data register used to operate and configure the GPIO pins. The control bits in the GPIOR select the direction of data transfer for each pin, whereas the data bits in the GPIOR are used to read from or write to the GPIO pins. Hardware reset and software reset clear all the bits in GPIOR. The GPIOR bits are described in the following paragraphs.

7.3.1 GPIOR Data Bits (GD[3:0])—Bits 3–0

The read/write GPIO Data bits (GD[3:0]) are used to read from or write to the corresponding GPIO[3:0] pins. If the GPIOx pin is defined as an input, the GDx bit will reflect the logic value present on the GPIOx pin. If the GPIOx pin is defined as an output, the GPIOx pin will reflect the value written to the GDx bit. The GD[3:0] bits are cleared during hardware reset and software reset.

7.3.2 GPIOR Reserved Bits—Bits 4–7, 12–15, and 20–23

These bits are reserved and unused. They read as 0s and should be written with 0s for future compatibility.

7.3.3 GPIOR Data Direction Bits (GDD[3:0])—Bits 11–8

The read/write GPIO Data Direction bits (GDD[3:0]) select the direction of data transfer for each of the GPIO[3:0] pins (see **Table 7-1**). When the GDDx bit is cleared, the corresponding GPIOx pin is defined as an input. When the GDDx bit is set, the corresponding GPIOx pin is defined as an output. The GDD[3:0] bits are cleared during hardware reset and software reset.

Table 7-1 GPIO Pin Configuration

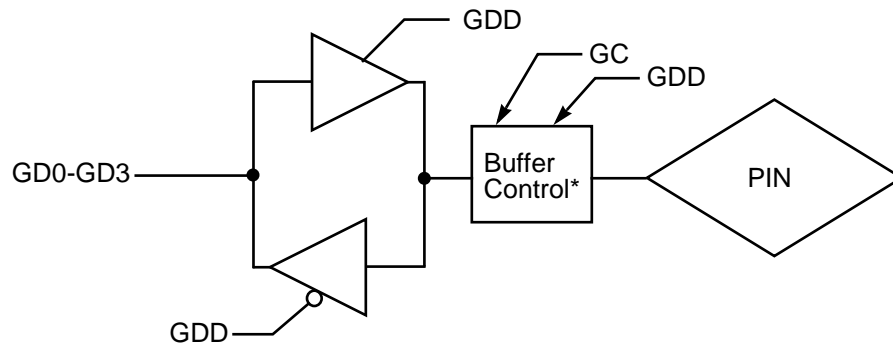
| GDDx | GCx | GPIO Pin Definition |
|------|-----|--|
| 0 | 0 | Disconnected |
| 0 | 1 | Input |
| 1 | 0 | Standard active high/active low output |
| 1 | 1 | Open-drain output |

7.3.4 GPIOR Control Bits (GC[3:0])—Bits 19–16

The read/write GPIO Control bits (GC[3:0]) select the type of output buffer for each of the GPIO[3:0] pins when the pins are defined as outputs, and select whether or not the input buffer is connected to the pin when the pin is defined as an input.

- When the GCx bit is cleared and the GDDx bit is cleared (the pin is defined as an input), the corresponding GPIOx pin input buffer is disconnected from the pin and does not require an external pull-up (see **Table 7-1** and **Figure 7-2**).
- When the GCx bit is set and the GDDx bit is cleared (the pin is defined as input), the corresponding GPIOx pin input buffer is connected to the pin (see **Table 7-1** and **Figure 7-2**).
- When the GCx bit is cleared and the GDDx bit is set (the pin is defined as output), the corresponding GPIOx pin output buffer is defined as a standard active high/active low type (see **Table 7-1** and **Figure 7-2**).
- When the GCx bit is set and the GDDx bit is set (the pin is defined as output), the corresponding GPIOx pin output buffer is defined as an open-drain type (see **Table 7-1** and **Figure 7-2**).

The GC[3:0] bits are cleared during hardware reset and software reset.



* See **Table 7-1 GPIO Pin Configuration**.

AA0442k

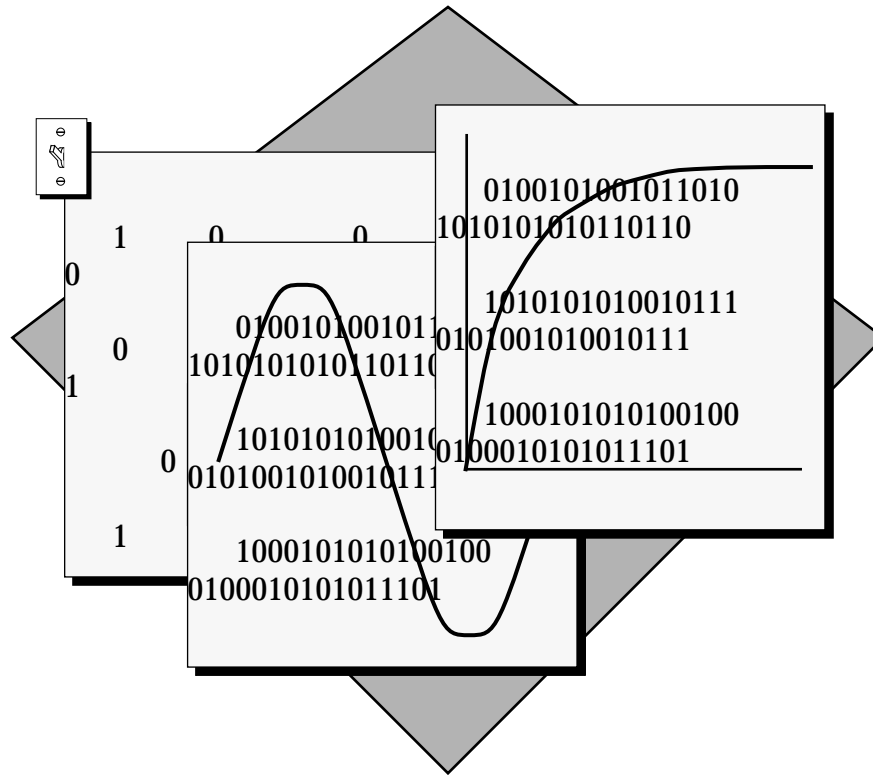
Figure 7-2 GPIO Circuit Diagram





APPENDIX A

BOOTSTRAP ROM AND DATA ROM CONTENTS



| | | |
|-----|--|------|
| A.1 | DSP56004 BOOTSTRAP PROGRAM. | A-3 |
| A.2 | DSP56004ROM BOOTSTRAP PROGRAM | A-5 |
| A.3 | ASSEMBLER CODE TO GENERATE X DATA ROM. | A-7 |
| A.4 | LOG2 X TABLE (X DATA ROM) | A-8 |
| A.5 | 2X TABLE (X DATA ROM) | A-10 |
| A.6 | SINE WAVE TABLE (Y DATA ROM). | A-13 |

A.1 DSP56004 BOOTSTRAP PROGRAM

```

; BOOTSTRAP CODE FOR DSP56004 - (C) Copyright 1991 Motorola Inc.
; Revised January 21, 1992.
;
; Bootstrap through the SHI and EMI.
;
; Assumes 32 words of bootstrap ROM in the address range P:$0-P:$1F plus
; 32 words of bootstrap ROM in the address range P:$100-P:$11F.
;
; All bootstrap modes will clear (write a $000000 word) the internal
; X, Y and P RAMs.
;
bcr      equ      $fffe      ; BCR Register
ogdbr    equ      $fffc      ; OnCE GDB Register
gpior    equ      $fff7      ; GPIO Control/Data Register
gdd3     equ      11         ; direction bit for GPIO3
gd3      equ      3          ; data bit for GPIO3
ecsr     equ      $ffeb      ; EMI Control/Status Register
edrr0    equ      $ffea      ; EMI Data Read Register
ebar0    equ      $ffe8      ; EMI Base Address Register 0
eor0     equ      $ffe9      ; EMI Offset Register
edrf     equ      13         ; EMI EDRR Full flag
hrne     equ      17         ; SHI FIFO Not Empty flag
hrx      equ      $fff3      ; SHI HRX FIFO
hcsr     equ      $fff1      ; SHI Control/Status Register
hi2c     equ      1          ; SHI IIC Enable Control Bit
ma       equ      0          ; OMR Mode A
mb       equ      1          ; OMR Mode B
mc       equ      4          ; OMR Mode C
          org      pl:$0,pl:$0 ; bootstrap code starts at $0

start clr a #<0,r0
  movep a,x:bcr          ; clear BCR register
  rep #256              ; clear X and Y Data RAMs
  move a,l:(r0)+
  move #<0,r0
  rep #512              ; clear Program RAM
  move a,p:(r0)+
jset #mc,omr,shild      ; If MC:MB:MA=1xx, go load from SHI
; This is the routine that loads from external EPROM.
; If MC:MB:MA=001, the internal PRAM is loaded with 1,536 consecutive
; bytes from an EPROM connected to the EMI. The EPROM is located at the EMI
; address $0, when operating the EMI in the Absolute Addressing SRAM mode
; (EAM2-EAM0=000). It is assumed that the EPROM is selected (enabled) through
; the GPIO3 pin, which is driven low by this bootstrap mode. The GPIO3 output
; is programmed to be of the active high/active low type. The bytes will be
; condensed into 512 24-bit words and stored in contiguous PRAM memory locations
; starting at P:$0. Note that the routine loads data starting with the least
; significant byte of P:$0. The OnCE is enabled by the EMI bootstrap.
epromld  movep a,x:ogdbr  ; enable the OnCE
          move #<0,r0      ; start loading code at P:$0
          movep a,x:ebar0  ; EPROM starting address

```

```

        movep #$FC0085,x:ecsr ; EMI control
; EBW=1, EWL1-EWL0=10, EAM2-EAM0=000, EINR=1, EINW=0, EIS1-EIS0=00,
; ERTS=0, ETDM=1, ESTM3-ESTM0=1111, EME=1
        bset #gdd3,x:gpior ; enable EPROM (GPIO3=0)
; GD3-GD0=0000, GDD3-GDD0=1000,GC3-GC0=0000
        do #512,_loop1
            movep a,x:eor0 ; trigger read
            jclr #edrf,x:ecsr,* ; wait for EDRR full
            movep x:edrr0,p:(r0)+ ; store in Program RAM
_loop1
        bset #gd3,x:gpior ; disable EPROM (GPIO3=1)
; GD3-GD0=1000, GDD3-GDD0=1000,GC3-GC0=0000
; Exit bootstrap ROM
exit    andi #Sec,omr ; set operating mode to 0 (and trigger an exit from
;bootstrap mode).

        nop ; Delay needed for Op. Mode change
        jmp <$0 ; Then go to loaded program.
; This is the routine that loads from the Serial Host Interface.
; MC:MB:MA=101 - Bootstrap from SHI (SPI)
; MC:MB:MA=111 - Bootstrap from SHI (IIC)
; If MC:MB:MA=1x1, the internal PRAM is loaded with 512 words received
; through the Serial Host Interface (SHI). The SHI operates in the slave
; mode, with the 10-word FIFO enabled, and with the HREQ pin enabled for
; receive operation. The word size for transfer is 24 bits. The SHI
; operates in the SPI or in the IIC mode, according to the bootstrap
; mode. The OnCE is enabled by the bootstrap code.
shild    jclr #ma,omr,ma_0
shild_1  movep a,x:ogdbr ; enable the OnCE
        move #$0002A9,x1 ; SHI control word (SPI)
; HEN=1, HI2C=0, HM1-HM0=10, HFIFO=1, HMST=0,
; HRQE1-HRQE0=01, HIDLE=1, HBIE=0, HTIE=0, HRIE1-HRIE0=00
        move #<0,r0 ; start loading code at P:$0
        jmp <$100
        org pl:$100,pl:$100 ; Start of second 32-word group
        jclr #mb,omr,shi_loop ; If MC:MB:MA=101, then SPI
        bset #hi2c,x1 ; IIC (HI2C=1)
shi_loop movep x1,x:hcsr ; enable SHI
        do #512,_loop2
            jclr #hrne,x:hcsr,* ; wait for HRX not empty
            movep x:hrx,p:(r0)+ ; store in Program RAM
_loop2
        jmp <exit ; Finish
ma_0    jmp <shild_1 ; make MC:MB:MA=1x0 equal to MC:MB:MA=1x1
; This code fills the unused bootstrap rom locations with their address
        dup $120-*
        dc *
        endm

```

A.2 DSP56004ROM BOOTSTRAP PROGRAM

```

BOOTSTRAP CODE FOR DSP56004ROM - (C) Copyright 1994 Motorola Inc.
; Revised April 21, 1994.
;
; Bootstrap through EMI, SHI-SPI and SHI-I2C.
;; Assumes 32 words of bootstrap ROM in the address range P:$0-P:$1F
;
;           comment           !
!
bcr          equ    $fffe          ; BCR Register
ogdbr       equ    $fffc          ; OnCE GDB Register

gpior       equ    $fff7          ; GPIO Control/Data Register
gdd3        equ    11             ; direction bit for GPIO3
gd3         equ    3              ; data bit for GPIO3

ecsr        equ    $ffeb          ; EMI Control/Status Register
edrr0       equ    $ffea          ; EMI Data Read Register
ebar0       equ    $ffe8          ; EMI Base Address Register 0
eor0        equ    $ffe9          ; EMI Offset Register
edrf        equ    13            ; EMI EDRR Full flag

hrne        equ    17             ; SHI FIFO Not Empty flag
hrx         equ    $fff3          ; SHI HRX FIFO
hcsr        equ    $fff1          ; SHI Control/Status Register
hi2c        equ    1              ; SHI IIC Enable Control Bit

ma          equ    0              ; OMR Mode A
mb          equ    1              ; OMR Mode B
mc          equ    4              ; OMR Mode C

;
;           org    p:$0          ; bootstrap code starts at $0
;
start       clr    a    #<0,r0    ; r0 points to internal PRAM
            bset   #10,a0        ; PROM starting address ($0400)
            jclr  #ma,omr,exit    ; if MC:MB:MA=xx0 goto PROM

downld      clr    a    #$A9,r1    ; clear a0 - PRAM starting address,
            ; prepare SHI control value in r1
; HEN=1, HI2C=0, HM1-HM0=10, HFIFO=1, HMST=0,
; HRQE1-HRQE0=01, HIDLE=0, HBIE=0, HTIE=0, HRIE1-HRIE0=00

            movep al,x:ebar0      ; EPROM starting address
            jset  #mc,omr,shild   ; If MC:MB:MA=1x1 load from SHI

; This is the routine that loads from external EPROM.
; If MC:MB:MA=001, the internal PRAM is loaded with 768 consecutive
; bytes from an EPROM connected to the EMI. The EPROM is located at the EMI
; address $0, when operating the EMI in the Absolute Addressing SRAM mode
; (EAM3-EAM0=0000). It is assumed that the EPROM is selected (enabled) through

```

```

; the GPIO3 pin, which is driven low by this bootstrap mode. The GPIO3 output
; is programmed to be of the active high/active low type. The bytes will be
; condensed into 256 24-bit words and stored in contiguous PRAM memory locations
; starting at P:$0. Note that the routine loads data starting with the least
; significant byte of P:$0.

```

```

epromld
        movewp    #$FC0085,x:ecsr ; EMI control
; EBW=1, EWL1-EWL0=10, EAM2-EAM0=000, EINR=1, EINW=0, EIS1-EIS0=00,
; ERTS=0, ETDM=1, ESTM3-ESTM0=1111, EME=1

        bset     #gdd3,x:gpior    ; enable EPROM (GPIO3=0)
; GD3-GD0=0000, GDD3-GDD0=1000,GC3-GC0=0000

        do       #256,_loop1
        movewp   a1,x:eor0        ; trigger read
        jclr     #edrf,x:ecsr,*   ; wait for EDRR full
        movewp   x:edrr0,p:(r0)+ ; store in Program RAM
_loop1
        bset     #gd3,x:gpior    ; disable EPROM (GPIO3=1)
; GD3-GD0=1000, GDD3-GDD0=1000,GC3-GC0=0000

        jmp      <exit          ; Exit bootstrap ROM

```

```

; This is the routine that loads from the Serial Host Interface.
; MC:MB:MA=101 - Bootstrap from SHI (SPI)
; MC:MB:MA=111 - Bootstrap from SHI (IIC)
; If MC:MB:MA=1x1, the internal PRAM is loaded with 256 words received
; through the Serial Host Interface (SHI). The SHI operates in the slave
; mode, with the 10-word FIFO enabled, and with the HREQ pin enabled for
; receive operation. The word size for transfer is 24 bits. The SHI
; operates in the SPI or in the IIC mode, according to the bootstrap
; mode.

```

```

shild      jclr     #mb,omr,shi_loop ; If MC:MB:MA=101, then SPI

          bset     #hi2c,r1          ; IIC (HI2C=1)

shi_loop   movewp   r1,x:hcsr        ; enable SHI
          do       #256,exit
          jclr     #hrne,x:hcsr,*   ; wait for HRX not empty
          movewp   x:hrx,p:(r0)+   ; store in Program RAM

exit

```

```

; Exit bootstrap ROM

```

```

        clr a     a0,r0              ; r0 points to destination address
        andi     #$sec,omr          ; set operating mode to 0
                                           ; (and trigger an exit from
                                           ; bootstrap mode).
        movewp   a1,x:bcr          ; Delay needed for Op. Mode change
                                           ; used to clear BCR register.
        jmp      (r0)              ; Then go to destination address.

```

A.3 ASSEMBLER CODE TO GENERATE X DATA ROM

```

; X DATA ROM CONTENTS FOR THE DSP56004 - (C) Copyright 1991 Motorola Inc.
;
;X Data ROM - first 128 words: log base 2, argument ranging from 0.5 inclusive to 1
exclusive.
; Next 128 words: antilog base 2, with result ranging from 0.5 inclusive to 1
exclusive.
;
;X ROM Memory map:
;
;      address  ROM contents
;      (decimal) (decimal)
;      -----
;      511      0.99609375      antilog(-0.0056466)
;      .        .                .
;antilog2 (y) . .                .
;      .        .                .
;      384      0.5              antilog(-1.0)
;
;      383      -0.0056466      log(0.99609375)
;      .        .                .
;log2 (x) . .                .
;      .        .                .
;      256      -1.0            log(0.5)
;
;
;
;x = 0.5 (1 + (addr-256)/128), where addr ranges from 256 to 383 resulting in x ranging
from 0.5 to
;
;          0.99609375.
;
;y = -1.0 (1 - (addr-384)/128), where addr ranges from 384 to 51 resulting in y ranging
from -1 to
;
;          -0.0056466.
; LOG2 TABLE
;      org x1:$100,x1:$100
addr      set 256
;      dup 128
param1    set @CVF(addr)
param2    set (1.0+(param1-256.0)/128.0)/2.0
;      dc @FRC(@LOG(param2)/@LOG(2))
addr      set addr+1
;      endm
; ANTILOG2 TABLE
;      org x1:$180,x1:$180
addr      set 384
;      dup 128
param1    set @CVF(addr)
param2    set ((param1-384.0)/128.0)-1.0
;      dc @FRC(@POW(2.0,param2))
addr      set addr+1
;      endm

```

A.4 LOG₂ X TABLE (X DATA ROM)

```

_ORG X: $0100
L2_00 DC $800000      ;-1.0000000
L2_01 DC $816FE5     ;-0.9887727
L2_02 DC $82DCF3     ;-0.9776322
L2_03 DC $844734     ;-0.9665771
L2_04 DC $85AEB5     ;-0.9556059
L2_05 DC $87137F     ;-0.9447175
L2_06 DC $88759C     ;-0.9339108
L2_07 DC $89D518     ;-0.9231844
L2_08 DC $8B31FB     ;-0.9125372
L2_09 DC $8C8C51     ;-0.9019679
L2_0A DC $8DE421     ;-0.8914756
L2_0B DC $8F3976     ;-0.8810589
L2_0C DC $908C59     ;-0.8707169
L2_0D DC $91DCD2     ;-0.8604486
L2_0E DC $932AEA     ;-0.8502529
L2_0F DC $9476AA     ;-0.8401287
L2_10 DC $95C01A     ;-0.8300750
L2_11 DC $970743     ;-0.8200909
L2_12 DC $984C2C     ;-0.8101754
L2_13 DC $98EDD      ;-0.8003277
L2_14 DC $9ACF5E     ;-0.7905467
L2_15 DC $9C0DB7     ;-0.7808315
L2_16 DC $9D49EE     ;-0.7711813
L2_17 DC $9E840C     ;-0.7615952
L2_18 DC $9FBC17     ;-0.7520725
L2_19 DC $A0F216     ;-0.7426121
L2_1A DC $A22610     ;-0.7332134
L2_1B DC $A3580B     ;-0.7238756
L2_1C DC $A4880F     ;-0.7145978
L2_1D DC $A5B622     ;-0.7053792
L2_1E DC $A6E24A     ;-0.6962192
L2_1F DC $A80C8C     ;-0.6871171
L2_20 DC $A934F1     ;-0.6780719
L2_21 DC $AA5B7C     ;-0.6690831
L2_22 DC $AB8034     ;-0.6601501
L2_23 DC $ACA320     ;-0.6512718
L2_24 DC $ADC444     ;-0.6424479
L2_25 DC $AEE3A5     ;-0.6336778
L2_26 DC $B0014B     ;-0.6249605
L2_27 DC $B11D39     ;-0.6162957
L2_28 DC $B23775     ;-0.6076826
L2_29 DC $B35004     ;-0.5991206
L2_2A DC $B466EC     ;-0.5906091
L2_2B DC $B57C31     ;-0.5821475
L2_2C DC $B68FD8     ;-0.5737352
L2_2D DC $B7A1E6     ;-0.5653718
L2_2E DC $B8B25F     ;-0.5570565
L2_2F DC $B9C149     ;-0.5487889
L2_30 DC $BACEA8     ;-0.5405684

```


| | | | |
|-------|----|----------|--------------|
| L2_31 | DC | \$BBDA80 | ; -0.5323944 |
| L2_32 | DC | \$BCE4D5 | ; -0.5242666 |
| L2_33 | DC | \$BDEDAD | ; -0.5161842 |
| L2_34 | DC | \$BEF50B | ; -0.5081469 |
| L2_35 | DC | \$BFFAF3 | ; -0.5001541 |
| L2_36 | DC | \$C0FF6A | ; -0.4922054 |
| L2_37 | DC | \$C20274 | ; -0.4843001 |
| L2_38 | DC | \$C30414 | ; -0.4764380 |
| L2_39 | DC | \$C4044F | ; -0.4686185 |
| L2_3A | DC | \$C50328 | ; -0.4608412 |
| L2_3B | DC | \$C600A3 | ; -0.4531056 |
| L2_3C | DC | \$C6FCC4 | ; -0.4454112 |
| L2_3D | DC | \$C7F78F | ; -0.4377576 |
| L2_3E | DC | \$C8F107 | ; -0.4301444 |
| L2_3F | DC | \$C9E930 | ; -0.4225712 |
| L2_40 | DC | \$CAE00D | ; -0.4150375 |
| L2_41 | DC | \$CBD5A2 | ; -0.4075429 |
| L2_42 | DC | \$CCC9F2 | ; -0.4000871 |
| L2_43 | DC | \$CDBD00 | ; -0.3926697 |
| L2_44 | DC | \$CEAED0 | ; -0.3852901 |
| L2_45 | DC | \$CF9F65 | ; -0.3779482 |
| L2_46 | DC | \$D08EC2 | ; -0.3706434 |
| L2_47 | DC | \$D17CEA | ; -0.3633754 |
| L2_48 | DC | \$D269E1 | ; -0.3561438 |
| L2_49 | DC | \$D355A9 | ; -0.3489484 |
| L2_4A | DC | \$D44046 | ; -0.3417885 |
| L2_4B | DC | \$D529BA | ; -0.3346641 |
| L2_4C | DC | \$D61209 | ; -0.3275746 |
| L2_4D | DC | \$D6F934 | ; -0.3205199 |
| L2_4E | DC | \$D7DF40 | ; -0.3134995 |
| L2_4F | DC | \$D8C42E | ; -0.3065131 |
| L2_50 | DC | \$D9A802 | ; -0.2995603 |
| L2_51 | DC | \$DA8ABE | ; -0.2926409 |
| L2_52 | DC | \$DB6C66 | ; -0.2857544 |
| L2_53 | DC | \$DC4CFA | ; -0.2789009 |
| L2_54 | DC | \$DD2C7F | ; -0.2720796 |
| L2_55 | DC | \$DE0AF7 | ; -0.2652904 |
| L2_56 | DC | \$DEE864 | ; -0.2585330 |
| L2_57 | DC | \$DFC4C9 | ; -0.2518071 |
| L2_58 | DC | \$E0A027 | ; -0.2451125 |
| L2_59 | DC | \$E17A83 | ; -0.2384487 |
| L2_5A | DC | \$E253DD | ; -0.2318157 |
| L2_5B | DC | \$E32C39 | ; -0.2252129 |
| L2_5C | DC | \$E40398 | ; -0.2186403 |
| L2_5D | DC | \$E4D9FE | ; -0.2120974 |
| L2_5E | DC | \$E5AF6B | ; -0.2055842 |
| L2_5F | DC | \$E683E3 | ; -0.1991001 |
| L2_60 | DC | \$E75768 | ; -0.1926451 |
| L2_61 | DC | \$E829FB | ; -0.1862189 |
| L2_62 | DC | \$E8FBA0 | ; -0.1798210 |
| L2_63 | DC | \$E9CC57 | ; -0.1734515 |
| L2_64 | DC | \$EA9C24 | ; -0.1671100 |
| L2_65 | DC | \$EB6B08 | ; -0.1607962 |

| | | | |
|-------|----|----------|-------------|
| L2_66 | DC | \$EC3905 | ;-0.1545099 |
| L2_67 | DC | \$ED061D | ;-0.1482509 |
| L2_68 | DC | \$EDD252 | ;-0.1420190 |
| L2_69 | DC | \$EE9DA7 | ;-0.1358138 |
| L2_6A | DC | \$EF681C | ;-0.1296353 |
| L2_6B | DC | \$F031B5 | ;-0.1234831 |
| L2_6C | DC | \$F0FA73 | ;-0.1173569 |
| L2_6D | DC | \$F1C257 | ;-0.1112567 |
| L2_6E | DC | \$F28963 | ;-0.1051823 |
| L2_6F | DC | \$F34F9B | ;-0.0991331 |
| L2_70 | DC | \$F414FE | ;-0.0931094 |
| L2_71 | DC | \$F4D98F | ;-0.0871106 |
| L2_72 | DC | \$F59D50 | ;-0.0811367 |
| L2_73 | DC | \$F66042 | ;-0.0751874 |
| L2_74 | DC | \$F72267 | ;-0.0692626 |
| L2_75 | DC | \$F7E3C1 | ;-0.0633620 |
| L2_76 | DC | \$F8A451 | ;-0.0574855 |
| L2_77 | DC | \$F96419 | ;-0.0516328 |
| L2_78 | DC | \$FA231B | ;-0.0458037 |
| L2_79 | DC | \$FAE158 | ;-0.0399981 |
| L2_7A | DC | \$FB9ED2 | ;-0.0342157 |
| L2_7B | DC | \$FC5B8A | ;-0.0284564 |
| L2_7C | DC | \$FD1782 | ;-0.0227201 |
| L2_7D | DC | \$FDD2BC | ;-0.0170064 |
| L2_7E | DC | \$FE8D38 | ;-0.0113153 |
| L2_7F | DC | \$FF46F9 | ;-0.0056466 |

A.5 2^X TABLE (X DATA ROM)

| | | | |
|--------------|----|----------|-------------|
| _DATA X 0180 | | | |
| AL2_00 | DC | \$400000 | ;+0.5000000 |
| AL2_01 | DC | \$4058F7 | ;+0.5027150 |
| AL2_02 | DC | \$40B269 | ;+0.5054446 |
| AL2_03 | DC | \$410C58 | ;+0.5081892 |
| AL2_04 | DC | \$4166C3 | ;+0.5109485 |
| AL2_05 | DC | \$41C1AD | ;+0.5137230 |
| AL2_06 | DC | \$421D14 | ;+0.5165124 |
| AL2_07 | DC | \$4278FB | ;+0.5193170 |
| AL2_08 | DC | \$42D562 | ;+0.5221369 |
| AL2_09 | DC | \$433249 | ;+0.5249721 |
| AL2_0A | DC | \$438FB1 | ;+0.5278226 |
| AL2_0B | DC | \$43ED9B | ;+0.5306886 |
| AL2_0C | DC | \$444C07 | ;+0.5335702 |
| AL2_0D | DC | \$44AAF7 | ;+0.5364674 |
| AL2_0E | DC | \$450A6B | ;+0.5393804 |
| AL2_0F | DC | \$456A63 | ;+0.5423092 |
| AL2_10 | DC | \$45CAE1 | ;+0.5452539 |
| AL2_11 | DC | \$462BE5 | ;+0.5482146 |
| AL2_12 | DC | \$468D70 | ;+0.5511913 |
| AL2_13 | DC | \$46EF82 | ;+0.5541842 |

| | | | |
|--------|----|----------|-------------|
| AL2_14 | DC | \$47521D | ;+0.5571934 |
| AL2_15 | DC | \$47B541 | ;+0.5602189 |
| AL2_16 | DC | \$4818EE | ;+0.5632608 |
| AL2_17 | DC | \$487D26 | ;+0.5663192 |
| AL2_18 | DC | \$48E1EA | ;+0.5693944 |
| AL2_19 | DC | \$494739 | ;+0.5724860 |
| AL2_1A | DC | \$49AD16 | ;+0.5755947 |
| AL2_1B | DC | \$4A1380 | ;+0.5787201 |
| AL2_1C | DC | \$4A7A78 | ;+0.5818624 |
| AL2_1D | DC | \$4AE1FF | ;+0.5850219 |
| AL2_1E | DC | \$4B4A17 | ;+0.5881985 |
| AL2_1F | DC | \$4BB2BF | ;+0.5913924 |
| AL2_20 | DC | \$4C1BF8 | ;+0.5946035 |
| AL2_21 | DC | \$4C85C4 | ;+0.5978322 |
| AL2_22 | DC | \$4CF023 | ;+0.6010784 |
| AL2_23 | DC | \$4D5B15 | ;+0.6043421 |
| AL2_24 | DC | \$4DC69D | ;+0.6076237 |
| AL2_25 | DC | \$4E32BA | ;+0.6109231 |
| AL2_26 | DC | \$4E9F6D | ;+0.6142403 |
| AL2_27 | DC | \$4F0CB7 | ;+0.6175755 |
| AL2_28 | DC | \$4F7A99 | ;+0.6209289 |
| AL2_29 | DC | \$4FE914 | ;+0.6243005 |
| AL2_2A | DC | \$505829 | ;+0.6276904 |
| AL2_2B | DC | \$50C7D7 | ;+0.6310986 |
| AL2_2C | DC | \$513822 | ;+0.6345255 |
| AL2_2D | DC | \$51A908 | ;+0.6379709 |
| AL2_2E | DC | \$521A8B | ;+0.6414350 |
| AL2_2F | DC | \$528CAC | ;+0.6449180 |
| AL2_30 | DC | \$52FF6B | ;+0.6484197 |
| AL2_31 | DC | \$5372CA | ;+0.6519406 |
| AL2_32 | DC | \$53E6CA | ;+0.6554806 |
| AL2_33 | DC | \$545B6B | ;+0.6590399 |
| AL2_34 | DC | \$54D0AD | ;+0.6626183 |
| AL2_35 | DC | \$554693 | ;+0.6662163 |
| AL2_36 | DC | \$55BD1D | ;+0.6698338 |
| AL2_37 | DC | \$56344B | ;+0.6734709 |
| AL2_38 | DC | \$56AC1F | ;+0.6771277 |
| AL2_39 | DC | \$57249A | ;+0.6808045 |
| AL2_3A | DC | \$579DBC | ;+0.6845012 |
| AL2_3B | DC | \$581787 | ;+0.6882180 |
| AL2_3C | DC | \$5891FB | ;+0.6919550 |
| AL2_3D | DC | \$590D19 | ;+0.6957122 |
| AL2_3E | DC | \$5988E2 | ;+0.6994898 |
| AL2_3F | DC | \$5A0557 | ;+0.7032880 |
| AL2_40 | DC | \$5A827A | ;+0.7071068 |
| AL2_41 | DC | \$5B004A | ;+0.7109463 |
| AL2_42 | DC | \$5B7EC9 | ;+0.7148067 |
| AL2_43 | DC | \$5BFD8 | ;+0.7186880 |
| AL2_44 | DC | \$5C7DD8 | ;+0.7225904 |
| AL2_45 | DC | \$5CFE69 | ;+0.7265140 |
| AL2_46 | DC | \$5D7FAD | ;+0.7304589 |
| AL2_47 | DC | \$5E01A5 | ;+0.7344252 |
| AL2_48 | DC | \$5E8452 | ;+0.7384131 |

| | | | |
|--------|----|----------|-------------|
| AL2_49 | DC | \$5F07B4 | ;+0.7424226 |
| AL2_4A | DC | \$5F8BCD | ;+0.7464539 |
| AL2_4B | DC | \$60109D | ;+0.7505070 |
| AL2_4C | DC | \$609626 | ;+0.7545822 |
| AL2_4D | DC | \$611C69 | ;+0.7586795 |
| AL2_4E | DC | \$61A366 | ;+0.7627990 |
| AL2_4F | DC | \$622B1F | ;+0.7669410 |
| AL2_50 | DC | \$62B395 | ;+0.7711054 |
| AL2_51 | DC | \$633CC8 | ;+0.7752924 |
| AL2_52 | DC | \$63C6BA | ;+0.7795022 |
| AL2_53 | DC | \$64516C | ;+0.7837348 |
| AL2_54 | DC | \$64DCDF | ;+0.7879905 |
| AL2_55 | DC | \$656913 | ;+0.7922691 |
| AL2_56 | DC | \$65F60A | ;+0.7965710 |
| AL2_57 | DC | \$6683C6 | ;+0.8008964 |
| AL2_58 | DC | \$671246 | ;+0.8052452 |
| AL2_59 | DC | \$67A18C | ;+0.8096175 |
| AL2_5A | DC | \$68319A | ;+0.8140137 |
| AL2_5B | DC | \$68C270 | ;+0.8184338 |
| AL2_5C | DC | \$69540F | ;+0.8228778 |
| AL2_5D | DC | \$69E678 | ;+0.8273458 |
| AL2_5E | DC | \$6A79AD | ;+0.8318383 |
| AL2_5F | DC | \$6B0DAF | ;+0.8363551 |
| AL2_60 | DC | \$6BA27E | ;+0.8408964 |
| AL2_61 | DC | \$6C381D | ;+0.8454624 |
| AL2_62 | DC | \$6CCE8B | ;+0.8500532 |
| AL2_63 | DC | \$6D65CA | ;+0.8546689 |
| AL2_64 | DC | \$6DFDDC | ;+0.8593097 |
| AL2_65 | DC | \$6E96C1 | ;+0.8639756 |
| AL2_66 | DC | \$6F307A | ;+0.8686669 |
| AL2_67 | DC | \$6FCB09 | ;+0.8733836 |
| AL2_68 | DC | \$70666F | ;+0.8781260 |
| AL2_69 | DC | \$7102AD | ;+0.8828942 |
| AL2_6A | DC | \$719FC5 | ;+0.8876883 |
| AL2_6B | DC | \$723DB6 | ;+0.8925083 |
| AL2_6C | DC | \$72DC83 | ;+0.8973545 |
| AL2_6D | DC | \$737C2D | ;+0.9022270 |
| AL2_6E | DC | \$741CB5 | ;+0.9071261 |
| AL2_6F | DC | \$74BE1C | ;+0.9120517 |
| AL2_70 | DC | \$756063 | ;+0.9170040 |
| AL2_71 | DC | \$76038C | ;+0.9219832 |
| AL2_72 | DC | \$76A798 | ;+0.9269896 |
| AL2_73 | DC | \$774C88 | ;+0.9320230 |
| AL2_74 | DC | \$77F25D | ;+0.9370838 |
| AL2_75 | DC | \$789918 | ;+0.9421721 |
| AL2_76 | DC | \$7940BC | ;+0.9472880 |
| AL2_77 | DC | \$79E948 | ;+0.9524317 |
| AL2_78 | DC | \$7A92BF | ;+0.9576033 |
| AL2_79 | DC | \$7B3D21 | ;+0.9628030 |
| AL2_7A | DC | \$7BE870 | ;+0.9680309 |
| AL2_7B | DC | \$7C94AD | ;+0.9732872 |
| AL2_7C | DC | \$7D41D9 | ;+0.9785720 |
| AL2_7D | DC | \$7DEFF7 | ;+0.9838856 |

```
AL2_7E DC $7E9F06 ;+0.9892280
AL2_7F DC $7F4F09 ;+0.9945995
```

A.6 SINE WAVE TABLE (Y DATA ROM)

```
ORG Y:$100
;
S_00 DC $000000 ; +0.0000000000
S_01 DC $03242B ; +0.0245412998
S_02 DC $0647D9 ; +0.0490676016
S_03 DC $096A90 ; +0.0735644996
S_04 DC $0C8BD3 ; +0.0980170965
S_05 DC $0FAB27 ; +0.1224106997
S_06 DC $12C810 ; +0.1467303932
S_07 DC $15E214 ; +0.1709619015
S_08 DC $18F8B8 ; +0.1950902939
S_09 DC $1C0B82 ; +0.2191012055
S_0A DC $1F19F9 ; +0.2429800928
S_0B DC $2223A5 ; +0.2667128146
S_0C DC $25280C ; +0.2902846038
S_0D DC $2826B9 ; +0.3136816919
S_0E DC $2B1F35 ; +0.3368898928
S_0F DC $2E110A ; +0.3598949909
S_10 DC $30FBC5 ; +0.3826833963
S_11 DC $33DEF3 ; +0.4052414000
S_12 DC $36BA20 ; +0.4275551140
S_13 DC $398CDD ; +0.4496113062
S_14 DC $3C56BA ; +0.4713967144
S_15 DC $3F174A ; +0.4928981960
S_16 DC $41CE1E ; +0.5141026974
S_17 DC $447ACD ; +0.5349975824
S_18 DC $471CED ; +0.5555701852
S_19 DC $49B415 ; +0.5758082271
S_1A DC $4C3FE0 ; +0.5956993103
S_1B DC $4EBFE9 ; +0.6152315736
S_1C DC $5133CD ; +0.6343932748
S_1D DC $539B2B ; +0.6531729102
S_1E DC $55F5A5 ; +0.6715589762
S_1F DC $5842DD ; +0.6895405054
S_20 DC $5A827A ; +0.7071068287
S_21 DC $5CB421 ; +0.7242470980
S_22 DC $5ED77D ; +0.7409511805
S_23 DC $60EC38 ; +0.7572088242
S_24 DC $62F202 ; +0.7730104923
S_25 DC $64E889 ; +0.7883464098
S_26 DC $66CF81 ; +0.8032075167
S_27 DC $68A69F ; +0.8175848722
S_28 DC $6A6D99 ; +0.8314697146
S_29 DC $6C2429 ; +0.8448535204
```

S_2A DC \$6DCA0D ; +0.8577286005
 S_2B DC \$6F5F03 ; +0.8700870275
 S_2C DC \$70E2CC ; +0.8819212914
 S_2D DC \$72552D ; +0.8932244182
 S_2E DC \$73B5EC ; +0.9039893150
 S_2F DC \$7504D3 ; +0.9142097235
 S_30 DC \$7641AF ; +0.9238795042
 S_31 DC \$776C4F ; +0.9329928160
 S_32 DC \$788484 ; +0.9415441155
 S_33 DC \$798A24 ; +0.9495282173
 S_34 DC \$7A7D05 ; +0.9569402933
 S_35 DC \$7B5D04 ; +0.9637761116
 S_36 DC \$7C29FC ; +0.9700313210
 S_37 DC \$7CE3CF ; +0.9757022262
 S_38 DC \$7D8A5F ; +0.9807853103
 S_39 DC \$7E1D94 ; +0.9852777123
 S_3A DC \$7E9D56 ; +0.9891765118
 S_3B DC \$7F0992 ; +0.9924796224
 S_3C DC \$7F6237 ; +0.9951847792
 S_3D DC \$7FA737 ; +0.9972904921
 S_3E DC \$7FD888 ; +0.9987955093
 S_3F DC \$7FF622 ; +0.9996988773
 S_40 DC \$7FFFFFFF ; +0.9999998808
 S_41 DC \$7FF622 ; +0.9996988773
 S_42 DC \$7FD888 ; +0.9987955093
 S_43 DC \$7FA737 ; +0.9972904921
 S_44 DC \$7F6237 ; +0.9951847792
 S_45 DC \$7F0992 ; +0.9924796224
 S_46 DC \$7E9D56 ; +0.9891765118
 S_47 DC \$7E1D94 ; +0.9852777123
 S_48 DC \$7D8A5F ; +0.9807853103
 S_49 DC \$7CE3CF ; +0.9757022262
 S_4A DC \$7C29FC ; +0.9700313210
 S_4B DC \$7B5D04 ; +0.9637761116
 S_4C DC \$7A7D05 ; +0.9569402933
 S_4D DC \$798A24 ; +0.9495282173
 S_4E DC \$788484 ; +0.9415441155
 S_4F DC \$776C4F ; +0.9329928160
 S_50 DC \$7641AF ; +0.9238795042
 S_51 DC \$7504D3 ; +0.9142097235
 S_52 DC \$73B5EC ; +0.9039893150
 S_53 DC \$72552D ; +0.8932244182
 S_54 DC \$70E2CC ; +0.8819212914
 S_55 DC \$6F5F03 ; +0.8700870275
 S_56 DC \$6DCA0D ; +0.8577286005
 S_57 DC \$6C2429 ; +0.8448535204
 S_58 DC \$6A6D99 ; +0.8314697146
 S_59 DC \$68A69F ; +0.8175848722
 S_5A DC \$66CF81 ; +0.8032075167
 S_5B DC \$64E889 ; +0.7883464098
 S_5C DC \$62F202 ; +0.7730104923
 S_5D DC \$60EC38 ; +0.7572088242
 S_5E DC \$5ED77D ; +0.7409511805

S_5F DC \$5CB421 ; +0.7242470980
 S_60 DC \$5A827A ; +0.7071068287
 S_61 DC \$5842DD ; +0.6895405054
 S_62 DC \$55F5A5 ; +0.6715589762
 S_63 DC \$539B2B ; +0.6531729102
 S_64 DC \$5133CD ; +0.6343932748
 S_65 DC \$4EBFE9 ; +0.6152315736
 S_66 DC \$4C3FE0 ; +0.5956993103
 S_67 DC \$49B415 ; +0.5758082271
 S_68 DC \$471CED ; +0.5555701852
 S_69 DC \$447ACD ; +0.5349975824
 S_6A DC \$41CE1E ; +0.5141026974
 S_6B DC \$3F174A ; +0.4928981960
 S_6C DC \$3C56BA ; +0.4713967144
 S_6D DC \$398CDD ; +0.4496113062
 S_6E DC \$36BA20 ; +0.4275551140
 S_6F DC \$33DEF3 ; +0.4052414000
 S_70 DC \$30FBC5 ; +0.3826833963
 S_71 DC \$2E110A ; +0.3598949909
 S_72 DC \$2B1F35 ; +0.3368898928
 S_5F DC \$5CB421 ; +0.7242470980
 S_60 DC \$5A827A ; +0.7071068287
 S_61 DC \$5842DD ; +0.6895405054
 S_62 DC \$55F5A5 ; +0.6715589762
 S_63 DC \$539B2B ; +0.6531729102
 S_64 DC \$5133CD ; +0.6343932748
 S_65 DC \$4EBFE9 ; +0.6152315736
 S_66 DC \$4C3FE0 ; +0.5956993103
 S_67 DC \$49B415 ; +0.5758082271
 S_68 DC \$471CED ; +0.5555701852
 S_69 DC \$447ACD ; +0.5349975824
 S_6A DC \$41CE1E ; +0.5141026974
 S_6B DC \$3F174A ; +0.4928981960
 S_6C DC \$3C56BA ; +0.4713967144
 S_6D DC \$398CDD ; +0.4496113062
 S_6E DC \$36BA20 ; +0.4275551140
 S_6F DC \$33DEF3 ; +0.4052414000
 S_70 DC \$30FBC5 ; +0.3826833963
 S_71 DC \$2E110A ; +0.3598949909
 S_72 DC \$2B1F35 ; +0.3368898928
 S_73 DC \$2826B9 ; +0.3136816919
 S_74 DC \$25280C ; +0.2902846038
 S_75 DC \$2223A5 ; +0.2667128146
 S_76 DC \$1F19F9 ; +0.2429800928
 S_77 DC \$1C0B82 ; +0.2191012055
 S_78 DC \$18F8B8 ; +0.1950902939
 S_79 DC \$15E214 ; +0.1709619015
 S_7A DC \$12C810 ; +0.1467303932
 S_7B DC \$0FAB27 ; +0.1224106997
 S_7C DC \$0C8BD3 ; +0.0980170965
 S_7D DC \$096A90 ; +0.0735644996
 S_7E DC \$0647D9 ; +0.0490676016
 S_7F DC \$03242B ; +0.0245412998

```

S_80 DC $000000 ; +0.0000000000
S_81 DC $FCDBD5 ; -0.0245412998
S_82 DC $F9B827 ; -0.0490676016
S_83 DC $F69570 ; -0.0735644996
S_84 DC $F3742D ; -0.0980170965
S_85 DC $F054D9 ; -0.1224106997
S_86 DC $ED37F0 ; -0.1467303932
S_87 DC $EA1DEC ; -0.1709619015
S_88 DC $E70748 ; -0.1950902939
S_89 DC $E3F47E ; -0.2191012055
S_8A DC $E0E607 ; -0.2429800928
S_8B DC $DDDC5B ; -0.2667128146
S_8C DC $DAD7F4 ; -0.2902846038
S_8D DC $D7D947 ; -0.3136816919
S_8E DC $D4E0CB ; -0.3368898928
S_8F DC $D1EEF6 ; -0.3598949909
S_90 DC $CF043B ; -0.3826833963
S_91 DC $CC210D ; -0.4052414000
S_92 DC $C945E0 ; -0.4275551140
S_93 DC $C67323 ; -0.4496113062
S_94 DC $C3A946 ; -0.4713967144
S_95 DC $C0E8B6 ; -0.4928981960
S_96 DC $BE31E2 ; -0.5141026974
S_97 DC $BB8533 ; -0.5349975824
S_98 DC $B8E313 ; -0.5555701852
S_99 DC $B64BEB ; -0.5758082271
S_9A DC $B3C020 ; -0.5956993103
S_9B DC $B14017 ; -0.6152315736
S_9C DC $AECC33 ; -0.6343932748
S_9D DC $AC64D5 ; -0.6531729102
S_9E DC $AA0A5B ; -0.6715589762
S_9F DC $A7BD23 ; -0.6895405054
S_A0 DC $A57D86 ; -0.7071068287
S_A1 DC $A34BDF ; -0.7242470980
S_A2 DC $A12883 ; -0.7409511805
S_A3 DC $9F13C8 ; -0.7572088242
S_A4 DC $9D0DFE ; -0.7730104923
S_A5 DC $9B1777 ; -0.7883464098
S_A6 DC $99307F ; -0.8032075167
S_A7 DC $975961 ; -0.8175848722
S_A8 DC $959267 ; -0.8314697146
S_A9 DC $93DBD7 ; -0.8448535204
S_AA DC $9235F3 ; -0.8577286005
S_AB DC $90A0FD ; -0.8700870275
S_AC DC $8F1D34 ; -0.8819212914
S_AD DC $8DAAD3 ; -0.8932244182
S_AE DC $8C4A14 ; -0.9039893150
S_AF DC $8AFB2D ; -0.9142097235
S_B0 DC $89BE51 ; -0.9238795042
S_B1 DC $8893B1 ; -0.9329928160
S_B2 DC $877B7C ; -0.9415441155
S_B3 DC $8675DC ; -0.9495282173
S_B4 DC $8582FB ; -0.9569402933

```


S_B5 DC \$84A2FC ; -0.9637761116
 S_B6 DC \$83D604 ; -0.9700313210
 S_B7 DC \$831C31 ; -0.9757022262
 S_B8 DC \$8275A1 ; -0.9807853103
 S_B9 DC \$81E26C ; -0.9852777123
 S_BA DC \$8162AA ; -0.9891765118
 S_BB DC \$80F66E ; -0.9924796224
 S_BC DC \$809DC9 ; -0.9951847792
 S_BD DC \$8058C9 ; -0.9972904921
 S_BE DC \$802778 ; -0.9987955093
 S_BF DC \$8009DE ; -0.9996988773
 S_C0 DC \$800000 ; -1.0000000000
 S_C1 DC \$8009DE ; -0.9996988773
 S_C2 DC \$802778 ; -0.9987955093
 S_C3 DC \$8058C9 ; -0.9972904921
 S_C4 DC \$809DC9 ; -0.9951847792
 S_C5 DC \$80F66E ; -0.9924796224
 S_C6 DC \$8162AA ; -0.9891765118
 S_C7 DC \$81E26C ; -0.9852777123
 S_C8 DC \$8275A1 ; -0.9807853103
 S_C9 DC \$831C31 ; -0.9757022262
 S_CA DC \$83D604 ; -0.9700313210
 S_CB DC \$84A2FC ; -0.9637761116
 S_CC DC \$8582FB ; -0.9569402933
 S_CD DC \$8675DC ; -0.9495282173
 S_CE DC \$877B7C ; -0.9415441155
 S_CF DC \$8893B1 ; -0.9329928160
 S_D0 DC \$89BE51 ; -0.9238795042
 S_D1 DC \$8AFB2D ; -0.9142097235
 S_D2 DC \$8C4A14 ; -0.9039893150
 S_D3 DC \$8DAAD3 ; -0.8932244182
 S_D4 DC \$8F1D34 ; -0.8819212914
 S_D5 DC \$90A0FD ; -0.8700870275
 S_D6 DC \$9235F3 ; -0.8577286005
 S_D7 DC \$93DBD7 ; -0.8448535204
 S_D8 DC \$959267 ; -0.8314697146
 S_D9 DC \$975961 ; -0.8175848722
 S_DA DC \$99307F ; -0.8032075167
 S_DB DC \$9B1777 ; -0.7883464098
 S_DC DC \$9D0DFE ; -0.7730104923
 S_DD DC \$9F13C8 ; -0.7572088242
 S_DE DC \$A12883 ; -0.7409511805
 S_DF DC \$A34BDF ; -0.7242470980
 S_E0 DC \$A57D86 ; -0.7071068287
 S_E1 DC \$A7BD23 ; -0.6895405054
 S_E2 DC \$AA0A5B ; -0.6715589762
 S_E3 DC \$AC64D5 ; -0.6531729102
 S_E4 DC \$AECC33 ; -0.6343932748
 S_E5 DC \$B14017 ; -0.6152315736
 S_E6 DC \$B3C020 ; -0.5956993103
 S_E7 DC \$B64BEB ; -0.5758082271
 S_E8 DC \$B8E313 ; -0.5555701852
 S_E9 DC \$BB8533 ; -0.5349975824

```

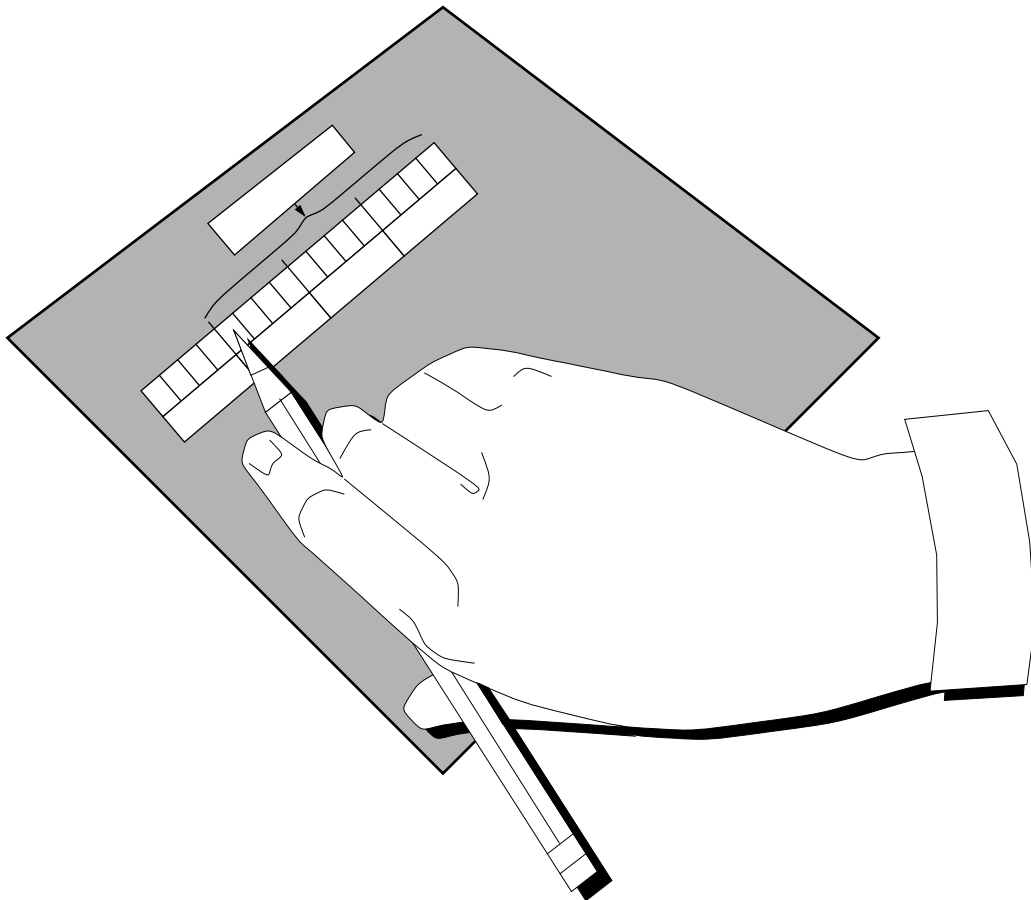
S_EA DC $BE31E2 ; -0.5141026974
S_EB DC $C0E8B6 ; -0.4928981960
S_EC DC $C3A946 ; -0.4713967144
S_ED DC $C67323 ; -0.4496113062
S_EE DC $C945E0 ; -0.4275551140
S_EF DC $CC210D ; -0.4052414000
S_F0 DC $CF043B ; -0.3826833963
S_F1 DC $D1EEF6 ; -0.3598949909
S_F2 DC $D4E0CB ; -0.3368898928
S_F3 DC $D7D947 ; -0.3136816919
S_F4 DC $DAD7F4 ; -0.2902846038
S_F5 DC $DDDC5B ; -0.2667128146
S_F6 DC $E0E607 ; -0.2429800928
S_F7 DC $E3F47E ; -0.2191012055
S_F8 DC $E70748 ; -0.1950902939
S_F9 DC $EA1DEC ; -0.1709619015
S_FA DC $ED37F0 ; -0.1467303932
S_FB DC $F054D9 ; -0.1224106997
S_FC DC $F3742D ; -0.0980170965
S_FD DC $F69570 ; -0.0735644996
S_FE DC $F9B827 ; -0.0490676016
S_FF DC $FCDBD5 ; -0.0245412998

```



APPENDIX A

PROGRAMMING REFERENCE





| | | |
|-----|------------------------------|-----|
| A.1 | INTRODUCTION..... | A-3 |
| A.2 | PERIPHERAL ADDRESSES..... | A-3 |
| A.3 | INTERRUPT ADDRESSES..... | A-3 |
| A.4 | INTERRUPT PRIORITIES..... | A-3 |
| A.5 | INSTRUCTION SET SUMMARY..... | A-3 |
| A.6 | PROGRAMMING SHEETS..... | A-3 |

A.1 INTRODUCTION

This section has been compiled as a reference for programmers. It contains a memory map showing the addresses of all the DSP's memory-mapped peripherals, an interrupt priority table, an instruction set summary, and programming sheets for all the programmable registers on the DSP. The programming sheets are grouped by the central processor and each peripheral, and provide room to write in the value of each bit and the hexadecimal value for each register. The programmer can photocopy these sheets and reuse them for each application development project.

A.2 PERIPHERAL ADDRESSES

Figure A-1 is a memory map of the on-chip peripherals showing their addresses in memory.

A.3 INTERRUPT ADDRESSES

Table A-1 on page B-5 lists the interrupt starting addresses and sources.

A.4 INTERRUPT PRIORITIES

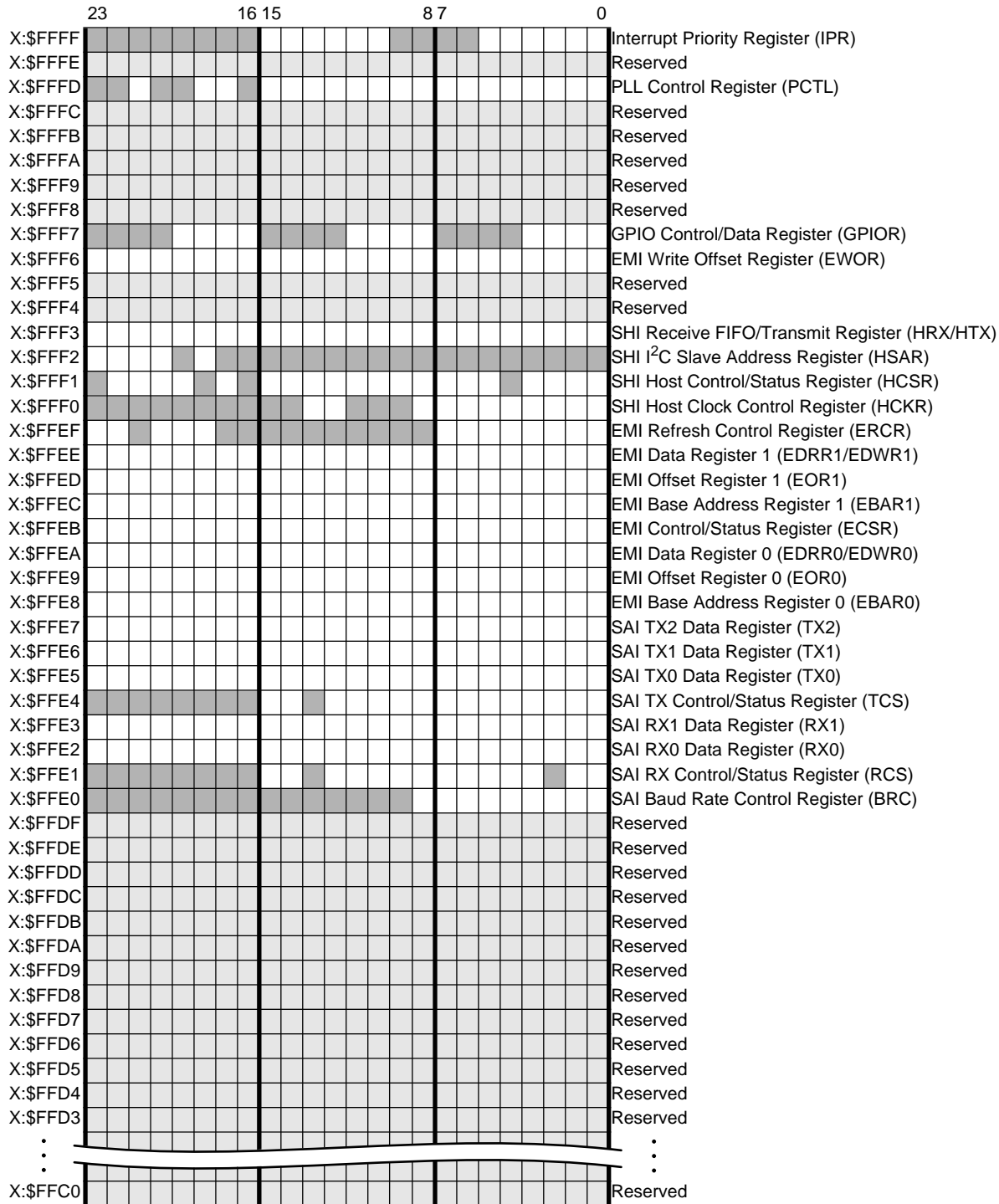
Table A-2 on page B-6 lists the priorities of specific interrupts within interrupt priority levels.

A.5 INSTRUCTION SET SUMMARY

Table A-3 on page B-7 summarizes the instruction set. For more detailed information about the instructions, consult the *DSP56000 Family Manual*.

A.6 PROGRAMMING SHEETS

Figure A-2 on page B-14 through **Figure A-17** on page B-29 are programming sheets for the complete set of programmable registers on the DSP.



- = Unused and reserved. Read as a random number. To ensure future compatibility, do not write to these registers.
- = Unused and reserved. Consult the appropriate chapter for information on how to ensure future compatibility.

Figure A-1 On-chip Peripheral Memory Map

Table A-1 Interrupt Starting Addresses and Sources

| Interrupt Starting Address | IPL | Interrupt Source |
|----------------------------|-----|---|
| P:\$0000 | 3 | Hardware $\overline{\text{RESET}}$ |
| P:\$0002 | 3 | Stack Error |
| P:\$0004 | 3 | Trace |
| P:\$0006 | 3 | SWI |
| P:\$0008 | 0–2 | $\overline{\text{IRQA}}$ |
| P:\$000A | 0–2 | $\overline{\text{IRQB}}$ |
| P:\$000C | | Reserved |
| P:\$000E | | Reserved |
| P:\$0010 | 0–2 | SAI Left Channel Transmitter if TXIL = 0 |
| P:\$0012 | 0–2 | SAI Right Channel Transmitter if TXIL = 0 |
| P:\$0014 | 0–2 | SAI Transmitter Exception if TXIL = 0 |
| P:\$0016 | 0–2 | SAI Left Channel Receiver if RXIL = 0 |
| P:\$0018 | 0–2 | SAI Right Channel Receiver if RXIL = 0 |
| P:\$001A | 0–2 | SAI Receiver Exception if RXIL = 0 |
| P:\$001C | | Reserved |
| P:\$001E | 3 | $\overline{\text{NMI}}$ |
| P:\$0020 | 0–2 | SHI Transmit Data |
| P:\$0022 | 0–2 | SHI Transmit Underrun Error |
| P:\$0024 | 0–2 | SHI Receive FIFO Not Empty |
| P:\$0026 | | Reserved |
| P:\$0028 | 0–2 | SHI Receive FIFO Full |
| P:\$002A | 0–2 | SHI Receive Overrun Error |
| P:\$002C | 0–2 | SHI Bus Error |
| P:\$002E | | Reserved |
| P:\$0030 | 0–2 | EMI Write Data |
| P:\$0032 | 0–2 | EMI Read Data |
| P:\$0034 | 0–2 | EMI EBAR0 Memory Wrap |
| P:\$0036 | 0–2 | EMI EBAR1 Memory Wrap |
| P:\$0038 | | Reserved |
| P:\$003A | | Reserved |
| P:\$003C | | Reserved |
| P:\$003E | 3 | Illegal Instruction |
| P: \$0040 | 0–2 | SAI Left Channel Transmitter if TXIL = 1 |
| P: \$0042 | 0–2 | SAI Right Channel Transmitter if TXIL = 1 |
| P: \$0044 | 0–2 | SAI Transmitter Exception if TXIL = 1 |

Table A-1 Interrupt Starting Addresses and Sources (Continued)

| Interrupt Starting Address | IPL | Interrupt Source |
|----------------------------|-----|--|
| P: \$0046 | 0–2 | SAI Left Channel Receiver if RXIL = 1 |
| P: \$0048 | 0–2 | SAI Right Channel Receiver if RXIL = 1 |
| P: \$004A | 0–2 | SAI Receiver Exception if RXIL = 1 |
| P: \$004C | | Reserved |
| : | | : |
| P: \$007E | | Reserved |

Table A-2 Interrupt Priorities Within an IPL

| Priority | Interrupt | |
|---------------------------|-------------------------------|----------------|
| Level 3 (Nonmaskable) | | |
| Highest | Hardware RESET | |
| | Illegal Instruction | |
| | NMI | |
| | Stack Error | |
| | Trace | |
| Lowest | SWI | |
| Levels 0, 1, 2 (Maskable) | | |
| Highest | IRQA (External Interrupt) | |
| | IRQB (External Interrupt) | |
| | SAI Receiver Exception | |
| | SAI Transmitter Exception | |
| | SAI Left Channel Receiver | |
| | SAI Left Channel Transmitter | |
| | SAI Right Channel Receiver | |
| | SAI Right Channel Transmitter | |
| | SHI Bus Error | |
| | SHI Receive Overrun Error | |
| | SHI Transmit Underrun Error | |
| | SHI Receive FIFO Full | |
| | SHI Transmit Data | |
| | SHI Receive FIFO Not Empty | |
| | EMI EBAR0 Memory Wrap | |
| | EMI EBAR1 Memory Wrap | |
| | EMI Read Data | |
| | Lowest | EMI Write Data |

Table A-3 Instruction Set Summary (Sheet 1 of 7)

| Mnemonic | Syntax | Parallel Moves | | Instruction Program Words | Osc. Clock Cycles | Status Request Bits: | | | | | | | |
|----------|-----------|-----------------|--|---------------------------|-------------------|----------------------|---|---|---|---|---|---|---|
| | | | | | | S | L | E | U | N | Z | V | C |
| ABS | D | (parallel move) | | 1 + mv | 2 + mv | * | * | * | * | * | * | * | — |
| ADC | S,D | (parallel move) | | 1 + mv | 2 + mv | * | * | * | * | * | * | * | * |
| ADD | S,D | (parallel move) | | 1 + mv | 2 + mv | * | * | * | * | * | * | * | * |
| ADDL | S,D | (parallel move) | | 1 + mv | 2 + mv | * | * | * | * | * | * | ? | * |
| ADDR | S,D | (parallel move) | | 1 + mv | 2 + mv | * | * | * | * | * | * | * | * |
| AND | S,D | (parallel move) | | 1 + mv | 2 + mv | * | * | — | — | ? | ? | 0 | — |
| AND(I) | #xx,D | | | 1 | 2 | ? | ? | ? | ? | ? | ? | ? | ? |
| ASL | D | (parallel move) | | 1 + mv | 2 + mv | * | * | * | * | * | * | ? | ? |
| ASR | D | (parallel move) | | 1 + mv | 2 + mv | * | * | * | * | * | * | 0 | ? |
| BCHG | #n,X:<aa> | | | 1 + ea | 4 + mvb | ? | ? | ? | ? | ? | ? | ? | ? |
| | #n,X:<pp> | | | | | | | | | | | | |
| | #n,X:<ea> | | | | | | | | | | | | |
| | #n,Y:<aa> | | | | | | | | | | | | |
| | #n,Y:<pp> | | | | | | | | | | | | |
| | #n,Y:<ea> | | | | | | | | | | | | |
| | #n,D | | | | | | | | | | | | |
| BCLR | #n,X:<aa> | | | 1 + ea | 4 + mvb | ? | ? | ? | ? | ? | ? | ? | ? |
| | #n,X:<pp> | | | | | | | | | | | | |
| | #n,X:<ea> | | | | | | | | | | | | |
| | #n,Y:<aa> | | | | | | | | | | | | |
| | #n,Y:<pp> | | | | | | | | | | | | |
| | #n,Y:<ea> | | | | | | | | | | | | |
| | #n,D | | | | | | | | | | | | |
| BSET | #n,X:<aa> | | | 1 + ea | 4 + mvb | ? | ? | ? | ? | ? | ? | ? | ? |
| | #n,X:<pp> | | | | | | | | | | | | |
| | #n,X:<ea> | | | | | | | | | | | | |
| | #n,Y:<aa> | | | | | | | | | | | | |
| | #n,Y:<pp> | | | | | | | | | | | | |
| | #n,Y:<ea> | | | | | | | | | | | | |
| | #n,D | | | | | | | | | | | | |

— indicates that the bit is unaffected by the operation
 * indicates that the bit may be set according to the definition, depending on parallel move conditions
 ? indicates that the bit is set according to a special definition. See the instruction descriptions in **Appendix A** of the *DSP56000 Family Manual (DSP56KFAMUM/AD)*
 0 indicates that the bit is cleared

Table A-3 Instruction Set Summary (Sheet 2 of 7)

| Mnemonic | Syntax | Parallel Moves | | Instruction Program Words | Osc. Clock Cycles | Status Request Bits: | | | | | | | | |
|----------|----------------|-----------------|--|---------------------------|-------------------|----------------------|---|---|---|---|---|---|---|---|
| | | | | | | S | L | E | U | N | Z | V | C | |
| BTST | #n,X:<aa> | | | 1 + ea | 4 + mvb | — | * | — | — | — | — | — | — | ? |
| | #n,X:<pp> | | | | | | | | | | | | | |
| | #n,X:<ea> | | | | | | | | | | | | | |
| | #n,Y:<aa> | | | | | | | | | | | | | |
| | #n,Y:<pp> | | | | | | | | | | | | | |
| | #n,Y:<ea> | | | | | | | | | | | | | |
| | #n,D | | | | | | | | | | | | | |
| CLR | D | (parallel move) | | 1 + mv | 2 + mv | * | * | ? | ? | ? | ? | ? | ? | — |
| CMP | S1,S2 | (parallel move) | | 1 + mv | 2 + mv | * | * | * | * | * | * | * | * | * |
| CMPM | S1,S2 | (parallel move) | | 1 + mv | 2 + mv | * | * | * | * | * | * | * | * | * |
| DEBUG | | | | 1 | 4 | — | — | — | — | — | — | — | — | — |
| DEBUGcc | | | | 1 | 4 | — | — | — | — | — | — | — | — | — |
| DEC | D | | | 1 | 2 | — | * | * | * | * | * | * | * | * |
| DIV | S,D | | | 1 | 2 | — | * | — | — | — | — | ? | ? | |
| | | | | | | | | | | | | | | |
| DO | X:<ea>,expr | | | 2 | 6 + mv | * | * | — | — | — | — | — | — | — |
| | X:<aa>,expr | | | | | | | | | | | | | |
| | Y:<ea>,expr | | | | | | | | | | | | | |
| | Y:<aa>,expr | | | | | | | | | | | | | |
| | #xxx,expr | | | | | | | | | | | | | |
| | S,expr | | | | | | | | | | | | | |
| ENDDO | | | | 1 | 2 | — | — | — | — | — | — | — | — | — |
| EOR | S,D | (parallel move) | | 1 + mv | 2 + mv | * | * | — | — | ? | ? | 0 | — | — |
| ILLEGAL | | | | 1 | 8 | — | — | — | — | — | — | — | — | — |
| INC | D | | | 1 | 2 | — | * | * | * | * | * | * | * | * |
| Jcc | xxx | | | 1 + ea | 4 + jx | — | — | — | — | — | — | — | — | — |
| JCLR | #n,X:<ea>,xxxx | | | 2 | 6 + jx | * | * | — | — | — | — | — | — | — |
| | #n,X:<aa>,xxxx | | | | | | | | | | | | | |
| | #n,X:<pp>,xxxx | | | | | | | | | | | | | |
| | #n,Y:<ea>,xxxx | | | | | | | | | | | | | |
| | #n,Y:<aa>,xxxx | | | | | | | | | | | | | |
| | #n,Y:<pp>,xxxx | | | | | | | | | | | | | |
| | #n,S,xxxx | | | | | | | | | | | | | |

— indicates that the bit is unaffected by the operation
 * indicates that the bit may be set according to the definition, depending on parallel move conditions
 ? indicates that the bit is set according to a special definition. See the instruction descriptions in **Appendix A** of the *DSP56000 Family Manual (DSP56KFAMUM/AD)*
 0 indicates that the bit is cleared

Table A-3 Instruction Set Summary (Sheet 3 of 7)

| Mnemonic | Syntax | Parallel Moves | | Instruction Program Words | Osc. Clock Cycles | Status Request Bits: | | | | | | | |
|----------|----------------|-----------------|--|---------------------------|-------------------|----------------------|---|---|---|---|---|---|---|
| | | | | | | S | L | E | U | N | Z | V | C |
| JMP | xxxx | | | 1 + ea | 4 + jx | — | — | — | — | — | — | — | — |
| | ea | | | | | | | | | | | | |
| JScC | xxxx | | | 1 + ea | 4 + jx | — | — | — | — | — | — | — | — |
| | ea | | | | | | | | | | | | |
| JSCLR | #n,X:<ea>,xxxx | | | 2 | 6 + jx | * | * | — | — | — | — | — | — |
| | #n,X:<aa>,xxxx | | | | | | | | | | | | |
| | #n,X:<pp>,xxxx | | | | | | | | | | | | |
| | #n,Y:<ea>,xxxx | | | | | | | | | | | | |
| | #n,Y:<aa>,xxxx | | | | | | | | | | | | |
| | #n,Y:<pp>,xxxx | | | | | | | | | | | | |
| | #n,S,xxxx | | | | | | | | | | | | |
| JSET | #n,X:<ea>,xxxx | | | 2 | 6 + jx | * | * | — | — | — | — | — | — |
| | #n,X:<aa>,xxxx | | | | | | | | | | | | |
| | #n,X:<pp>,xxxx | | | | | | | | | | | | |
| | #n,Y:<ea>,xxxx | | | | | | | | | | | | |
| | #n,Y:<aa>,xxxx | | | | | | | | | | | | |
| | #n,Y:<pp>,xxxx | | | | | | | | | | | | |
| | #n,S,xxxx | | | | | | | | | | | | |
| JSR | xxx | | | 1 + ea | 4 + jx | — | — | — | — | — | — | — | — |
| | ea | | | | | | | | | | | | |
| JSSET | #n,X:<ea>,xxxx | | | 2 | 6 + jx | * | * | — | — | — | — | — | — |
| | #n,X:<aa>,xxxx | | | | | | | | | | | | |
| | #n,X:<pp>,xxxx | | | | | | | | | | | | |
| | #n,Y:<ea>,xxxx | | | | | | | | | | | | |
| | #n,Y:<aa>,xxxx | | | | | | | | | | | | |
| | #n,Y:<pp>,xxxx | | | | | | | | | | | | |
| | #n,S,xxxx | | | | | | | | | | | | |
| LSL | D | (parallel move) | | 1 + mv | 2 + mv | * | * | — | — | ? | ? | 0 | ? |
| LSR | D | (parallel move) | | 1 + mv | 2 + mv | * | * | — | — | ? | ? | 0 | ? |
| LUA | <ea>,D | | | 1 | 4 | — | — | — | — | — | — | — | — |
| MAC | (±)S2,S1,D | (parallel move) | | 1 + mv | 2 + mv | * | * | * | * | * | * | * | — |
| | (±)S1,S2,D | (parallel move) | | | | | | | | | | | |

— indicates that the bit is unaffected by the operation
 * indicates that the bit may be set according to the definition, depending on parallel move conditions
 ? indicates that the bit is set according to a special definition. See the instruction descriptions in **Appendix A** of the *DSP56000 Family Manual (DSP56KFAMUM/AD)*
 0 indicates that the bit is cleared

Table A-3 Instruction Set Summary (Sheet 4 of 7)

| Mnemonic | Syntax | Parallel Moves | | Instruction Program Words | Osc. Clock Cycles | Status Request Bits: | | | | | | | | | |
|----------|---------------------------------|---|--|---------------------------|-------------------|----------------------|---|---|---|---|---|---|---|---|---|
| | | | | | | S | L | E | U | N | Z | V | C | | |
| | (±)S,#n,D | (no parallel move) | | 1 | 2 | | | | | | | | | | |
| MACR | (±)S2,S1,D | (parallel move) | | 1 + mv | 2 + mv | * | * | * | * | * | * | * | * | * | — |
| | (±)S1,S2,D | (parallel move) | | | | | | | | | | | | | |
| | (±)S,#n,D | (no parallel move) | | 1 | 2 | | | | | | | | | | |
| MOVE | S,D | | | 1 + mv | 2 + mv | * | * | | | | | | | | |
| | No parallel data move | (.....) | | mv | mv | | | | | | | | | | |
| | Immediate short data move | (.....)#xx,D | | mv | mv | | | | | | | | | | |
| | Register to register data move | (.....)S,D | | mv | mv | * | * | | | | | | | | |
| | Address register update | (.....)ea | | mv | mv | | | | | | | | | | |
| | X memory data move | (.....)X:<ea>,D (.....)X:<aa>,D (.....)S,X:<ea> (.....)S,X:<aa> (.....)#xxxxxx,D | | mv | mv | * | * | | | | | | | | |
| | Register and X memory data move | (.....)X:<ea>,D1 S2,D2 (.....)S1,X:<ea> S2,D2 | | mv | mv | * | * | | | | | | | | |
| | | (.....)#xxxxxx,D1 S2,D2 (.....)A,X:<ea> X0,A (.....)B,X:<ea> X0,B | | | | | | | | | | | | | |
| | Y memory data move | (.....)Y:<ea>,D (.....)Y:<aa>,D (.....)S,Y:<ea> (.....)S,Y:<aa> (.....)#xxxxxx,D | | mv | mv | * | * | | | | | | | | |
| | Register and Y memory data move | (.....)S1,D1 Y:<ea>,D2 (.....)S1,D1 S2,Y:<ea> (.....)S1,D1 #xxxxxx,D2 (.....)Y0,A A,Y:<ea> (.....)Y0,B B,Y:<ea> | | mv | mv | * | * | | | | | | | | |

— indicates that the bit is unaffected by the operation
 * indicates that the bit may be set according to the definition, depending on parallel move conditions
 ? indicates that the bit is set according to a special definition. See the instruction descriptions in **Appendix A** of the *DSP56000 Family Manual (DSP56KFAMUM/AD)*
 0 indicates that the bit is cleared

Table A-3 Instruction Set Summary (Sheet 5 of 7)

| Mnemonic | Syntax | Parallel Moves | | Instruction Program Words | Osc. Clock Cycles | Status Request Bits: | | | | | | | | | |
|-----------------------|-------------------|----------------|--|---------------------------|-------------------|----------------------|---|---|---|---|---|---|---|---|---|
| | | | | | | S | L | E | U | N | Z | V | C | | |
| Long memory data move | (.....)L:<ea>,D | | | mv | mv | * | * | — | — | — | — | — | — | — | |
| | (.....)L:<aa>,D | | | | | | | | | | | | | | |
| | (.....)S,L:<ea> | | | | | | | | | | | | | | |
| | (.....)S,L:<aa> | | | | | | | | | | | | | | |
| XY memory data move | (.....)X:<eax>,D1 | Y:<eay>,D2 | | mv | mv | * | * | — | — | — | — | — | — | — | |
| | (.....)X:<eax>,D1 | S2,Y:<eay> | | | | | | | | | | | | | |
| | (.....)S1,X:<eax> | Y:<eay>,D2 | | | | | | | | | | | | | |
| | (.....)S1,X:<eax> | S2,Y:<eay> | | | | | | | | | | | | | |
| MOVE(C) | X:<ea>,D1 | | | 1 + ea | 2 + mvc | ? | ? | ? | ? | ? | ? | ? | ? | ? | |
| | X:<aa>,D1 | | | | | | | | | | | | | | |
| | S1,X:<ea> | | | | | | | | | | | | | | |
| | S1,X:<aa> | | | | | | | | | | | | | | |
| | Y:<ea>,D1 | | | | | | | | | | | | | | |
| | Y:<aa>,D1 | | | | | | | | | | | | | | |
| | S1,Y:<ea> | | | | | | | | | | | | | | |
| | S1,Y:<aa> | | | | | | | | | | | | | | |
| | S1,D2 | | | | | | | | | | | | | | |
| | S2,D1 | | | | | | | | | | | | | | |
| | #xxxx,D1 | | | | | | | | | | | | | | |
| | #xx,D1 | | | | | | | | | | | | | | |
| | MOVE(M) | P:<ea>,D | | | 1 + ea | 2 + mvm | ? | ? | ? | ? | ? | ? | ? | ? | ? |
| | | S,P:<ea> | | | | | | | | | | | | | |
| S,P:<aa> | | | | | | | | | | | | | | | |
| P:<aa>,D | | | | | | | | | | | | | | | |
| MOVE(P) | X:<pp>,D | | | 1 + ea | 2 + mvp | ? | ? | ? | ? | ? | ? | ? | ? | ? | |
| | X:<pp>,X:<ea> | | | | | | | | | | | | | | |
| | X:<pp>,Y:<ea> | | | | | | | | | | | | | | |
| | X:<pp>,P:<ea> | | | | | | | | | | | | | | |
| | S,X:<pp> | | | | | | | | | | | | | | |
| | #xxxxxx,X:<pp> | | | | | | | | | | | | | | |
| | X:<ea>,X:<pp> | | | | | | | | | | | | | | |

— indicates that the bit is unaffected by the operation
 * indicates that the bit may be set according to the definition, depending on parallel move conditions
 ? indicates that the bit is set according to a special definition. See the instruction descriptions in **Appendix A** of the *DSP56000 Family Manual (DSP56KFAMUM/AD)*
 0 indicates that the bit is cleared

Table A-3 Instruction Set Summary (Sheet 6 of 7)

| Mnemonic | Syntax | Parallel Moves | | Instruction Program Words | Osc. Clock Cycles | Status Request Bits: | | | | | | | | |
|------------------------|----------------|--------------------|--|---------------------------|-------------------|----------------------|---|---|---|---|---|---|---|---|
| | | | | | | S | L | E | U | N | Z | V | C | |
| MOVE(P) (continued) | Y:<ea>,X:<pp> | | | | | | | | | | | | | |
| | P:<ea>,X:<pp> | | | | | | | | | | | | | |
| | Y:<pp>,D | | | | | | | | | | | | | |
| | Y:<pp>,X:<ea> | | | | | | | | | | | | | |
| | Y:<pp>,Y:<ea> | | | | | | | | | | | | | |
| | Y:<pp>,P:<ea> | | | | | | | | | | | | | |
| | S,Y:<pp> | | | | | | | | | | | | | |
| | #xxxxxx,Y:<pp> | | | | | | | | | | | | | |
| | X:<ea>,Y:<pp> | | | | | | | | | | | | | |
| | Y:<ea>,Y:<pp> | | | | | | | | | | | | | |
| P:<ea>,Y:<pp> | | | | | | | | | | | | | | |
| MPY | (±)S2,S1,D | (parallel move) | | 1 + mv | 2 + mv | * | * | * | * | * | * | * | * | — |
| | (±)S1,S2,D | (parallel move) | | | | | | | | | | | | |
| | (±)S,#n,D | (no parallel move) | | 1 | 2 | | | | | | | | | |
| MPYR | (±)S2,S1,D | (parallel move) | | 1 + mv | 2 + mv | * | * | * | * | * | * | * | * | — |
| | (±)S1,S2,D | (parallel move) | | | | | | | | | | | | |
| | (±)S,#n,D | (no parallel move) | | 1 | 2 | | | | | | | | | |
| NEG | D | (parallel move) | | 1 + mv | 2 + mv | * | * | * | * | * | * | * | * | — |
| NOP | | | | 1 | 2 | | | | | | | | | |
| NORM | Rn,D | | | 1 | 2 | | * | * | * | * | * | * | ? | — |
| NOT | D | (parallel move) | | 1 + mv | 2 + mv | * | * | | | ? | ? | ? | ? | 0 |
| OR | S,D | (parallel move) | | 1 + mv | 2 + mv | * | * | | | ? | ? | ? | ? | 0 |
| ORI | #xx,D | | | 1 | 2 | ? | ? | ? | ? | ? | ? | ? | ? | ? |
| REP | X:<ea> | | | 1 | 4 + mv | ? | ? | | | | | | | |
| | X:<aa> | | | | | | | | | | | | | |
| | Y:<ea> | | | | | | | | | | | | | |
| | Y:<aa> | | | | | | | | | | | | | |
| | S | | | | | | | | | | | | | |
| | #xxx | | | | | | | | | | | | | |
| RESET | | | | 1 | 4 | | | | | | | | | |
| RND | D | (parallel move) | | 1 + mv | 2 + mv | * | * | * | * | * | * | * | * | — |

— indicates that the bit is unaffected by the operation
 * indicates that the bit may be set according to the definition, depending on parallel move conditions
 ? indicates that the bit is set according to a special definition. See the instruction descriptions in **Appendix A** of the *DSP56000 Family Manual (DSP56KFAMUM/AD)*
 0 indicates that the bit is cleared

Table A-3 Instruction Set Summary (Sheet 7 of 7)

| Mnemonic | Syntax | Parallel Moves | | Instruction Program Words | Osc. Clock Cycles | Status Request Bits: | | | | | | | |
|----------|-------------|-----------------|--|---------------------------|-------------------|----------------------|---|---|---|---|---|---|---|
| | | | | | | S | L | E | U | N | Z | V | C |
| ROL | D | (parallel move) | | 1 + mv | 2 + mv | * | * | — | — | ? | ? | 0 | ? |
| ROR | D | (parallel move) | | 1 + mv | 2 + mv | * | * | — | — | ? | ? | 0 | ? |
| RTI | | | | 1 | 4 + rx | ? | ? | ? | ? | ? | ? | ? | ? |
| RTS | | | | 1 | 4 + rx | — | — | — | — | — | — | — | — |
| SBC | S,D | (parallel move) | | 1 + mv | 2 + mv | * | * | * | * | * | * | * | * |
| STOP | | | | 1 | n/a | — | — | — | — | — | — | — | — |
| SUB | S,D | (parallel move) | | 1 + mv | 2 + mv | * | * | * | * | * | * | * | * |
| SUBL | S,D | (parallel move) | | 1 + mv | 2 + mv | * | * | * | * | * | * | ? | * |
| SUBR | S,D | (parallel move) | | 1 + mv | 2 + mv | * | * | * | * | * | * | * | * |
| SWI | | | | 1 | 8 | — | — | — | — | — | — | — | — |
| Tcc | S1,D1 | | | 1 | 2 | — | — | — | — | — | — | — | — |
| | S1,D1 S2,D2 | | | | | — | — | — | — | — | — | — | — |
| TFR | S,D | (parallel move) | | 1 + mv | 2 + mv | * | * | — | — | — | — | — | — |
| TST | S | (parallel move) | | 1 + mv | 2 + mv | * | * | * | * | * | * | 0 | — |
| WAIT | | | | 1 | n/a | — | — | — | — | — | — | — | — |

— indicates that the bit is unaffected by the operation
 * indicates that the bit may be set according to the definition, depending on parallel move conditions
 ? indicates that the bit is set according to a special definition. See the instruction descriptions in **Appendix A** of the *DSP56000 Family Manual (DSP56KFAMUM/AD)*
 0 indicates that the bit is cleared

Application: _____

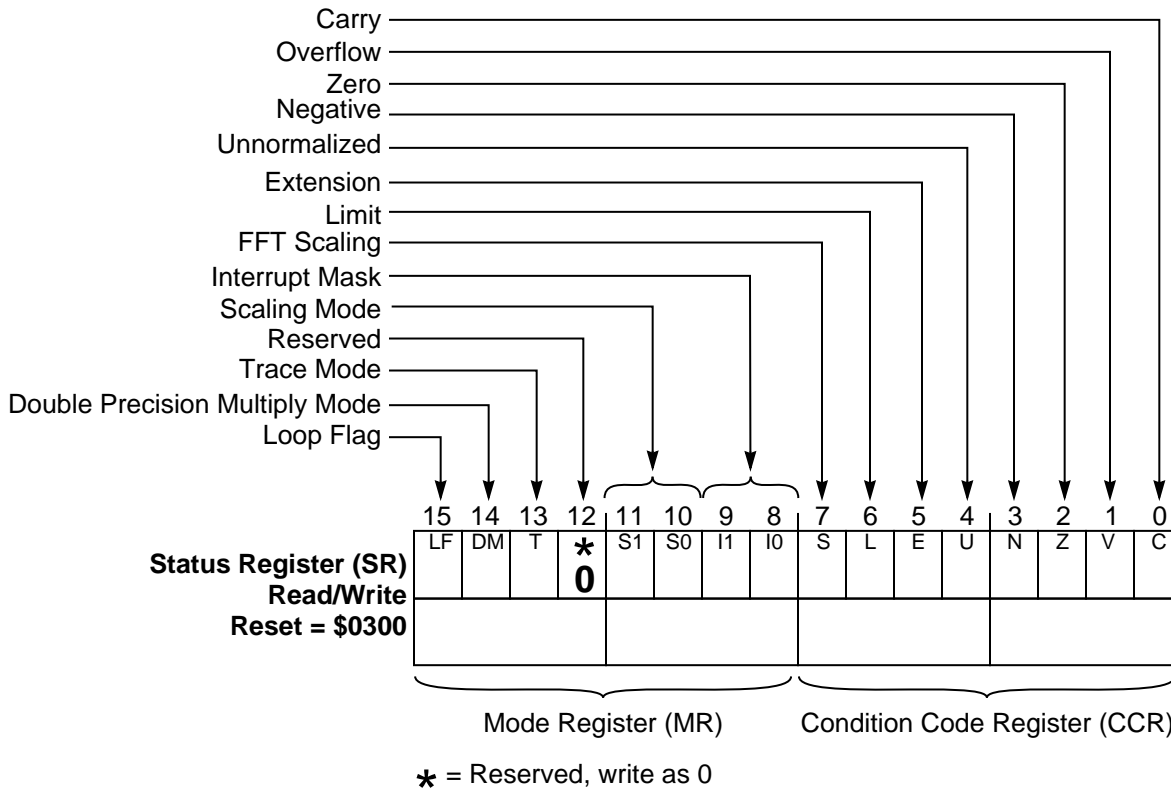
Date: _____

Programmer: _____

Sheet 1 of 4

Freescale Semiconductor, Inc.

CENTRAL PROCESSOR



Note: The operation and function of the Status Register is detailed in the *DSP56000 Family Manual*

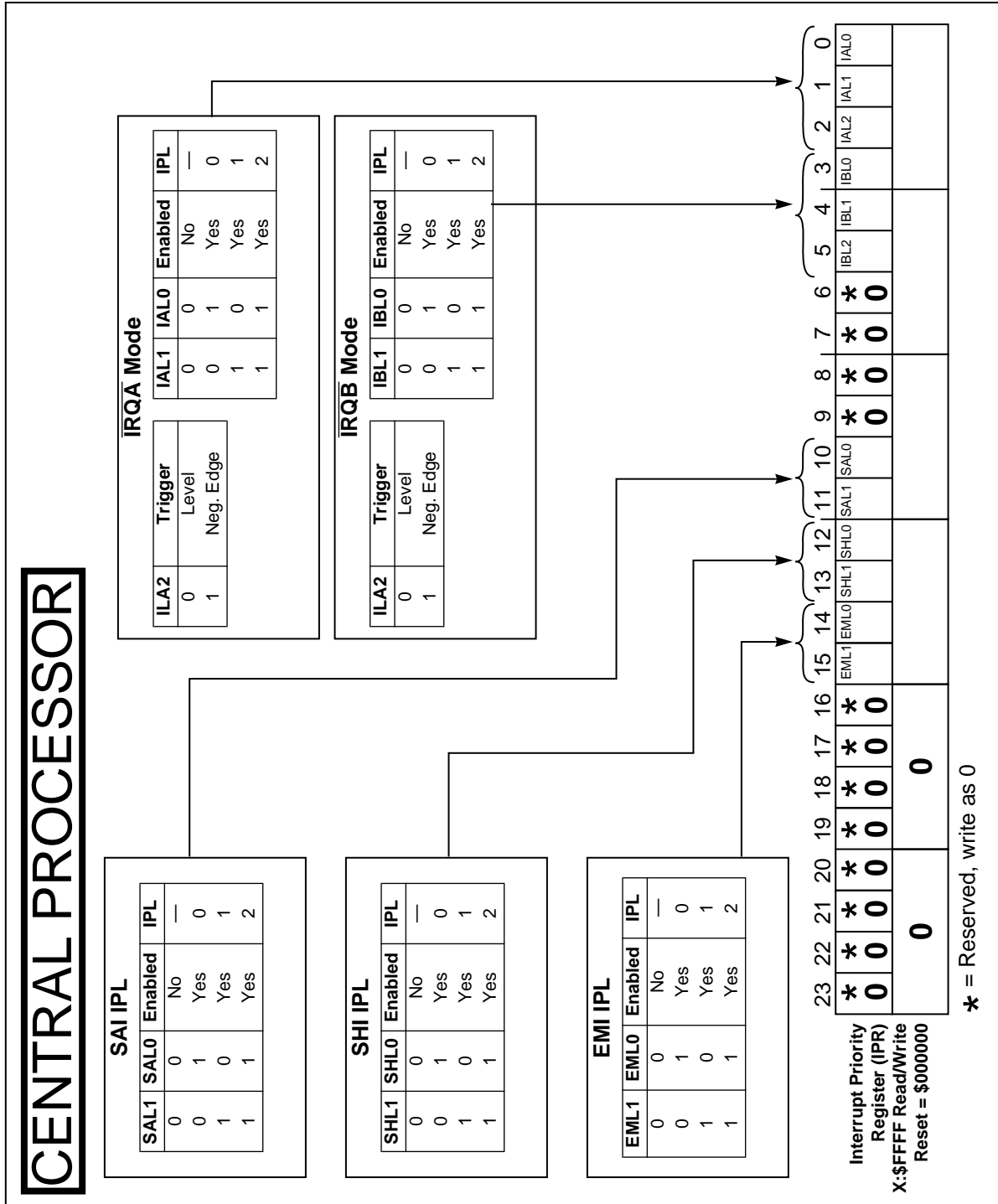
Figure A-2 Status Register (SR)

Application: _____

Date: _____

Programmer: _____

Sheet 2 of 4



Application: _____

Date: _____

Programmer: _____

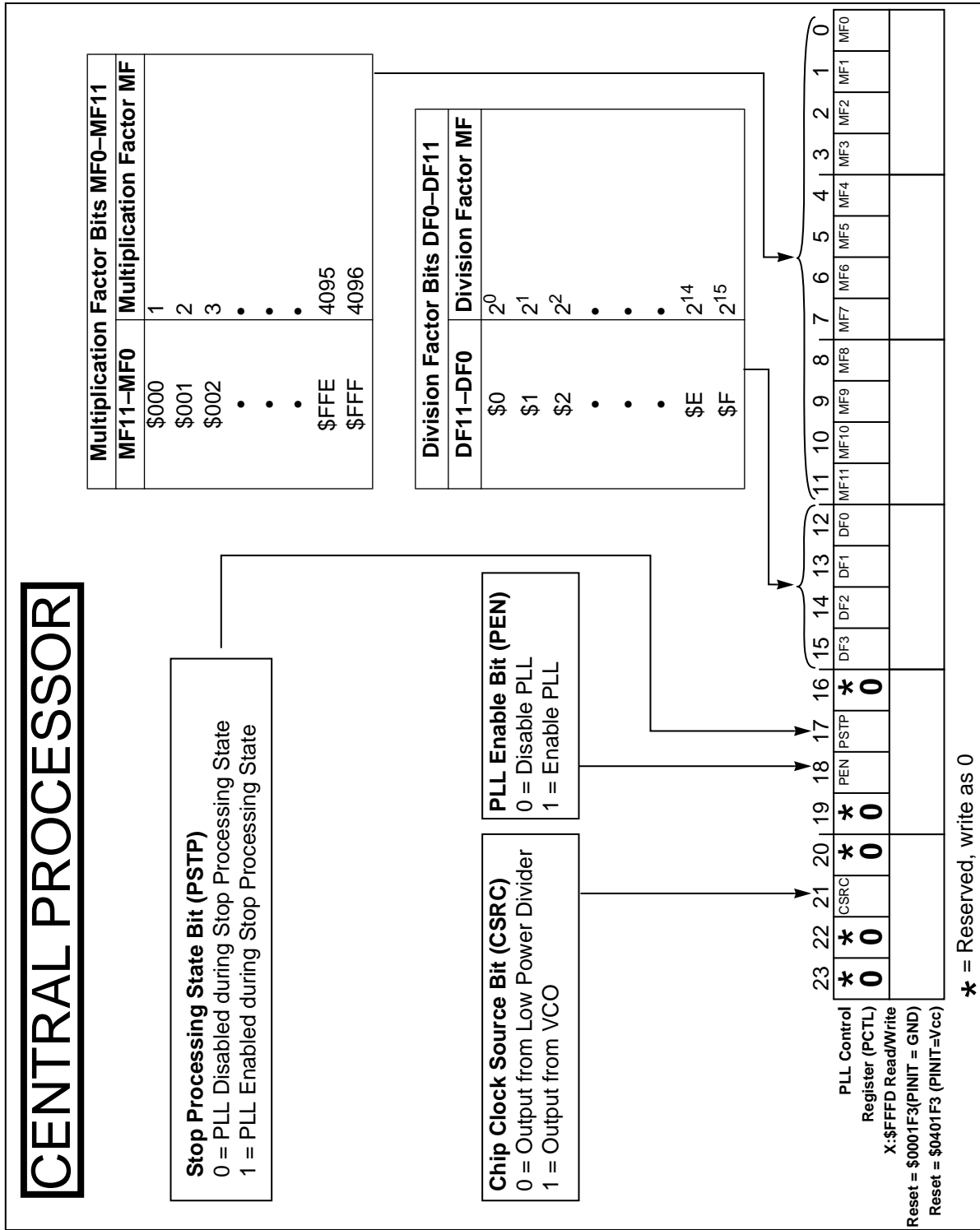


Figure A-5 PLL Control Register (PCTL)

Application: _____

Date: _____
Programmer: _____

Sheet 1 of 4

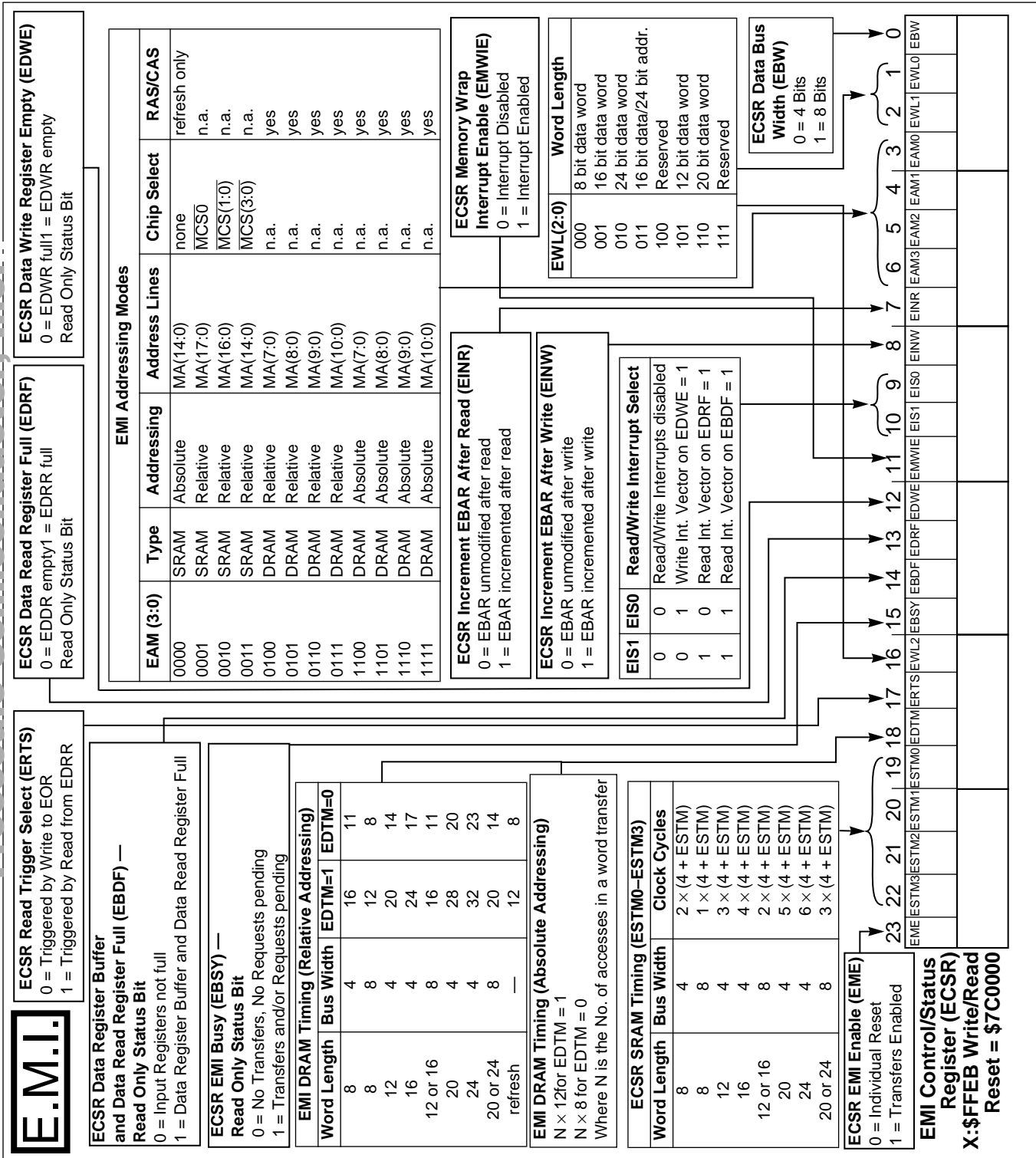


Figure A-6 EMI Control/Status Register (ECSR)

Application: _____

Date: _____

Programmer: _____

Sheet 2 of 4

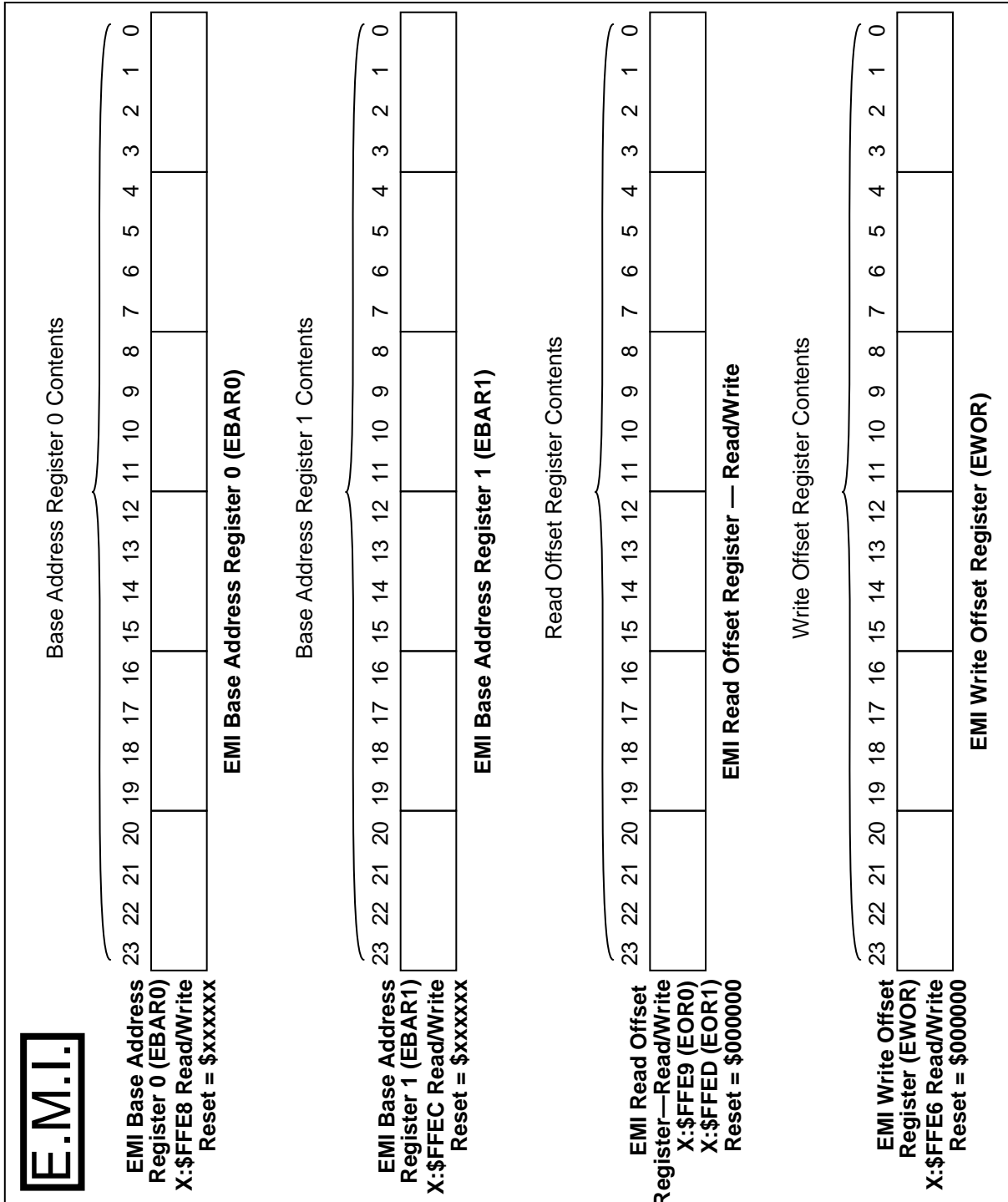


Figure A-7 EMI Base Address and Offset Registers

Application: _____

Date: _____

Programmer: _____

Sheet 3 of 4

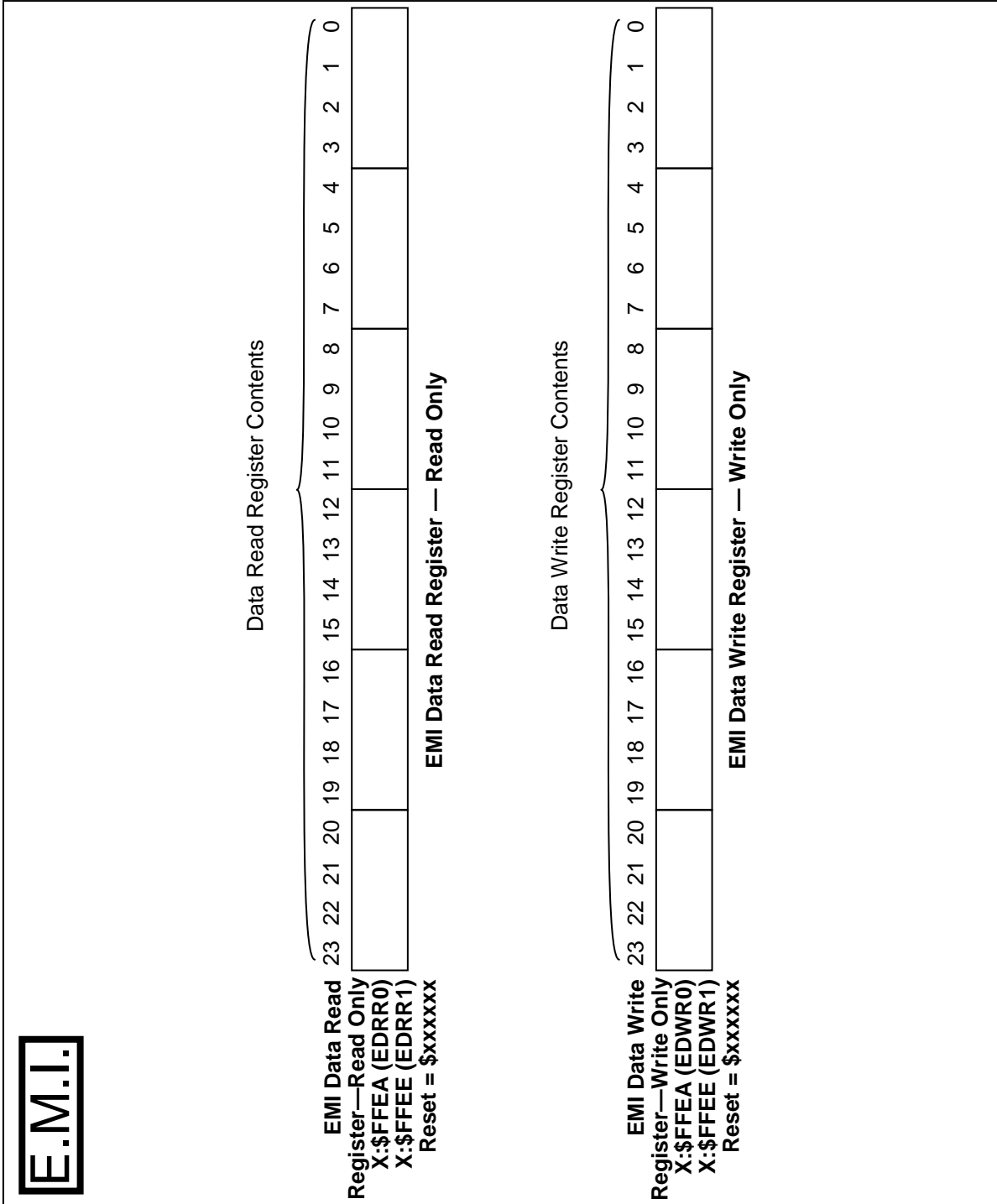


Figure A-8 EMI Data Registers

Application: _____

Date: _____

Programmer: _____

Sheet 4 of 4

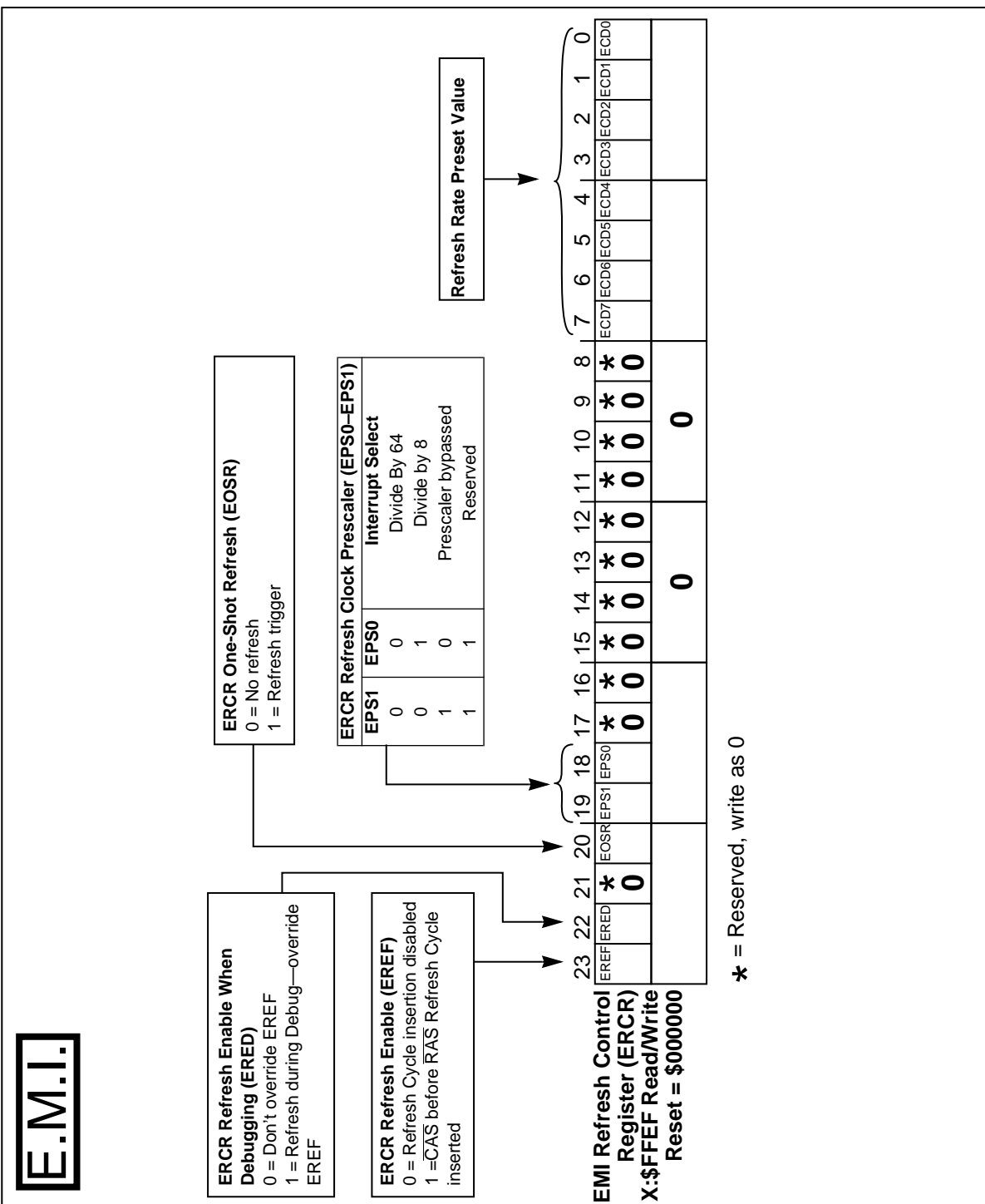


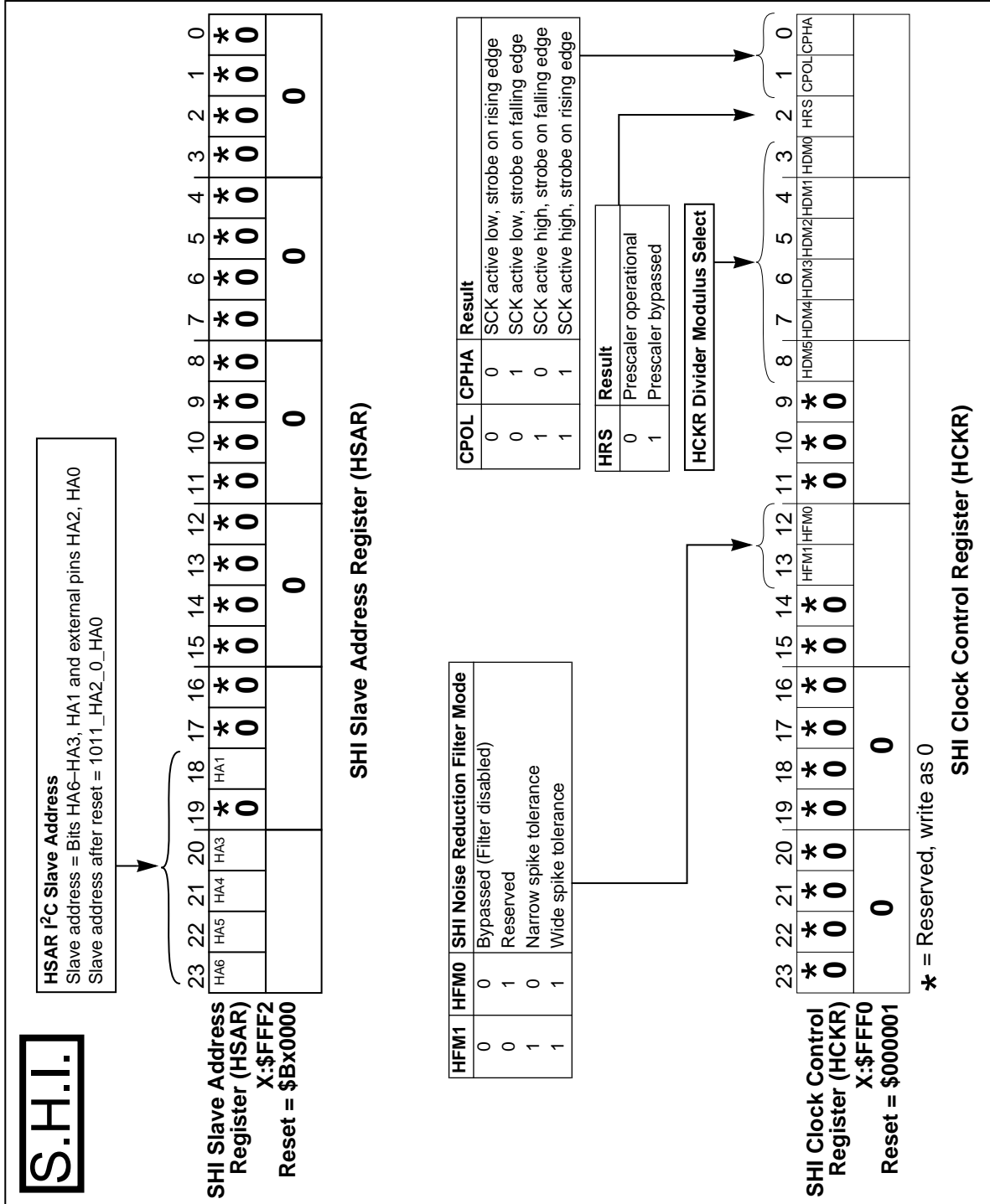
Figure A-9 EMI Refresh Control Register (ERCR)

Application: _____

Date: _____

Programmer: _____

Sheet 1 of 3



Application: _____

Date: _____

Programmer: _____

Sheet 2 of 3

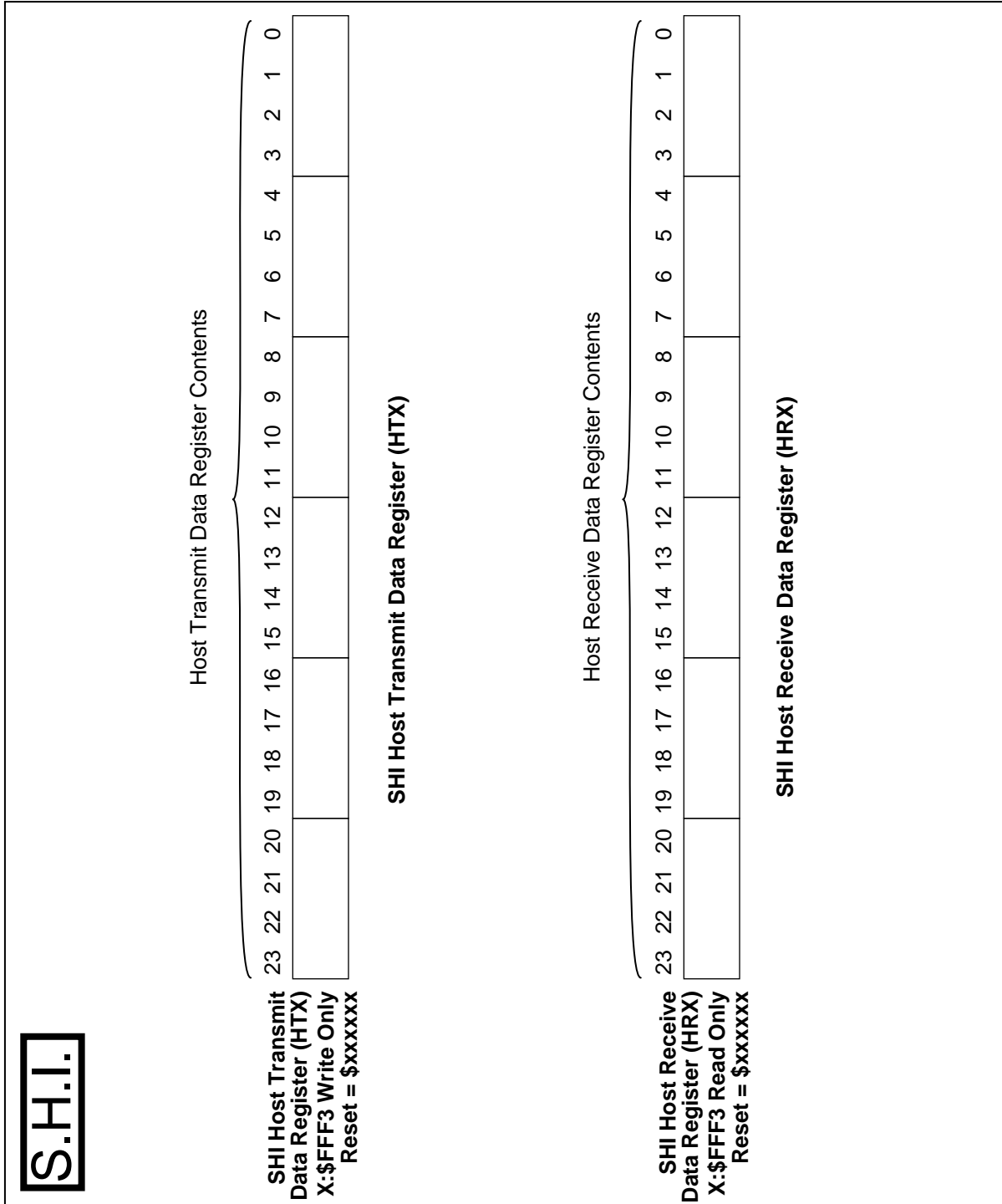


Figure A-11 SHI Host Data Registers

Application: _____

Date: _____

Programmer: _____

Sheet 3 of 3

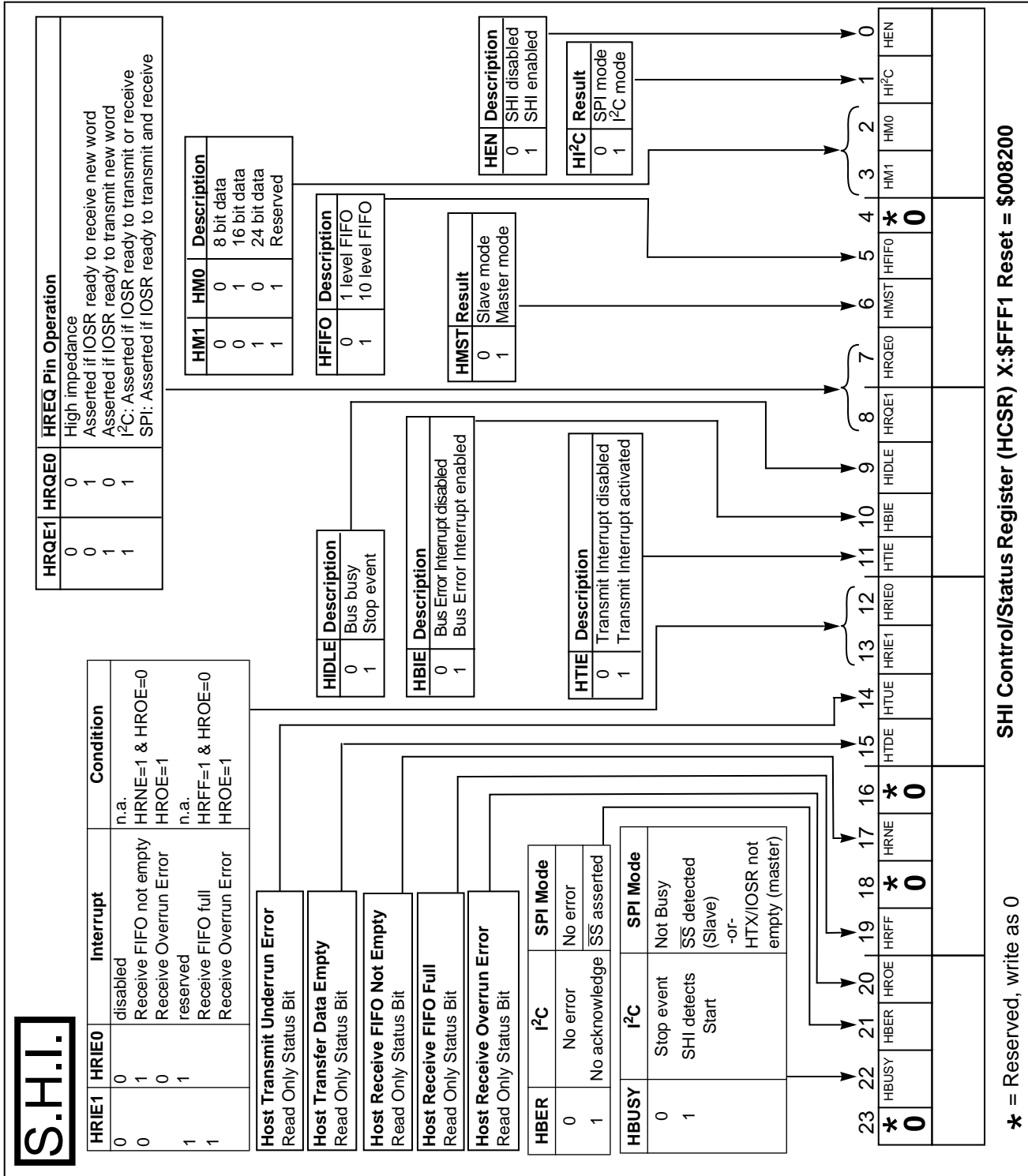


Figure A-12 SHI Control/Status Register (HCSR)

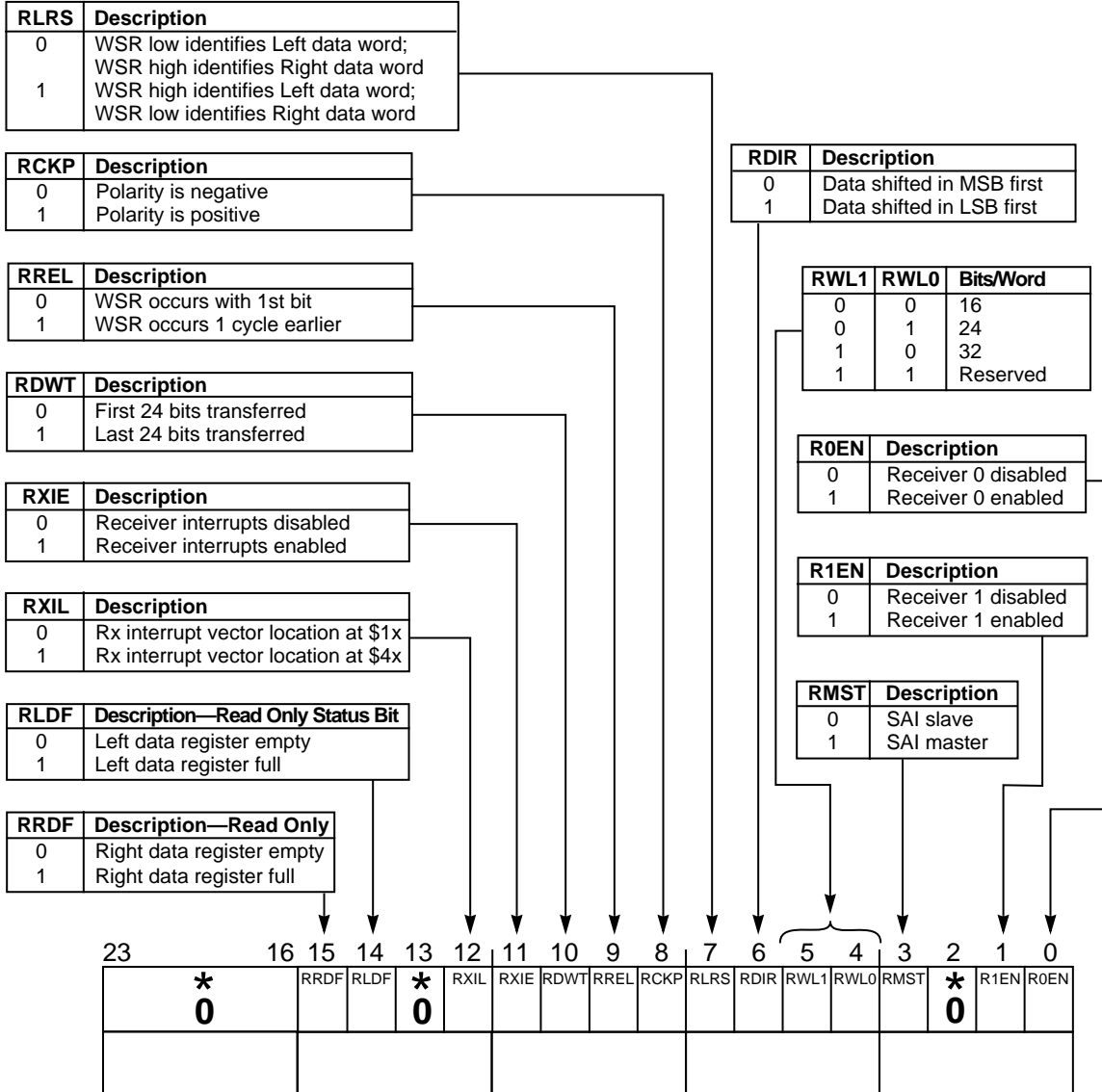
Application: _____

Date: _____

Programmer: _____

Sheet 1 of 4

S.A.I.



Receiver Control/Status Register (RCS) X:\$FFE1 Reset = \$0000

* = Reserved, write as 0

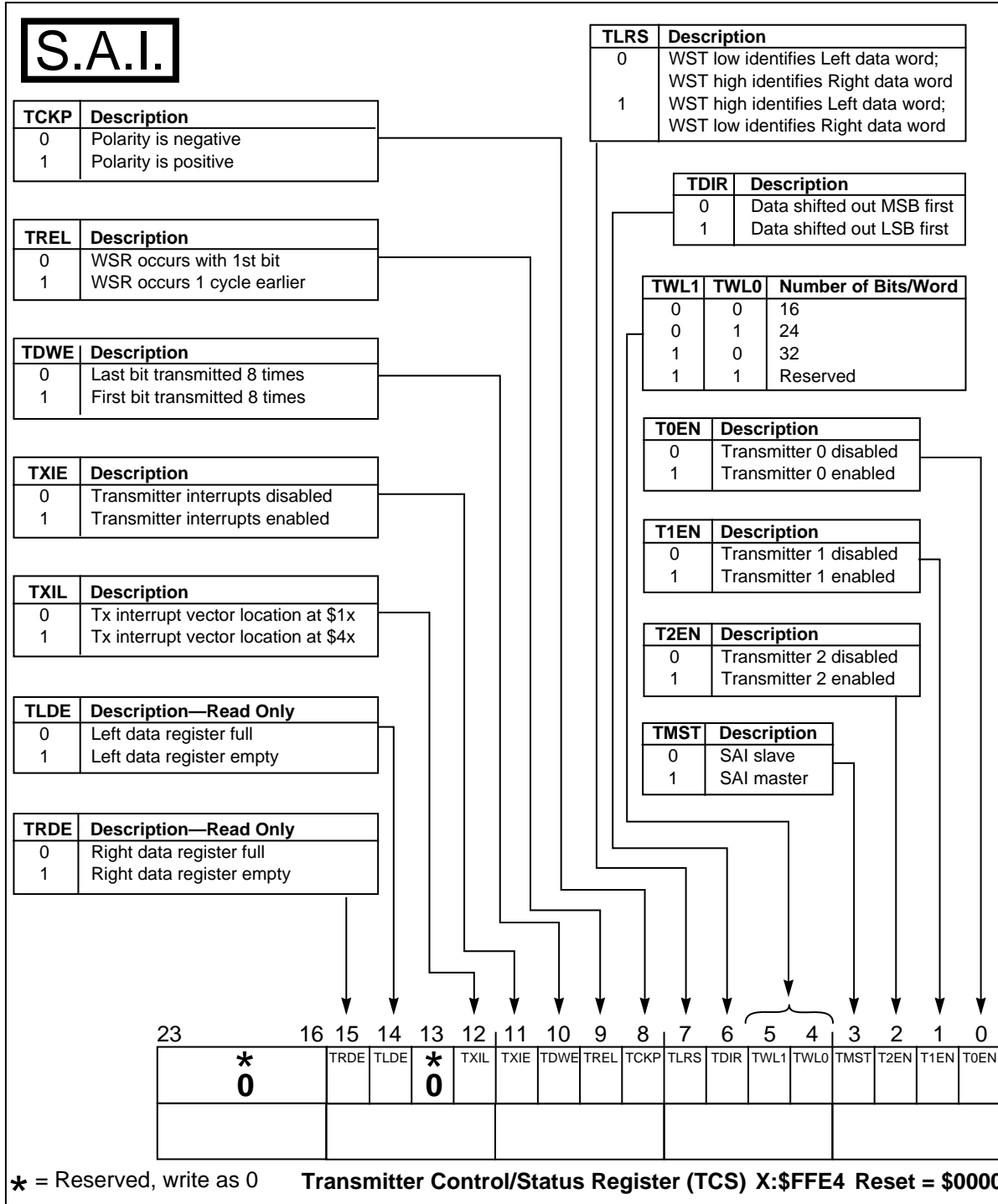
Figure A-13 SAI Receiver Control/Status Register (RCS)

Application: _____

Date: _____

Programmer: _____

Sheet 2 of 4


Figure A-14 SAI Transmitter Control/Status Register (TCS)

Application: _____

Date: _____

Programmer: _____

Sheet 3 of 4

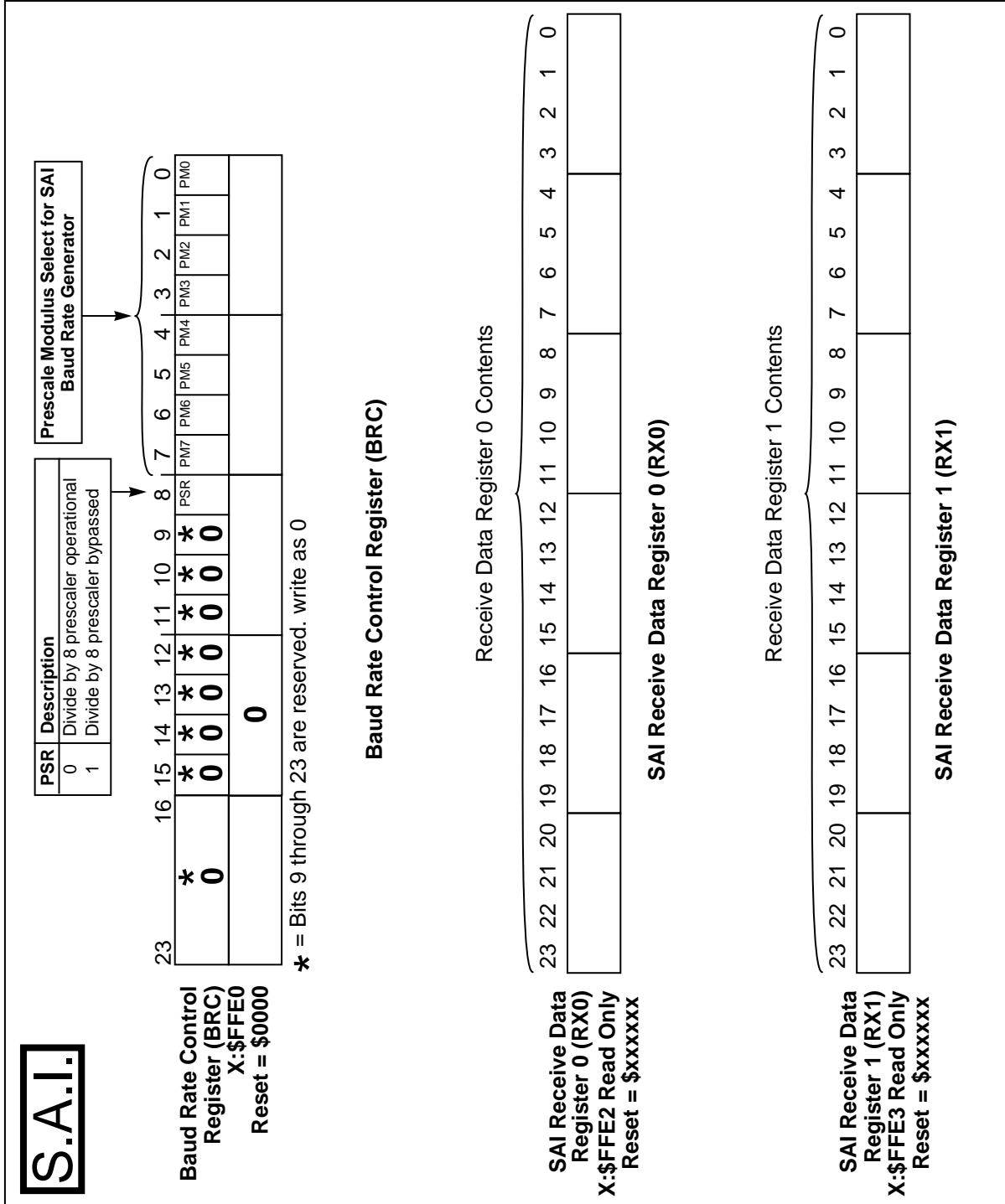


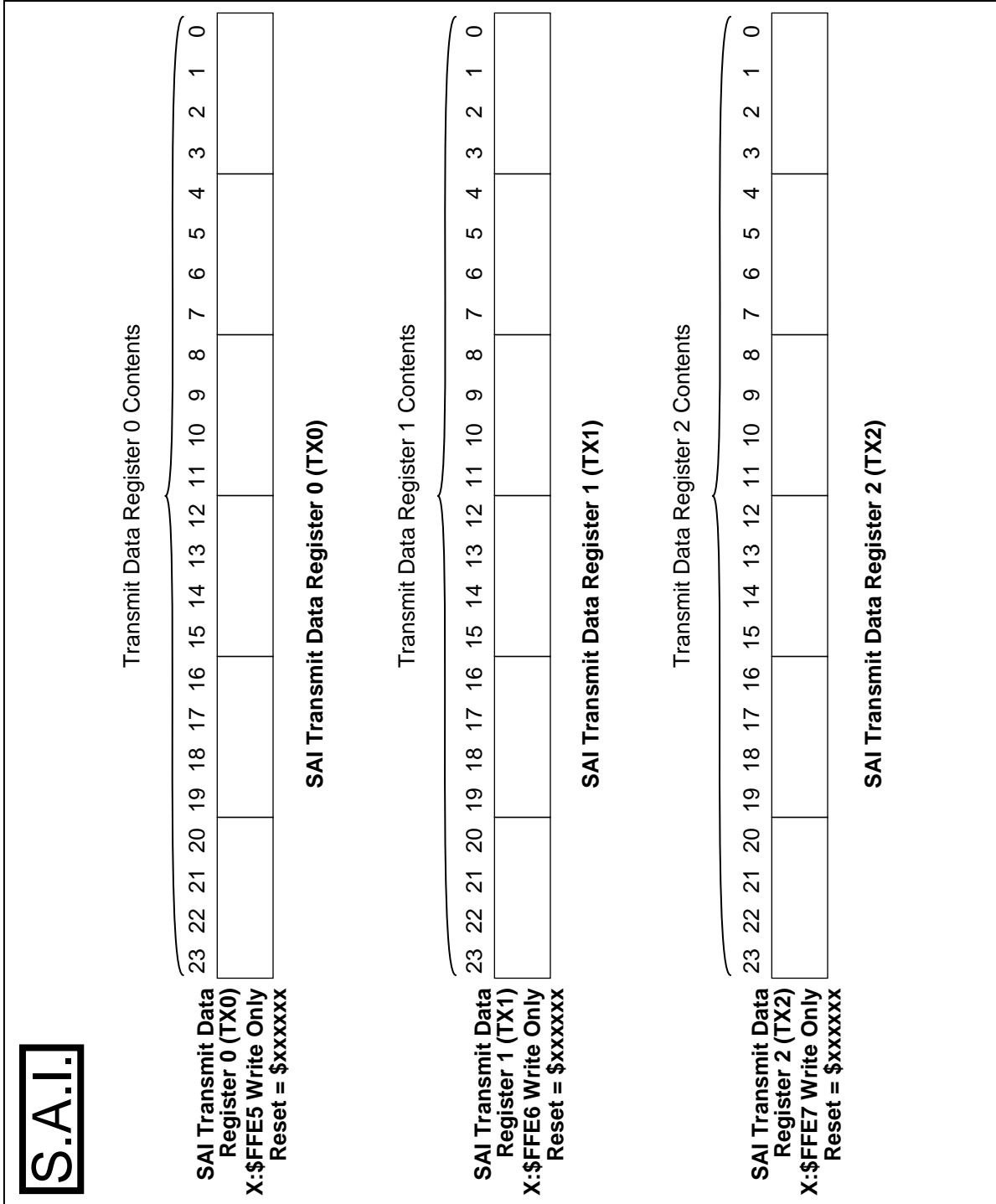
Figure A-15 SAI Baud Rate Control and Receive Data Registers

Application: _____

Date: _____

Programmer: _____

Sheet 4 of 4



Application: _____

Date: _____
 Programmer: _____

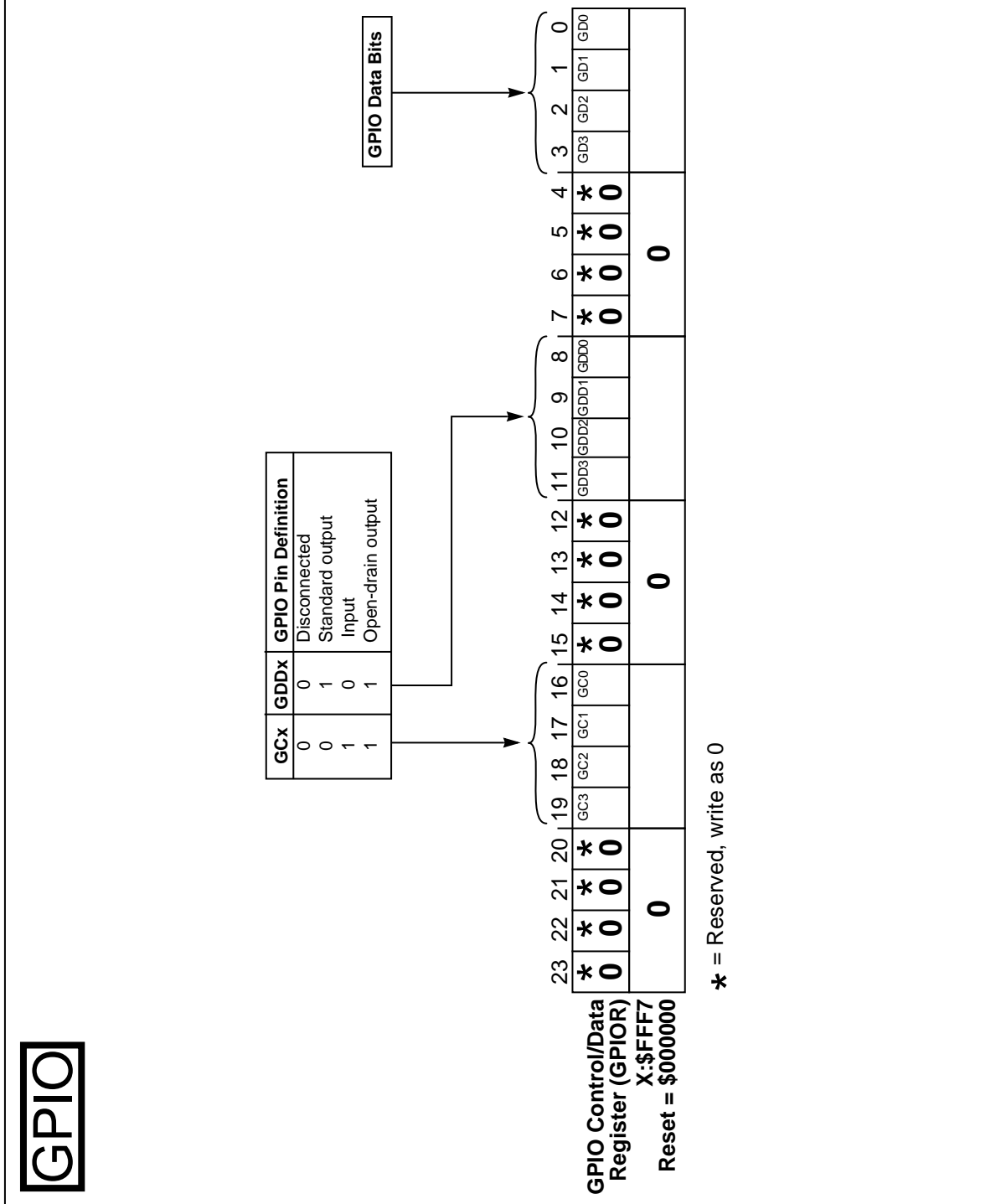
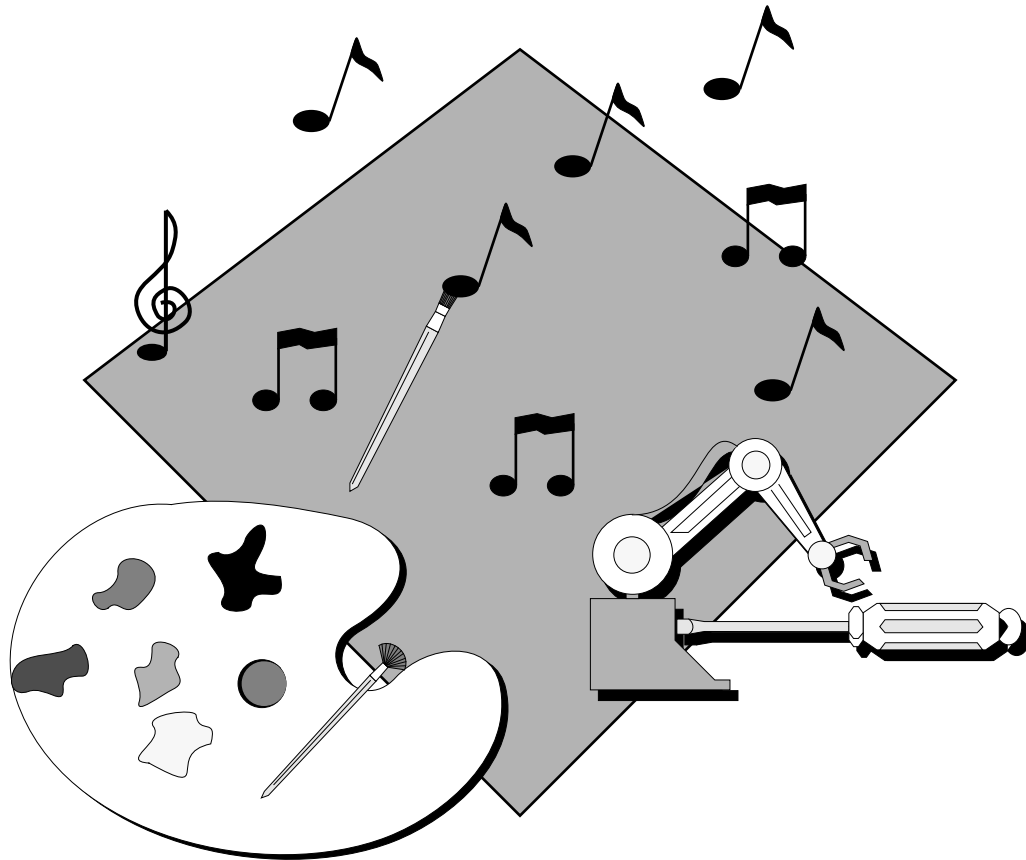


Figure A-17 GPIO Control/Data Register (GPIOR)



APPENDIX A

APPLICATION EXAMPLES



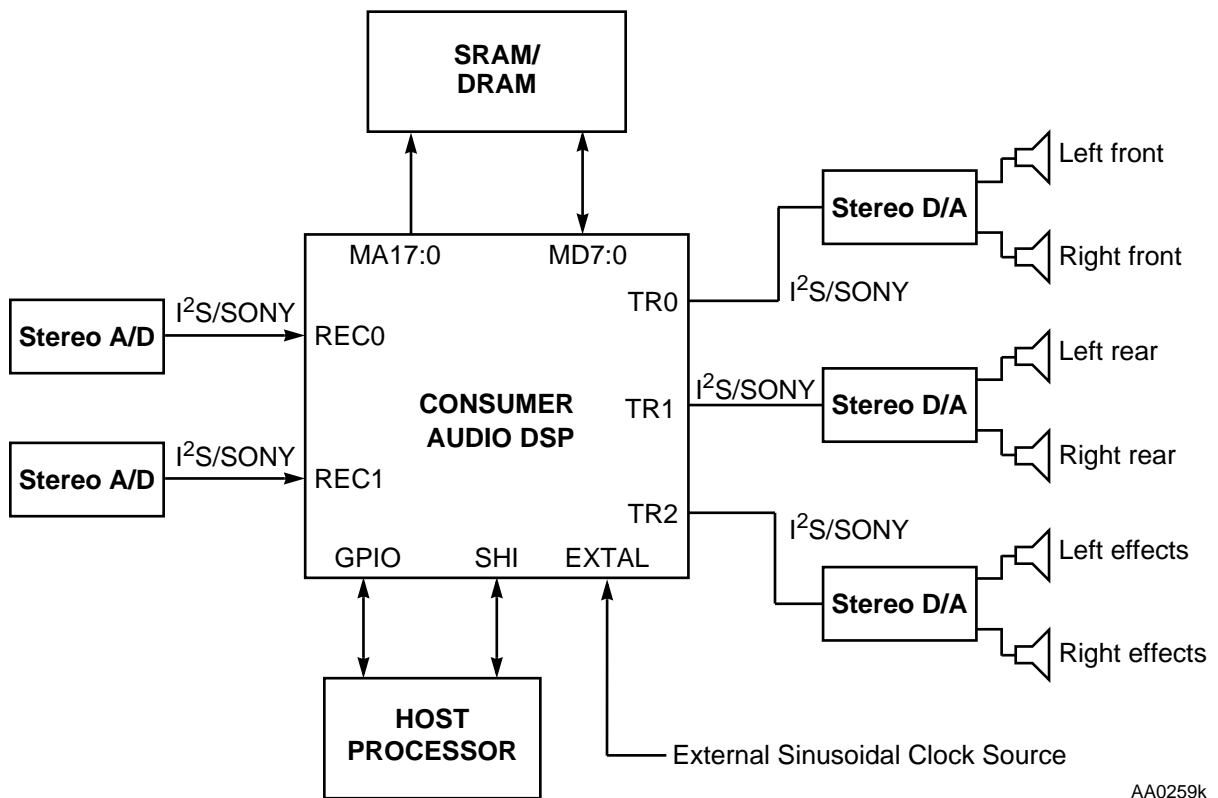
| | | |
|-----|-------------------------------|-----|
| A.1 | INTRODUCTION | A-3 |
| A.2 | TYPICAL SYSTEM TOPOLOGY | A-3 |
| A.3 | PROGRAM OVERLAY | A-4 |
| A.4 | SINGLE DELAY LINE | A-4 |
| A.5 | EARLY REFLECTION FILTER | A-5 |
| A.6 | TWO CHANNEL COMB FILTER | A-6 |
| A.7 | 3-TAP FIR FILTER | A-8 |

A.1 INTRODUCTION

Several examples illustrating the use of the DSP in common audio applications are presented in this section. The examples assume that the DSP is in the SRAM mode and configured for 0 wait states, 24-bit words, and an 8-bit bus (12 clock cycles-per-word transfer).

A.2 TYPICAL SYSTEM TOPOLOGY

Figure A-1 shows the topology of a typical DSP audio application.



AA0259k

Figure A-1 Topology of DSP Typical Audio Application

A.3 PROGRAM OVERLAY

The following routine illustrates a program overlay by replacing N instruction words in the internal program memory. The EMI operates in the linear SRAM mode (EAM (3:0) = 0) with 0 wait states. It is also assumed that the external memory device (EPROM/SRAM) receives its chip select from GPIO3.

```

overlay

movep    #OL_SRAM,x:ECSR           ; RAM definition
movep    $000f07x,x:GPIOR         ; assert GPIO3 - enable CS
movep    #>EXT_PROG_BUF,x:EBAR0    ; start address of external buffer
movep    #0,x:EOR0                ; drive 1st read trigger
move     #>INT_PROG_BUF,r0        ; start address of internal buffer
movep    #0,x:EOR0                ; drive 2nd read trigger
bset     #ERTS,x:ECSR             ; set read triggers by reading EDDR
do       #(N-2),end_OL           ; loop to drive more (N-2) triggers
rep      #1
nop

movep    x:EDRR0,p:(r0)+          ; move previous read data to PMEM and
                                   ; trigger next read cycle

end_OL

bclr     #ERTS,x:ECSR             ; turn off read triggers by EDDR read
movep    x:EDRR0,p:(r0)+          ; move instruction #N-1 to PMEM
movep    x:EDRR0,p:(r0)+          ; move instruction #N to PMEM
bset     #GPIOR,x:GPIOR          ; negate GPIO3 - disable CS

```

A.4 SINGLE DELAY LINE

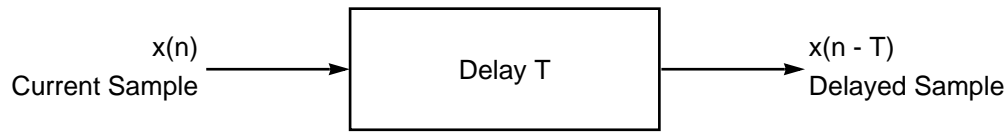
The following routine is an example of a single delay line, as illustrated in **Figure A-2**. This type of routine is typically used in surround sound or reverb applications.

```

Delay_Line

movep    #RAM,x:ECSR              ; use EINR = 1.
movep    y:Write_Off,x:EWOR       ; optional change of write offset
movep    y:Delay_Base,x:EBAR0     ; load base address
movep    #(T_dly-1),x:EOR0        ; read trigger for delayed sample
movep    x:SAMPLE,x:EDWR0         ; write trigger for current sample
movep    x:EBAR0,y:Delay_Base     ; store updated base address
nop                                       ; nop or other
movep    x:EDRR0,y0              ; read the delayed data

```



AA0447

Figure A-2 Single Delay Line

A.5 EARLY REFLECTION FILTER

The following routine is an example of an N-taps Early Reflection filter to perform the following computation:

$$y(n) = \text{SUM} [\{i = 1 \dots N\} g(i) x(n-T(i))]$$

```

movep    #RAM,x:ECSR                ; ECSR with EINW = 1
move     #GAIN_Base,r4              ; gain table base
move     #Off_Base,r0               ; offset table base
movep    y:FIR_Base,x:EBAR0         ; FIR base address
movep    x:(r0)+,x:EOR0              ; drive 1st read cycle
clr a    x:(r0)+,x0 y:(r4)+,y0      ; fetch 1st gain and 2nd delay

do       #(N-1),end_E
movep    x0,x:EOR0                  ; initiate next read
                                                ; trigger
nop                                             ; nop or other
nop                                             ; nop or other
movep    x:EDRR0,x1                  ; read current data
mac      x1,y0,a x:(r0)+,x0 y:(r4)+,y0
                                                ; sum, fetch next gain and offset
nop                                             ; nop or other

end_E

movep    x:SAMPLE,x:EDWR0            ; write current sample to delay line.
                                                ; EWOR = 0
nop                                             ; nop or other
movep    x:EDRR0,x1                  ; read last data
macr     x1,y0,a                      ; compute the output
movep    x:EBAR0,y:FIR_Base          ; store FIR base
move     a,x:FIR_output              ; store result in internal memory
    
```

A.6 TWO CHANNEL COMB FILTER

The following program implements a two channel (left and right) comb filter structure in which gain and delays are not equal. This type of program is typically used in surround sound and reverb applications. The filter structure is illustrated in **Figure A-3**. This example makes extensive use of the dual channel capability and pipeline mechanism of the EMI. The code is optimized for SRAM (0 wait-state) 24-bit words and 8-bit bus (6 instruction cycles per access). In the event that another EMI mode is being selected, NOP instructions might be added in the noted points (#1, #2, and #3). The optimized code for Fast DRAM mode, 24-bit words and 8-bit bus (7 I_{cyc} per access and data available for read at last I_{cyc} of the access) is achieved by adding 4 NOP instructions at point #3. This code assumes EWOR is already loaded with offset zero.

```

; dual_comb

move    #<Base_buff,r0          ; pointer to base address values
move    #<Off_buff,r1          ; pointer to offset (delay)values
move    #<Gain_buff,r2        ; pointer to gains values
move    #<SAMPLE,r4           ; pointer to left/right samples
move    #0,x0
move    #0,x1                  ; x1 accumulates right comb outputs
move    #0,y1                  ; x1 accumulates left comb outputs
movep   #MODE,x:ECSR          ; EINR = 1, ERTS = 0
do      #N,end_comb
move    x1,b                   ; load right channel output
movep   x:(r0),x:EBAR0         ; base address of left channel
movep   x:(r1),x:EOR0         ; read trigger of left channel
movep   y:(r0),x:EBAR1        ; base address of right channel
movep   y:(r1),x:EOR1         ; read trigger of right channel
add     x0,b x:(r2),x0 y:(r4),a ; get left sample and gain values

movep   x:EBAR0,x:(r0)         ; update base address left
; point (#1)                  ; insert "nop or other"
; instructions if required

movep   x:EDRR0,y0            ; read data of left channel
macr    x0,y0,a d,x1          ; compute input to delay buffer
; (left) and store right channel output

movep   a,x:EDWR0             ; insert input in delay buffer (left)
move    y1,b                  ; load left channel output
add     y0,b y:(r2)+,y0 x:(r4),a ; get right sample and gain values
movep   x:EBAR1,y:(r0)+       ; update base address (right)
; point (#2)                  ; insert "nop or other"
; instructions if required

movep   x:EDRR1,x0            ; read data of right channel
macr    x0,y0,a b,y1          ; compute input to delay buffer (right) and
; store left channel output

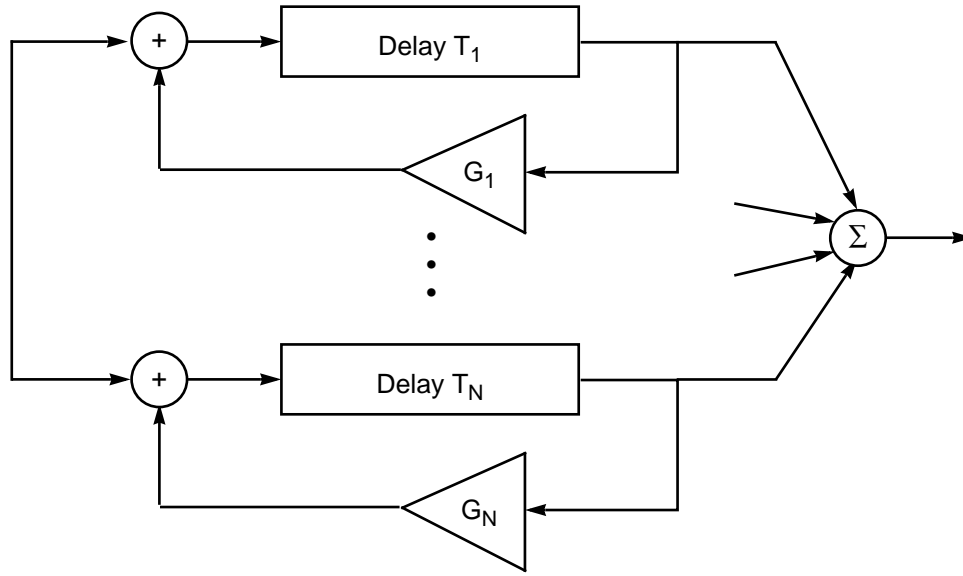
movep   a,x:EDWR1             ; insert input in delay buffer (right)
; point (#3)                  ; insert "nop or other"

```

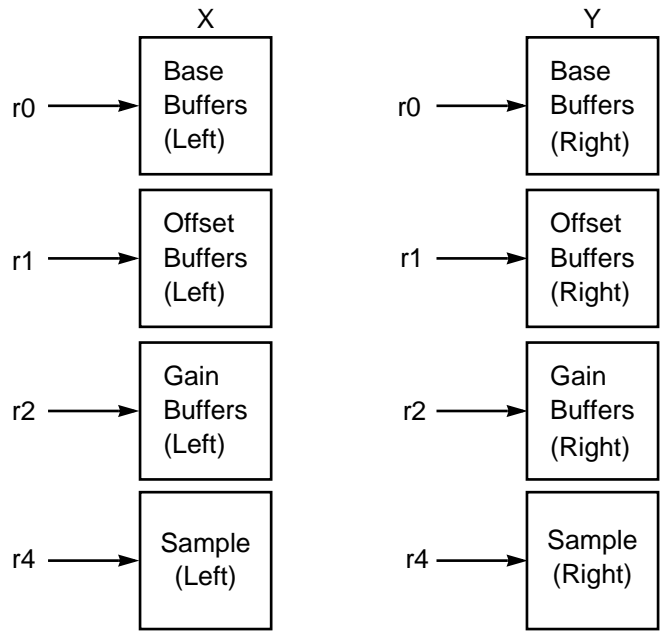
```

; instructions if required
nop ; nop or other
nop ; nop or other
end comb
move x1,b
add x0,b y1,y:out_left ; store left output
move b,x:out_right ; store right output

```



Comb Filters for One Channel



AA0448

Figure A-3 Two-Channel Comb Filter Structure

A.7 3-TAP FIR FILTER

The following program implements a 3-tap FIR filter. This type of program is typically used in generating early reflection information for surround sound and reverb applications. The filter structure is illustrated in **Figure A-4**. This code segment assumes accesses of 16-bit words on an 8-bit bus, “fast” DRAM timing (26 instruction cycles), and 0-wait state SRAM timing (20 instruction cycles).

Number of memory storage locations = $T3(\text{seconds}) \times fs (\text{Hz})$.

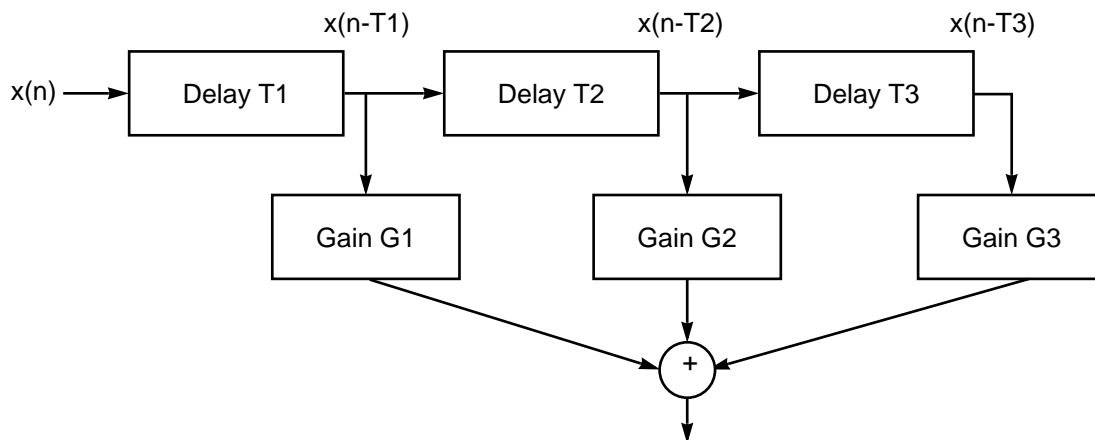
For a 50 ms delay and 44.1 KHz sampling rate: $0.05 \times 44100 = 2205$ locations.

FIR Filter Assembler Code (EMI mode: increment EBAR on write operation):

```

movep    x:FIR_BASE,x:EBAR0      ; set FIR base address
movep    #T1_OFF,x:EOR0          ; offset T1 and trigger mem. read
                                        ; wait 3 (DRAM) or 1 (SRAM) inst.
                                        ; cycles or do other tasks
movep    #T2_OFF,x:EOR0          ; offset T2 and trigger mem. read
clr a     x:G1,x0                ; get G1,clear accumulator
movep    x:EDRR0,y0              ; get x(n-T1)
movep    #T3_OFF,x:EOR0          ; offset T3 and trigger r mem. read
mac      x0,y0,a    x:G2,x0      ; y(n) = G1 x(n-T1),get G2
                                        ; wait 2 (DRAM) or 0(SRAM)
                                        ; inst. cycles or do other tasks
movep    x:EDRR0,y0              ; get x(n-T2)
mac      x0,y0,a    x:G3,x0      y(n) = y(n)+G2 x(n-T2)
                                        ; get G3, wait 4 (DRAM)or 2 (SRAM) inst. cycles
                                        ; or do other tasks
movep    x:EDRR0,y0              ; get x(n-T3)
movep    x:SAMPLE,x:EDWR0        ; store x(n) in mem.
mac      x0,y0,a                  ; calculate y(n) = y(n) + G3 x(n-T3)

```

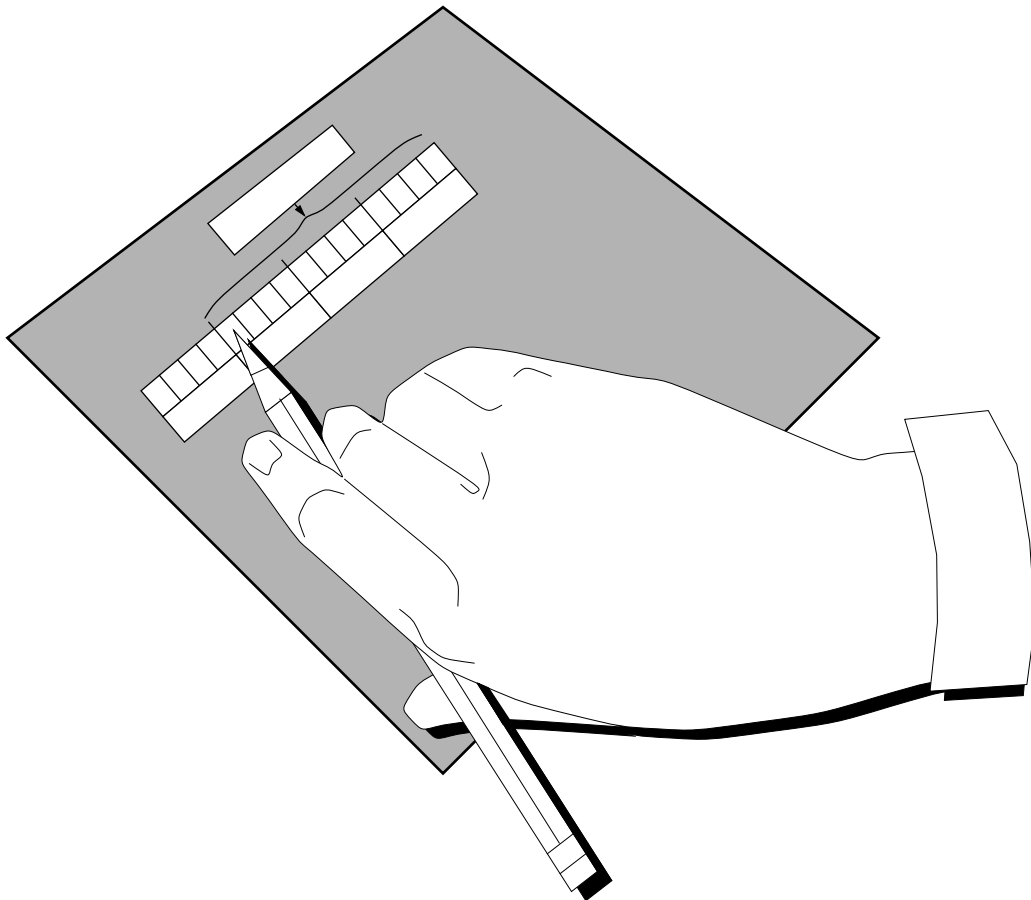


$$y(n) = G1 x (n - T1) + G2 x (n - T2) + G3 x (n - T3) \quad \text{AA0449}$$

Figure A-4 3 Tap FIR Filter

APPENDIX B

PROGRAMMING REFERENCE





| | | |
|-----|-----------------------------------|-----|
| B.1 | INTRODUCTION | B-3 |
| B.2 | PERIPHERAL ADDRESSES | B-3 |
| B.3 | INTERRUPT ADDRESSES | B-3 |
| B.4 | INTERRUPT PRIORITIES | B-3 |
| B.5 | INSTRUCTION SET SUMMARY | B-3 |
| B.6 | PROGRAMMING SHEETS | B-3 |

B.1 INTRODUCTION

This section has been compiled as a reference for programmers. It contains a memory map showing the addresses of all the DSP's memory-mapped peripherals, an interrupt priority table, an instruction set summary, and programming sheets for all the programmable registers on the DSP. The programming sheets are grouped by the central processor and each peripheral, and provide room to write in the value of each bit and the hexadecimal value for each register. The programmer can photocopy these sheets and reuse them for each application development project.

B.2 PERIPHERAL ADDRESSES

Figure B-1 is a memory map of the on-chip peripherals showing their addresses in memory.

B.3 INTERRUPT ADDRESSES

Table B-1 on page B-5 lists the interrupt starting addresses and sources.

B.4 INTERRUPT PRIORITIES

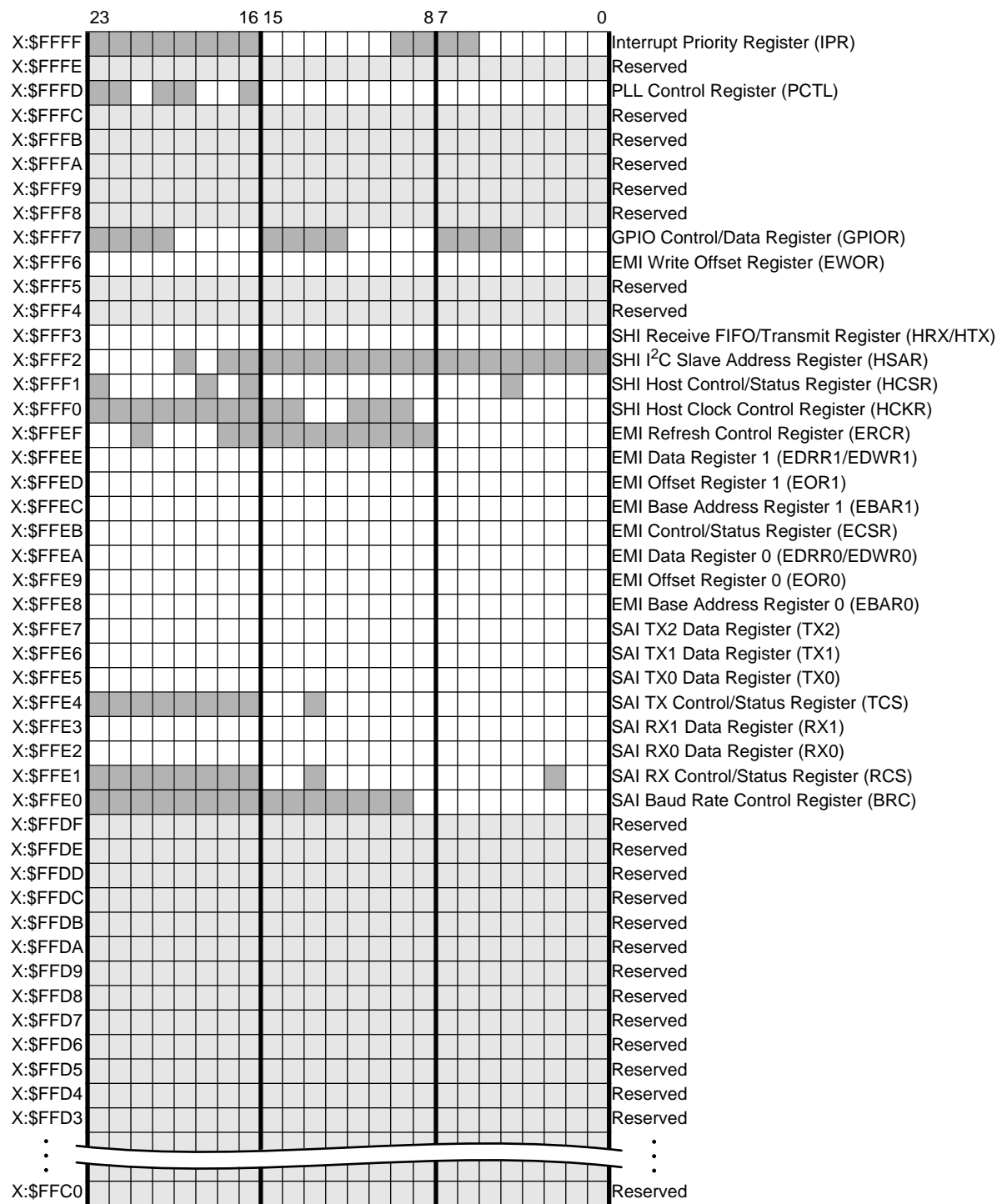
Table B-2 on page B-6 lists the priorities of specific interrupts within interrupt priority levels.

B.5 INSTRUCTION SET SUMMARY

Table B-3 on page B-7 summarizes the instruction set. For more detailed information about the instructions, consult the *DSP56000 Family Manual*.

B.6 PROGRAMMING SHEETS

Figure B-2 on page B-14 through **Figure B-17** on page B-29 are programming sheets for the complete set of programmable registers on the DSP.



- = Unused and reserved. Read as a random number. To ensure future compatibility, do not write to these registers.
- = Unused and reserved. Consult the appropriate chapter for information on how to ensure future compatibility.

Figure B-1 On-chip Peripheral Memory Map

Table B-1 Interrupt Starting Addresses and Sources

| Interrupt Starting Address | IPL | Interrupt Source |
|----------------------------|-----|---|
| P:\$0000 | 3 | Hardware $\overline{\text{RESET}}$ |
| P:\$0002 | 3 | Stack Error |
| P:\$0004 | 3 | Trace |
| P:\$0006 | 3 | SWI |
| P:\$0008 | 0–2 | $\overline{\text{IRQA}}$ |
| P:\$000A | 0–2 | $\overline{\text{IRQB}}$ |
| P:\$000C | | Reserved |
| P:\$000E | | Reserved |
| P:\$0010 | 0–2 | SAI Left Channel Transmitter if TXIL = 0 |
| P:\$0012 | 0–2 | SAI Right Channel Transmitter if TXIL = 0 |
| P:\$0014 | 0–2 | SAI Transmitter Exception if TXIL = 0 |
| P:\$0016 | 0–2 | SAI Left Channel Receiver if RXIL = 0 |
| P:\$0018 | 0–2 | SAI Right Channel Receiver if RXIL = 0 |
| P:\$001A | 0–2 | SAI Receiver Exception if RXIL = 0 |
| P:\$001C | | Reserved |
| P:\$001E | 3 | $\overline{\text{NMI}}$ |
| P:\$0020 | 0–2 | SHI Transmit Data |
| P:\$0022 | 0–2 | SHI Transmit Underrun Error |
| P:\$0024 | 0–2 | SHI Receive FIFO Not Empty |
| P:\$0026 | | Reserved |
| P:\$0028 | 0–2 | SHI Receive FIFO Full |
| P:\$002A | 0–2 | SHI Receive Overrun Error |
| P:\$002C | 0–2 | SHI Bus Error |
| P:\$002E | | Reserved |
| P:\$0030 | 0–2 | EMI Write Data |
| P:\$0032 | 0–2 | EMI Read Data |
| P:\$0034 | 0–2 | EMI EBAR0 Memory Wrap |
| P:\$0036 | 0–2 | EMI EBAR1 Memory Wrap |
| P:\$0038 | | Reserved |
| P:\$003A | | Reserved |
| P:\$003C | | Reserved |
| P:\$003E | 3 | Illegal Instruction |
| P: \$0040 | 0–2 | SAI Left Channel Transmitter if TXIL = 1 |
| P: \$0042 | 0–2 | SAI Right Channel Transmitter if TXIL = 1 |
| P: \$0044 | 0–2 | SAI Transmitter Exception if TXIL = 1 |

Table B-1 Interrupt Starting Addresses and Sources (Continued)

| Interrupt Starting Address | IPL | Interrupt Source |
|----------------------------|-----|--|
| P: \$0046 | 0–2 | SAI Left Channel Receiver if RXIL = 1 |
| P: \$0048 | 0–2 | SAI Right Channel Receiver if RXIL = 1 |
| P: \$004A | 0–2 | SAI Receiver Exception if RXIL = 1 |
| P: \$004C | | Reserved |
| : | | : |
| P: \$007E | | Reserved |

Table B-2 Interrupt Priorities Within an IPL

| Priority | Interrupt | |
|---------------------------|-------------------------------|----------------|
| Level 3 (Nonmaskable) | | |
| Highest | Hardware RESET | |
| | Illegal Instruction | |
| | NMI | |
| | Stack Error | |
| | Trace | |
| Lowest | SWI | |
| Levels 0, 1, 2 (Maskable) | | |
| Highest | IRQA (External Interrupt) | |
| | IRQB (External Interrupt) | |
| | SAI Receiver Exception | |
| | SAI Transmitter Exception | |
| | SAI Left Channel Receiver | |
| | SAI Left Channel Transmitter | |
| | SAI Right Channel Receiver | |
| | SAI Right Channel Transmitter | |
| | SHI Bus Error | |
| | SHI Receive Overrun Error | |
| | SHI Transmit Underrun Error | |
| | SHI Receive FIFO Full | |
| | SHI Transmit Data | |
| | SHI Receive FIFO Not Empty | |
| | EMI EBAR0 Memory Wrap | |
| | EMI EBAR1 Memory Wrap | |
| | EMI Read Data | |
| | Lowest | EMI Write Data |

Table B-3 Instruction Set Summary (Sheet 1 of 7)

| Mnemonic | Syntax | Parallel Moves | | Instruction Program Words | Osc. Clock Cycles | Status Request Bits: | | | | | | | |
|----------|-----------|-----------------|--|---------------------------|-------------------|----------------------|---|---|---|---|---|---|---|
| | | | | | | S | L | E | U | N | Z | V | C |
| ABS | D | (parallel move) | | 1 + mv | 2 + mv | * | * | * | * | * | * | * | — |
| ADC | S,D | (parallel move) | | 1 + mv | 2 + mv | * | * | * | * | * | * | * | * |
| ADD | S,D | (parallel move) | | 1 + mv | 2 + mv | * | * | * | * | * | * | * | * |
| ADDL | S,D | (parallel move) | | 1 + mv | 2 + mv | * | * | * | * | * | * | ? | * |
| ADDR | S,D | (parallel move) | | 1 + mv | 2 + mv | * | * | * | * | * | * | * | * |
| AND | S,D | (parallel move) | | 1 + mv | 2 + mv | * | * | — | — | ? | ? | 0 | — |
| AND(I) | #xx,D | | | 1 | 2 | ? | ? | ? | ? | ? | ? | ? | ? |
| ASL | D | (parallel move) | | 1 + mv | 2 + mv | * | * | * | * | * | * | ? | ? |
| ASR | D | (parallel move) | | 1 + mv | 2 + mv | * | * | * | * | * | * | 0 | ? |
| BCHG | #n,X:<aa> | | | 1 + ea | 4 + mvb | ? | ? | ? | ? | ? | ? | ? | ? |
| | #n,X:<pp> | | | | | | | | | | | | |
| | #n,X:<ea> | | | | | | | | | | | | |
| | #n,Y:<aa> | | | | | | | | | | | | |
| | #n,Y:<pp> | | | | | | | | | | | | |
| | #n,Y:<ea> | | | | | | | | | | | | |
| | #n,D | | | | | | | | | | | | |
| BCLR | #n,X:<aa> | | | 1 + ea | 4 + mvb | ? | ? | ? | ? | ? | ? | ? | ? |
| | #n,X:<pp> | | | | | | | | | | | | |
| | #n,X:<ea> | | | | | | | | | | | | |
| | #n,Y:<aa> | | | | | | | | | | | | |
| | #n,Y:<pp> | | | | | | | | | | | | |
| | #n,Y:<ea> | | | | | | | | | | | | |
| | #n,D | | | | | | | | | | | | |
| BSET | #n,X:<aa> | | | 1 + ea | 4 + mvb | ? | ? | ? | ? | ? | ? | ? | ? |
| | #n,X:<pp> | | | | | | | | | | | | |
| | #n,X:<ea> | | | | | | | | | | | | |
| | #n,Y:<aa> | | | | | | | | | | | | |
| | #n,Y:<pp> | | | | | | | | | | | | |
| | #n,Y:<ea> | | | | | | | | | | | | |
| | #n,D | | | | | | | | | | | | |

— indicates that the bit is unaffected by the operation
 * indicates that the bit may be set according to the definition, depending on parallel move conditions
 ? indicates that the bit is set according to a special definition. See the instruction descriptions in **Appendix A** of the *DSP56000 Family Manual (DSP56KFAMUM/AD)*
 0 indicates that the bit is cleared

Table B-3 Instruction Set Summary (Sheet 2 of 7)

| Mnemonic | Syntax | Parallel Moves | | Instruction Program Words | Osc. Clock Cycles | Status Request Bits: | | | | | | | | |
|----------|----------------|-----------------|--|---------------------------|-------------------|----------------------|---|---|---|---|---|---|---|---|
| | | | | | | S | L | E | U | N | Z | V | C | |
| BTST | #n,X:<aa> | | | 1 + ea | 4 + mvb | — | * | — | — | — | — | — | — | ? |
| | #n,X:<pp> | | | | | | | | | | | | | |
| | #n,X:<ea> | | | | | | | | | | | | | |
| | #n,Y:<aa> | | | | | | | | | | | | | |
| | #n,Y:<pp> | | | | | | | | | | | | | |
| | #n,Y:<ea> | | | | | | | | | | | | | |
| | #n,D | | | | | | | | | | | | | |
| CLR | D | (parallel move) | | 1 + mv | 2 + mv | * | * | ? | ? | ? | ? | ? | ? | — |
| CMP | S1,S2 | (parallel move) | | 1 + mv | 2 + mv | * | * | * | * | * | * | * | * | * |
| CMPM | S1,S2 | (parallel move) | | 1 + mv | 2 + mv | * | * | * | * | * | * | * | * | * |
| DEBUG | | | | 1 | 4 | — | — | — | — | — | — | — | — | — |
| DEBUGcc | | | | 1 | 4 | — | — | — | — | — | — | — | — | — |
| DEC | D | | | 1 | 2 | — | * | * | * | * | * | * | * | * |
| DIV | S,D | | | 1 | 2 | — | * | — | — | — | — | ? | ? | ? |
| DO | X:<ea>,expr | | | 2 | 6 + mv | * | * | — | — | — | — | — | — | — |
| | X:<aa>,expr | | | | | | | | | | | | | |
| | Y:<ea>,expr | | | | | | | | | | | | | |
| | Y:<aa>,expr | | | | | | | | | | | | | |
| | #xxx,expr | | | | | | | | | | | | | |
| | S,expr | | | | | | | | | | | | | |
| ENDDO | | | | 1 | 2 | — | — | — | — | — | — | — | — | — |
| EOR | S,D | (parallel move) | | 1 + mv | 2 + mv | * | * | — | — | ? | ? | ? | 0 | — |
| ILLEGAL | | | | 1 | 8 | — | — | — | — | — | — | — | — | — |
| INC | D | | | 1 | 2 | — | * | * | * | * | * | * | * | * |
| Jcc | xxx | | | 1 + ea | 4 + jx | — | — | — | — | — | — | — | — | — |
| JCLR | #n,X:<ea>,xxxx | | | 2 | 6 + jx | * | * | — | — | — | — | — | — | — |
| | #n,X:<aa>,xxxx | | | | | | | | | | | | | |
| | #n,X:<pp>,xxxx | | | | | | | | | | | | | |
| | #n,Y:<ea>,xxxx | | | | | | | | | | | | | |
| | #n,Y:<aa>,xxxx | | | | | | | | | | | | | |
| | #n,Y:<pp>,xxxx | | | | | | | | | | | | | |
| | #n,S,xxxx | | | | | | | | | | | | | |

— indicates that the bit is unaffected by the operation
 * indicates that the bit may be set according to the definition, depending on parallel move conditions
 ? indicates that the bit is set according to a special definition. See the instruction descriptions in **Appendix A** of the *DSP56000 Family Manual (DSP56KFAMUM/AD)*
 0 indicates that the bit is cleared

Table B-3 Instruction Set Summary (Sheet 3 of 7)

| Mnemonic | Syntax | Parallel Moves | | Instruction Program Words | Osc. Clock Cycles | Status Request Bits: | | | | | | | |
|----------|----------------|-----------------|--|---------------------------|-------------------|----------------------|---|---|---|---|---|---|---|
| | | | | | | S | L | E | U | N | Z | V | C |
| JMP | xxxx | | | 1 + ea | 4 + jx | — | — | — | — | — | — | — | — |
| | ea | | | | | | | | | | | | |
| JScC | xxxx | | | 1 + ea | 4 + jx | — | — | — | — | — | — | — | — |
| | ea | | | | | | | | | | | | |
| JSCLR | #n,X:<ea>,xxxx | | | 2 | 6 + jx | * | * | — | — | — | — | — | — |
| | #n,X:<aa>,xxxx | | | | | | | | | | | | |
| | #n,X:<pp>,xxxx | | | | | | | | | | | | |
| | #n,Y:<ea>,xxxx | | | | | | | | | | | | |
| | #n,Y:<aa>,xxxx | | | | | | | | | | | | |
| | #n,Y:<pp>,xxxx | | | | | | | | | | | | |
| | #n,S,xxxx | | | | | | | | | | | | |
| JSET | #n,X:<ea>,xxxx | | | 2 | 6 + jx | * | * | — | — | — | — | — | — |
| | #n,X:<aa>,xxxx | | | | | | | | | | | | |
| | #n,X:<pp>,xxxx | | | | | | | | | | | | |
| | #n,Y:<ea>,xxxx | | | | | | | | | | | | |
| | #n,Y:<aa>,xxxx | | | | | | | | | | | | |
| | #n,Y:<pp>,xxxx | | | | | | | | | | | | |
| | #n,S,xxxx | | | | | | | | | | | | |
| JSR | xxx | | | 1 + ea | 4 + jx | — | — | — | — | — | — | — | — |
| | ea | | | | | | | | | | | | |
| JSSET | #n,X:<ea>,xxxx | | | 2 | 6 + jx | * | * | — | — | — | — | — | — |
| | #n,X:<aa>,xxxx | | | | | | | | | | | | |
| | #n,X:<pp>,xxxx | | | | | | | | | | | | |
| | #n,Y:<ea>,xxxx | | | | | | | | | | | | |
| | #n,Y:<aa>,xxxx | | | | | | | | | | | | |
| | #n,Y:<pp>,xxxx | | | | | | | | | | | | |
| | #n,S,xxxx | | | | | | | | | | | | |
| LSL | D | (parallel move) | | 1 + mv | 2 + mv | * | * | — | — | ? | ? | 0 | ? |
| LSR | D | (parallel move) | | 1 + mv | 2 + mv | * | * | — | — | ? | ? | 0 | ? |
| LUA | <ea>,D | | | 1 | 4 | — | — | — | — | — | — | — | — |
| MAC | (±)S2,S1,D | (parallel move) | | 1 + mv | 2 + mv | * | * | * | * | * | * | * | — |
| | (±)S1,S2,D | (parallel move) | | | | | | | | | | | |

— indicates that the bit is unaffected by the operation
 * indicates that the bit may be set according to the definition, depending on parallel move conditions
 ? indicates that the bit is set according to a special definition. See the instruction descriptions in **Appendix A** of the *DSP56000 Family Manual (DSP56KFAMUM/AD)*
 0 indicates that the bit is cleared

Table B-3 Instruction Set Summary (Sheet 4 of 7)

| Mnemonic | Syntax | Parallel Moves | | Instruction Program Words | Osc. Clock Cycles | Status Request Bits: | | | | | | | | | |
|----------|---------------------------------|---|--|---------------------------|-------------------|----------------------|---|---|---|---|---|---|---|---|---|
| | | | | | | S | L | E | U | N | Z | V | C | | |
| | (±)S,#n,D | (no parallel move) | | 1 | 2 | | | | | | | | | | |
| MACR | (±)S2,S1,D | (parallel move) | | 1 + mv | 2 + mv | * | * | * | * | * | * | * | * | * | — |
| | (±)S1,S2,D | (parallel move) | | | | | | | | | | | | | |
| | (±)S,#n,D | (no parallel move) | | 1 | 2 | | | | | | | | | | |
| MOVE | S,D | | | 1 + mv | 2 + mv | * | * | | | | | | | | |
| | No parallel data move | (.....) | | mv | mv | | | | | | | | | | |
| | Immediate short data move | (.....)#xx,D | | mv | mv | | | | | | | | | | |
| | Register to register data move | (.....)S,D | | mv | mv | * | * | | | | | | | | |
| | Address register update | (.....)ea | | mv | mv | | | | | | | | | | |
| | X memory data move | (.....)X:<ea>,D (.....)X:<aa>,D (.....)S,X:<ea> (.....)S,X:<aa> (.....)#xxxxxx,D | | mv | mv | * | * | | | | | | | | |
| | Register and X memory data move | (.....)X:<ea>,D1 S2,D2 (.....)S1,X:<ea> S2,D2 | | mv | mv | * | * | | | | | | | | |
| | | (.....)#xxxxxx,D1 S2,D2 (.....)A,X:<ea> X0,A (.....)B,X:<ea> X0,B | | | | | | | | | | | | | |
| | Y memory data move | (.....)Y:<ea>,D (.....)Y:<aa>,D (.....)S,Y:<ea> (.....)S,Y:<aa> (.....)#xxxxxx,D | | mv | mv | * | * | | | | | | | | |
| | Register and Y memory data move | (.....)S1,D1 Y:<ea>,D2 (.....)S1,D1 S2,Y:<ea> (.....)S1,D1 #xxxxxx,D2 (.....)Y0,A A,Y:<ea> (.....)Y0,B B,Y:<ea> | | mv | mv | * | * | | | | | | | | |

— indicates that the bit is unaffected by the operation

* indicates that the bit may be set according to the definition, depending on parallel move conditions

? indicates that the bit is set according to a special definition. See the instruction descriptions in

Appendix A of the *DSP56000 Family Manual (DSP56KFAMUM/AD)*

0 indicates that the bit is cleared

Table B-3 Instruction Set Summary (Sheet 5 of 7)

| Mnemonic | Syntax | Parallel Moves | | Instruction Program Words | Osc. Clock Cycles | Status Request Bits: | | | | | | | | | | |
|-----------------------|-------------------|----------------|--|---------------------------|-------------------|----------------------|---|---|---|---|---|---|---|---|---|---|
| | | | | | | S | L | E | U | N | Z | V | C | | | |
| Long memory data move | (.....)L:<ea>,D | | | mv | mv | * | * | — | — | — | — | — | — | — | — | |
| | (.....)L:<aa>,D | | | | | | | | | | | | | | | |
| | (.....)S,L:<ea> | | | | | | | | | | | | | | | |
| | (.....)S,L:<aa> | | | | | | | | | | | | | | | |
| XY memory data move | (.....)X:<eax>,D1 | Y:<eay>,D2 | | mv | mv | * | * | — | — | — | — | — | — | — | — | |
| | (.....)X:<eax>,D1 | S2,Y:<eay> | | | | | | | | | | | | | | |
| | (.....)S1,X:<eax> | Y:<eay>,D2 | | | | | | | | | | | | | | |
| | (.....)S1,X:<eax> | S2,Y:<eay> | | | | | | | | | | | | | | |
| MOVE(C) | X:<ea>,D1 | | | 1 + ea | 2 + mvc | ? | ? | ? | ? | ? | ? | ? | ? | ? | ? | |
| | X:<aa>,D1 | | | | | | | | | | | | | | | |
| | S1,X:<ea> | | | | | | | | | | | | | | | |
| | S1,X:<aa> | | | | | | | | | | | | | | | |
| | Y:<ea>,D1 | | | | | | | | | | | | | | | |
| | Y:<aa>,D1 | | | | | | | | | | | | | | | |
| | S1,Y:<ea> | | | | | | | | | | | | | | | |
| | S1,Y:<aa> | | | | | | | | | | | | | | | |
| | S1,D2 | | | | | | | | | | | | | | | |
| | S2,D1 | | | | | | | | | | | | | | | |
| | #xxxx,D1 | | | | | | | | | | | | | | | |
| | #xx,D1 | | | | | | | | | | | | | | | |
| | MOVE(M) | P:<ea>,D | | | 1 + ea | 2 + mvm | ? | ? | ? | ? | ? | ? | ? | ? | ? | ? |
| | | S,P:<ea> | | | | | | | | | | | | | | |
| S,P:<aa> | | | | | | | | | | | | | | | | |
| P:<aa>,D | | | | | | | | | | | | | | | | |
| MOVE(P) | X:<pp>,D | | | 1 + ea | 2 + mvp | ? | ? | ? | ? | ? | ? | ? | ? | ? | ? | |
| | X:<pp>,X:<ea> | | | | | | | | | | | | | | | |
| | X:<pp>,Y:<ea> | | | | | | | | | | | | | | | |
| | X:<pp>,P:<ea> | | | | | | | | | | | | | | | |
| | S,X:<pp> | | | | | | | | | | | | | | | |
| | #xxxxxx,X:<pp> | | | | | | | | | | | | | | | |
| | X:<ea>,X:<pp> | | | | | | | | | | | | | | | |

— indicates that the bit is unaffected by the operation
 * indicates that the bit may be set according to the definition, depending on parallel move conditions
 ? indicates that the bit is set according to a special definition. See the instruction descriptions in **Appendix A** of the *DSP56000 Family Manual (DSP56KFAMUM/AD)*
 0 indicates that the bit is cleared

Table B-3 Instruction Set Summary (Sheet 6 of 7)

| Mnemonic | Syntax | Parallel Moves | | Instruction Program Words | Osc. Clock Cycles | Status Request Bits: | | | | | | | | | |
|------------------------|----------------|--------------------|--|---------------------------|-------------------|----------------------|---|---|---|---|---|---|---|---|--|
| | | | | | | S | L | E | U | N | Z | V | C | | |
| MOVE(P) (continued) | Y:<ea>,X:<pp> | | | | | | | | | | | | | | |
| | P:<ea>,X:<pp> | | | | | | | | | | | | | | |
| | Y:<pp>,D | | | | | | | | | | | | | | |
| | Y:<pp>,X:<ea> | | | | | | | | | | | | | | |
| | Y:<pp>,Y:<ea> | | | | | | | | | | | | | | |
| | Y:<pp>,P:<ea> | | | | | | | | | | | | | | |
| | S,Y:<pp> | | | | | | | | | | | | | | |
| | #xxxxxx,Y:<pp> | | | | | | | | | | | | | | |
| | X:<ea>,Y:<pp> | | | | | | | | | | | | | | |
| | Y:<ea>,Y:<pp> | | | | | | | | | | | | | | |
| | P:<ea>,Y:<pp> | | | | | | | | | | | | | | |
| MPY | (±)S2,S1,D | (parallel move) | | 1 + mv | 2 + mv | * | * | * | * | * | * | * | * | — | |
| | (±)S1,S2,D | (parallel move) | | | | | | | | | | | | | |
| | (±)S,#n,D | (no parallel move) | | 1 | 2 | | | | | | | | | | |
| MPYR | (±)S2,S1,D | (parallel move) | | 1 + mv | 2 + mv | * | * | * | * | * | * | * | * | — | |
| | (±)S1,S2,D | (parallel move) | | | | | | | | | | | | | |
| | (±)S,#n,D | (no parallel move) | | 1 | 2 | | | | | | | | | | |
| NEG | D | (parallel move) | | 1 + mv | 2 + mv | * | * | * | * | * | * | * | * | — | |
| NOP | | | | 1 | 2 | | | | | | | | | | |
| NORM | Rn,D | | | 1 | 2 | | * | * | * | * | * | * | ? | — | |
| NOT | D | (parallel move) | | 1 + mv | 2 + mv | * | * | | | ? | ? | ? | 0 | — | |
| OR | S,D | (parallel move) | | 1 + mv | 2 + mv | * | * | | | ? | ? | ? | 0 | — | |
| ORI | #xx,D | | | 1 | 2 | ? | ? | ? | ? | ? | ? | ? | ? | ? | |
| REP | X:<ea> | | | 1 | 4 + mv | ? | ? | | | | | | | | |
| | X:<aa> | | | | | | | | | | | | | | |
| | Y:<ea> | | | | | | | | | | | | | | |
| | Y:<aa> | | | | | | | | | | | | | | |
| | S | | | | | | | | | | | | | | |
| | #xxx | | | | | | | | | | | | | | |
| RESET | | | | 1 | 4 | | | | | | | | | | |
| RND | D | (parallel move) | | 1 + mv | 2 + mv | * | * | * | * | * | * | * | * | — | |

— indicates that the bit is unaffected by the operation

* indicates that the bit may be set according to the definition, depending on parallel move conditions

? indicates that the bit is set according to a special definition. See the instruction descriptions in

Appendix A of the *DSP56000 Family Manual (DSP56KFAMUM/AD)*

0 indicates that the bit is cleared

Table B-3 Instruction Set Summary (Sheet 7 of 7)

| Mnemonic | Syntax | Parallel Moves | | Instruction Program Words | Osc. Clock Cycles | Status Request Bits: | | | | | | | |
|----------|-------------|-----------------|--|---------------------------|-------------------|----------------------|---|---|---|---|---|---|---|
| | | | | | | S | L | E | U | N | Z | V | C |
| ROL | D | (parallel move) | | 1 + mv | 2 + mv | * | * | — | — | ? | ? | 0 | ? |
| ROR | D | (parallel move) | | 1 + mv | 2 + mv | * | * | — | — | ? | ? | 0 | ? |
| RTI | | | | 1 | 4 + rx | ? | ? | ? | ? | ? | ? | ? | ? |
| RTS | | | | 1 | 4 + rx | — | — | — | — | — | — | — | — |
| SBC | S,D | (parallel move) | | 1 + mv | 2 + mv | * | * | * | * | * | * | * | * |
| STOP | | | | 1 | n/a | — | — | — | — | — | — | — | — |
| SUB | S,D | (parallel move) | | 1 + mv | 2 + mv | * | * | * | * | * | * | * | * |
| SUBL | S,D | (parallel move) | | 1 + mv | 2 + mv | * | * | * | * | * | * | ? | * |
| SUBR | S,D | (parallel move) | | 1 + mv | 2 + mv | * | * | * | * | * | * | * | * |
| SWI | | | | 1 | 8 | — | — | — | — | — | — | — | — |
| Tcc | S1,D1 | | | 1 | 2 | — | — | — | — | — | — | — | — |
| | S1,D1 S2,D2 | | | | | — | — | — | — | — | — | — | — |
| TFR | S,D | (parallel move) | | 1 + mv | 2 + mv | * | * | — | — | — | — | — | — |
| TST | S | (parallel move) | | 1 + mv | 2 + mv | * | * | * | * | * | * | 0 | — |
| WAIT | | | | 1 | n/a | — | — | — | — | — | — | — | — |

— indicates that the bit is unaffected by the operation
 * indicates that the bit may be set according to the definition, depending on parallel move conditions
 ? indicates that the bit is set according to a special definition. See the instruction descriptions in **Appendix A** of the *DSP56000 Family Manual (DSP56KFAMUM/AD)*
 0 indicates that the bit is cleared

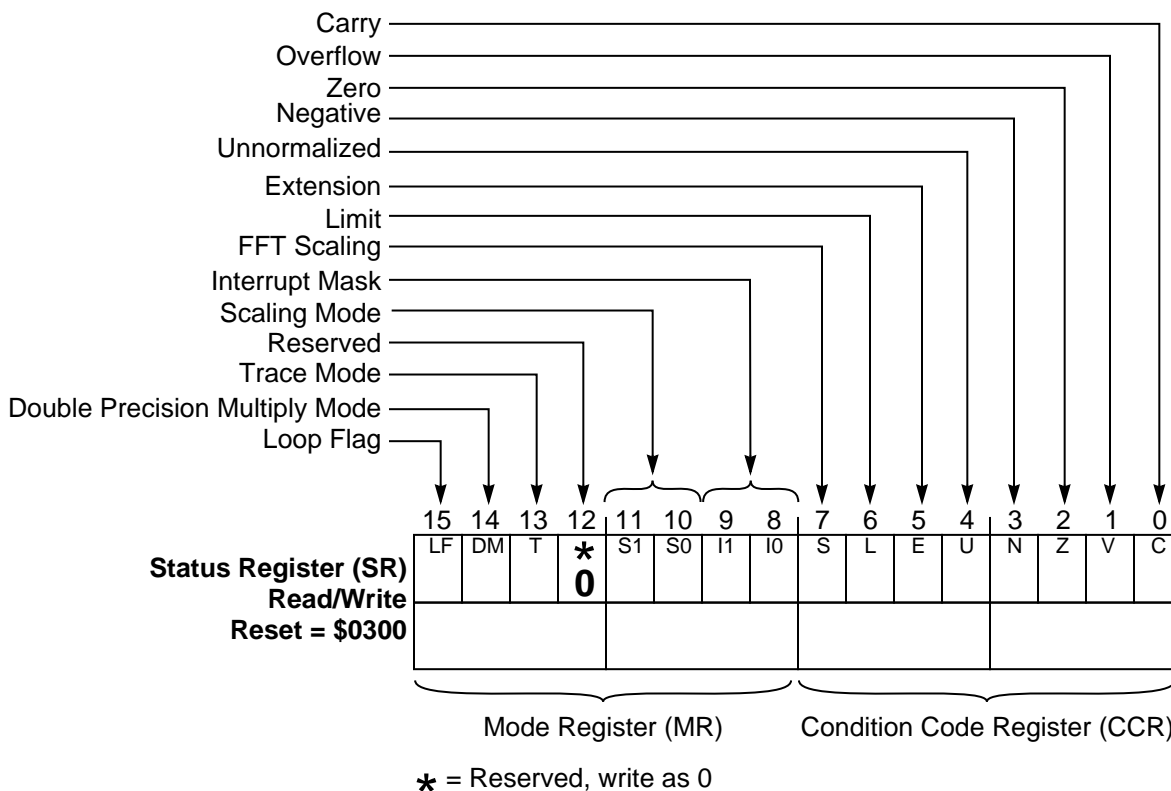
Application: _____

Date: _____

Programmer: _____

Sheet 1 of 4

CENTRAL PROCESSOR



Note: The operation and function of the Status Register is detailed in the *DSP56000 Family Manual*

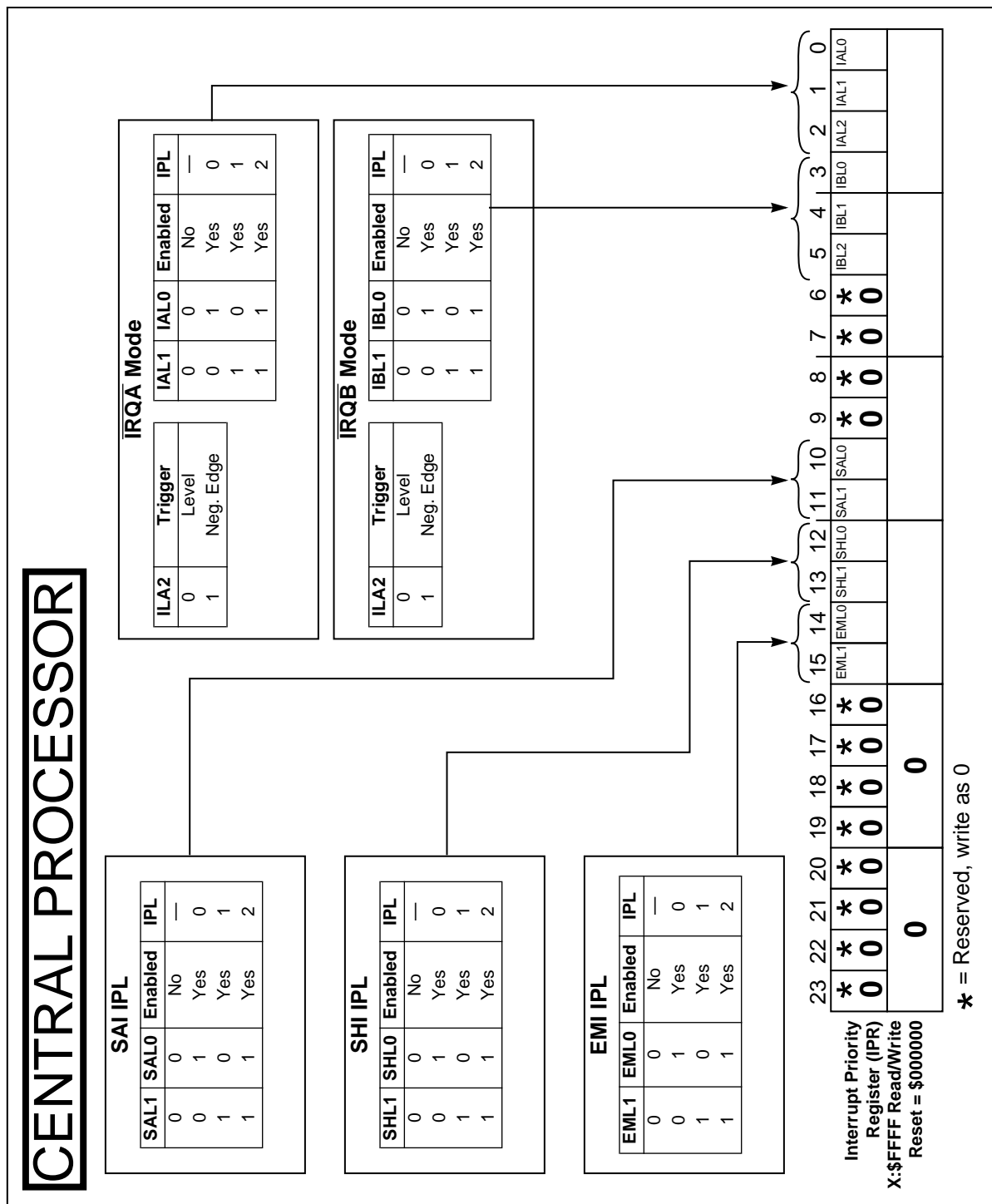
Figure B-2 Status Register (SR)

Application: _____

Date: _____

Programmer: _____

Sheet 2 of 4



Application: _____

Date: _____

Programmer: _____

Sheet 3 of 4

CENTRAL PROCESSOR

| Mode | M M M C B A | Operating Mode |
|------|-------------|---------------------------------------|
| 0 | 0 0 0 | Normal operation, bootstrap disabled |
| 1 | 0 0 1 | Bootstrap from EMI |
| 2 | 0 1 0 | Wake up in PROM address \$2000 |
| 3 | 0 1 1 | Reserved |
| 4 | 1 0 0 | Reserved |
| 5 | 1 0 1 | Bootstrap from SHI (SPI) |
| 6 | 1 1 0 | Reserved |
| 7 | 1 1 1 | Bootstrap from SHI (I ² C) |

Stop Delay
 0 = 128K T Stabilization
 1 = 16 T Stabilization

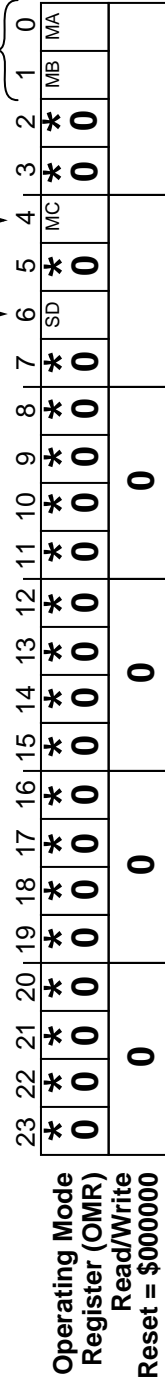


Figure B-4 Operating Mode Register (OMR)

Application: _____ Date: _____
 _____ Programmer: _____

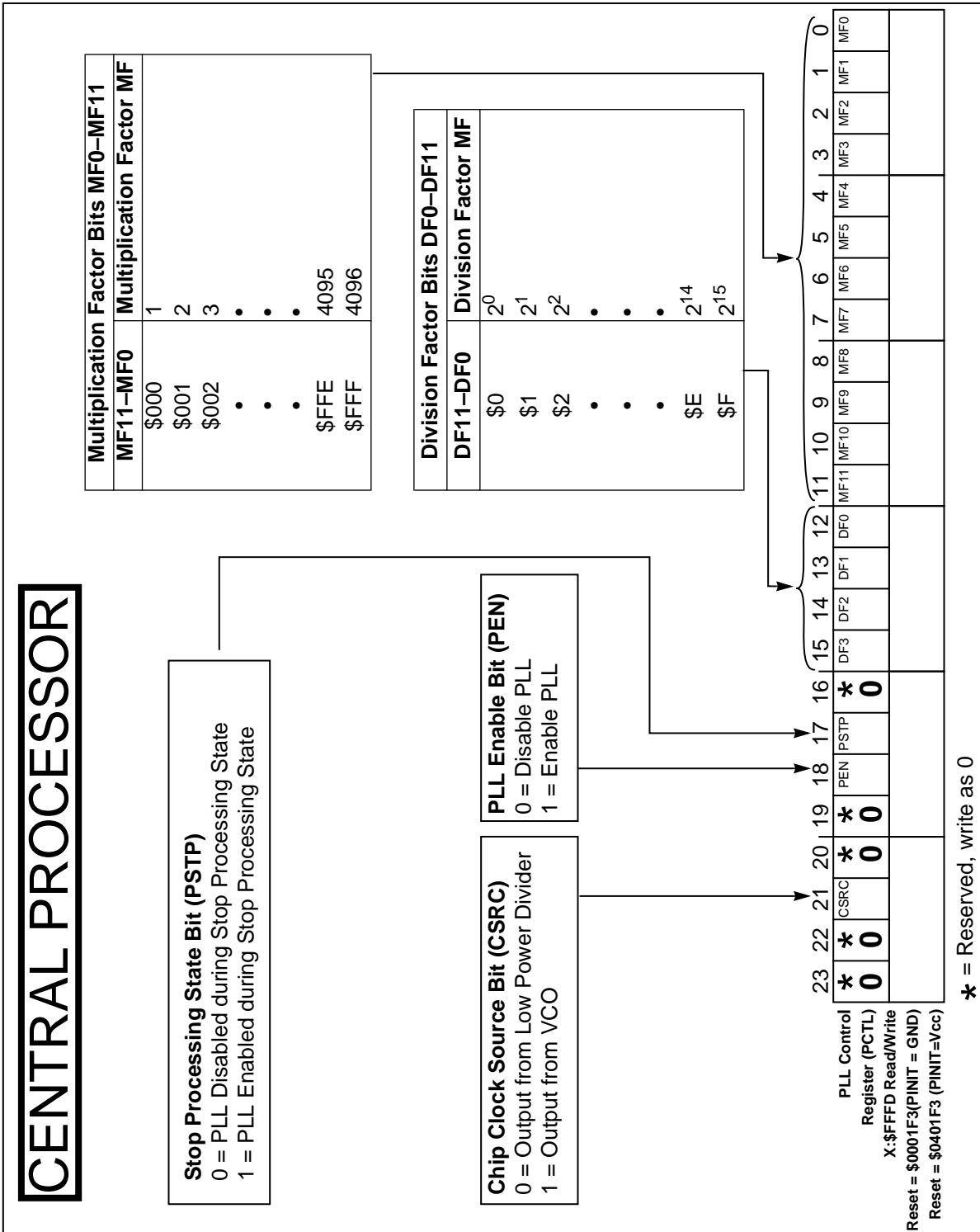


Figure B-5 PLL Control Register (PCTL)

Application: _____

Date: _____
Programmer: _____

Sheet 1 of 4

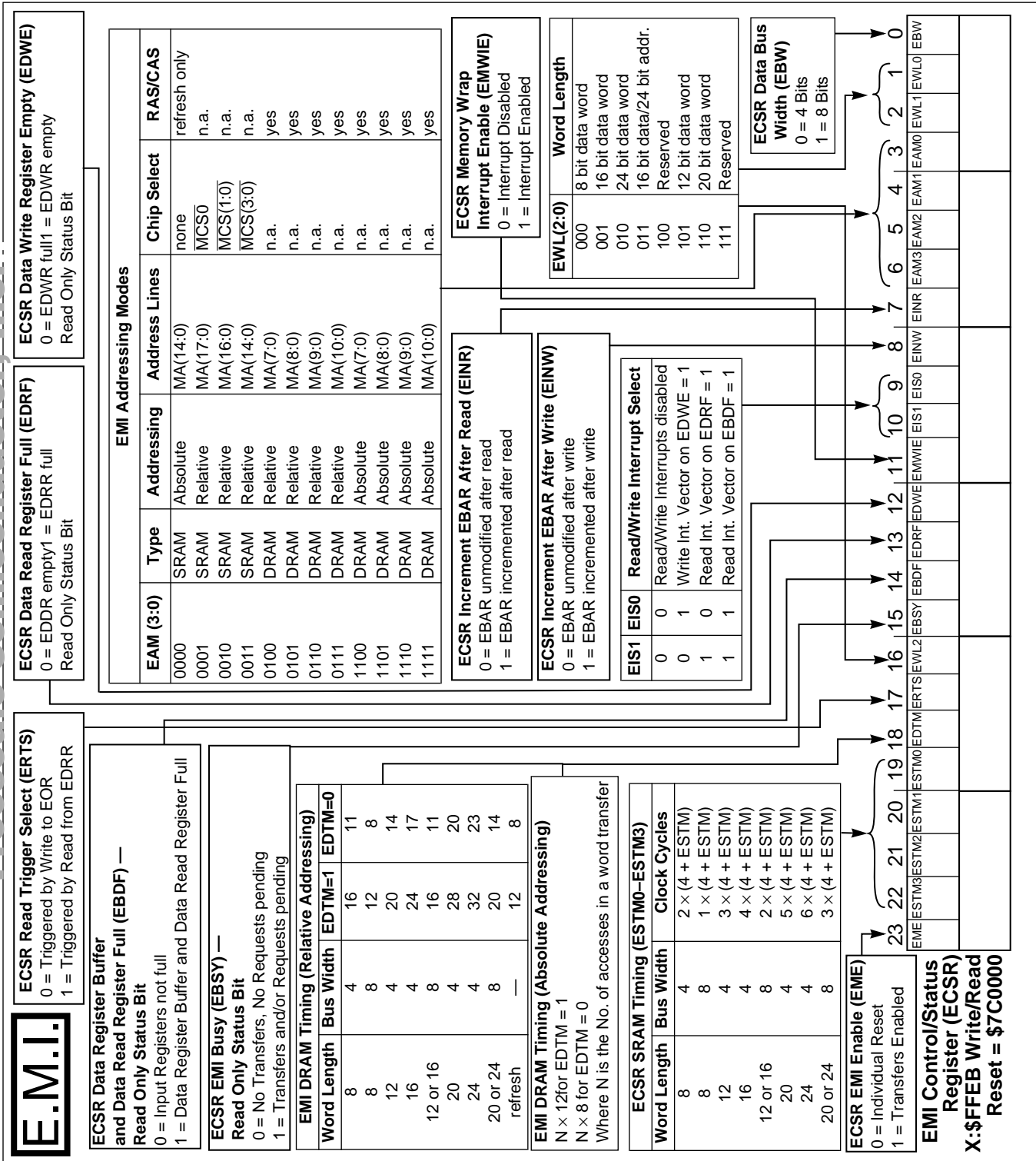


Figure B-6 EMI Control/Status Register (ECSR)

Application: _____

Date: _____

Programmer: _____

Sheet 2 of 4

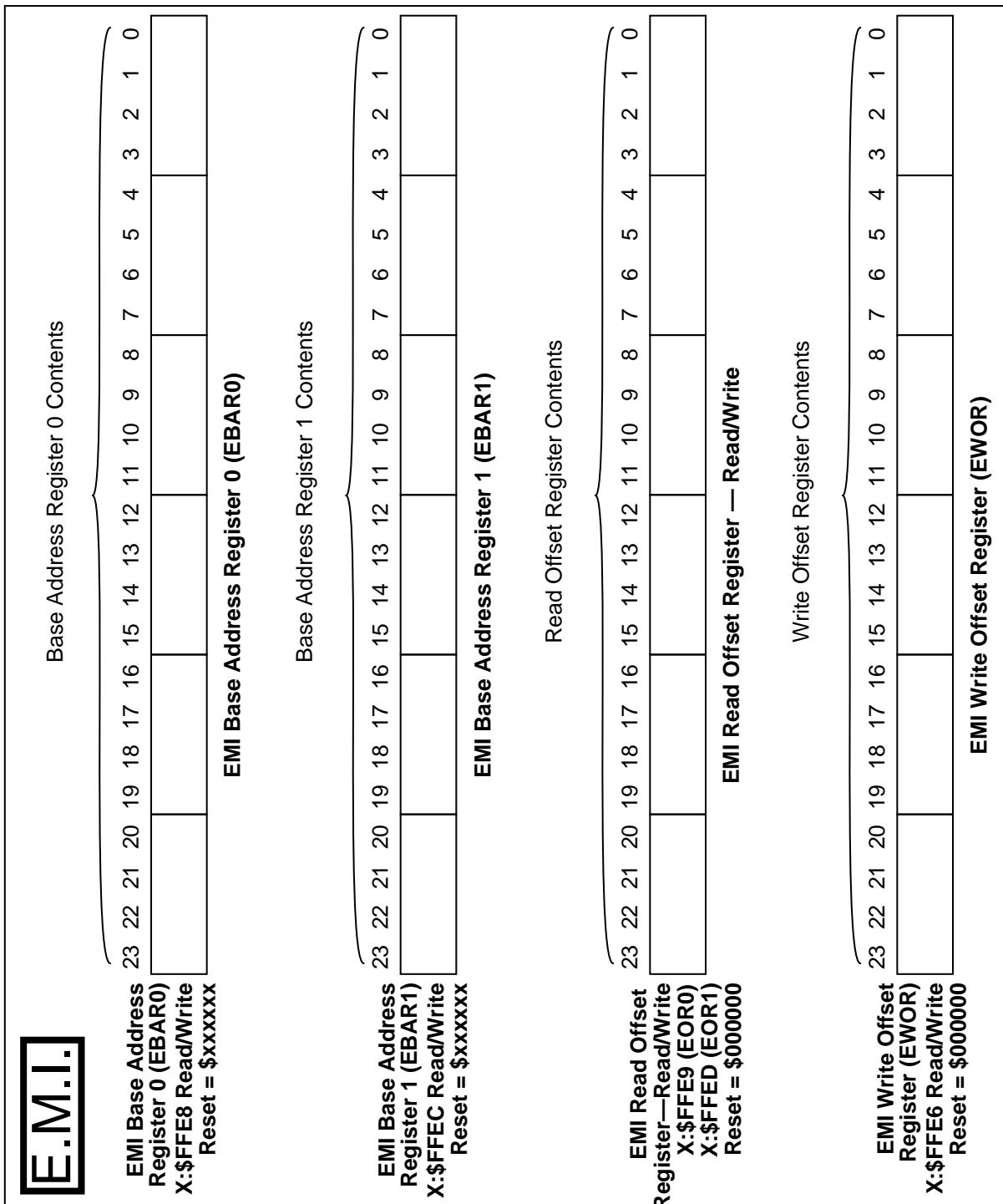


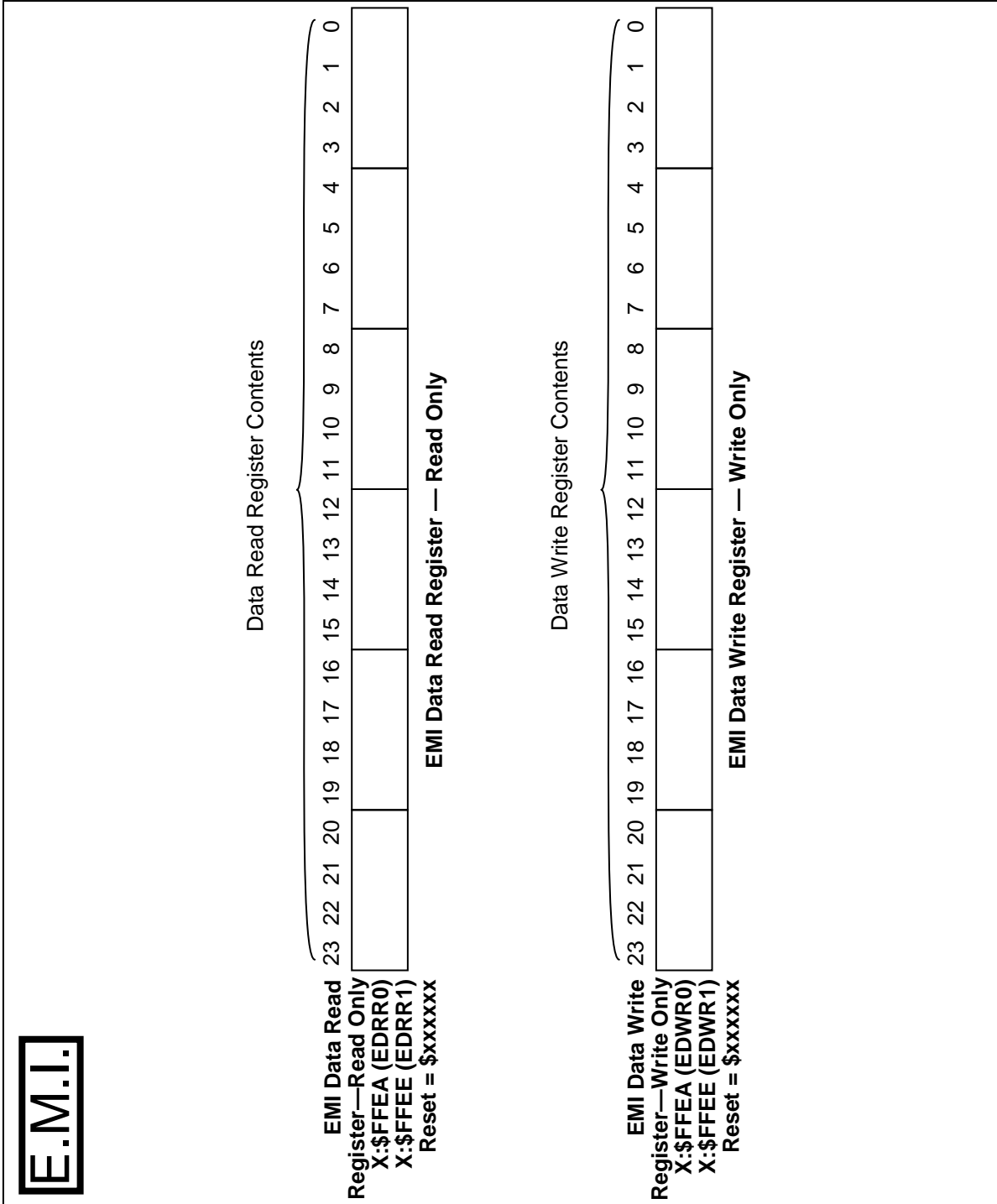
Figure B-7 EMI Base Address and Offset Registers

Application: _____

Date: _____

Programmer: _____

Sheet 3 of 4



Application: _____

Date: _____

Programmer: _____

Sheet 4 of 4

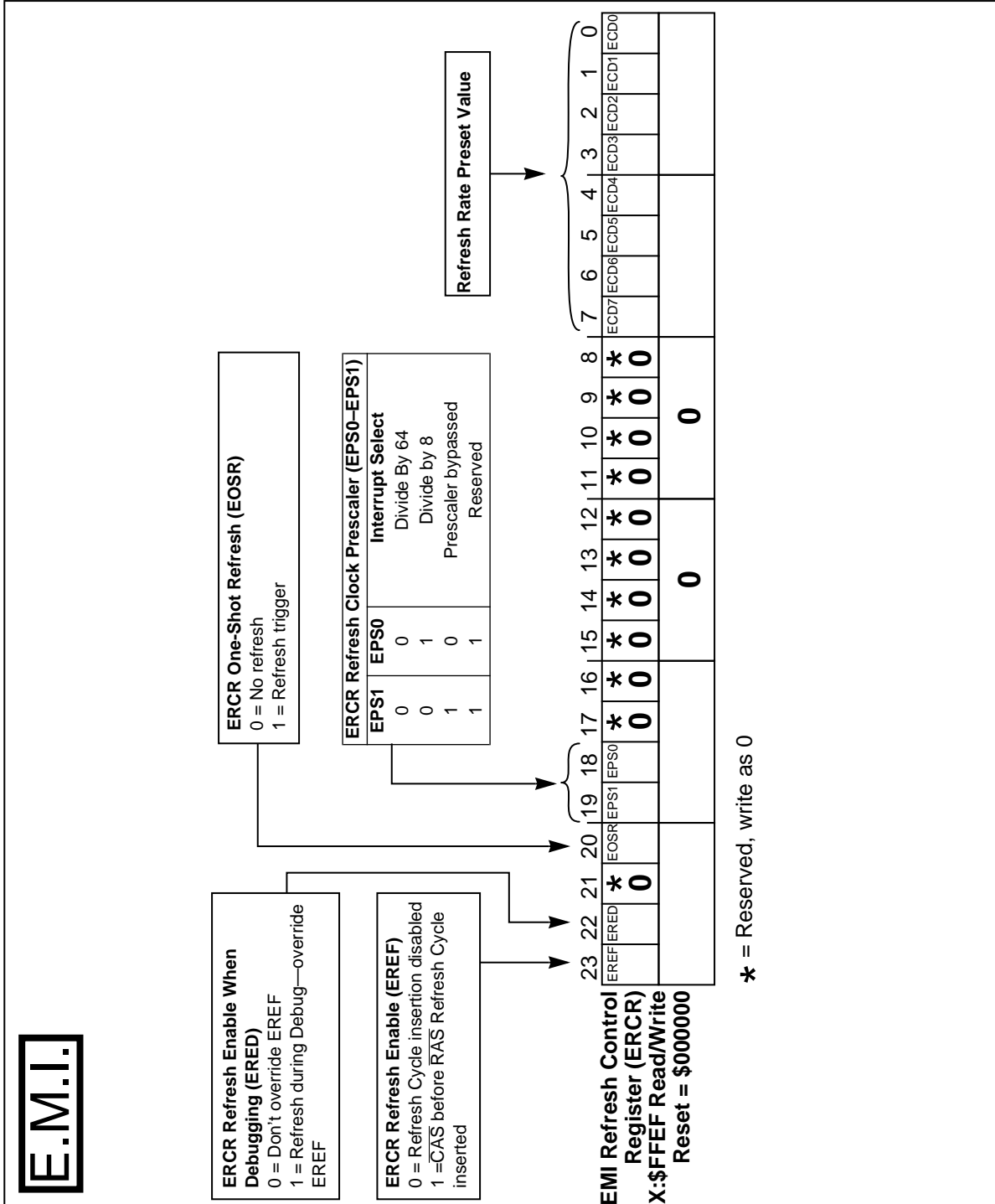


Figure B-9 EMI Refresh Control Register (ERCR)

Application: _____

Date: _____

Programmer: _____

Sheet 1 of 3

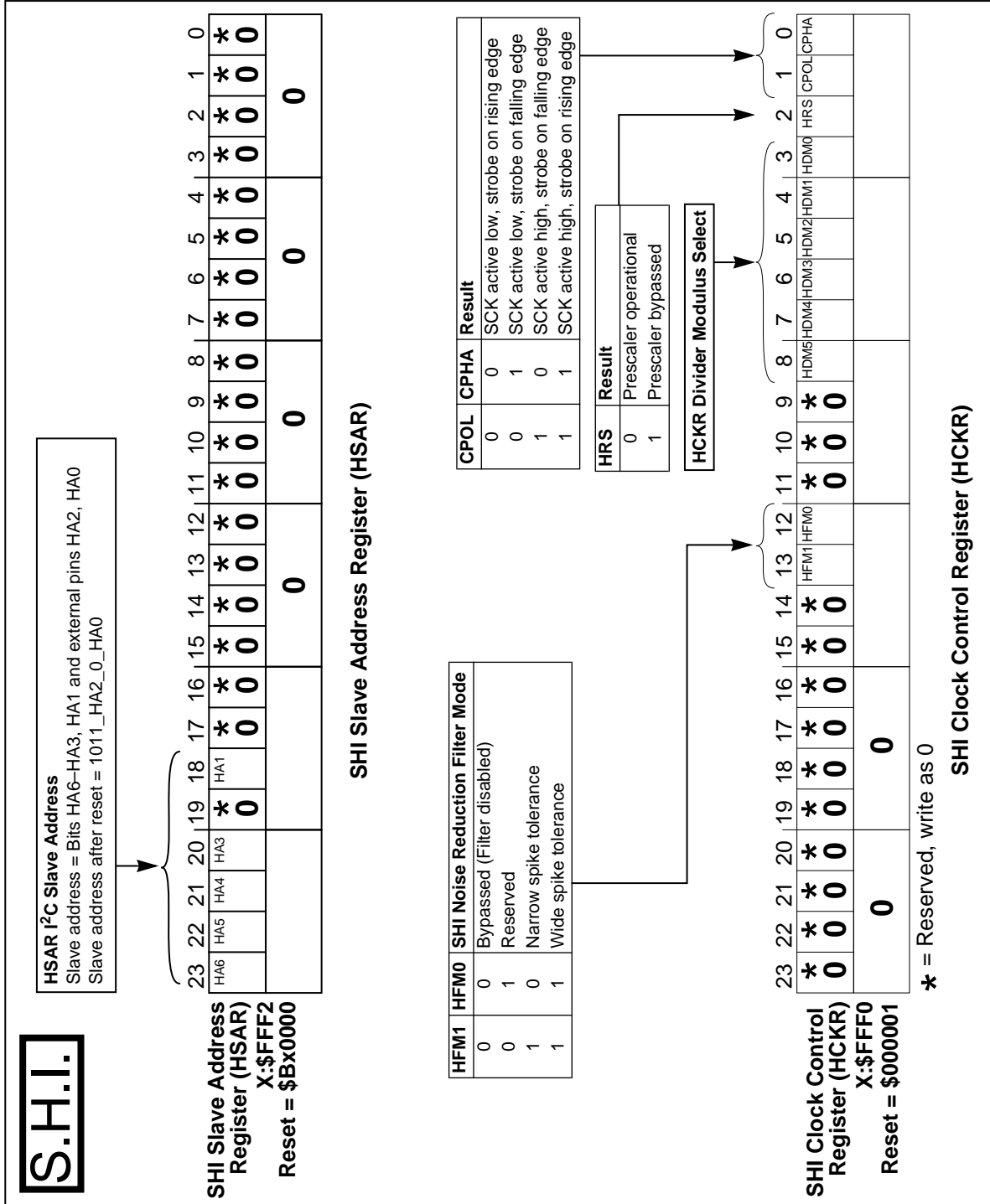


Figure B-10 SHI Slave Address and Clock Control Registers

Application: _____

Date: _____

Programmer: _____

Sheet 2 of 3

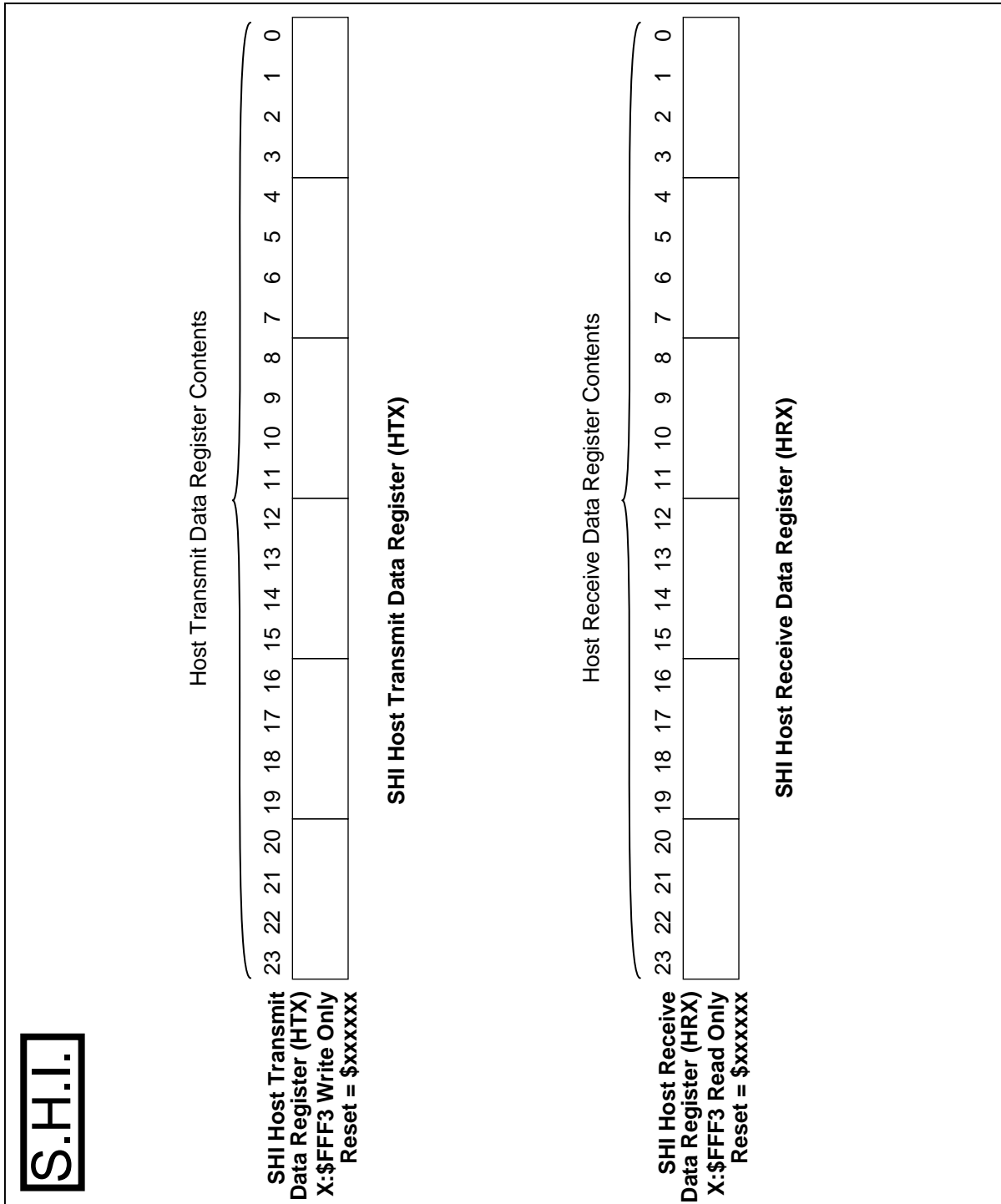


Figure B-11 SHI Host Data Registers

Application: _____

Date: _____

Programmer: _____

Sheet 3 of 3

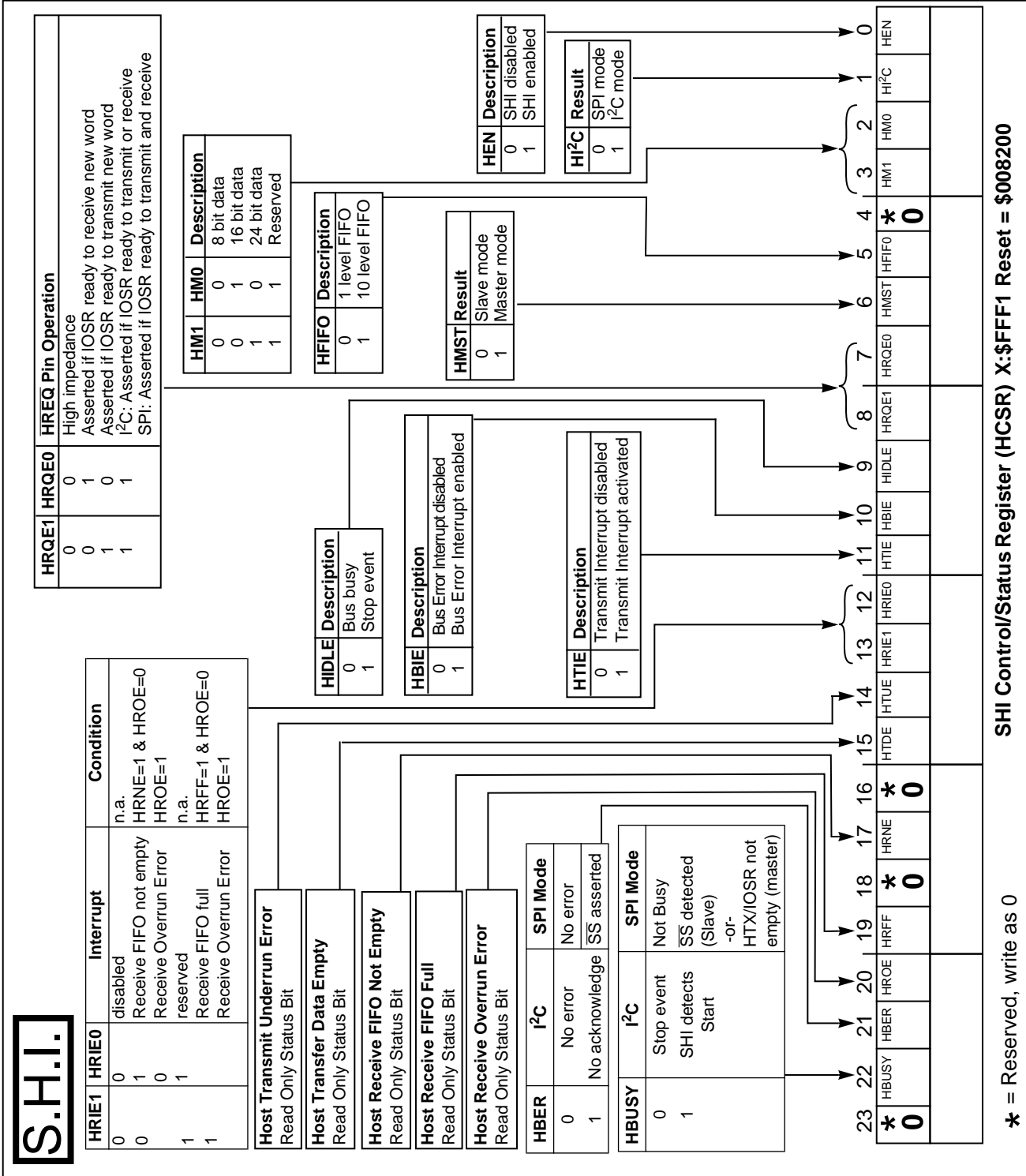


Figure B-12 SHI Control/Status Register (HCSR)

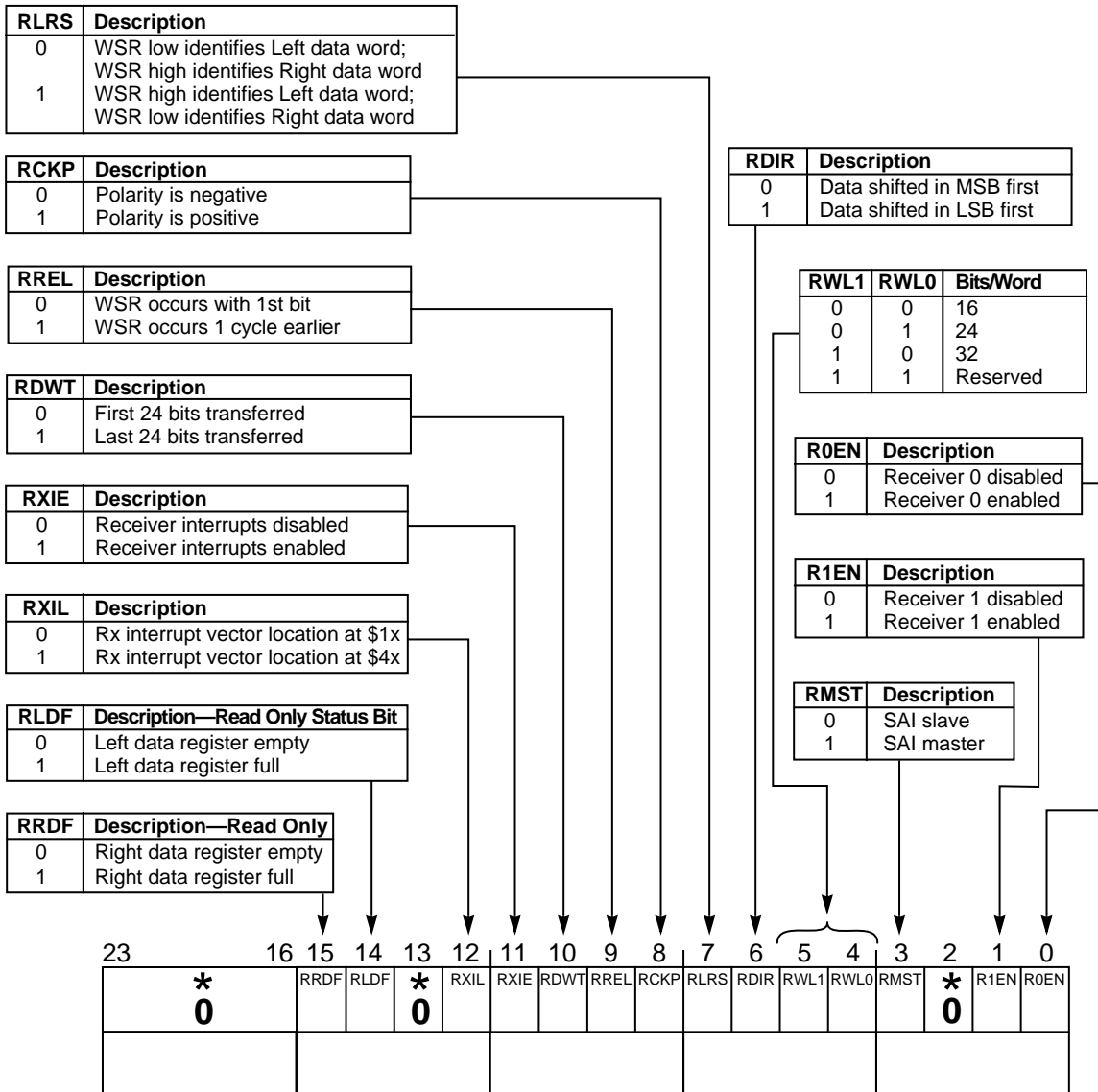
Application: _____

Date: _____

Programmer: _____

Sheet 1 of 4

S.A.I.



Receiver Control/Status Register (RCS) X:\$FFE1 Reset = \$0000

* = Reserved, write as 0

Figure B-13 SAI Receiver Control/Status Register (RCS)

Application: _____ Date: _____

Programmer: _____

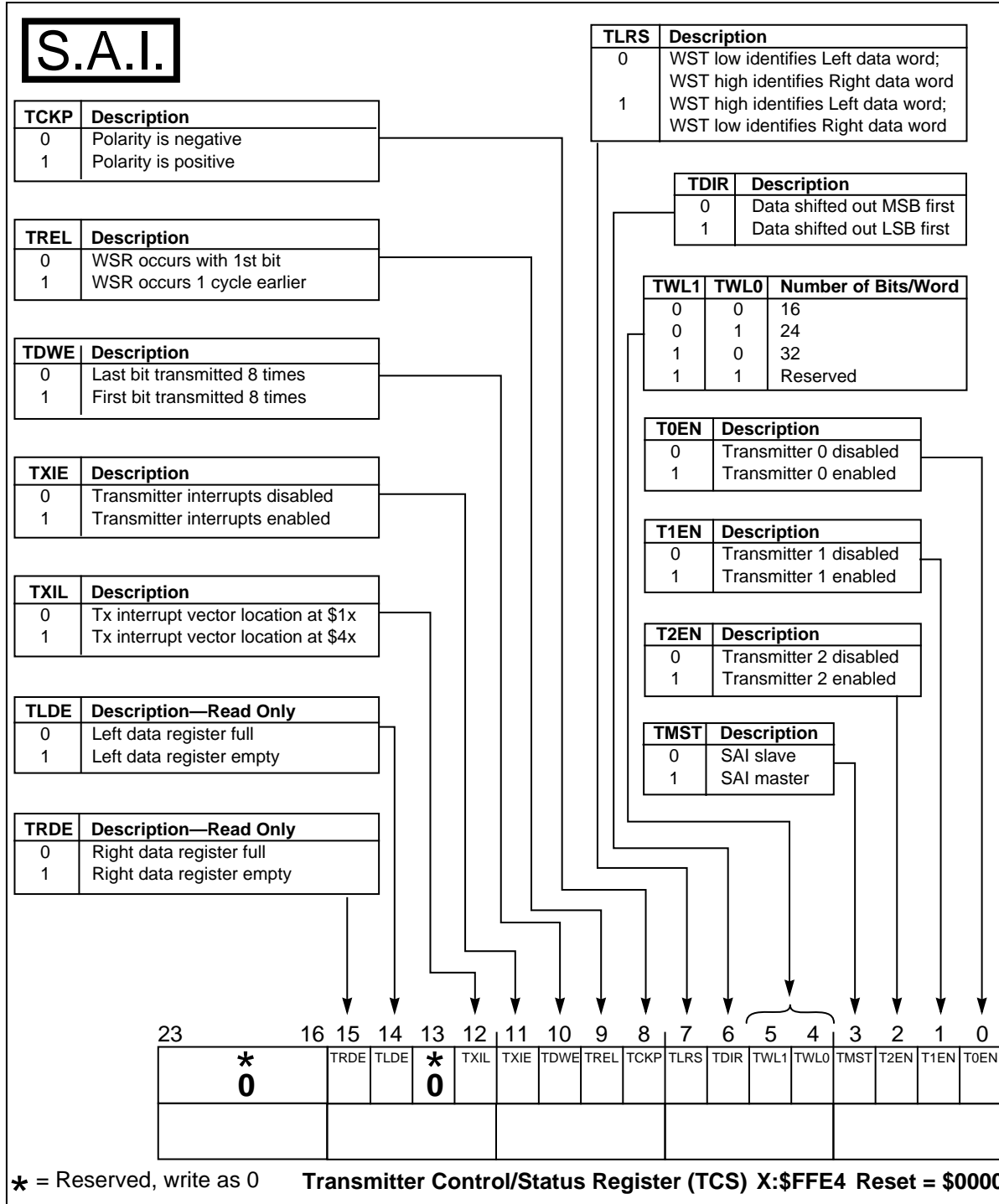


Figure B-14 SAI Transmitter Control/Status Register (TCS)

Application: _____

Date: _____

Programmer: _____

Sheet 3 of 4

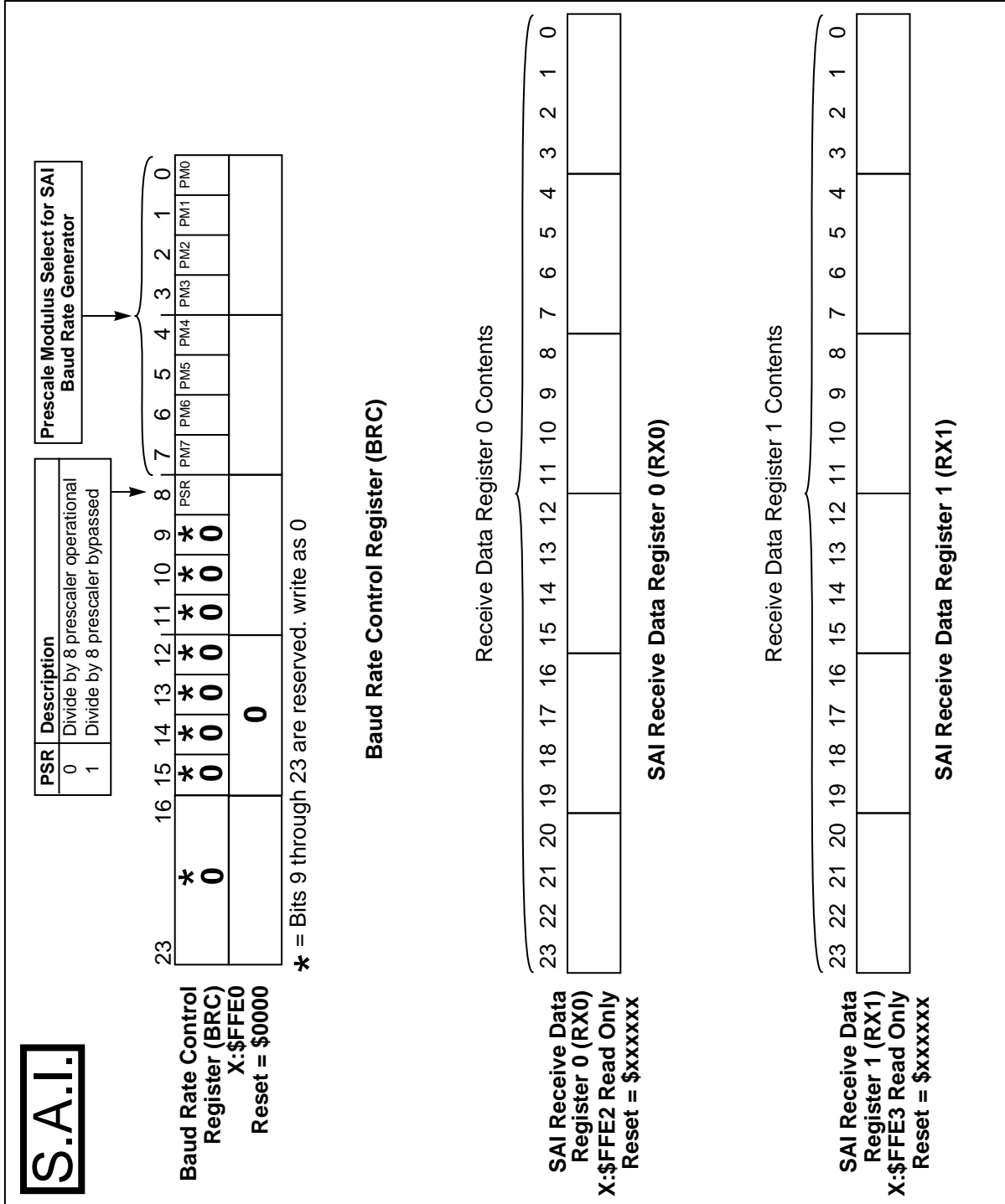


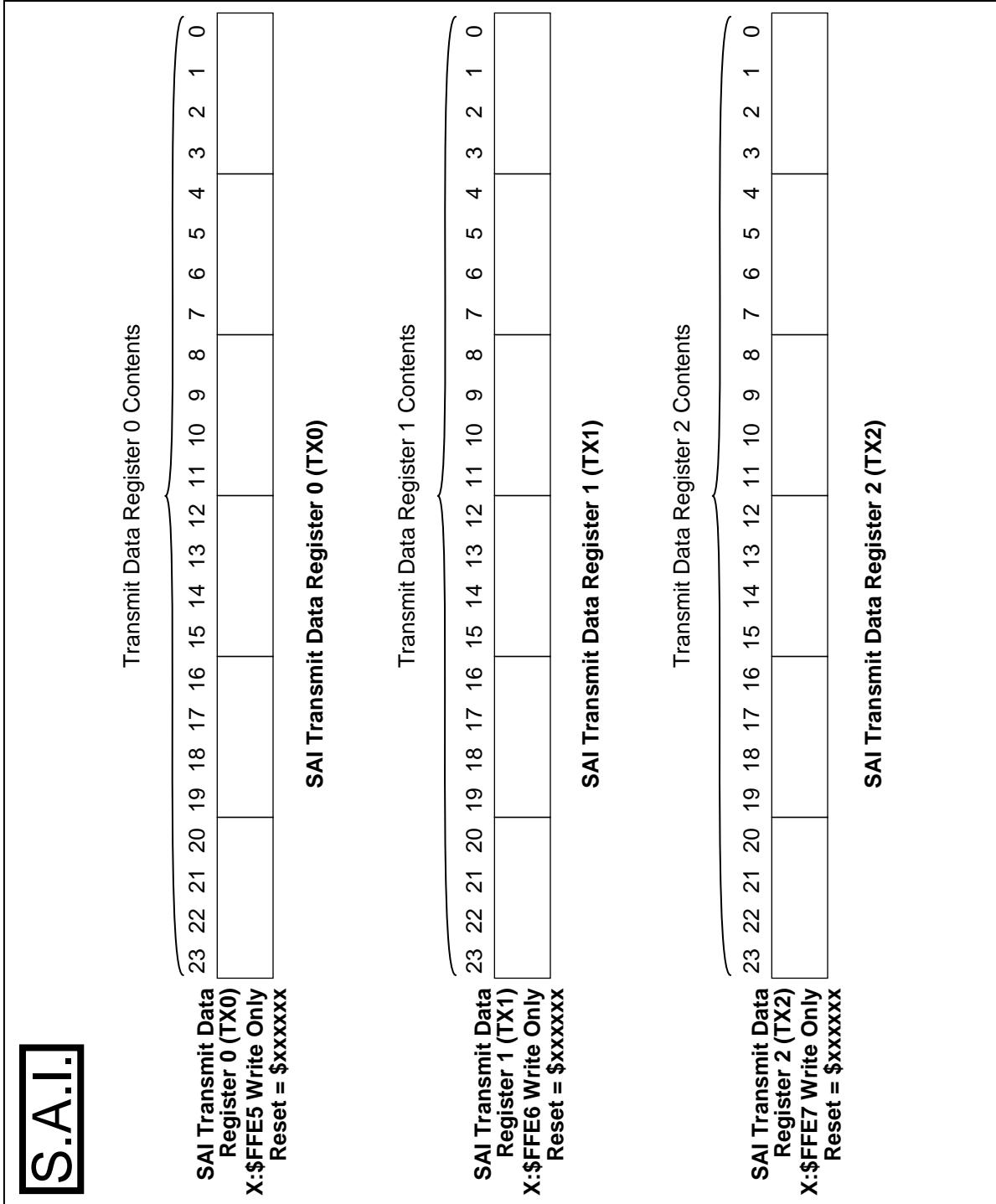
Figure B-15 SAI Baud Rate Control and Receive Data Registers

Application: _____

Date: _____

Programmer: _____

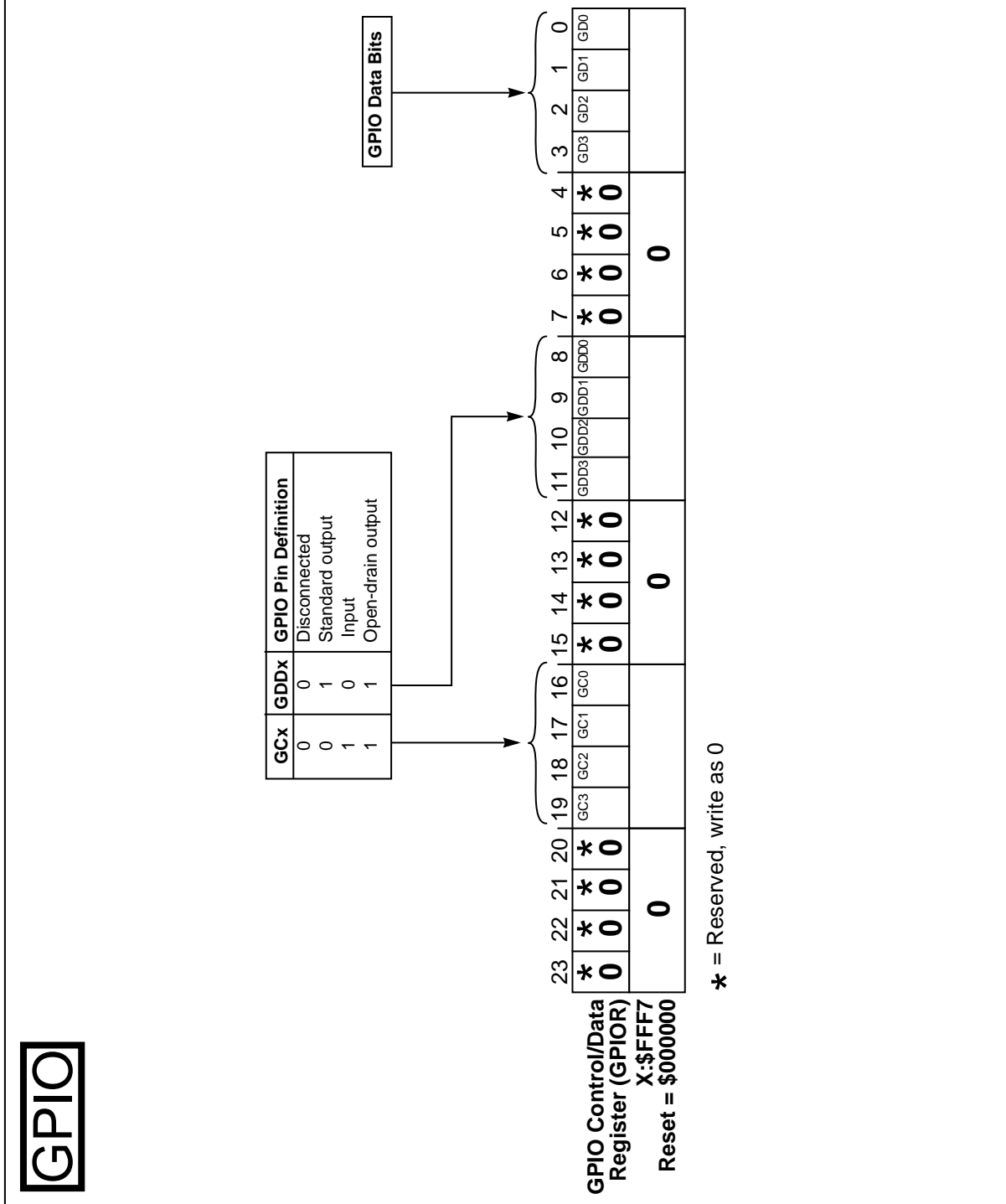
Sheet 4 of 4



Application: _____

Date: _____
 Programmer: _____

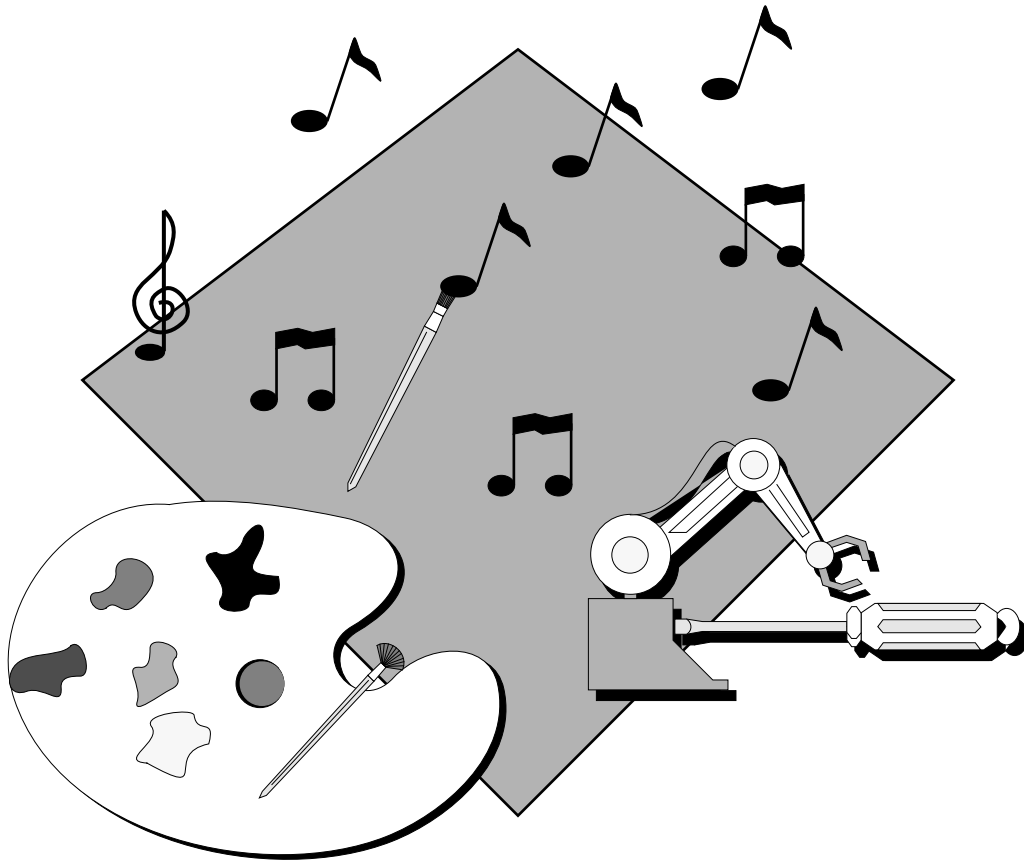
Sheet 1 of 1





APPENDIX C

APPLICATION EXAMPLES





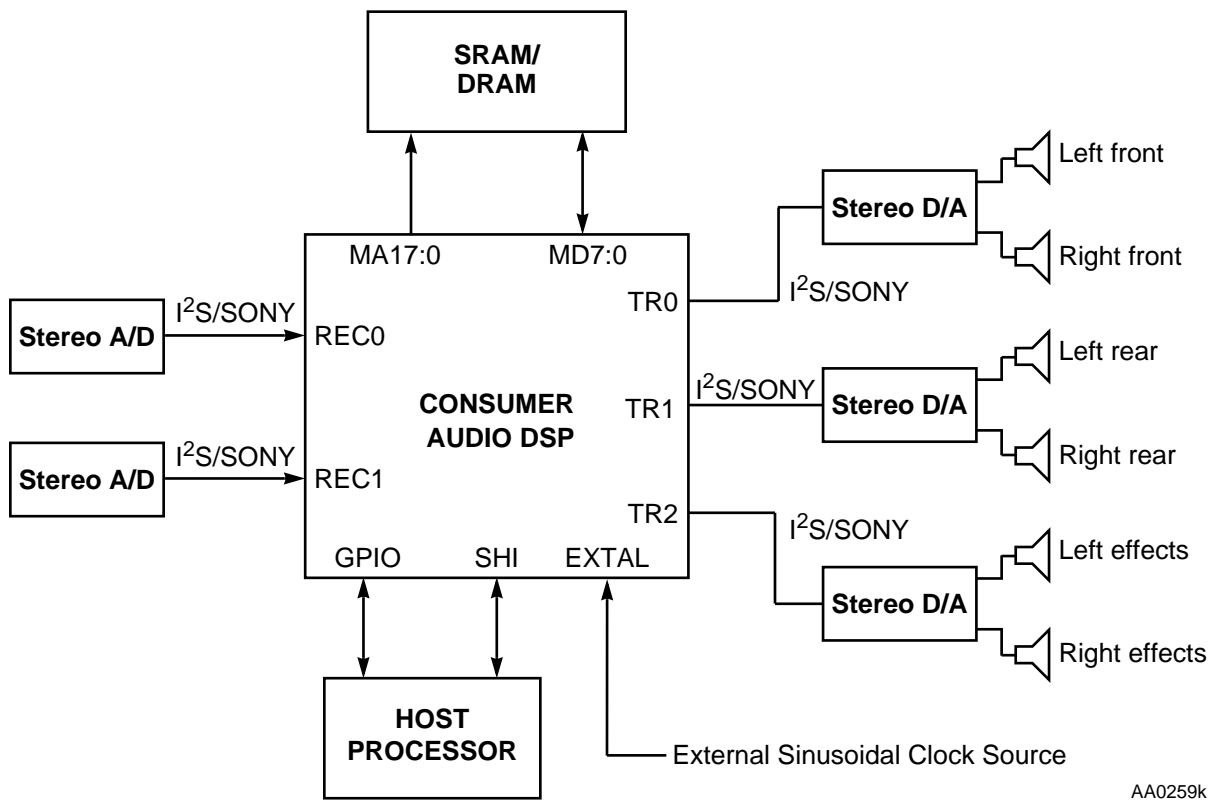
| | | |
|-----|-------------------------------|-----|
| C.1 | INTRODUCTION | C-3 |
| C.2 | TYPICAL SYSTEM TOPOLOGY | C-3 |
| C.3 | PROGRAM OVERLAY | C-4 |
| C.4 | SINGLE DELAY LINE | C-4 |
| C.5 | EARLY REFLECTION FILTER | C-5 |
| C.6 | TWO CHANNEL COMB FILTER | C-6 |
| C.7 | 3-TAP FIR FILTER | C-8 |

C.1 INTRODUCTION

Several examples illustrating the use of the DSP in common audio applications are presented in this section. The examples assume that the DSP is in the SRAM mode and configured for 0 wait states, 24-bit words, and an 8-bit bus (12 clock cycles-per-word transfer).

C.2 TYPICAL SYSTEM TOPOLOGY

Figure C-1 shows the topology of a typical DSP audio application.



AA0259k

Figure C-1 Topology of DSP Typical Audio Application

C.3 PROGRAM OVERLAY

The following routine illustrates a program overlay by replacing N instruction words in the internal program memory. The EMI operates in the linear SRAM mode (EAM (3:0) = 0) with 0 wait states. It is also assumed that the external memory device (EPROM/SRAM) receives its chip select from GPIO3.

overlay

```

movep    #OL_SRAM,x:ECSR           ; RAM definition
movep    $000f07x,x:GPIOR         ; assert GPIO3 - enable CS
movep    #>EXT_PROG_BUF,x:EBAR0    ; start address of external buffer
movep    #0,x:EOR0                ; drive 1st read trigger
move     #>INT_PROG_BUF,r0        ; start address of internal buffer
movep    #0,x:EOR0                ; drive 2nd read trigger
bset     #ERTS,x:ECSR             ; set read triggers by reading EDDR
do       #(N-2),end_OL           ; loop to drive more (N-2) triggers
rep      #1
nop

movep    x:EDRR0,p:(r0)+          ; move previous read data to PMEM and
                                   ; trigger next read cycle

end_OL

bclr     #ERTS,x:ECSR             ; turn off read triggers by EDDR read
movep    x:EDRR0,p:(r0)+          ; move instruction #N-1 to PMEM
movep    x:EDRR0,p:(r0)+          ; move instruction #N to PMEM
bset     #GPIOR,x:GPIOR          ; negate GPIO3 - disable CS
    
```

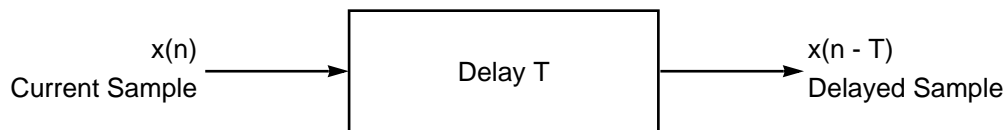
C.4 SINGLE DELAY LINE

The following routine is an example of a single delay line, as illustrated in **Figure C-2**. This type of routine is typically used in surround sound or reverb applications.

Delay_Line

```

movep    #RAM,x:ECSR              ; use EINR = 1.
movep    y:Write_Off,x:EWOR       ; optional change of write offset
movep    y:Delay_Base,x:EBAR0     ; load base address
movep    #(T_dly-1),x:EOR0        ; read trigger for delayed sample
movep    x:SAMPLE,x:EDWR0         ; write trigger for current sample
movep    x:EBAR0,y:Delay_Base     ; store updated base address
nop                                     ; nop or other
movep    x:EDRR0,y0              ; read the delayed data
    
```



AA0447

Figure C-2 Single Delay Line

C.5 EARLY REFLECTION FILTER

The following routine is an example of an N-taps Early Reflection filter to perform the following computation:

$$y(n) = \text{SUM} [\{i = 1 \dots N\} g(i) x(n-T(i))]$$

```

movep    #RAM,x:ECSR                ; ECSR with EINW = 1
move     #GAIN_Base,r4              ; gain table base
move     #Off_Base,r0               ; offset table base
movep    y:FIR_Base,x:EBAR0         ; FIR base address
movep    x:(r0)+,x:EOR0              ; drive 1st read cycle
clr a    x:(r0)+,x0 y:(r4)+,y0      ; fetch 1st gain and 2nd delay

do       #(N-1),end_E
movep    x0,x:EOR0                  ; initiate next read
                                                ; trigger
nop                                             ; nop or other
nop                                             ; nop or other
movep    x:EDRR0,x1                 ; read current data
mac      x1,y0,a x:(r0)+,x0 y:(r4)+,y0
                                                ; sum, fetch next gain and offset
nop                                             ; nop or other

end_E

movep    x:SAMPLE,x:EDWR0           ; write current sample to delay line.
                                                ; EWOR = 0
nop                                             ; nop or other
movep    x:EDRR0,x1                 ; read last data
macr     x1,y0,a                    ; compute the output
movep    x:EBAR0,y:FIR_Base         ; store FIR base
move     a,x:FIR_output              ; store result in internal memory
    
```

C.6 TWO CHANNEL COMB FILTER

The following program implements a two channel (left and right) comb filter structure in which gain and delays are not equal. This type of program is typically used in surround sound and reverb applications. The filter structure is illustrated in **Figure C-3**. This example makes extensive use of the dual channel capability and pipeline mechanism of the EMI. The code is optimized for SRAM (0 wait-state) 24-bit words and 8-bit bus (6 instruction cycles per access). In the event that another EMI mode is being selected, NOP instructions might be added in the noted points (#1, #2, and #3). The optimized code for Fast DRAM mode, 24-bit words and 8-bit bus (7 I_{cyc} per access and data available for read at last I_{cyc} of the access) is achieved by adding 4 NOP instructions at point #3. This code assumes EWOR is already loaded with offset zero.

```

; dual_comb

move    #<Base_buff,r0          ; pointer to base address values
move    #<Off_buff,r1           ; pointer to offset (delay)values
move    #<Gain_buff,r2         ; pointer to gains values
move    #<SAMPLE,r4            ; pointer to left/right samples
move    #0,x0
move    #0,x1                   ; x1 accumulates right comb outputs
move    #0,y1                   ; x1 accumulates left comb outputs
movep   #MODE,x:ECSR           ; EINR = 1, ERTS = 0
do      #N,end_comb
move    x1,b                    ; load right channel output
movep   x:(r0),x:EBAR0         ; base address of left channel
movep   x:(r1),x:EOR0         ; read trigger of left channel
movep   y:(r0),x:EBAR1         ; base address of right channel
movep   y:(r1),x:EOR1         ; read trigger of right channel
add     x0,b x:(r2),x0 y:(r4),a ; get left sample and gain values

movep   x:EBAR0,x:(r0)         ; update base address left
; point (#1)
; insert "nop or other"
; instructions if required

movep   x:EDRR0,y0            ; read data of left channel
macr    x0,y0,a d,x1          ; compute input to delay buffer
; (left) and store right channel output

movep   a,x:EDWR0             ; insert input in delay buffer (left)
move    y1,b                  ; load left channel output
add     y0,b y:(r2)+,y0 x:(r4),a ; get right sample and gain values
movep   x:EBAR1,y:(r0)+       ; update base address (right)
; point (#2)
; insert "nop or other"
; instructions if required

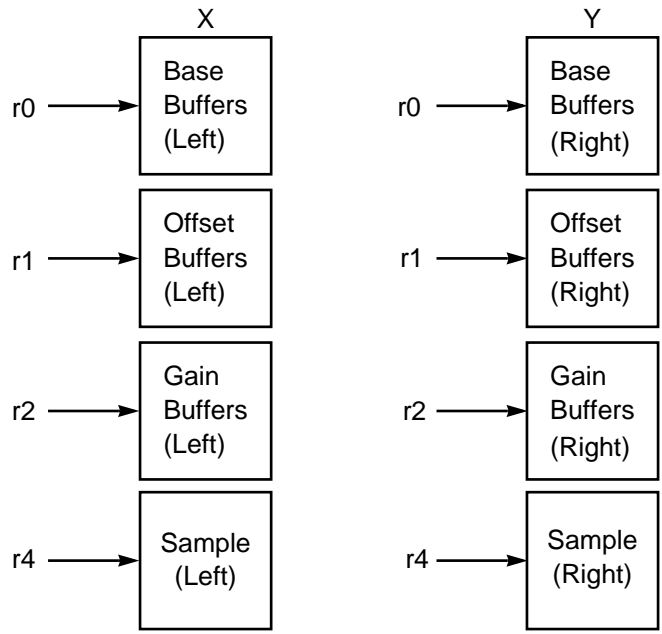
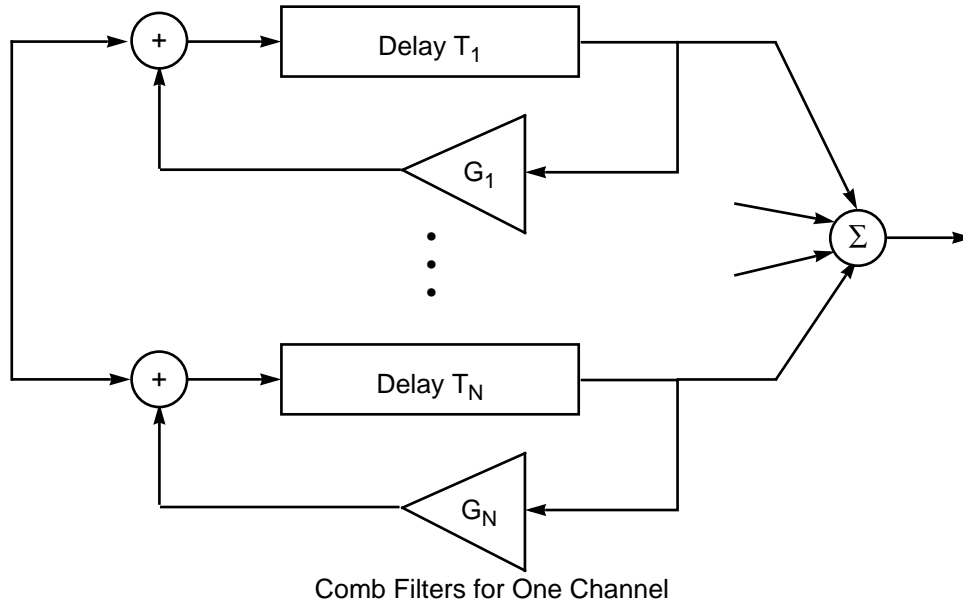
movep   x:EDRR1,x0            ; read data of right channel
macr    x0,y0,a b,y1          ; compute input to delay buffer (right) and
; store left channel output

movep   a,x:EDWR1             ; insert input in delay buffer (right)
; point (#3)
; insert "nop or other"
    
```

```

; instructions if required
nop ; nop or other
nop ; nop or other
end comb
move x1,b
add x0,b y1,y:out_left ; store left output
move b,x:out_right ; store right output

```



AA0448

Figure C-3 Two-Channel Comb Filter Structure

C.7 3-TAP FIR FILTER

The following program implements a 3-tap FIR filter. This type of program is typically used in generating early reflection information for surround sound and reverb applications. The filter structure is illustrated in **Figure C-4**. This code segment assumes accesses of 16-bit words on an 8-bit bus, “fast” DRAM timing (26 instruction cycles), and 0-wait state SRAM timing (20 instruction cycles).

Number of memory storage locations = $T3(\text{seconds}) \times fs (\text{Hz})$.

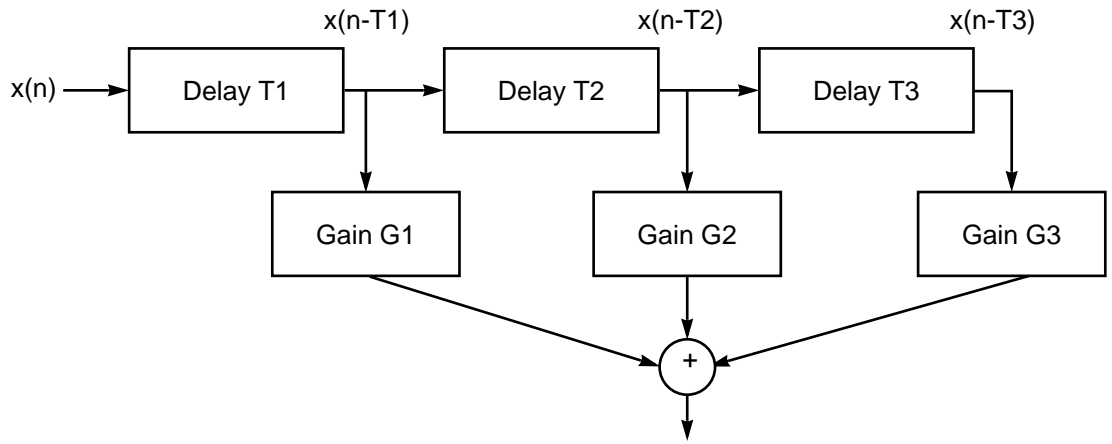
For a 50 ms delay and 44.1 KHz sampling rate: $0.05 \times 44100 = 2205$ locations.

FIR Filter Assembler Code (EMI mode: increment EBAR on write operation):

```

movep    x:FIR_BASE,x:EBAR0      ; set FIR base address
movep    #T1_OFF,x:EOR0          ; offset T1 and trigger mem. read
                                        ; wait 3 (DRAM) or 1 (SRAM) inst.
                                        ; cycles or do other tasks
movep    #T2_OFF,x:EOR0          ; offset T2 and trigger mem. read
clr a    x:G1,x0                 ; get G1,clear accumulator
movep    x:EDRR0,y0              ; get x(n-T1)
movep    #T3_OFF,x:EOR0          ; offset T3 and trigger r mem. read
mac      x0,y0,a    x:G2,x0       ; y(n) = G1 x(n-T1),get G2
                                        ; wait 2 (DRAM) or 0(SRAM)
                                        ; inst. cycles or do other tasks
movep    x:EDRR0,y0              ; get x(n-T2)
mac      x0,y0,a    x:G3,x0       y(n) = y(n)+G2 x(n-T2)
                                        ; get G3, wait 4 (DRAM)or 2 (SRAM) inst. cycles
                                        ; or do other tasks
movep    x:EDRR0,y0              ; get x(n-T3)
movep    x:SAMPLE,x:EDWR0        ; store x(n) in mem.
mac      x0,y0,a                  ; calculate y(n) = y(n) + G3 x(n-T3)

```



$$y(n) = G1 x (n - T1) + G2 x (n - T2) + G3 x (n - T3) \quad \text{AA0449}$$

Figure C-4 3 Tap FIR Filter

Freescale Semiconductor, Inc.

INDEX

A

Address Buses 1-12
 Address Generation Unit 1-11
 Application Examples C-1
 Application Examples — See Appendix D
 Applications
 Early Reflection Filter C-6
 Program Overlay C-5
 Single Delay Line C-5
 Two Channel Comb Filter C-7

B

Base Address Registers (EMI) 4-7
 bootstrap ROM 1-15
 Bootstrap ROM — See Appendix A
 Burst Refresh 4-36

C

CDP Format 1-18, 6-3
 Clock and PLL Signals 2-6
 Clock Signals 2-6
 Comb Filter (Two Channel) C-7
 Comb Filter Program C-7
 Continuous Refresh 4-36
 CPHA and CPOL (HCKR Clock Phase and Polarity Controls) 5-9

D

Data ALU 1-10
 Data Buses 1-12
 Data Delay Structure Illustration 4-46
 DRAM Absolute Addressing 4-30
 Word to Physical Address Mapping 4-31
 DRAM Refresh 4-31
 Cycle (Fast) Timing Diagram 4-37
 Cycle (Slow) Timing Diagram 4-37
 Timing 4-35
 Timing Requirements 4-35
 DRAM Word Address to Physical Address Mapping 4-28

E

EAM0-EAM3 (ECSR EMI Addressing Mode) 4-12

Early Reflection Filter Program C-6
 EBAR0 and EBAR1 (EMI Base Address Registers) 4-7
 EBDF (EMI Data Register Buffer and Data Read Register Full) 4-18
 EBRB (EMI Data Register Buffer) 4-9
 EBSY (ECSR EMI Busy) 4-19
 EBW (ECSR Data Bus Width) 4-10
 ECD0-ECD7 (EMI Refresh Clock Divider) 4-22
 ECSR (EMI Control/Status Register) 4-10
 EDAR0 and EDARR1 (EMI Data Read Registers) 4-9
 EDRF (EMI Data Read Register Full) 4-18
 EDTM (EMI DRAM Memory Timing) 4-19
 EDWE (EMI Data Write Register Empty) 4-18
 EDWR0 and EDWR1 (EMI Data Write Registers) 4-9
 EINR (EMI Increment EBAR After Read) 4-16
 EINW (EMI Increment EBAR After Write) 4-16
 EIS0-EIS1 (ECSR EMI Read/ Write Interrupt Select) 4-17
 EME (ECSR EMI Enable) 4-21
 EME (EMI Enable) 4-21
 EMI 1-17, 4-3
 Address Generation 4-23
 Address Generation Block Diagram 4-23
 Addressing Extension Bits 4-24
 Addressing Modes 4-12
 Base Address Registers 4-7
 Burst Refresh 4-36
 Control/Status Register 4-10
 Control/Status Register (ECSR) 4-8
 Data Read Register 4-9
 Data Register Buffer 4-9
 Data Write Register 4-9
 DRAM
 Absolute Addressing 4-30
 Absolute Word Storage Locations 4-15
 Refresh 4-31
 Refresh Timing 4-35
 Relative Addressing 4-27
 Relative Word Storage Locations 4-14
 Timing 4-19
 ECSR
 Memory Wrap Interrupt Enable 4-17
 Read/Write Interrupt Select 4-17
 EOR 4-8
 ERCR

F

- Refresh Enable 4-23
- Exception Priorities 4-5
- External Memory Interface 1-9
- Features 4-4
- Interrupt Select 4-17
- Interrupt Vectors 4-5
- Locations Per Word 4-10
- Memory Accesses Per Word 4-10
- Off Line Refresh 4-34
- Offset Register 4-7, 4-8
- On Line Refresh 4-33
- Operating Considerations 4-38
- Operation During STOP 4-45
- Operation During WAIT 4-45
- Pipeline 4-39
- Programming Model 4-5
- Read Data Transfer 4-40
- Refresh Control Register 4-21
- Refresh Timer 4-33
- Software Controlled Refresh 4-34
- SRAM Absolute Addressing 4-24
- SRAM Relative Addressing 4-25
- SRAM Timing 4-20
- SRAM Word Storage Locations 4-13
- Timing 4-50
- Triggering and Pipelining 4-38
- Word Length 4-11
- Write Data Transfer 4-43
- Write Offset Register (EWOR) 4-7
- EMI Operating States 2-9
- EMWIE (ECSR EMI Memory Wrap Interrupt Enable) 4-17
- EOSR (EMI One-Shot Refresh) 4-22
- EOSR (ERCR One-Shot Refresh) 4-22
- EPS0-EPS1 (EMI Refresh Clock Prescaler) 4-22
- ERCR (EMI Refresh Control Register) 4-21
- ERED (EMI Refresh Enable When Debugging) 4-22
- ERED (ERCR Refresh Enable When Debugging) 4-22
- EREF (EMI Refresh Enable) 4-23
- ERTS (EMI Read Trigger Select) 4-19
- ESTM0-ESTM3 (EMI SRAM Memory Timing) 4-20
- EWL0-EWL2 (EMI Word Length) 4-11
- EWOR (EMI Write Offset Register) 4-7
- Examples C-1
- External
 - Memory Interface — See Section 4

- External Memory Interface (EMI) 1-9
- External Memory Interface (EMI) Signals 2-7

F

- Fast Read or Write DRAM Access Timing 4-52, 4-53, 4-54, 4-55, 4-56, 4-57
- FIR Filter (3 Tap) C-10
- FIR Filter Program C-10
- Frequency Multiplication by the PLL 1-12

G

- GC0-GC3 (GPIOR Control Bits) 7-4
- GD0-GD3 (GPIOR Data Bits) 7-4
- GDD0-GDD3 (GPIOR Data Direction Bits) 7-4
- General Purpose I/O — See Section 7
- General Purpose I/O (GPIO) 1-18
- General Purpose I/O Signal Descriptions 2-21
- General Purpose Input/Output (GPIO) 1-10
- GPIO
 - Circuit Diagram 7-5
 - Control/Data Register 7-3
 - GPIOR
 - Control Bits 7-4
 - Data Bits 7-4
 - Data Direction Bits 7-4
 - Pin Definition 7-4
 - Programming Model 7-3
- GPIO (General Purpose I/O) 1-18
- Ground 2-5
- PLL 2-5

H

- HA1, HA3-HA6 (HSAR I²C Slave Address) 5-9
- HBER (HCSR Bus Error) 5-18
- HBIE (HCSR Bus Error Interrupt Enable) 5-16
- HBUSY (HCSR Host Busy) 5-18
- HCKR (SHI Clock Control Register) 5-9
- HCSR
 - Receive Interrupt Enable Bits 5-17
 - SHI Control/Status Register 5-13
- HDM0-HDM5 (HCKR Divider Modulus Select) 5-11
- HEN (HCSR SHI Enable) 5-13
- HFIFO (HCSR FIFO Enable Control) 5-14
- HFM0-HFM1 (HCKR Filter Mode) 5-11
- HI²C (HCSR Serial Host Interface I²C/SPI Selection) 5-13

HIDL (HCSR Idle) 5-15
 HM0-HM1 (HCSR Serial Host Interface Mode) 5-13
 HMST (HCSR Master Mode) 5-14
 Host
 Transmit Data Register—DSP Side 5-8
 HREQ Function In SHI Slave Modes 5-15
 HRFF (HCSR Host Receive FIFO Full) 5-18
 HRNE (Host Receive FIFO Not Empty) 5-17
 HROE (HCSR Host Receive Overrun Error) 5-18
 HRQE0-HRQE1 (HCSR Host Request Enable) 5-14
 HTDE (HCSR Host Transmit Data Empty) 5-17
 HTIE (HCSR Transmit Interrupt Enable) 5-16
 HTUE (Host Transmit Underrun Error) 5-17

I

I²C 5-19
 Bit Transfer 5-20
 Bus Protocol For Host Read Cycle 5-23
 Bus Protocol For Host Write Cycle 5-23
 Data Transfer Formats 5-22
 Master mode 5-27
 Protocol for Host Read Cycle 5-23
 Protocol for Host Write Cycle 5-23
 Receive Data In Master mode 5-29
 Receive Data In Slave Mode 5-26
 Slave Mode 5-25
 Start and Stop Events 5-20
 Transmit Data In Master mode 5-29
 Transmit Data In Slave Mode 5-27

I²C 1-18, 5-3

I²C Bus Acknowledgment 5-22

I²C Mode 5-3

I²S Format 1-18, 6-3

Input/Output 1-16

Instruction Set Summary B-7

Inter Integrated Circuit Bus 1-18

Inter Integrated-Circuit Bus 5-3

Internal Exception Priorities

 SHI 5-6

Internal Interrupt Priorities

 SAI 6-9

Interrupt

 Sources 1-13, B-5

 Starting Addresses 1-13, B-5

Interrupt and Mode Control Signals 2-10

Interrupt Priority Level (IPL) 3-11

Interrupt Priority Register (IPR) 3-11

Interrupt Vectors

EMI 4-5

SHI 5-6

Interrupts — See Section 3

L

Low Power Divider 1-12

M

Manual Conventions 1-5

Maximum DSP Clock Frequencies

 when using DRAM 4-50

 when using EROM 4-51

 when using SRAM 4-51

MEC Format 1-18, 6-3

Memories 1-13

Memory — See Section 3

Memory Maps 1-16, B-4

MF0-MF11 (PLL Multiplication Factor bits) 3-15

Multiplication Factor (MF0-MF11) 3-15

O

OMR (Operating Mode Register) B-16

On 2-22

OnCE Debug Mode Consideration 4-32, 4-34

OnCE port signal descriptions 2-22

OnCE port Signals 2-22

On-Chip Emulation (OnCE) Port 1-12

On-Chip Emulation Port Signals 2-22

On-chip Peripherals Memory Map 1-16, B-4

Operating Mode Bits 3-9

Operating Mode Bits (MC, MB, MA) 3-9

Operating Mode Register (OMR) 3-9, B-16

Operating Modes 3-10, 3-11

Operating Modes — See Section 3

P

PCTL (PLL Control Register) B-17

PEN (PLL Enable) 2-7

Peripheral Memory Map 1-16, B-4

Phase Lock Loop (PLL) 1-12

PLL (Phase Lock Loop)

 Multiplication Factor (MF) bits 3-15

PLL (Phase-Locked Loop)

 Control Register (PCTL) B-17

PLL Signals 2-6

 PLL Filter Off-Chip Capacitor (PCAP) 2-7

PM0-PM7 (BRC Prescale Modulus Select) 6-10

Port A (External Memory Interface) 1-17

R

- Program Control Unit 1-11
- Program Memory 1-13
- Program Overlay C-5
- Programming
 - 3 Tap FIR Filter C-10
 - Early Reflection Filter C-6
 - Overlay C-5
 - SAI Considerations 6-24
 - Single Delay Line C-5
 - Transmitter Clock Polarity (TCKP) 6-20
 - Transmitter Data Shift Direction (TDIR) 6-19
 - Transmitter Data Word Expansion (TDWE) 6-21
 - Transmitter Left Right Selection (TLRS) 6-19
 - Two Channel Comb Filter C-7
- Programming Model
 - EMI 4-5
 - GPIO 7-3
 - SAI 6-8
 - SHI—DSP Side 5-7
 - SHI—Host Side 5-6
- Programming Sheets — See Appendix B
- PSR (BRC Prescaler Range) 6-10

R

- R0EN (RCS Receiver 0 Enable) 6-10
- R1EN (RCS Receiver 1 Enable) 6-11
- RCKP (RCS Receiver Clock Polarity) 6-13
- RCS (Receiver Control/Status Register) 6-10
- RDIR (RCS Receiver Data Shift Direction) 6-12
- RDWT (RCS Receiver Data Word Truncation) 6-14
- RLDF (RCS Receiver Left Data Full) 6-16
- RLRS (RCS Receiver Left Right Selection) 6-12
- RMST (RCS Receiver Master) 6-11
- RRDF (RCS Receiver Right Data Full) 6-16
- RWL0-RWL1 (RCS Receiver Word Length Control) 6-11
- RX0 and RX1 (Receive Data Registers) 6-17
- RXIE (RCS Receiver Interrupt Enable) 6-15
- RXIL (RCS Receiver Interrupt Location) 6-15

S

- SAI 6-3
 - Baud Rate Control Register (BRC) 6-9
 - Baud Rate Generator 6-4
 - BRC
 - Prescale Modulus Select 6-10

- Prescaler Range 6-10
- Reserved Bits 6-10
- Initiating A Transmit Session 6-24
- Internal Architecture 6-4
- Internal Interrupt Priorities 6-9
- Operation During Stop 6-24
- Operation Under Irregular Conditions 6-25
- Programming Considerations 6-24
- Programming Model 6-8
- RCS
 - Receiver 0 Enable 6-10
 - Receiver 1 Enable 6-11
 - Receiver Clock Polarity 6-13
 - Receiver Data Shift Direction 6-12
 - Receiver Data Word Truncation 6-14
 - Receiver Interrupt Enable 6-15
 - Receiver Interrupt Location 6-15
 - Receiver Left Data Full 6-16
 - Receiver Left Right Selection 6-12
 - Receiver Master 6-11
 - Receiver Relative Timing 6-13
 - Receiver Right Data Full 6-16
 - Receiver Word Length Control 6-11
- Receive Data Registers 6-17
- Receive Section 6-5
- Receive Section Block Diagram 6-5
- Receiver Clock Polarity (RCKP)
 - Programming 6-13
- Receiver Clock Polarity Programming 6-13
- Receiver Control/Status Register 6-10
- Receiver Data Shift Direction (RDIR)
 - Programming 6-12
- Receiver Data Word Truncation (RDWT)
 - Programming 6-14
- Receiver Left Right Selection (RLRS)
 - Programming 6-12
- Receiver Relative Timing (RREL)
 - Programming 6-14
- Registers 6-8
- Single Interrupt To Service Receiver And Transmitter 6-24
- TCS
 - Transmitter 0 Enable 6-17
 - Transmitter 1 Enable 6-17
 - Transmitter 2 Enable 6-18
 - Transmitter Clock Polarity 6-19
 - Transmitter Data Shift Direction 6-18
 - Transmitter Data Word Expansion 6-20
 - Transmitter Interrupt Enable 6-21

- Transmitter Interrupt Location 6-22
- Transmitter Left Data Empty 6-22
- Transmitter Left Right Selection 6-19
- Transmitter Master 6-18
- Transmitter Relative Timing 6-20
- Transmitter Right Data Empty 6-23
- Transmitter Word Length Control 6-18
- Transmit Data Registers 6-23
- Transmit Section 6-6
- Transmit Section Block Diagram 6-7
- Transmitter Clock Polarity
 - Programming 6-20
- Transmitter Control/Status Register (TCS) 6-17
- Transmitter Data Shift Direction
 - Programming 6-19
- Transmitter Data Word Expansion
 - Programming 6-21
- Transmitter Left Right Selection
 - Programming 6-19
- Serial Audio Interface — See Section 6
- Serial Audio Interface (SAI) 1-10, 1-18, 6-3
- Serial Audio Interface (SAI) Receiver signals 2-18
- Serial Audio Interface (SAI) Transmitter signals 2-20
- Serial Audio Interface Signal Descriptions 2-18
- Serial Host Interface — See Section 5
- Serial Host Interface (SHI) 1-10, 1-18, 5-3
- Serial Host Interface (SHI) signals 2-14
- Serial Peripheral Interface Bus 1-18, 5-3
- SHI 1-18, 5-3
 - Block Diagram 5-5
 - Clock Control Register—DSP Side 5-9
 - Clock Generator 5-4, 5-5
 - Control/Status Register—DSP Side 5-13
 - Data Size 5-14
 - Exception Priorities 5-6
 - HCKR
 - Clock Phase and Polarity Controls 5-9
 - Divider Modulus Select 5-11
 - Prescaler Rate Select 5-11
 - HCKR Filter Mode 5-11
 - HCSR
 - Bus Error Interrupt Enable 5-16
 - FIFO Enable Control 5-14
 - Host Request Enable 5-14
 - Idle 5-15
 - Master Mode 5-14
 - Serial Host Interface I²C/SPI Selection 5-13
 - Serial Host Interface Mode 5-13
 - SHI Enable 5-13
 - Host Receive Data FIFO—DSP Side 5-8
 - Host Transmit Data Register—DSP Side 5-8
 - HREQ
 - Function In SHI Slave Modes 5-15
 - HSAR
 - I²C Slave Address 5-9
 - Slave Address Register 5-9
 - I/O Shift Register 5-8
 - Input/Output Shift Register—Host Side 5-7
 - Internal Architecture 5-4
 - Internal Exception Priorities 5-6
 - Interrupt Vectors 5-6
 - Introduction 5-3
 - Operation During Stop 5-30
 - Programming Considerations 5-22
 - Programming Model 5-4
 - Programming Model—DSP Side 5-7
 - Programming Model—Host Side 5-6
 - Receive Data FIFO (HRX) 5-8
 - Receive Data FIFO—DSP Side 5-8
 - Slave Address Register—DSP Side 5-9
 - Transmit Data Register (HTX) 5-8
 - SHI Noise Reduction Filter Mode 5-12
 - Single Delay Line C-5
 - Single Delay Line Application C-5
 - Slow Read or Write DRAM Access Timing 4-58, 4-59, 4-60, 4-61, 4-62, 4-63
 - SPI 1-18, 5-3
 - HCSR
 - Bus Error (HBER) 5-18
 - Host Busy 5-18
 - Host Receive FIFO Not Empty (HRNE) 5-17
 - Host Receive Overrun Error (HROE) 5-18
 - Host Transmit Data Empty (HTDE) 5-17
 - Host Transmit Underrun Error 5-17
 - Receive Interrupt Enable 5-16
 - Host Receive FIFO Full (HRFF) 5-18
 - Master Mode 5-24
 - Slave Mode 5-23
 - SPI Data-To-Clock Timing 5-11
 - SPI Data-To-Clock Timing Diagram 5-11
 - SPI Mode 5-3
 - SR (Status Register) B-14
 - SRAM Read/Write Timing 4-64
 - SRAM Word Address to Physical Address Mapping 4-26
 - Status Register (SR) B-14

T

Stop Delay (SD) bit 3-9

T

T0EN (TCS Transmitter 0 Enable) 6-17
T1EN (TCS Transmitter 1 Enable) 6-17
T2EN (TCS Transmitter 2 Enable) 6-18
TCKP (TCS Transmitter Clock Polarity) 6-19
TCS 6-22
TDIR (TCS Transmitter Data Shift
Direction) 6-18
TDWE (TCS Transmitter Data Word
Expansion) 6-20
Timing Diagrams for DRAM Addressing
Modes 4-51
Timing Diagrams for SRAM Addressing
Modes 4-64
Timing Skew 1-12
TLDE (TCS Transmitter Left Data Empty) 6-22
TMST (TCS Transmitter Master) 6-18
TRDE (TCS Transmitter Right Data Empty) 6-23
TREL (TCS Transmitter Relative Timing) 6-20
TWL0-TWL1 (TCS Transmitter Word Length
Control) 6-18
TX0, TX1 and TX2 (SAI Transmit Data
Registers) 6-23
TXIE (TCS Transmitter Interrupt Enable) 6-21
TXIL (TCS Transmitter Interrupt Location) 6-22
Typical DSP56004/007 System Topology C-3

X

X Data Memory 1-15

Y

Y Data Memory 1-15