

# 56F8037

## Evaluation Module User Manual

**56F8000**  
**16-bit Digital Signal Controllers**

MC56F8037EVMUM  
Rev. 0  
09/2006

[freescale.com](http://freescale.com)



# TABLE OF CONTENTS

## Preface 1-vii

## Chapter 1 Introduction

1.1	56F8037EVM Architecture.....	1-1
1.2	56F8037EVM Connections.....	1-2
1.2.1	USB Power Connection.....	1-2
1.2.2	External +9.0V DC Power Connection.....	1-3
1.2.3	External +3.3V DC Power Connection.....	1-4

## Chapter 2 Technical Summary

2.1	56F8037.....	2-2
2.2	USB Serial Communications.....	2-2
2.3	Debug LEDs.....	2-3
2.4	Debug Support.....	2-4
2.5	External Interrupts.....	2-5
2.6	Reset.....	2-5
2.7	Power Supply.....	2-5
2.7.1	USB Power Source.....	2-6
2.7.2	External +9V DC Power Source.....	2-6
2.7.3	Daughter Card Power Source.....	2-6
2.8	Daughter Card Connector.....	2-7
2.9	Test Points.....	2-8

## Appendix A 56F8037EVM Schematics

## Appendix B 56F8037EVM Bill of Material



# LIST OF TABLES

2-1	SCI RxD Signal Options .....	2-2
2-2	SCI TxD Signal Options .....	2-3
2-3	LED Control .....	2-4
2-4	JTAG Connector .....	2-4
2-5	Power Source Selector .....	2-6
2-6	Daughter Card Connector Description .....	2-7



# LIST OF FIGURES

1-1	Block Diagram of the 56F8037EVM .....	1-2
1-2	56F8037EVM Cabling for USB Power .....	1-3
1-3	56F8037EVM Cabling for External +9V Power .....	1-4
1-4	56F8037EVM Cabling for External +3.3V Power .....	1-5
2-1	Diagram of the Debug LED Interface .....	2-3
2-2	Schematic Diagram of the User Interrupt Interface .....	2-5





# Preface

This manual describes the hardware on the 56F8037EVM in detail.

## Audience

This document is intended for application developers who are creating software for devices using the Freescale 56F8037 part or a member of the 56F8000 family that is compatible with this part.

## Organization

This manual is organized into two chapters and two appendices.

- [Chapter 1, Introduction](#), provides an overview of the Evaluation Module and its features.
- [Chapter 2, Technical Summary](#), describes the 56F8037EVM hardware in detail.
- [Appendix A, 56F8037EVM Schematics](#), contains the schematics of the 56F8037EVM.
- [Appendix B, 56F8037EVM Bill of Material](#), provides a list of the materials used on the 56F8037EVM.

## Suggested Reading

More documentation on the 56F8037EVM and the MC56F8037EVM kit may be found at URL:

**[www.freescale.com](http://www.freescale.com)**

## Notation Conventions

This manual uses the following notational conventions:

Term or Value	Symbol	Examples	Exceptions
Active High Signals (Logic One)	No special symbol attached to the signal name	A0 CLKO	
Active Low Signals (Logic Zero)	Noted with an overbar in text and in most figures	$\overline{WE}$ OE	In schematic drawings, Active Low Signals may be noted by a backslash: /WE
Hexadecimal Values	Begin with a "\$" symbol	\$0FF0 \$80	
Decimal Values	No special symbol attached to the number	10 34	
Binary Values	Begin with the letter "b" attached to the number	b1010 b0011	
Numbers	Considered positive unless specifically noted as a negative value	5 -10	Voltage is often shown as positive: +3.3V
Blue Text	Linkable on-line	...refer to <a href="#">Chapter 7, License</a>	
Bold	Reference sources, paths, emphasis	...see: <a href="http://www.freescale.com/">http://www.freescale.com/</a>	

## Definitions, Acronyms, and Abbreviations

Definitions, acronyms and abbreviations for terms used in this document are defined below for reference.

<b>56F8037</b>	Digital signal controller with motor control peripherals
<b>A/D</b>	Analog-to-Digital; a method of converting Analog signals to Digital values
<b>ADC</b>	Analog-to-Digital Converter; a peripheral on the 56F8037 part
<b>D/A</b>	Digital-to-Analog; a method of converting Digital values to Analog signals
<b>DAC</b>	Digital-to-Analog Converter; a peripheral on the 56F8037 part
<b>EOnCE</b>	Enhanced On-Chip Emulation; a debug bus and port which enables a designer to create a low-cost hardware interface for a professional-quality debug environment
<b>EVM</b>	Evaluation Module; a hardware platform which allows a customer to evaluate the silicon and develop his application
<b>GPIO</b>	General Purpose Input and Output port on Freescale's family of digital signal controllers; does not share pin functionality with any other peripheral on the chip and can only be set as an input, an output, or a level-sensitive interrupt input
<b>IC</b>	Integrated Circuit
<b>JTAG</b>	Joint Test Action Group; a bus protocol/interface used for test and debug
<b>LED</b>	Light Emitting Diode
<b>LQFP</b>	Low-profile Quad Flat Package
<b>OnCE™</b>	On-Chip Emulation, a debug bus and port created to allow a means for low-cost hardware to provide a professional-quality debug environment
<b>PCB</b>	Printed Circuit Board
<b>PWM</b>	Pulse Width Modulation
<b>SCI</b>	Serial Communications Interface; a peripheral on Freescale's family of digital signal controllers
<b>SPI</b>	Serial Peripheral Interface; a peripheral on Freescale's family of digital signal controllers

## References

The following sources were referenced to produce this manual:

- [1] *DSP56800E Reference Manual*, DSP56800ERM, Freescale Semiconductor, Inc.
- [2] *56F802X and 56F803X Peripheral Reference Manual*, MC56F80XXRM, Freescale Semiconductor, Inc.
- [3] *56F8037 Technical Data*, MC56F8037, Freescale Semiconductor, Inc.

# Chapter 1

## Introduction

The 56F8037EVM is used to demonstrate the abilities of the 56F8037 digital signal controller and to provide a hardware tool allowing the development of applications.

The 56F8037EVM is an evaluation module board that includes a 56F8037 part, USB interface, user LEDs, user pushbutton switches and a daughter card connector. The daughter card connector allows signal monitoring and expandability of user features.

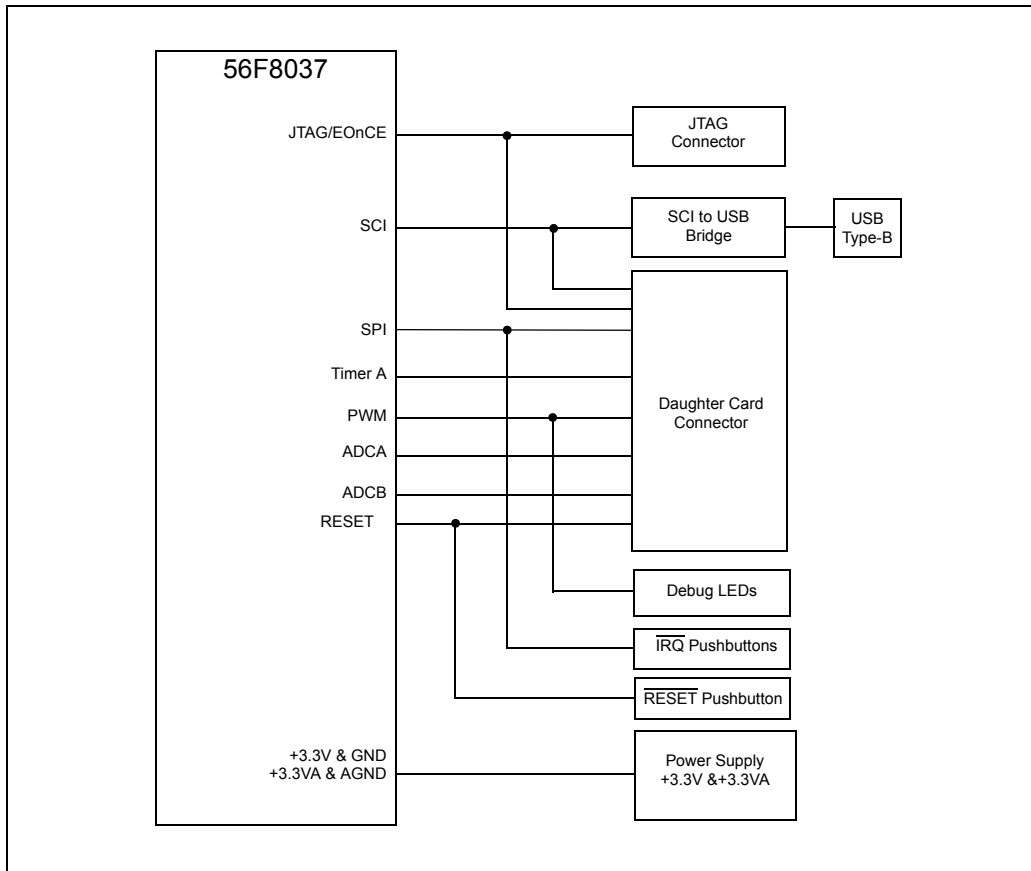
The 56F8037EVM is designed for the following purposes:

- Allowing new users to become familiar with the features of the 56800E architecture. The tools and examples provided with the 56F8037EVM facilitate evaluation of the feature set and the benefits of the family.
- Serving as a platform for real-time software development. The tool suite enables the user to develop and simulate routines, download the software to on-chip memory, run it, and debug it using a debugger via the JTAG/Enhanced OnCE (EOnCE) port. The breakpoint features of the EOnCE port enable the user to easily specify complex break conditions and to execute user-developed software at full speed until the break conditions are satisfied. The ability to examine and modify all user-accessible registers, memory and peripherals through the EOnCE port greatly facilitates the task of the developer.
- Serving as a platform for hardware development. The hardware platform enables the user to connect external hardware peripherals. The on-board peripherals can be disabled, providing the user with the ability to reassign any and all of the processor's peripherals. The EOnCE port's unobtrusive design means that all memory on the board and on the processor is available to the user.

### 1.1 56F8037EVM Architecture

The 56F8037EVM facilitates the evaluation of various features present in the 56F8037 part. The 56F8037EVM can be used to develop real-time software and hardware products. The 56F8037EVM provides the features necessary for a user to write and debug software,

demonstrate the functionality of that software and interface with the user's application-specific device(s). The 56F8037EVM is flexible enough to allow a user to fully exploit the 56F8037's features to optimize the performance of his product, as shown in [Figure 1-1](#).



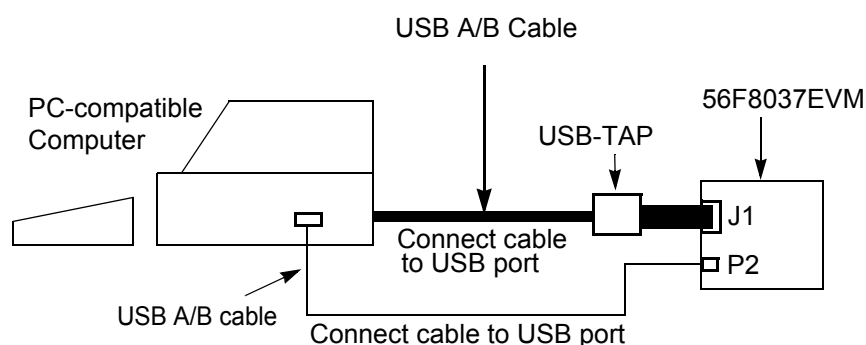
**Figure 1-1. Block Diagram of the 56F8037EVM**

## 1.2 56F8037EVM Connections

There are several power connection arrangements supported by the 56F8037EVM. Power can be provided to the 56F8037EVM by using a USB connector, P2, attached to a PC or USB hub. Power can be provided to the 56F8037EVM by an external +9.0V DC power supply using the 2.1mm power jack, P1, or via the Daughter Card connector, P3. However, the debug interconnect is always the same using the JTAG connector, J1.

### 1.2.1 USB Power Connection

An interconnection diagram is shown in [Figure 1-2](#) for connecting the JTAG Debug and USB between a PC and the 56F8037EVM.



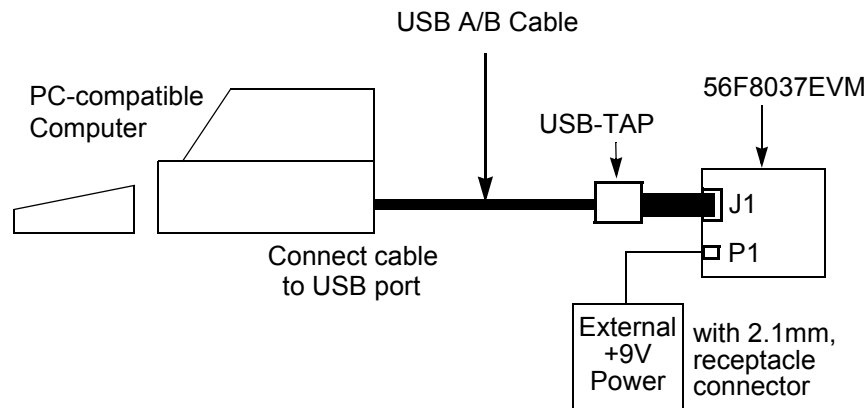
**Figure 1-2. 56F8037EVM Cabling for USB Power**

Perform the following steps for USB power connection:

1. Connect the USB-TAP's USB cable to a USB port on the host computer.
2. Connect the other end of the USB-TAP cable to the USB-TAP module. Connect the ribbon cable from the USB-TAP module to J1 on the 56F8037EVM, shown in [Figure 1-2](#). This provides the connection which allows the host computer to control the debug functions on the 56F8037EVM board.
3. Connect the second USB cable to another USB port on the host computer or a USB hub.
4. Connect the other end of the second USB cable to the USB connector, P2, on the 56F8037EVM board, shown in [Figure 1-2](#). The green Power-ON LED, LED7, will illuminate when power is correctly applied.

### 1.2.2 External +9.0V DC Power Connection

An interconnection diagram is shown in [Figure 1-3](#) for connecting the PC and a user-supplied external +9.0V DC power supply to the 56F8037EVM.



**Figure 1-3. 56F8037EVM Cabling for External +9V Power**

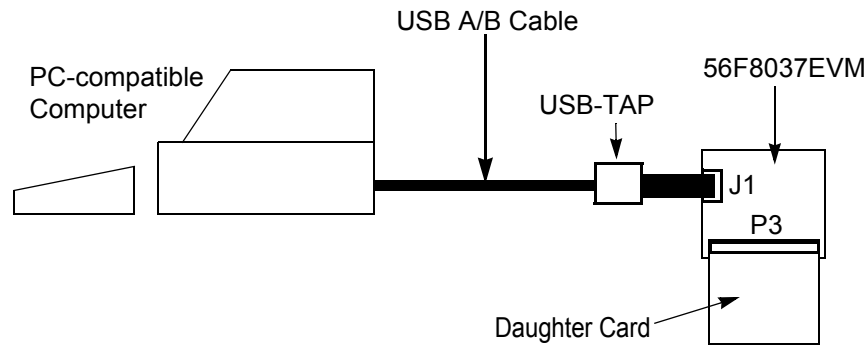
Perform the following steps for +9.0V DC power connection:

1. Connect the USB-TAP's USB cable to a USB port on the host computer.
2. Connect the other end of the USB-TAP cable to the USB-TAP module. Connect the ribbon cable from the USB-TAP module to J1 on the 56F8037EVM, shown in [Figure 1-3](#). This provides the connection which allows the host computer to control the board.
3. Make sure that the external +9V DC, 450mA power supply is not plugged into any AC power source.
4. Connect the 2.1mm output power plug from the external power supply into P1 on the 56F8037EVM, shown in [Figure 1-3](#).
5. Apply power to the external power supply. The green Power-ON LED, LED7, will illuminate when power is correctly applied.

### 1.2.3 External +3.3V DC Power Connection

An interconnection diagram is shown in [Figure 1-4](#) for connecting the PC and a user-supplied Daughter Card providing +3.3V DC to the 56F8037EVM.





**Figure 1-4. 56F8037EVM Cabling for External +3.3V Power**

Perform the following steps to provide +3.3V DC power from a Daughter Card:

1. Connect the USB-TAP's USB cable to a USB port on the host computer.
2. Connect the other end of the USB-TAP cable to the USB-TAP module. Connect the ribbon cable from the USB-TAP module to J1 on the 56F8037EVM, shown in [Figure 1-4](#). This provides the connection which allows the host computer to control the board.
3. Make sure the power supply on the Daughter Card is turned OFF.
4. Connect the Daughter Card to P3 on the 56F8037EVM, shown in [Figure 1-4](#).
5. Apply power to the Daughter Card. The green Power-ON LED, LED7, will illuminate when power is correctly applied.



## Chapter 2

# Technical Summary

The 56F8037EVM is designed as a versatile development card using the 56F8037 processor, allowing the creation of real-time software and hardware products to support a new generation of applications in servo and motor control, digital and wireless messaging, digital answering machines, feature phones, modems, and digital cameras. The power of the 16-bit 56F8037 processor, combined with the on-board USB interface and daughter card connector, makes the 56F8037EVM ideal for developing and implementing many motor control algorithms, as well as for learning the architecture and instruction set of the 56F8037 processor.

The main features of the 56F8037EVM, with board and schematic reference designators, include:

- 56F8037, a 16-bit +3.3V digital signal controller operating at 60MHz [U1]
- Joint Test Action Group (JTAG) port interface connector, for an external debug Host Target Interface [J1]
- USB interface, for easy connection to a host processor [U2 and P2]
- Daughter Card connector, to allow the user to connect his own PWM, ADC, DAC, SCI, SPI or GPIO-compatible peripheral to the digital signal controller [P3]
- On-board power regulation provided from an external +9V DC-supplied power input [P1]
- Light Emitting Diode (LED) power indicator [LED7]
- Six on-board real-time user debugging LEDs [LED1-6]
- Manual RESET pushbutton [S1]
- Manual interrupt #1 pushbutton [S2]
- Manual interrupt #2 pushbutton [S3]

## 2.1 56F8037

The 56F8037EVM uses a Freescale 56F8037 part, designated as U1 on the board and in the schematics. This part will operate at a maximum external bus speed of 60MHz. A full description of the 56F8037, including functionality and user information, is provided in these documents:

- *56F8037 Technical Data Sheet, (MC56F8037)*: Electrical and timing specifications, pin descriptions, device specific peripheral information and package descriptions
- *56F802X and 56F803X Peripheral Reference Manual, (MC56F80XXRM)*: Detailed description of peripherals of the 56F802x and 56F803x devices
- *DSP56800E Reference Manual, (DSP56800ERM)*: Detailed description of the 56800E family architecture, 16-bit core processor, and the instruction set

Refer to these documents for detailed information about chip functionality and operation. They can be found on this URL:

[www.freescale.com](http://www.freescale.com)

## 2.2 USB Serial Communications

The 56F8037EVM provides an RS-232 to USB bridge interface by the use of an USB bridge part, Silicon Labs CP2102, designated as U2. Refer to the USB schematic details in [Appendix A](#). The USB bridge handles all the USB 2.0 protocol interactions and transitions the SCI port's +3.3V signal levels to USB-compatible signal levels and connects to the host's USB port via connector P2. The SCI ports signals, GPIOB6 and GPIOB7, or GPIOC12 and GPIOC8, can be disconnected from the USB bridge by pulling the jumpers at JG3, RxD, and JG4, TxD, on the board. The jumper options available on JG3 and JG4 for the SCI port are shown in [Table 2-1](#) and [Table 2-2](#).

**Table 2-1. SCI RxD Signal Options**

JG3		
Pin #	Signal	Description
1	GPIO Port B, Bit 6	RXD0
2	RxD	From CP2102
3	GPIO Port C, Bit 12	RXD1

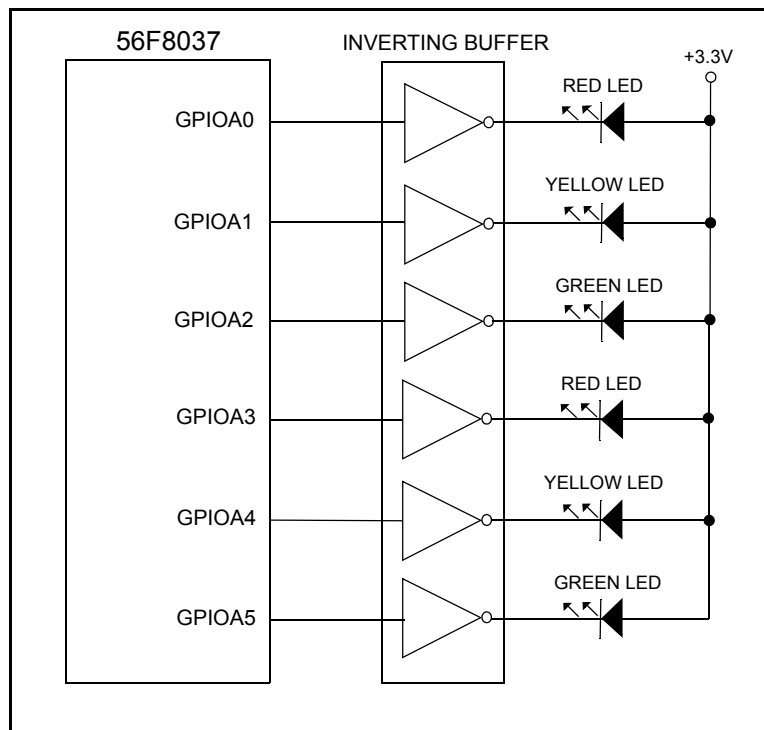
**Table 2-2. SCI TxD Signal Options**

JG4		
Pin #	Signal	Description
1	GPIO Port B, Bit 7	TXD0
2	TxD	To CP2102
3	GPIO Port C, Bit 8	TXD1

## 2.3 Debug LEDs

Six on-board Light-Emitting Diodes, (LEDs), are provided to allow real-time debugging for user programs. These LEDs will allow the programmer to monitor program execution without having to stop the program during debugging; refer to [Figure 2-1](#). [Table 2-3](#) describes the control of each LED.

Setting GPIOA0, GPIOA1, GPIOA2, GPIOA3, GPIOA4, or GPIOA5 to a Logic One value will turn on the associated LED.


**Figure 2-1. Diagram of the Debug LED Interface**

**Table 2-3. LED Control**

User LED	Controlled by	
	Color	Signal
LED1	RED	GPIO Port A, Bit 0
LED2	YELLOW	GPIO Port A, Bit 1
LED3	GREEN	GPIO Port A, Bit 2
LED4	RED	GPIO Port A, Bit 3
LED5	YELLOW	GPIO Port A, Bit 4
LED6	GREEN	GPIO Port A, Bit 5

## 2.4 Debug Support

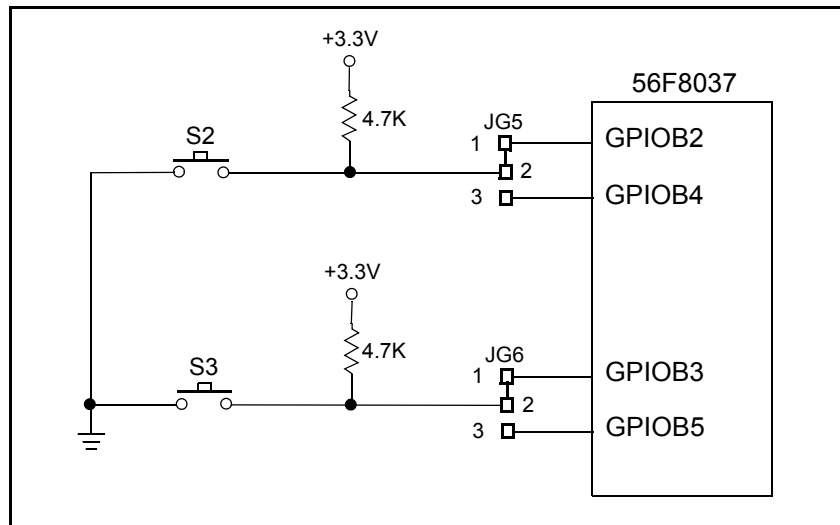
A JTAG connector, J1, on the 56F8037EVM allows the connection of an external Host Target Interface for downloading programs and working with the 56F8037's registers. This connector is used to communicate with an external Host Target Interface, which passes information and data back and forth with a host processor running a debugger program. [Table 2-4](#) shows the pin-out for this connector.

**Table 2-4. JTAG Connector**

J1			
Pin #	Signal	Pin #	Description
1	TDI	2	GND
3	TDO	4	GND
5	TCK	6	GND
7	N/C	8	KEY
9	$\overline{\text{RESET}}$	10	TMS
11	+3.3V DC	12	N/C
13	N/C	14	N/C

## 2.5 External Interrupts

Two on-board pushbutton switches are provided for external interrupt generation, as shown in [Figure 2-2](#). S2 allows the user to generate a hardware interrupt, IRQ #1, using GPIO Port B, Bit 2. S3 allows the user to generate a hardware interrupt, IRQ #2, using GPIO Port B, Bit 3. These two switches allow the user to generate interrupts for their user-specific programs. Alternately, the user can use GPIO Port B, Bit 4, for IRQ #1. To accomplish this, remove the jumper at JP5, pins 1 and 2, and place the jumper between JP5 pins 2 and 3. Also, the user can use GPIO Port B, Bit 5, for IRQ #2. To accomplish this, remove the jumper at JP6, pins 1 and 2, and place the jumper between JP6 pins 2 and 3.



**Figure 2-2. Schematic Diagram of the User Interrupt Interface**

## 2.6 Reset

Logic is provided on the 56F8037 to generate an internal Power-On RESET. Additional reset logic is provided to support the RESET signal from the JTAG connector and the user RESET pushbutton, S1; refer to the schematics in [Appendix A](#).

## 2.7 Power Supply

The 56F8037EVM supports the option of power being provided from three different sources. Since only one power supply source can be active at one time, the selection of the active power supply source is made by the jumper group formed by JG1 and JG2. [Table 2-5](#) depicts the jumper options for selecting each power supply source. Jumpering JG2, pins 2 and 3, the default selection, selects the USB power supply source. Jumpering JG2, pins 1 and 2, selects the external power supply source. Jumpering JG1 to JG2, pin 2, uses the Daughter Card power source.

**Table 2-5. Power Source Selector**

JG1		JG2	
Pin #	Description	Pin #	Description
		1	External Power Supply Source
1	Daughter Card Source	2	Power to 56F8037EVM
		3	USB Power Supply Source

### 2.7.1 USB Power Source

The main power source for the 56F8037EVM is through the USB connector, P2. This +5.0V USB bus input power goes to the USB bridge device which creates a regulated +3.3V output voltage. The USB bus power input is restricted to 450mA maximum for a high power device. However, the USB bridge regulator output is limited to 350mA. This +3.3V DC voltage regulation is used by the 56F8037 processor, ADC, LEDs, JTAG interface and supporting logic; refer to schematics in [Appendix A](#). When power is applied to the 56F8037EVM board, the Power-ON LED, referenced as LED7, will illuminate.

### 2.7.2 External +9V DC Power Source

The optional external +9V DC power input to the 56F8037EVM is through the 2.1mm coax power jack, P1. This input power passes through a reverse power-blocking diode to provide a DC supply input for the +3.3V voltage regulator, U4, and the +5.0V voltage regulator, U5. A 450mA external power supply is sufficient to power the 56F8037EVM. However, less than 300mA is required by the 56F8037EVM board. The remaining current is available for custom control applications when connected to the Daughter Card connector. The 56F8037EVM provides +5.0V DC regulation for the CAN transceiver and, +3.3V DC voltage regulation for the processor, ADC, JTAG interface and supporting logic; refer to schematics in [Appendix A](#). When power is applied to the 56F8037EVM board, the Power-ON LED, referenced as LED7, will illuminate.

### 2.7.3 Daughter Card Power Source

The optional Daughter Card power input to the 56F8037EVM is through the Daughter Card connector, P3. Regulated +3.3V voltage is provided on P3, pin 1. The Daughter Card power supply ground reference is provided on P3, pin 3. At least 300mA should be provided to power the 56F8037EVM board. This input +3.3V DC voltage will power the processor, ADC, DAC, LEDs, JTAG interface and supporting logic; refer to schematics in [Appendix A](#). When power is applied to the 56F8037EVM board, the Power-ON LED, referenced as LED7, will illuminate.



## 2.8 Daughter Card Connector

The 56F8037EVM contains a Daughter Card connector, P3, which contains the processor's peripheral port signals. The daughter card connector is used to connect a Daughter Card or a user-specific Daughter Card to the processor's peripheral port signals. The Daughter Card connector is a 60-pin 0.1" pitch connector with signals for RESET, SPI, SCI, PWM, ADC, DAC and GPIO ports. [Table 2-6](#) shows the Daughter Card connector's signal-to-pin assignments.

**Table 2-6. Daughter Card Connector Description**

P3			
Pin #	Signal	Pin #	Signal
1	+3.3V	2	GPIOA10 / CINA2 / TB2
3	GND	4	GPIOA7 / $\overline{\text{RESET}}$ / V <sub>PP</sub>
5	GPIOB7 / TXD0 / SCL	6	GPIOD4 / EXTAL
7	GPIOB6 / RXD0 / SDA / CLKIN	8	GPIOD5 / XTAL / CLKIN
9	GPIOA0 / PWM0	10	GPIOC0 / ANA0 / CINA3
11	GPIOA1 / PWM1	12	GPIOC1 / ANA1
13	GPIOB4 / TA0 / CLKO / SS1 / TB0 / SCR2	14	GPIOC2 / ANA2 / V <sub>REFH</sub>
15	GPIOB5 / TA1 / FAULT3 / CLKIN	16	GPIOC3 / ANA3 / V <sub>REFL</sub>
17	GPIOB3 / MOSI0 / T3 / PSRC1	18	GPIOC4 / ANB0 / CINB3
19	GPIOB2 / MISO0 / TA2 / PSRC0	20	GPIOC5 / ANB1
21	GPIOB0 / SCLK0 / SCL	22	GPIOC6 / ANB2 / V <sub>REFH</sub>
23	GPIOB1 / $\overline{\text{SS0}}$ / SDA	24	GPIOC7 / ANB3 / V <sub>REFL</sub>
25	GPIOD0 / TDI	26	GPIOB1 / $\overline{\text{SS0}}$ / SDA
27	GPIOD1 / TDO	28	GPIOB0 / SCLK0 / SCL
29	GPIOD2 / TCK	30	GPIOA2 / PWM2
31	GPIOD3 / TMS	32	GPIOA3 / PWM3
33	GPIOA6 / FAULT0 / TA0	34	GPIOA4 / PWM4
35	GPIOA11 / CINB2 / TB3	36	GPIOA5 / PWM5
37	GPIOA12 / TB1 / SCLK1 / TA1	38	CINA1 / FAULT1 / TA2
39	GPIOA13 / TB2 / MISO1 / TA2	40	FAULT2 / TA3 / CINB1

**Table 2-6. Daughter Card Connector Description (Continued)**

P3			
Pin #	Signal	Pin #	Signal
41	GPIOA14 / TB3 / MOSI1 / TA3	42	N/C
43	GPIOB8 / SCL / CANTX	44	GPIOC8 / ANA4 / TXD1
45	GPIOB9 / SDA / CANRX	46	GPIOC9 / ANA5
47	GPIOB10 / COUTA / TB0	48	GPIOC10 / ANA6
49	GPIOB11 / COUTB / TB1	50	GPIOC11 / ANA7
51	GPIOB12 / CANTX	52	GPIOC12 / ANB4 / RXD1
53	GPIOB13 / CANRX	54	GPIOC13 / ANB5
55	N/C	56	GPIOC14 / ANB6
57	GPIOD6 / DAC0	58	GPIOC15 / ANB7
59	GPIOD7 / DAC1	60	GND

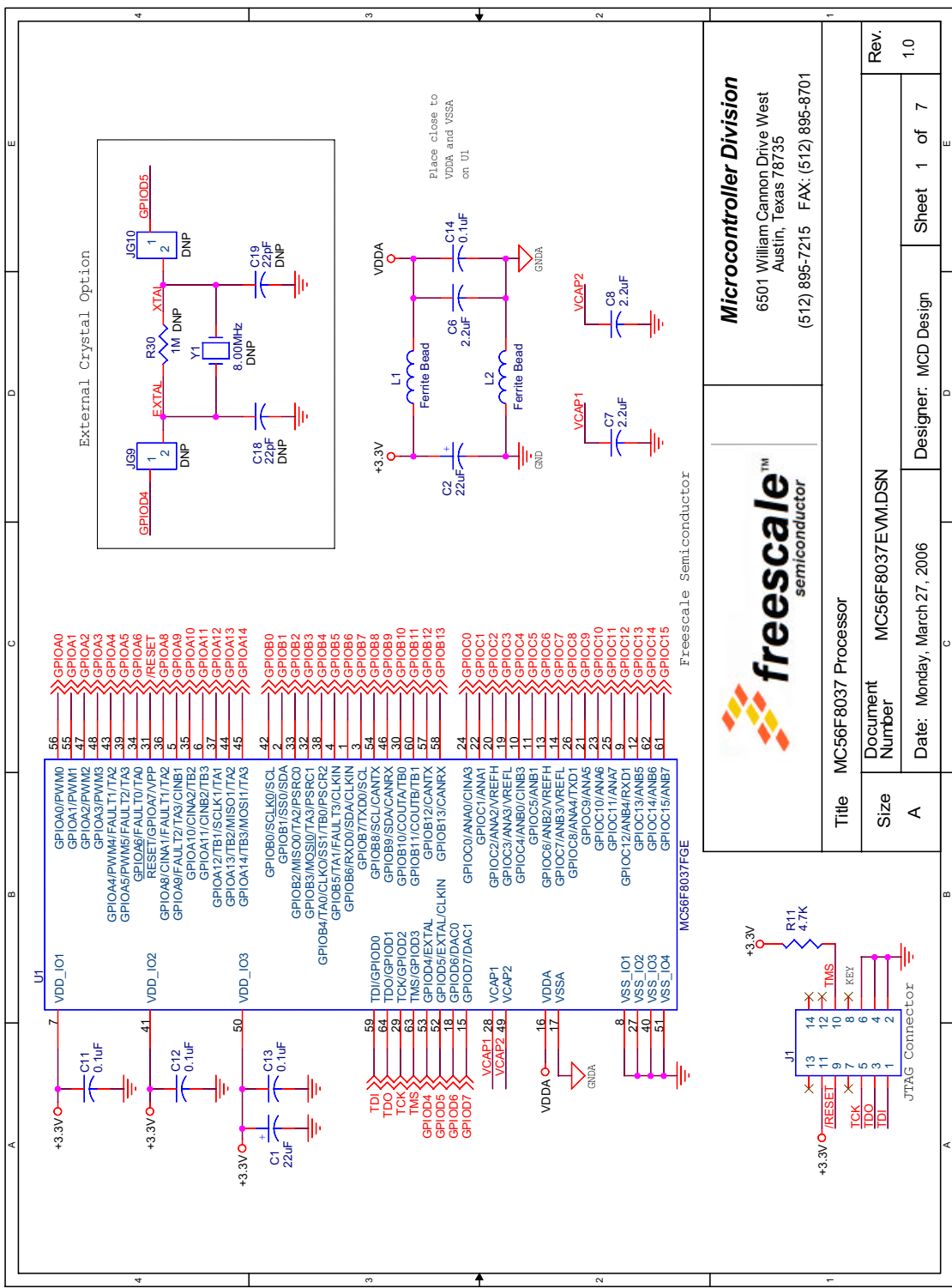
## 2.9 Test Points

The 56F8037EVM board has two test points:

- +3.3V, TP1
- Digital Ground (GND), TP2

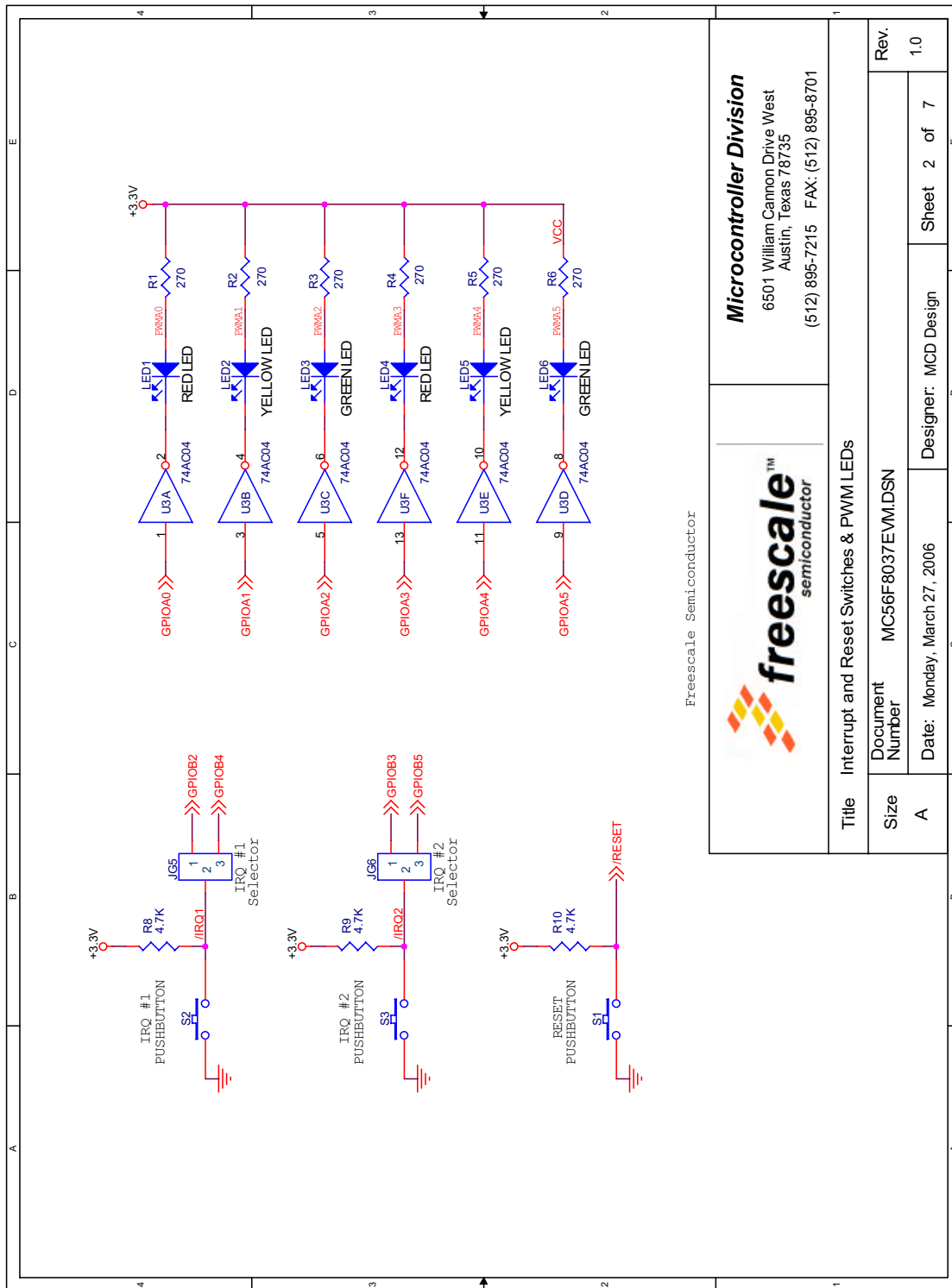
# Appendix A

## 56F8037EVM Schematics



		<b>Microcontroller Division</b> 6501 William Cannon Drive West Austin, Texas 78735 (512) 895-7215 FAX: (512) 895-8701	
Title MC56F8037 Processor		Rev. 1.0	
Document Number MC56F8037EVM.DSN		Designer: MCD Design	
Date: Monday, March 27, 2006		Sheet 1 of 7	

Figure A-1. MC56F8037 Processor

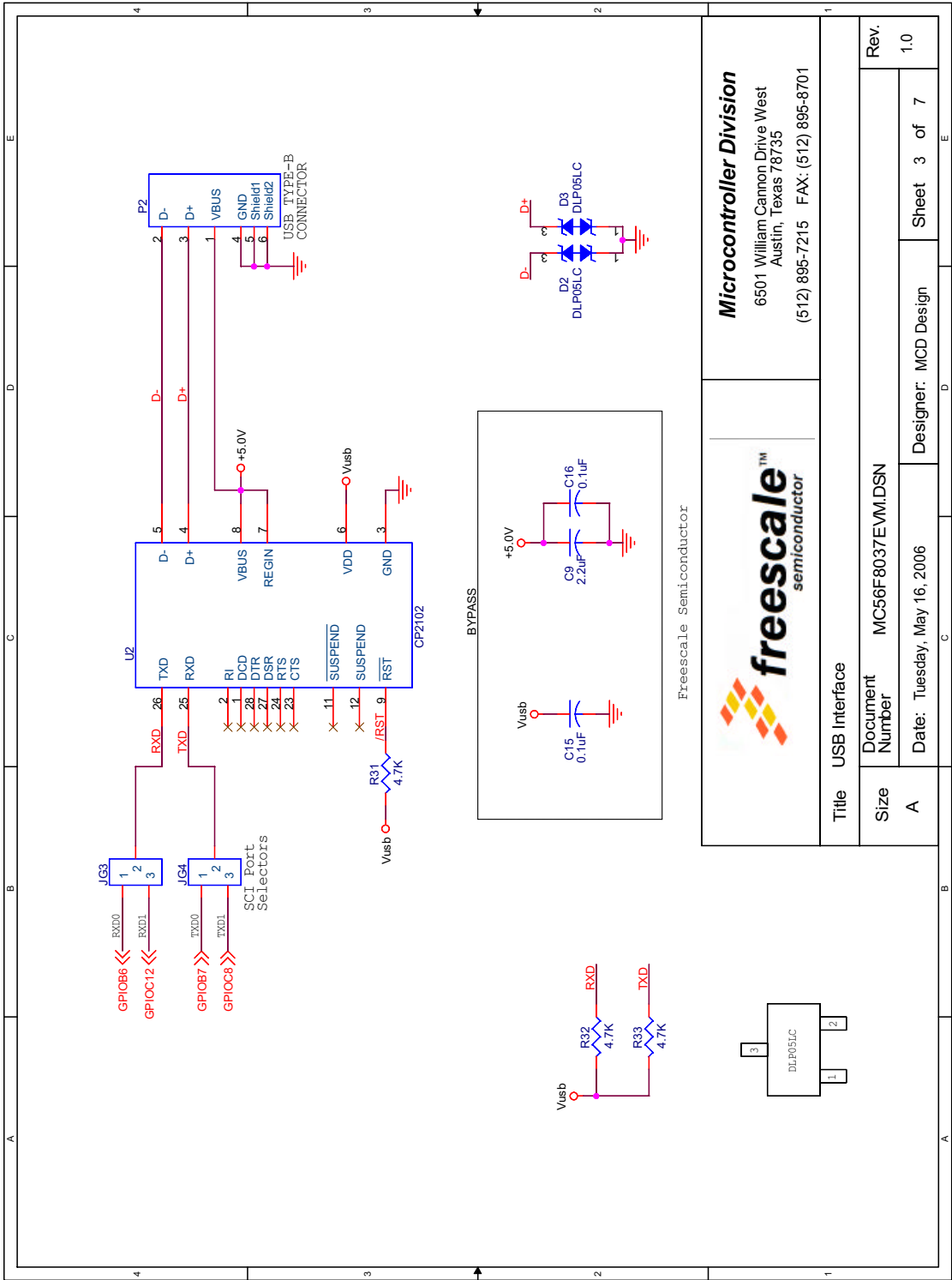


**Microcontroller Division**  
 6501 William Cannon Drive West  
 Austin, Texas 78735  
 (512) 895-7215 FAX: (512) 895-8701



Title		Interrupt and Reset Switches & PWM LEDs	
Size	A	Document Number	MC56F8037EVM.DSN
Rev.	1.0	Date:	Monday, March 27, 2006
		Designer:	MCD Design
		Sheet	2 of 7

**Figure A-2. Interrupt and Reset Switches and PWM LEDs**

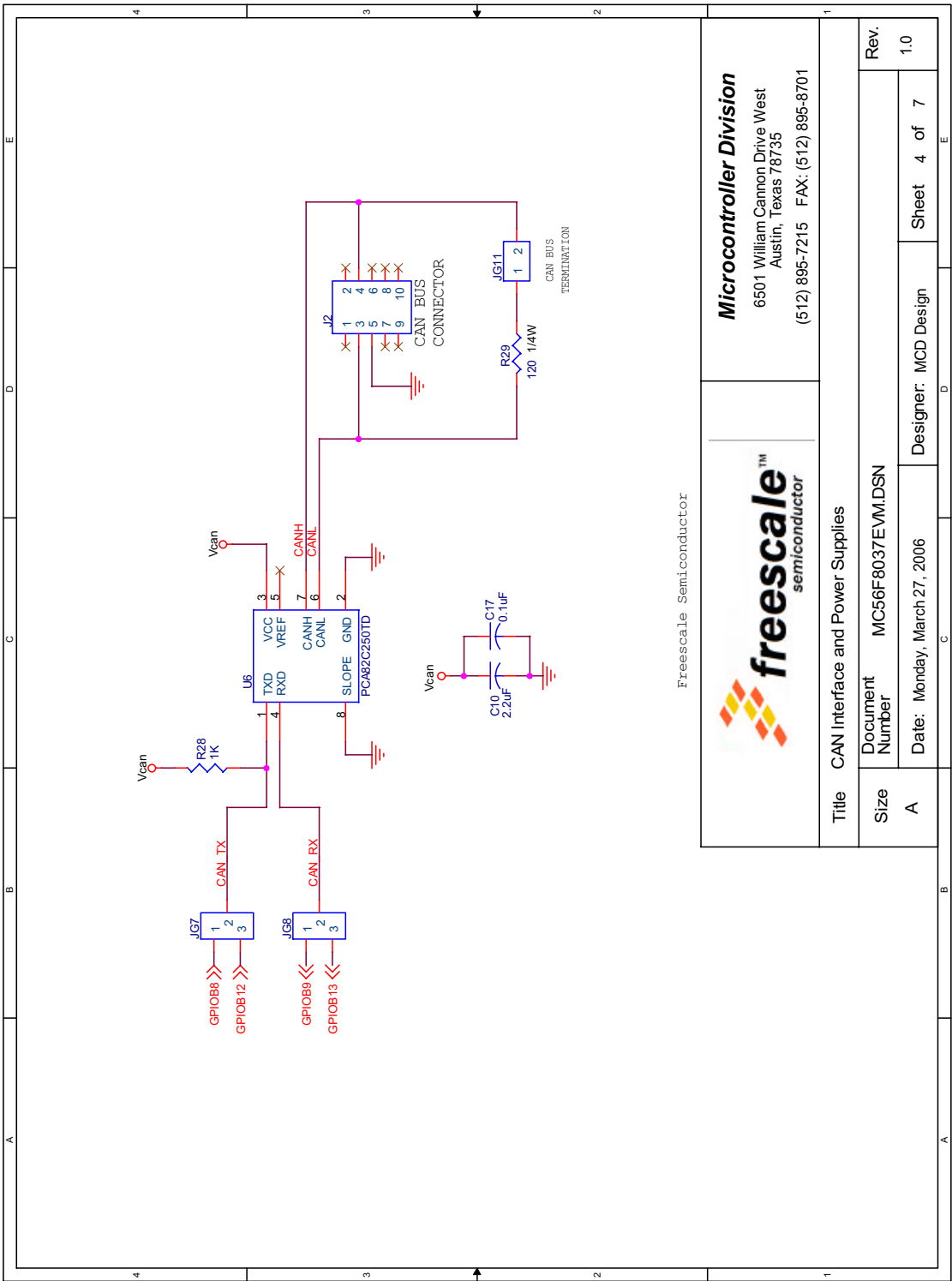


**freescale**  
semiconductor

**Microcontroller Division**  
6501 William Cannon Drive West  
Austin, Texas 78735  
(512) 895-7215 FAX: (512) 895-8701

Title: USB Interface	
Size: A	Document Number: MC56F8037EVM.DSN
Date: Tuesday, May 16, 2006	Designer: MCD Design
Rev. 1.0	

**Figure A-3. USB Interface**



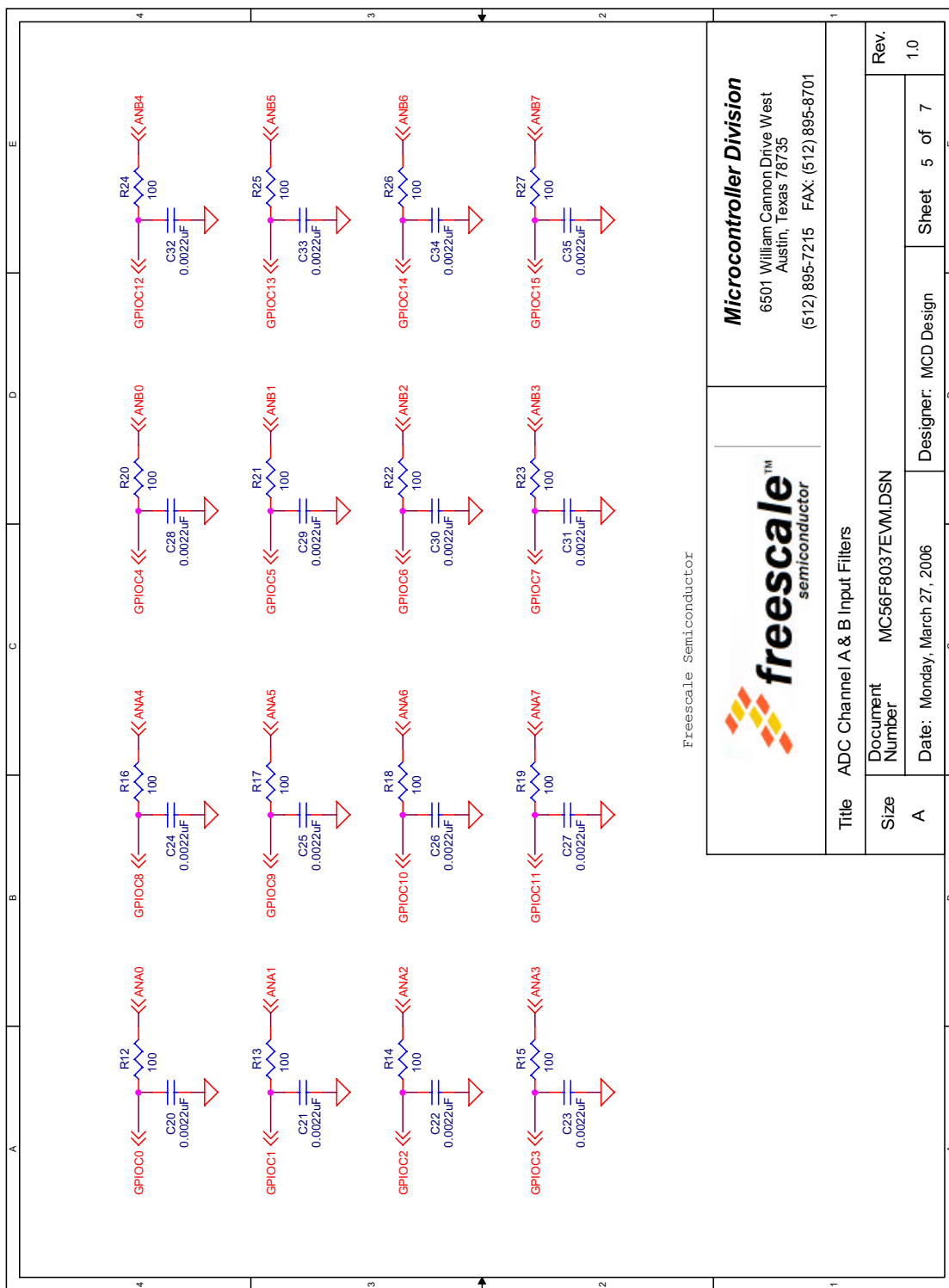
Freescale Semiconductor

**Microcontroller Division**  
 6501 William Cannon Drive West  
 Austin, Texas 78735  
 (512) 895-7215 FAX: (512) 895-8701



Title		CAN Interface and Power Supplies	
Size	Document Number	MC56F8037EVM.DSN	
A	Date:	Monday, March 27, 2006	Designer: MCD Design
Rev.		1.0	
Sheet		4 of 7	

**Figure A-4. CAN Interface and Power Supplies**



Freescale Semiconductor



**Microcontroller Division**  
 6501 William Cannon Drive West  
 Austin, Texas 78735  
 (512) 895-7215 FAX: (512) 895-8701

Title		ADC Channel A & B Input Filters	
Size	Document Number	MC56F8037EVM.DSN	
A	Date:	Monday, March 27, 2006	Designer: MCD Design
		Sheet	5 of 7
		Rev. 1.0	

**Figure A-5. ADC Channel A and B Input Filters**





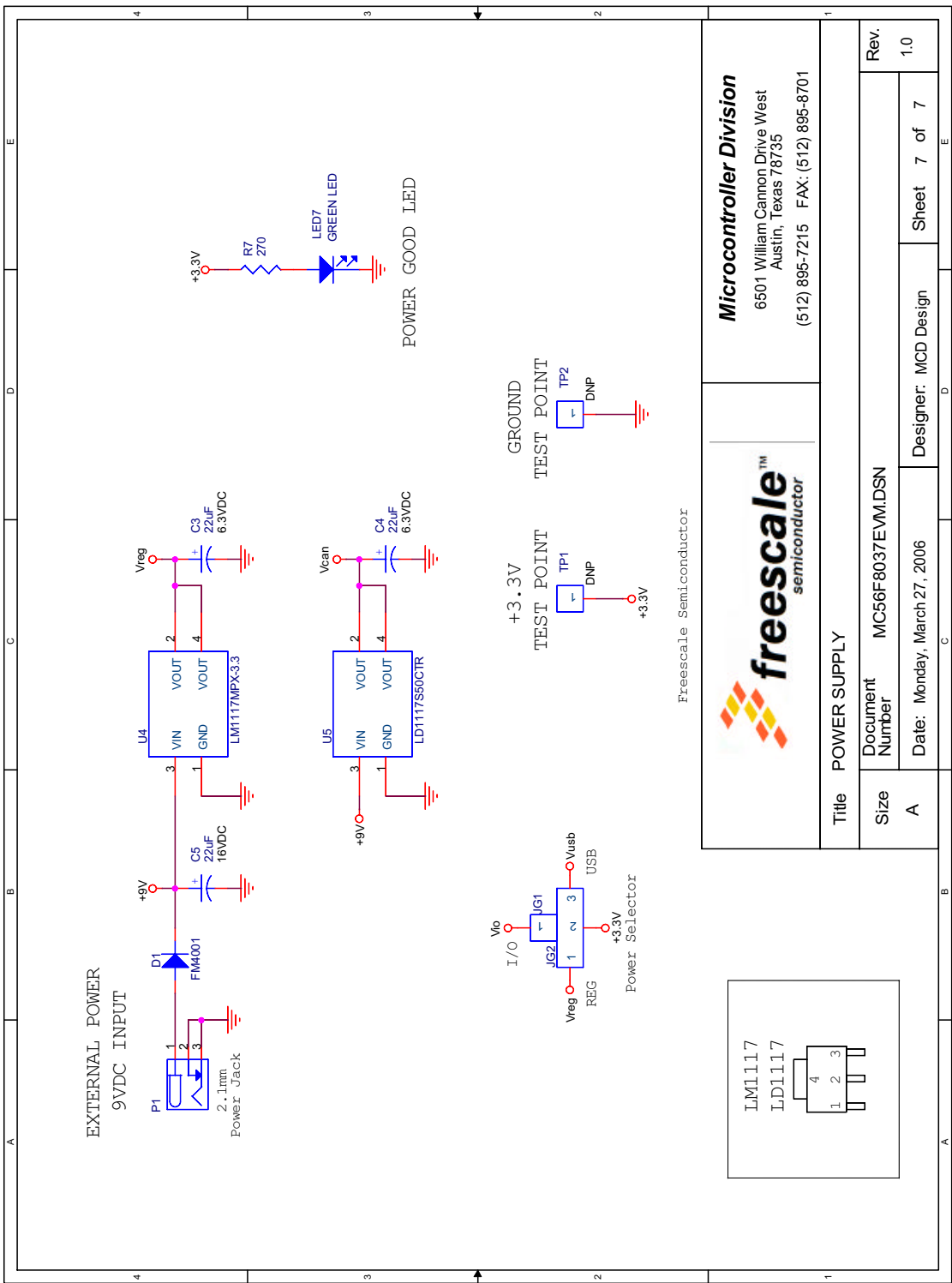


Figure A-7. Power Supply

# Appendix B

## 56F8037EVM

### Bill of Material

Qty	Description	Ref. Designators	Vendor Part #
<b>Integrated Circuits</b>			
1	MC56F8037	U1	Freescale, MC56F8037VFBE
1	SCI to USB Bridge	U2	Silicon Lab, CP2102-GM
1	74AC04	U3	ON Semiconductor, MC74AC04DG
1	+3.3V Voltage Regulator	U4	National Semiconductor, LM1117MPX-3.3/NOPB
1	+5.0V Voltage Regulator	U5	STMicroelectronics, LD1117S50CTR
1	CAN Transceiver	U6	Philips Semiconductor, PCA82C250TD
<b>Resistors</b>			
7	270 $\Omega$ , 0603	R1—R7	SMEC, RC73L2X271JTF
7	4.7 K $\Omega$ , 0603	R8-R11, R31-R33	SMEC, RC73L2X472JTF
16	100 $\Omega$ , 0603	R12—R27	SMEC, RC73L2X101JTF
1	1K $\Omega$ , 0603	R28	SMEC, RC73L2X102JTF
1	120 $\Omega$ , 1/4W	R29	YAGEO, CFR-25JB-120R
0	1.0M $\Omega$ , 0603	R30 (Optional)	SMEC, RC73L2X105JTF
<b>Inductors</b>			
2	Ferrite Bead, 0603	L1—L2	SMEC, FCB0603-1000HNTF
<b>LEDs</b>			
2	Red LED, 0805	LED1, LED4	Lite-ON, LTST-C171CKT
2	Yellow LED, 0805	LED2, LED5	Lite-ON, LTST-C171YKT
3	Green LED, 0805	LED3, LED6, LED7	Lite-ON, LTST-C171GKT

Qty	Description	Ref. Designators	Vendor Part #
<b>Diode</b>			
1	1N4003, SMA	D1	ON Semiconductor, MRA4003T3G
2	TVS, SOT-23	D2, D3	Diodes Electronics, DLP05LC-7-F
<b>Capacitors</b>			
4	22 $\mu$ F, +6.3V DC, EIA-A	C1—C4	SMEC, ESR900-22K6.3AF
1	22 $\mu$ F, +16V DC, EIA-B	C5	SMEC, ESR600-22K16BF
5	2.2 $\mu$ F, 0805	C6—C10	SMEC, MCCB225M2NRTF
7	0.1 $\mu$ F, 0603	C11—C17	SMEC, MCCA104K1NRTF
2	22pF, 0603	C18 , C19 (Optional)	SMEC, MCCA220K1NRTF
16	0.0022 $\mu$ F, 0603	C20—C35	SMEC, MCCA222K1NRTF
<b>Test Points</b>			
0	+3.3V Test Point	TP1 (Optional)	KEYSTONE, 5000, RED
0	GND Test Point	TP2 (Optional)	KEYSTONE, 5001, BLACK
<b>Connectors</b>			
1	2.1mm Power Jack	P1	CUI, PJ-102A
1	USB Type-B Connector	P2	MOLEX, 67068-8000
1	Daughter Card Connector	P3	SAMTEC, SSM-130-L-DV-LC
1	1x1 Header	JG1	SAMTEC, TSW-101-07-G-S
7	3x1 Header	JG2—JG8	SAMTEC, TSW-103-07-G-S
2	2x1 Header	JG9, JG10 (Optional)	SAMTEC, TSW-102-07-G-S
1	2x1 Header	JG11	SAMTEC, TSW-102-07-G-S
1	7x2 JTAG Header	J1	SAMTEC, TSW-107-07-G-D
1	5x2 Header	J2	SAMTEC, TSW-105-07-G-D
1	2x2 Header	J3	SAMTEC, TSW-102-07-G-D
<b>Switches</b>			
3	SPST Pushbutton	S1—S3	OMRON, B3F-1022

Qty	Description	Ref. Designators	Vendor Part #
<b>Crystals</b>			
1	8.000MHz Crystal	Y1 (Optional)	CITIZEN CRYSTAL, HCM49-8.000MABJ-UT
<b>Miscellaneous</b>			
2	Rubber Feet, 0.4"		3M, SJ-5007 (BLACK)
8	0.1" Shunt Jumpers		SULLINS, SPC02SYAN



# INDEX

## Numerics

450mA power supply [6](#)  
 56F8000 Peripheral Reference Manual [x, 2](#)  
 56F8013 [ix](#)  
 56F8013 Technical Data [x](#)  
 56F8013 Technical Data Sheet [2](#)

## A

A/D [ix](#)  
 ADC [ix](#)  
 Analog-to-Digital  
   A/D [ix](#)  
 Analog-to-Digital Converter  
   ADC [ix](#)

## D

Daughter Card Expansion  
   interface [1](#)  
 Debugging [3](#)  
 Demo Board [ix](#)  
 Demonstration Board  
   Demo Board [ix](#)  
 Digital Signal Controller  
   DSC [ix](#)  
 DSC [ix](#)  
 DSP56800E Reference Manual [x, 2](#)

## E

Enhanced On-Chip Emulation  
   EOnCE [ix](#)  
 EOnCE [ix](#)

## G

General Purpose Input and Output  
   GPIO [ix](#)  
 GPIO [ix](#)

## I

IC [ix](#)  
 Integrated Circuit  
   IC [ix](#)

## J

Joint Test Action Group  
   JTAG [ix](#)  
 JTAG [ix](#)  
 JTAG/Enhanced OnCE (EOnCE) [1](#)

## L

LED [ix](#)  
 Light Emitting Diode  
   LED [ix](#)  
 Low-profile Quad Flat Package  
   LQFP [ix](#)  
 LQFP [ix](#)

## O

On-board power regulation [1](#)  
 OnCE [ix](#)  
 On-Chip Emulation  
   OnCE [ix](#)

## P

PCB [ix](#)  
 peripheral port signals [7](#)  
 Printed Circuit Board  
   PCB [ix](#)  
 Pulse Width Modulation  
   PWM [ix](#)  
 PWM [ix](#)

## R

real-time debugging [3](#)  
 RS-232  
   level converter [2](#)  
   schematic diagram [2](#)

## S

SCI [ix](#)  
 Serial Communications Interface  
   SCI [ix](#)  
 Serial Peripheral Interface  
   SPI [ix](#)  
 SPI [ix](#)



## **How to Reach Us:**

### **Home Page:**

www.freescale.com

### **E-mail:**

support@freescale.com

### **USA/Europe or Locations Not Listed:**

Freescale Semiconductor  
Technical Information Center, CH370  
1300 N. Alma School Road  
Chandler, Arizona 85224  
+1-800-521-6274 or +1-480-768-2130  
support@freescale.com

### **Europe, Middle East, and Africa:**

Freescale Halbleiter Deutschland GmbH  
Technical Information Center  
Schatzbogen 7  
81829 Muenchen, Germany  
+44 1296 380 456 (English)  
+46 8 52200080 (English)  
+49 89 92103 559 (German)  
+33 1 69 35 48 48 (French)  
support@freescale.com

### **Japan:**

Freescale Semiconductor Japan Ltd.  
Headquarters  
ARCO Tower 15F  
1-8-1, Shimo-Meguro, Meguro-ku,  
Tokyo 153-0064, Japan  
0120 191014 or +81 3 5437 9125  
support.japan@freescale.com

### **Asia/Pacific:**

Freescale Semiconductor Hong Kong Ltd.  
Technical Information Center  
2 Dai King Street  
Tai Po Industrial Estate  
Tai Po, N.T., Hong Kong  
+800 2666 8080  
support.asia@freescale.com

### **For Literature Requests Only:**

Freescale Semiconductor Literature Distribution Center  
P.O. Box 5405  
Denver, Colorado 80217  
1-800-441-2447 or 303-675-2140  
Fax: 303-675-2150  
LDCForFreescaleSemiconductor@hibbertgroup.com

RoHS-compliant and/or Pb-free versions of Freescale products have the functionality and electrical characteristics of their non-RoHS-compliant and/or non-Pb-free counterparts. For further information, see <http://www.freescale.com> or contact your Freescale sales representative.

For information on Freescale's Environmental Products program, go to <http://www.freescale.com/epp>.

Information in this document is provided solely to enable system and software implementers to use Freescale Semiconductor products. There are no express or implied copyright licenses granted hereunder to design or fabricate any integrated circuits or integrated circuits based on the information in this document.

Freescale Semiconductor reserves the right to make changes without further notice to any products herein. Freescale Semiconductor makes no warranty, representation or guarantee regarding the suitability of its products for any particular purpose, nor does Freescale Semiconductor assume any liability arising out of the application or use of any product or circuit, and specifically disclaims any and all liability, including without limitation consequential or incidental damages. "Typical" parameters that may be provided in Freescale Semiconductor data sheets and/or specifications can and do vary in different applications and actual performance may vary over time. All operating parameters, including "Typicals", must be validated for each customer application by customer's technical experts. Freescale Semiconductor does not convey any license under its patent rights nor the rights of others. Freescale Semiconductor products are not designed, intended, or authorized for use as components in systems intended for surgical implant into the body, or other applications intended to support or sustain life, or for any other application in which the failure of the Freescale Semiconductor product could create a situation where personal injury or death may occur. Should Buyer purchase or use Freescale Semiconductor products for any such unintended or unauthorized application, Buyer shall indemnify and hold Freescale Semiconductor and its officers, employees, subsidiaries, affiliates, and distributors harmless against all claims, costs, damages, and expenses, and reasonable attorney fees arising out of, directly or indirectly, any claim of personal injury or death associated with such unintended or unauthorized use, even if such claim alleges that Freescale Semiconductor was negligent regarding the design or manufacture of the part.



Freescale™ and the Freescale logo are trademarks of Freescale Semiconductor, Inc. All other product or service names are the property of their respective owners. This product incorporates SuperFlash® technology licensed from SST.

© Freescale Semiconductor, Inc. 2005. All rights reserved.

MC56F8037EVMUG  
Rev. 0  
09/2006