

UM10382

UBA2028 CFL 18 W, 120 V dimmable reference board

Rev. 03 — 27 August 2010

User manual

Document information

Info	Content
Keywords	UBA2028, reference board, TRIAC dimmable, charge pump
Abstract	This document is a user manual for the UBA2028 120 V TRIAC dimmable reference board with charge pump.



Revision history

Rev	Date	Description
v.3	20100827	Third issue. Modifications: <ul style="list-style-type: none">• All illustrations updated to revised AQL standard.• Section 10 “Legal information” updated.
v.2	20091015	Second issue
v.1	20091012	First issue

Contact information

For more information, please visit: <http://www.nxp.com>

For sales office addresses, please send an email to: salesaddresses@nxp.com

1. Introduction

WARNING

Lethal voltage and fire ignition hazard



The non-insulated high voltages that are present when operating this product, constitute a risk of electric shock, personal injury, death and/or ignition of fire.

This product is intended for evaluation purposes only. It shall be operated in a designated test area by personnel that is qualified according to local requirements and labor laws to work with non-insulated mains voltages and high-voltage circuits. This product shall never be operated unattended.

The UBA2028 is a high voltage power IC intended to drive and control electronically ballasted Compact Fluorescent Lamps (CFLs). The IC includes two internal 600 V, 3 Ω , Negative-channel Metal-Oxide Semiconductor (NMOS) half-bridge power circuits. This UBA2028 reference board is intended for 120 V dimmable charge pump lamp applications of 20 W and below. It can dim to below 10 % of the light output. The main input voltage range is 120 V \pm 15 %, and a voltage doubler is used to make the necessary bus voltage.

2. Features

- Two internal 600 V, 3 Ω , NMOS half-bridge power circuits
- Current up to 280 mA for steady state
- Adjustable preheat time
- Adjustable preheat current
- Dimmable function
- Capacitive mode protection

3. Circuit diagram

The circuit diagram is shown in [Figure 1](#)

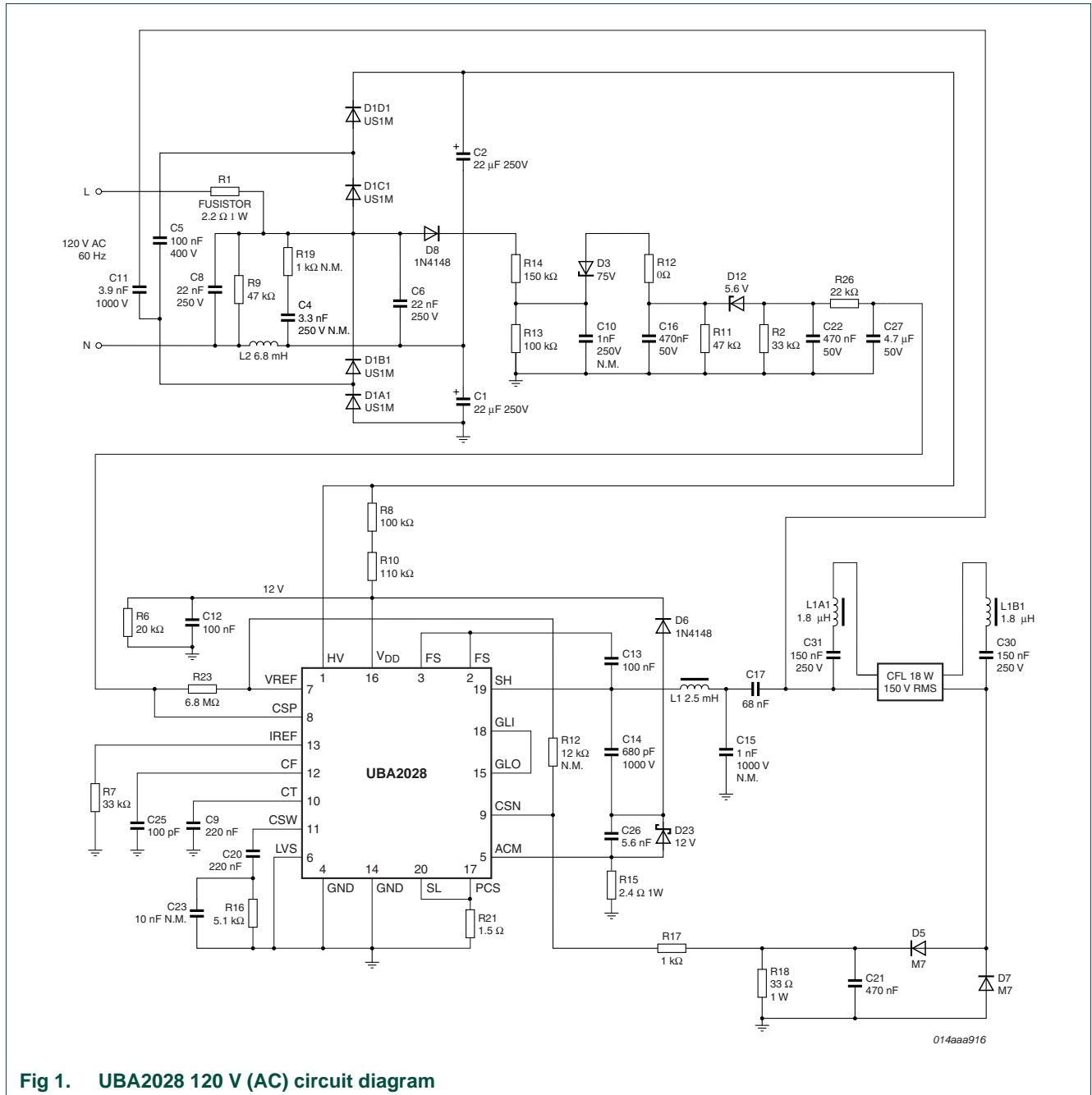


Fig 1. UBA2028 120 V (AC) circuit diagram

4. Board connection

The 120 V (AC) mains input connection and four CFL connections for the burner are connected as shown below. A fusible resistor of 2.2 Ω is placed in series with the 120 V (AC) mains input. See [Figure 2](#):

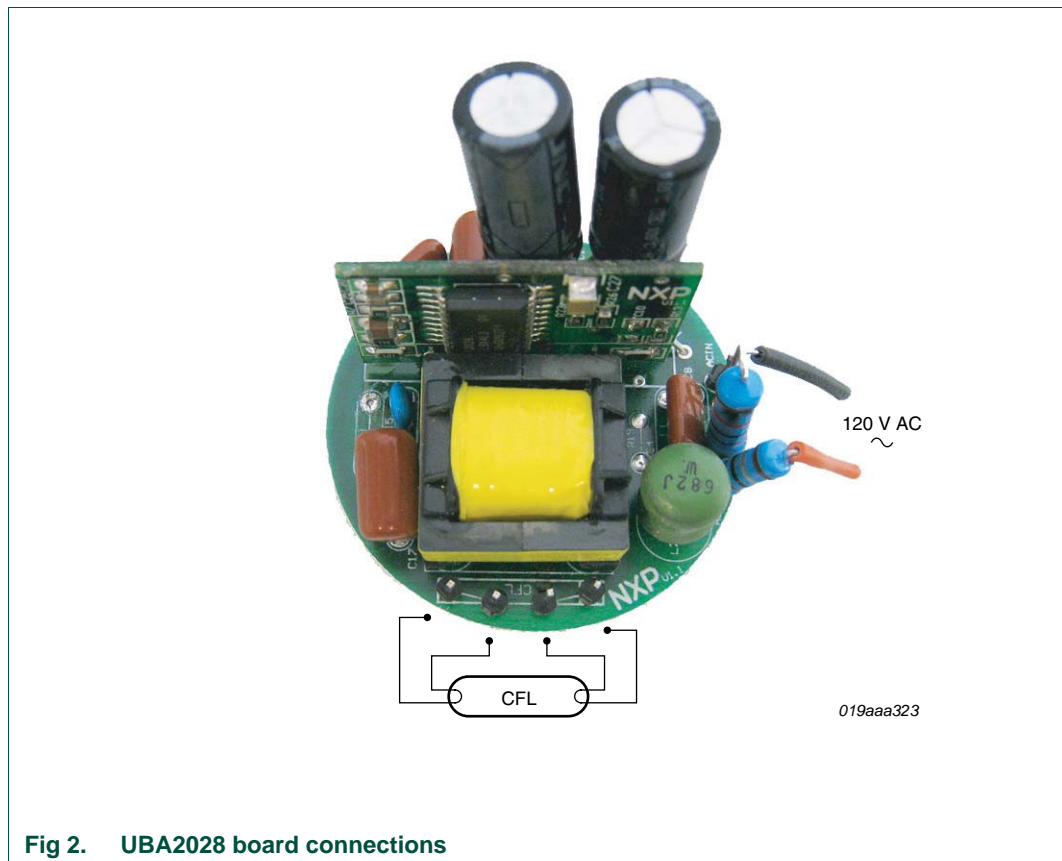


Fig 2. UBA2028 board connections

5. Circuit considerations

5.1 Preheat time selection

The preheat time can be adjusted by the capacitor C9 (CT pin) and the resistor R7 (IREF pin). Because R7 also defines the f_{\min} , it is advised to change C9 to adjust the preheat time. The preheat time equation is shown below:

$$T_{pr} = \frac{C9}{(330 \times 10^{-9})} \times \frac{R7}{(33 \times 10^3)} s$$

5.2 Preheat current selection

The preheat current can be adjusted by L1A1, L1B1, C30, C31 and R21. Because L1A1, L1B1, C30 and C31 also need to maintain enough filament current for low light output, adjusting the preheat current depends mainly on R21. Reducing the value of R21 will increase the filament preheat current.

Remark: Sufficient preheat current must be maintained for proper ignition.

5.3 Transformer selection

The transformer (L1) used for this dimmable application, needs sufficient current during low light output, to maintain a smooth mains DC voltage, so the transformer does not go into saturation during low light output. Measuring the current through L1 at low light output is means of indicating transformer performance.

5.4 Resonant and feedback capacitor selection

The resonant capacitor C15 and the feedback capacitor C11 along with the resonant inductance L1 form the resonant system. For the system to work well, the resonant frequency given by the formula below is used:

$$f = \frac{1}{[2\pi \times SQRT(L \times C)]}$$

This resonant frequency must be higher than the normal working frequency, so C11 and C15 must be selected carefully according to the above equation. Because C11 and C15 also need a support current to maintain mains DC voltage smoothly and to avoid the burner flickering at low dimming levels, the selection of C11 and C15 needs to balance to maintain the stability of the whole system.

5.5 Input filter selection

Input filter components C6, C8 and L2 need to be selected to filter the output noise of the dimmer in order to supply a smooth voltage to CSP pin, and are also needed to avoid resonance of the dimmer and the system throughout the entire dimming range. The input filter avoids ElectroMagnetic Interference (EMI) polluting the input power supply.

5.6 Burner filament current selection when a low light output is required

During low light output, because of very low current through burner, the filament temperature will go down. Under this condition, the electron emission temperature will not be enough, and not enough electrons will be emitted. So L1A, L1B, C30 and C31 need to support enough current (normal around 200 mA RMS) to the filament, in order to maintain filament temperature for low light output.

6. Measurements

Table 1. Dimming measurements using Norma D4000 power analyzer

Norma analyzer measurement	UBA2028 (no dimming)	UBA2028 (minimum dimming)
V _I (V RMS)	120	30
I _I (mA RMS)	227	159
PACT (W)	20.8	4.2
CFi	2.8	5.8
TDI	0.62	0.9
PF	0.76	0.84

For the UBA2028 no dimming measurements, the Norma D4000 power analyzer was placed between the lamp and the mains and no TRIAC dimmer was used.

For the UBA2028 minimum dimming measurements, the Norma D4000 power analyzer was placed between the TRIAC dimmer and the lamp in order to measure PACT at minimum dimming level.

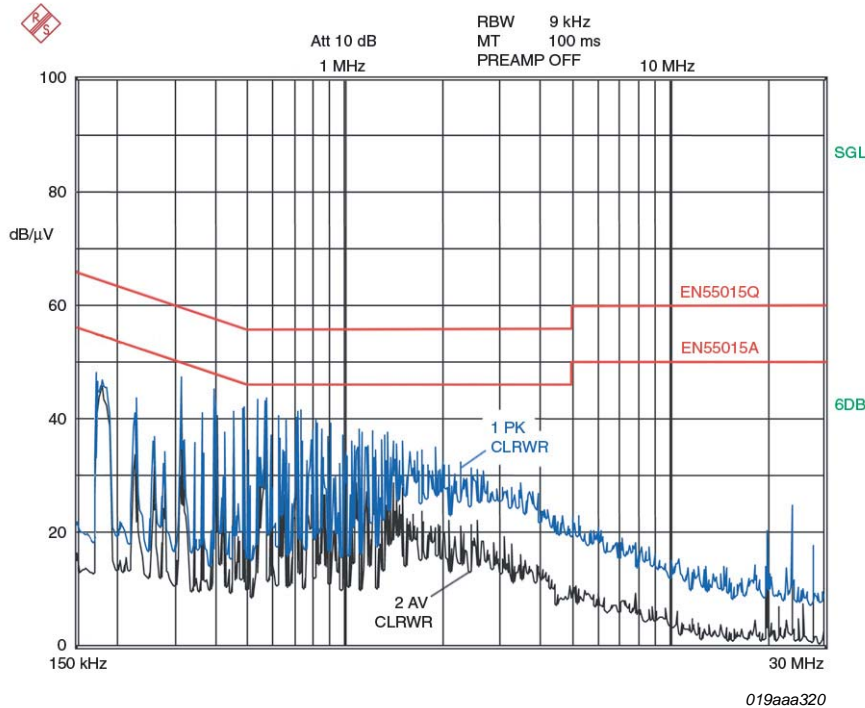


Fig 3. EMI measurements

6.1 I-transformer and V-burner under maximum and minimum light output

For dimmable applications, the burner selection is very important. When the burner is adjusted to a low light output, the burner voltage will go high, and the main voltage will go down due to the action of the TRIAC. Under these conditions, the resonant inductance needs a support current in order to maintain a smooth main DC voltage for the high voltage burner. When the high light output and the burner voltage change is not excessive when dimming to a low light output, the burner should have a voltage of approximately 100 V.

Figure 4 and Figure 5 show the measured wave of the I-transformer and V-burner with a suitable burner, for maximum and minimum light outputs. From these results, a small voltage change of the burner can be seen, and as the transformer current is less, the MOSFET will not be overloaded.

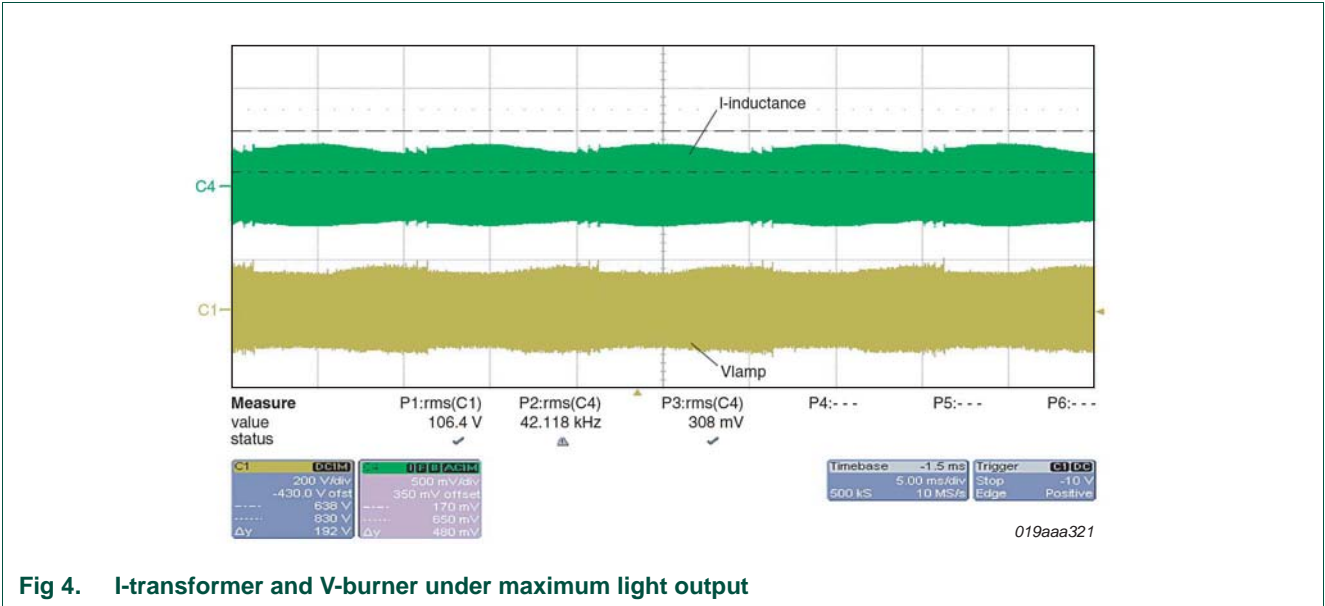


Fig 4. I-transformer and V-burner under maximum light output

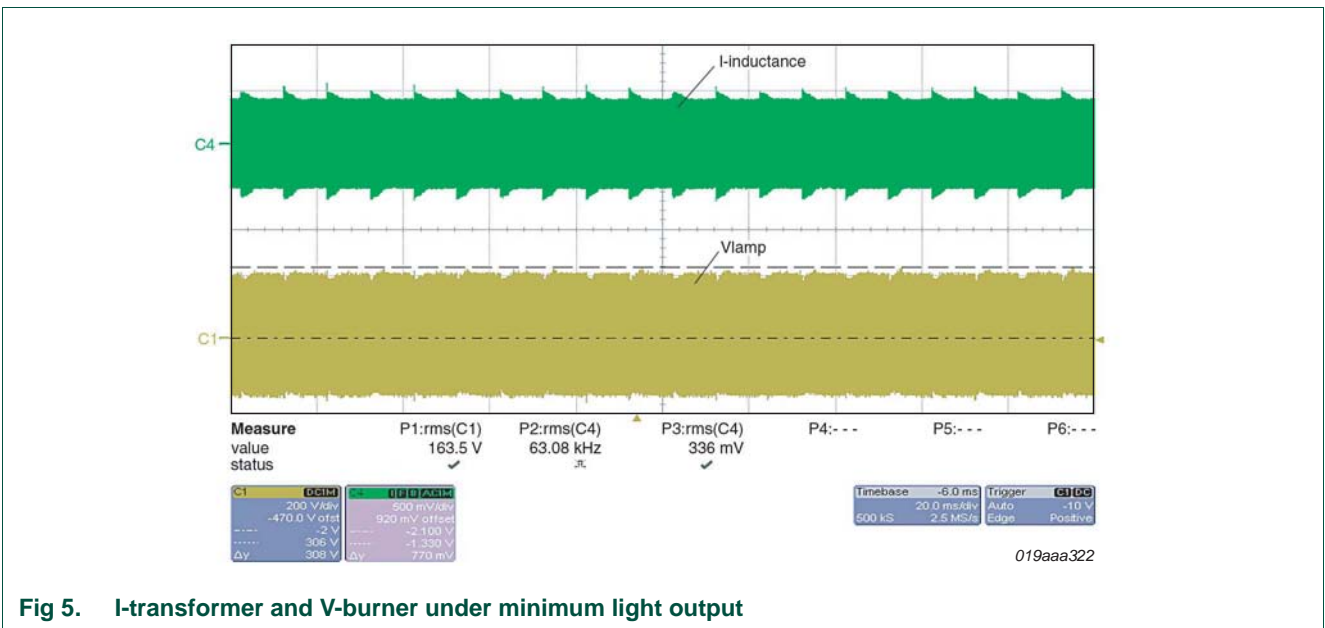
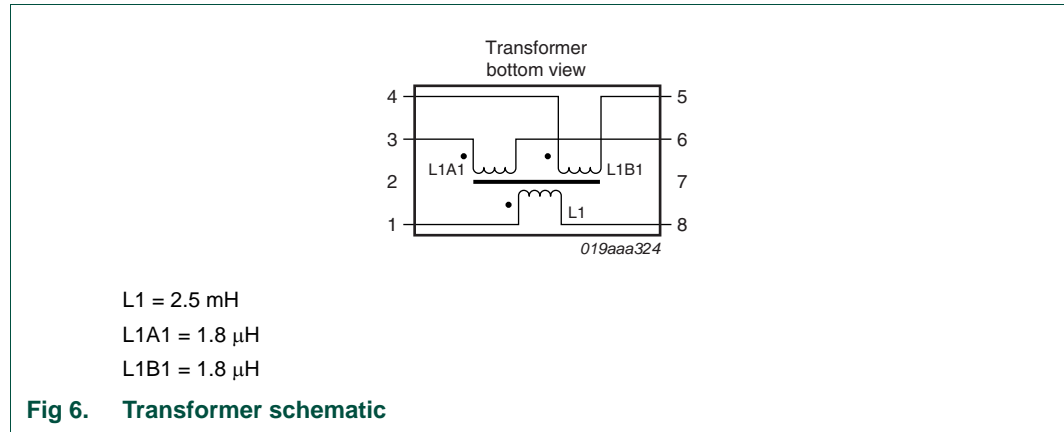


Fig 5. I-transformer and V-burner under minimum light output

7. Transformer specification

Figure 6 shows the transformer schematic:



7.1 Electrical characteristics

Table 2. Inductance

Section	Inductance	Resistor
Primary	2.5 mH	7 Ω
Secondary	1.8 μH	180 mΩ

7.2 Core and bobbin

- Core size: EF20
- Core material: Philips 3C85, Siemens N27 or equivalent
- Gap length: 1.0 mm

8. Bill Of Materials (BOM)

The components used for the 120 V reference board are given in [Table 3](#)

Table 3. BOM

Number	Quantity	Reference	Typical value
1	1	CFL 18 W 150 V RMS	23 W
2	2	C1, C2	22 μF; 250 V
3	1	C4	3.3 nF; 250 V
4	1	C5	100 nF; 400 V
5	2	C6, C8	22 nF; 250 V
6	2	C9, C20	220 nF
7	1	C10	1 nF; 250 V N.M.
8	1	C11	3.9 nF; 1 kV
9	1	C12	100 nF
10	1	C13	100 nF

Table 3. BOM ...continued

Number	Quantity	Reference	Typical value
11	1	C14	680 pF; 1 kV
12	1	C15	1 nF; 1 kV N.M.
13	2	C16, C22	470 nF; 50 V
14	1	C17	68 nF
15	1	C21	470 nF
16	1	C23	10 nF; N.M.
17	1	C25	100 pF
18	1	C26	5.6 nF
19	1	C27	4.7 μ F; 50 V
20	2	C30, C31	150 nF; 250 V
21	1	D3	75 V
22	2	D6, D8	1N4148
23	2	D5, D7	M7
24	4	D1D1, D1C1, D1B1, D1A1	US1M
25	1	D12	5.6 V Zener
26	1	D23	12 V Zener
27	1	L1	2.5 mH
28	1	L2	6.8 mH
29	2	L1B1, L1A1	1.8 μ H
30	1	R1	fusible resistor 2.2 Ω ; 1 W
31	1	R2	33 k Ω
32	1	R7	33 k Ω
33	1	R6	20 k Ω
34	1	R8	100 k Ω
35	1	R9	47 k Ω
36	1	R10	110 k Ω
37	1	R11	47 k Ω
38	1	R12	0 Ω
39	1	R13	100 k Ω
40	1	R14	150 k Ω
41	1	R15	2.4 Ω 1 W
42	1	R16	5.1 k Ω
43	1	R17	1 k Ω
44	1	R18	33 Ω ; 1 W
45	1	R19	1 kW; N.M.
46	1	R21	1.5 Ω
47	1	R23	6.8 M Ω
48	1	R26	22 k Ω
49	1	-	UBA2028

9. Appendix PCB layout

Figure 7 and Figure 8 show the layout of the PCB.

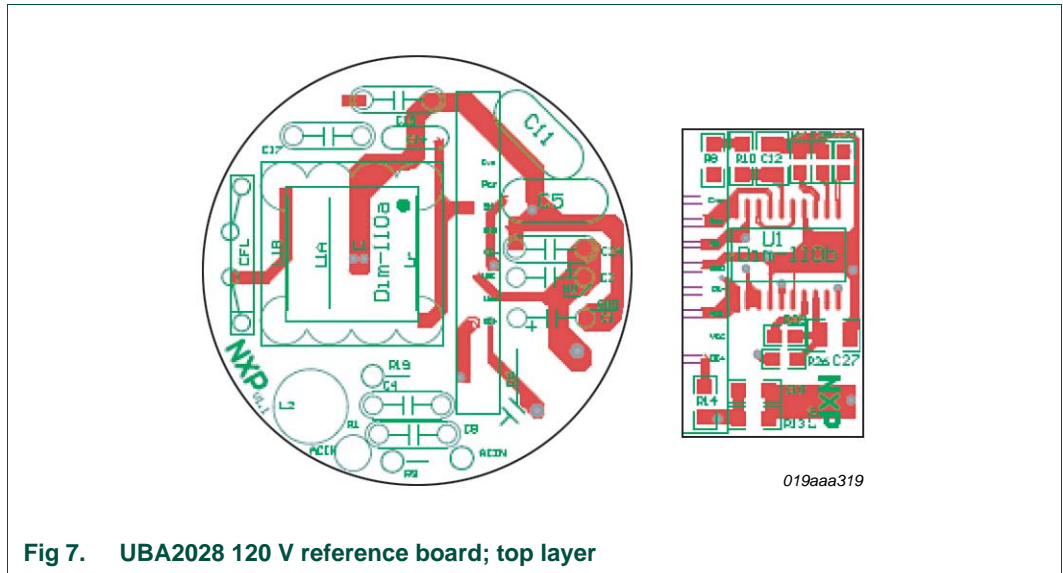


Fig 7. UBA2028 120 V reference board; top layer

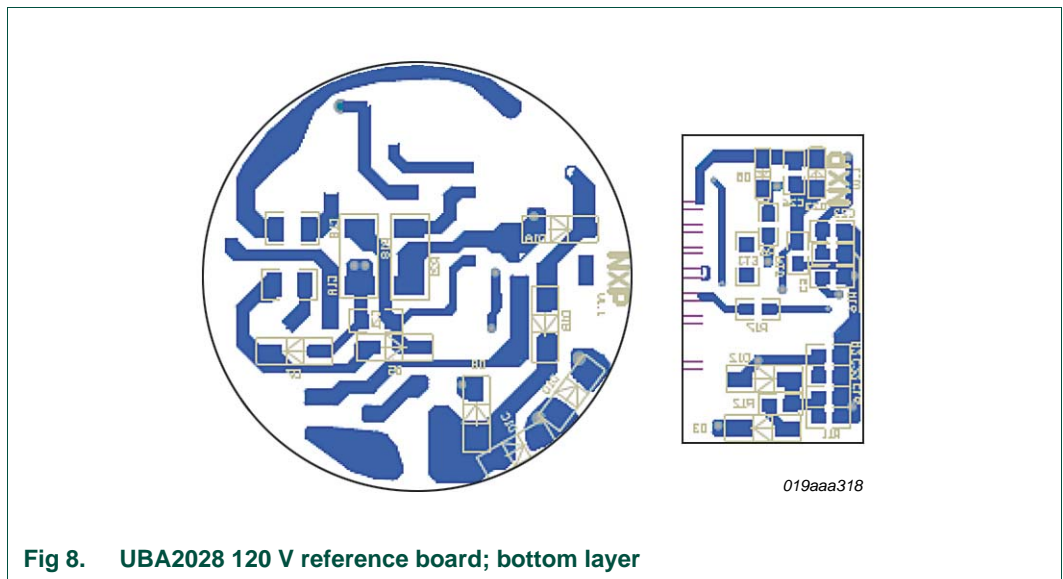


Fig 8. UBA2028 120 V reference board; bottom layer

10. Legal information

10.1 Definitions

Draft — The document is a draft version only. The content is still under internal review and subject to formal approval, which may result in modifications or additions. NXP Semiconductors does not give any representations or warranties as to the accuracy or completeness of information included herein and shall have no liability for the consequences of use of such information.

10.2 Disclaimers

Limited warranty and liability — Information in this document is believed to be accurate and reliable. However, NXP Semiconductors does not give any representations or warranties, expressed or implied, as to the accuracy or completeness of such information and shall have no liability for the consequences of use of such information.

In no event shall NXP Semiconductors be liable for any indirect, incidental, punitive, special or consequential damages (including - without limitation - lost profits, lost savings, business interruption, costs related to the removal or replacement of any products or rework charges) whether or not such damages are based on tort (including negligence), warranty, breach of contract or any other legal theory.

Notwithstanding any damages that customer might incur for any reason whatsoever, NXP Semiconductors' aggregate and cumulative liability towards customer for the products described herein shall be limited in accordance with the *Terms and conditions of commercial sale* of NXP Semiconductors.

Right to make changes — NXP Semiconductors reserves the right to make changes to information published in this document, including without limitation specifications and product descriptions, at any time and without notice. This document supersedes and replaces all information supplied prior to the publication hereof.

Suitability for use — NXP Semiconductors products are not designed, authorized or warranted to be suitable for use in life support, life-critical or safety-critical systems or equipment, nor in applications where failure or malfunction of an NXP Semiconductors product can reasonably be expected to result in personal injury, death or severe property or environmental damage. NXP Semiconductors accepts no liability for inclusion and/or use of NXP Semiconductors products in such equipment or applications and therefore such inclusion and/or use is at the customer's own risk.

Applications — Applications that are described herein for any of these products are for illustrative purposes only. NXP Semiconductors makes no representation or warranty that such applications will be suitable for the specified use without further testing or modification.

Customers are responsible for the design and operation of their applications and products using NXP Semiconductors products, and NXP Semiconductors accepts no liability for any assistance with applications or customer product design. It is customer's sole responsibility to determine whether the NXP Semiconductors product is suitable and fit for the customer's applications and products planned, as well as for the planned application and use of customer's third party customer(s). Customers should provide appropriate design and operating safeguards to minimize the risks associated with their applications and products.

NXP Semiconductors does not accept any liability related to any default, damage, costs or problem which is based on any weakness or default in the customer's applications or products, or the application or use by customer's third party customer(s). Customer is responsible for doing all necessary testing for the customer's applications and products using NXP Semiconductors products in order to avoid a default of the applications and the products or of the application or use by customer's third party customer(s). NXP does not accept any liability in this respect.

Export control — This document as well as the item(s) described herein may be subject to export control regulations. Export might require a prior authorization from national authorities.

Evaluation products — This product is provided on an "as is" and "with all faults" basis for evaluation purposes only. NXP Semiconductors, its affiliates and their suppliers expressly disclaim all warranties, whether express, implied or statutory, including but not limited to the implied warranties of non-infringement, merchantability and fitness for a particular purpose. The entire risk as to the quality, or arising out of the use or performance, of this product remains with customer.

In no event shall NXP Semiconductors, its affiliates or their suppliers be liable to customer for any special, indirect, consequential, punitive or incidental damages (including without limitation damages for loss of business, business interruption, loss of use, loss of data or information, and the like) arising out of the use of or inability to use the product, whether or not based on tort (including negligence), strict liability, breach of contract, breach of warranty or any other theory, even if advised of the possibility of such damages.

Notwithstanding any damages that customer might incur for any reason whatsoever (including without limitation, all damages referenced above and all direct or general damages), the entire liability of NXP Semiconductors, its affiliates and their suppliers and customer's exclusive remedy for all of the foregoing shall be limited to actual damages incurred by customer based on reasonable reliance up to the greater of the amount actually paid by customer for the product or five dollars (US\$5.00). The foregoing limitations, exclusions and disclaimers shall apply to the maximum extent permitted by applicable law, even if any remedy fails of its essential purpose.

Safety of high-voltage evaluation products — The non-insulated high voltages that are present when operating this product, constitute a risk of electric shock, personal injury, death and/or ignition of fire. This product is intended for evaluation purposes only. It shall be operated in a designated test area by personnel that is qualified according to local requirements and labor laws to work with non-insulated mains voltages and high-voltage circuits.

The product does not comply with IEC 60950 based national or regional safety standards. NXP Semiconductors does not accept any liability for damages incurred due to inappropriate use of this product or related to non-insulated high voltages. Any use of this product is at customer's own risk and liability. The customer shall fully indemnify and hold harmless NXP Semiconductors from any liability, damages and claims resulting from the use of the product.

10.3 Trademarks

Notice: All referenced brands, product names, service names and trademarks are the property of their respective owners.

11. Contents

1	Introduction	3
2	Features	3
3	Circuit diagram	4
4	Board connection	5
5	Circuit considerations	5
5.1	Preheat time selection	5
5.2	Preheat current selection	5
5.3	Transformer selection	6
5.4	Resonant and feedback capacitor selection ...	6
5.5	Input filter selection	6
5.6	Burner filament current selection when a low light output is required	6
6	Measurements	6
6.1	I-transformer and V-burner under maximum and minimum light output	7
7	Transformer specification	9
7.1	Electrical characteristics	9
7.2	Core and bobbin	9
8	Bill Of Materials (BOM)	9
9	Appendix PCB layout	11
10	Legal information	12
10.1	Definitions	12
10.2	Disclaimers	12
10.3	Trademarks	12
11	Contents	13

Please be aware that important notices concerning this document and the product(s) described herein, have been included in section 'Legal information'.

© NXP B.V. 2010.

All rights reserved.

For more information, please visit: <http://www.nxp.com>

For sales office addresses, please send an email to: salesaddresses@nxp.com

Date of release: 27 August 2010

Document identifier: UM10382