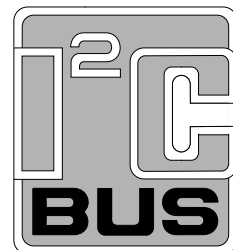


USER MANUAL



P89LPC930/931

8-bit microcontroller with two-clock core
4 KB/8 KB 3 V low-power Flash with 256 Byte RAM

2003 Dec 8

Table of Contents**P89LPC930/931****Table of Contents**

1. General Description.....	9
.....	9
Pin configuration.....	9
28-Pin TSSOP Package	9
Logic symbol.....	10
Pin Descriptions.....	12
Special Function Registers.....	15
Special Function Registers Table	15
Memory organization	19
Data RAM arrangement.....	20
2. Clocks	21
Enhanced CPU.....	21
Clocks.....	21
Clock definitions	21
Oscillator clock (OSCCLK)	21
Low speed oscillator option	21
Medium speed oscillator option	21
High speed oscillator option.....	21
Clock output.....	21
On-chip RC oscillator option.....	22
Watchdog oscillator option	22
External clock input option.....	22
Oscillator Clock (OSCCLK) wakeup delay	23
CPU Clock (CCLK) modification: DIVM register	24
Low power select.....	24
3. Interrupts	25
Interrupt priority structure	25
External Interrupt inputs	26
External Interrupt pin glitch suppression	27
4. I/O Ports	29
Port configurations.....	29
Quasi-bidirectional output configuration	29
Open drain output configuration	30
Input-only configuration	30
Push-pull output configuration	31
Port 0 analog functions.....	31
Additional port features.....	32
5. Power Monitoring Functions	35
Brownout Detection	35
Power-on Detection	36
Power reduction modes.....	36
6. Reset	41

Table of Contents

P89LPC930/931

Reset vector	42
7. Timers 0 and 1	43
Mode 0	44
Mode 1	44
Mode 2	45
Mode 3	45
Mode 6	45
Timer overflow toggle output	48
8. Real-Time Clock/System Timer	49
Real-time Clock source	49
Changing RTCS1-0	49
Real-time Clock interrupt/wake up	50
Reset sources affecting the Real-time Clock	50
9. UART	53
Mode 0	53
Mode 1	53
Mode 2	53
Mode 3	53
SFR space	54
Baud Rate Generator and selection	54
Updating the BRGR1 and BRGR0 SFRs	54
Framing Error	55
Break Detect	55
More about UART Mode 0	57
More about UART Mode 1	58
More about UART Modes 2 and 3	59
Framing Error and RI in Modes 2 and 3 with SM2 = 1	59
Break Detect	59
Double buffering	60
Double buffering in different modes	60
Transmit interrupts with double buffering enabled (Modes 1, 2 and 3)	60
The 9th bit (bit 8) in double buffering (Modes 1, 2 and 3)	61
Multiprocessor communications	62
Automatic address recognition	62
10. I2C interface	65
I2C Data register	66
I2C Slave Address register	66
I2C Control register	66
I2C Status register	68
I2C SCL Duty Cycle registers I2SCLH and I2SCLL	68
I2C operation mode	69
Master Transmitter Mode	69
Master Receiver Mode	70
Slave Receiver Mode	71

Table of Contents

P89LPC930/931

Slave Transmitter Mode.....	71
11. Serial Peripheral Interface (SPI).....	81
Typical SPI configurations	83
Configuring the SPI	85
Additional considerations for a slave	85
Additional considerations for a master	85
Mode change on SS	86
Write collision	86
Data mode	86
SPI clock prescaler select	88
12. Analog comparators	89
Comparator configuration	89
Internal reference voltage.....	90
Comparator interrupt	90
Comparators and power reduction modes	90
Comparator configuration example	91
13. Keypad Interrupt (KBI).....	93
14. Watchdog Timer	95
Watchdog Function.....	95
Feed Sequence	96
Watchdog Clock Source	98
Watchdog Timer in Timer Mode	99
Power down operation.....	100
Periodic wakeup from Power down without an external oscillator.....	100
15. Additional Features.....	101
Software reset	101
Dual Data Pointers	101
16. Flash Memory	103
General description	103
Features	103
Flash programming and erase.....	103
Using Flash as data storage: IAP-Lite	103
In-Circuit Programming (ICP)	107
ISP and IAP capabilities of the P89LPC930/931	107
Boot ROM.....	108
Power-On reset code execution	108
Hardware activation of the Boot Loader	108
In-System Programming (ISP).....	109
Using the In-System Programming.....	109
In-Application Programming method	114
IAP Authorization Key.....	114
User configuration bytes.....	119
User security bytes	120

Table of Contents

P89LPC930/931

Boot Vector.....	121
Boot Status.....	121
17. Instruction set.....	123
18. Revision History.....	127
19. Index.....	129

List of Figures**P89LPC930/931****List of Figures**

P89LPC930/931 memory map	19
On-chip data memory usage.	20
On-chip RC oscillator TRIM register	22
Using the crystal oscillator.	23
Block diagram of oscillator control.	23
Interrupt priority level.	25
Summary of interrupts.	26
Interrupt sources, interrupt enables, and power down wake-up sources	27
Number of I/O pins available.	29
Port output configuration settings	29
Quasi-bidirectional output	30
Open drain output	30
Input -only	31
Push-pull output	31
Port output configuration	32
Brownout options.	36
Power reduction modes.	37
Power Control register (PCON).	38
Power Control register A (PCONA).	39
Block diagram of Reset.	41
Reset Sources register	42
Timer/Counter Mode Control register (TMOD)	43
Timer/Counter Auxiliary Mode Control register (TAMOD).	44
Timer/Counter Control register (TCON)	46
Timer/Counter 0 or 1 in Mode 0 (13-bit counter).	46
Timer/Counter 0 or 1 in Mode 1 (16-bit counter).	47
Timer/Counter 0 or 1 in Mode 2 (8-bit auto-reload).	47
Timer/Counter 0 Mode 3 (two 8-bit counters)	47
Timer/Counter 0 or 1 in Mode 6 (PWM auto-reload).	48
Real-time Clock/System Timer block diagram	49
Real-time Clock/System Timer clock sources	50
RTCCON Register.	51
SFR Locations for UARTs.	54
Baud rate generation for UART.	54
BRGCON register	55
Baud rate generation for UART (Modes 1, 3)	55
Serial Port Control register (SCON)	56
Serial Port Status register (SSTAT)	57
Serial Port Mode 0 (double buffering must be disabled).	58
Serial Port Mode 1 (only single transmit buffering case is shown)	58
Serial Port Mode 2 or 3 (only single transmit buffering case is shown)	59
FE and RI when SM2 = 1 in Modes 2 and 3.	59
Transmission with and without double buffering	61

List of Figures**P89LPC930/931**

I2C-bus configuration	65
I2C Data register	66
I2C Slave Address register	66
I2C Control register	67
I2C Status register	68
I2C clock rates selection	68
I2C Control register	69
Format in the Master Transmitter Mode	70
Format of Master Receiver Mode	70
A Master Receiver switches to Master Transmitter after sending Repeated Start	70
Format of Slave Receiver Mode	71
Format of Slave Transmitter Mode	72
I2C-bus serial interface block diagram	73
Master Transmitter Mode	74
Master Receiver Mode	75
Slave Receiver Mode	76
Slave Transmitter Mode	79
SPI block diagram	81
SPI Control register	82
SPI Status register definition	83
SPI Data register	83
SPI single master single slave configuration	83
SPI dual device configuration, where either can be a master or a slave	84
SPI single master multiple slaves configuration	84
SPI master and slave selection	85
SPI slave transfer format with CPHA = 0	87
SPI slave transfer format with CPHA = 1	87
SPI master transfer format with CPHA = 0	88
SPI master transfer format with CPHA = 1	88
Comparator control registers (CMP1 and CMP2)	89
Comparator input and output connections	90
Comparator configurations	91
Keypad Pattern register	93
Keypad Control register	93
Keypad Interrupt Mask register (KBM)	94
Watchdog timer configuration	95
Watchdog Prescaler	96
Watchdog Timer Control Register	97
P89LPC930/931 Watchdog Timeout Values	98
Watchdog Timer in Watchdog Mode (WDTE = 1)	99
Watchdog Timer in Timer Mode (WDTE = 0)	100
AUXR1 register	101
Flash Memory Control Register	105
Assembly language routine to erase/program all or part of a page	106
C-language routine to erase/program all or part of a page	107

List of Figures**P89LPC930/931**

Boot Loader Address and Default Boot Vector	108
Forcing ISP Mode	109
In-System Programming (ISP) hex record formats	110
IAP error status.	115
IAP function calls.	115
Flash User Configuration Byte 1 (UCFG1)	119
User sector Security Bytes (SEC0, ..., SEC7).	120
Effects of Security Bits	120
Boot Vector (BOOTVEC).	121
Boot Status (BOOTSTAT).	121
Instruction set summary	123

General Description

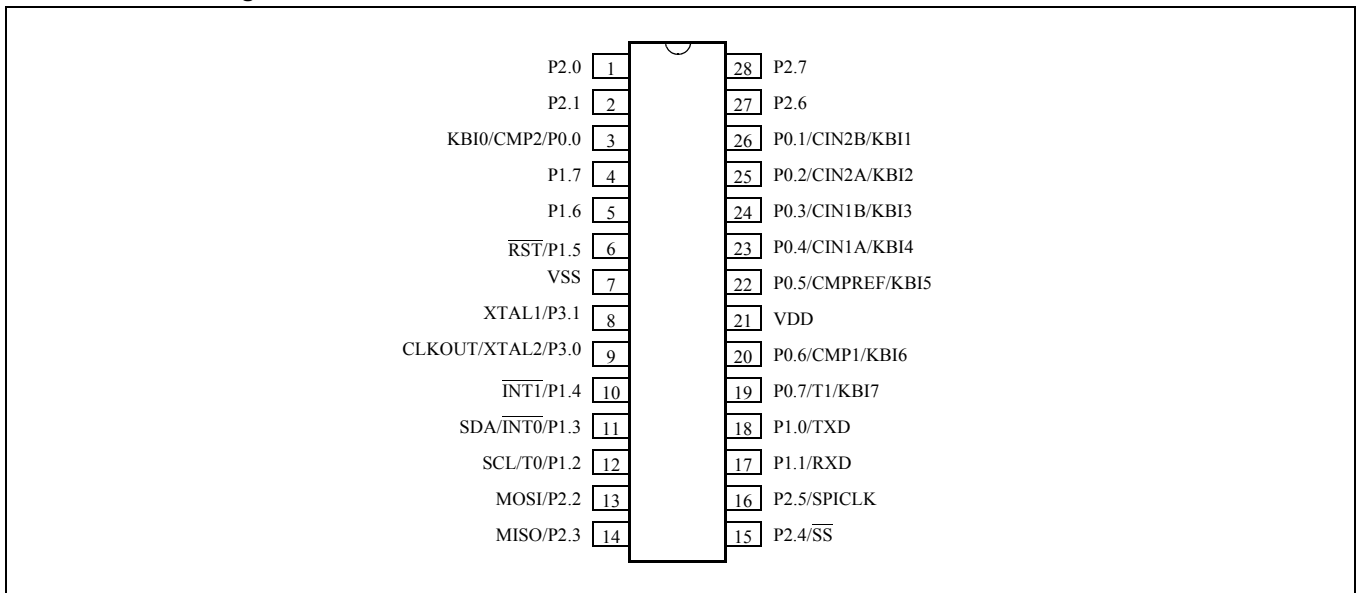
P89LPC930/931

1. General Description

The **P89LPC930/931** is a single-chip microcontroller designed for applications demanding high-integration, low cost solutions over a wide range of performance requirements. The **P89LPC930/931** is based on a high performance processor architecture that executes instructions in two to four clocks, six times the rate of standard 80C51 devices. Many system level functions have been incorporated into the **P89LPC930/931** in order to reduce component count, board space, and system cost.

Pin configuration

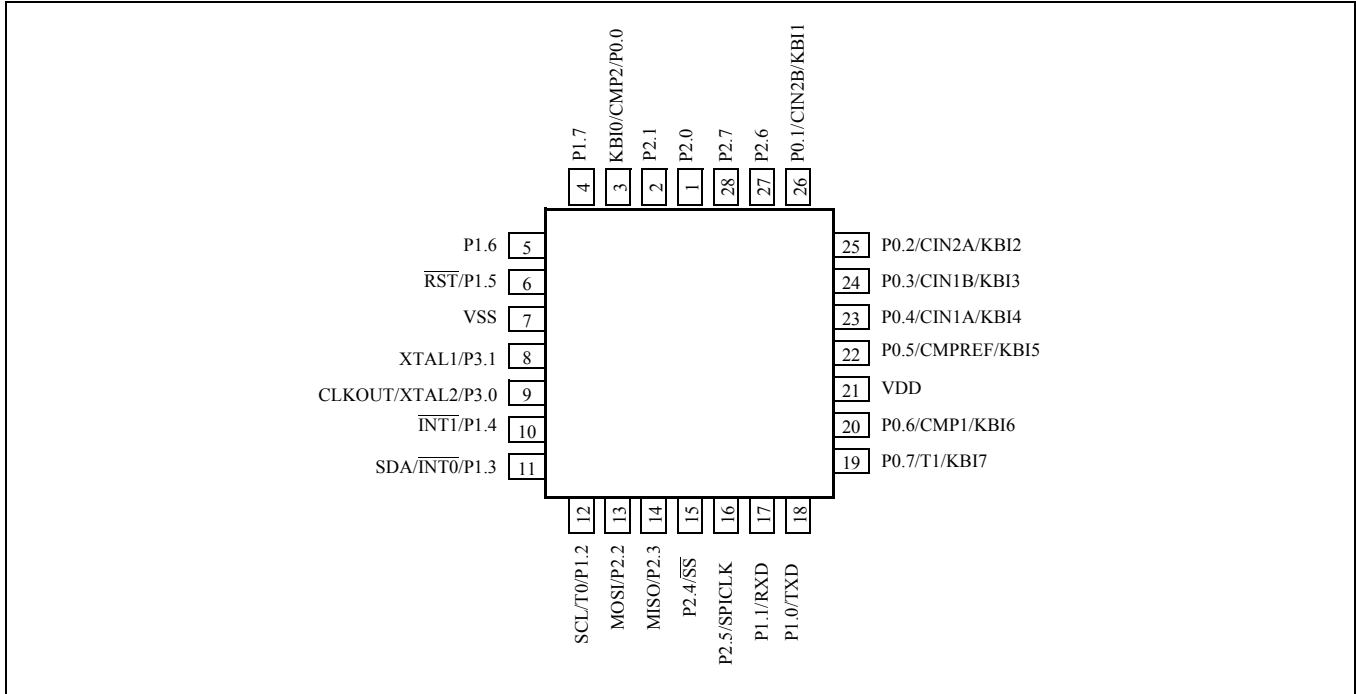
28-Pin TSSOP Package



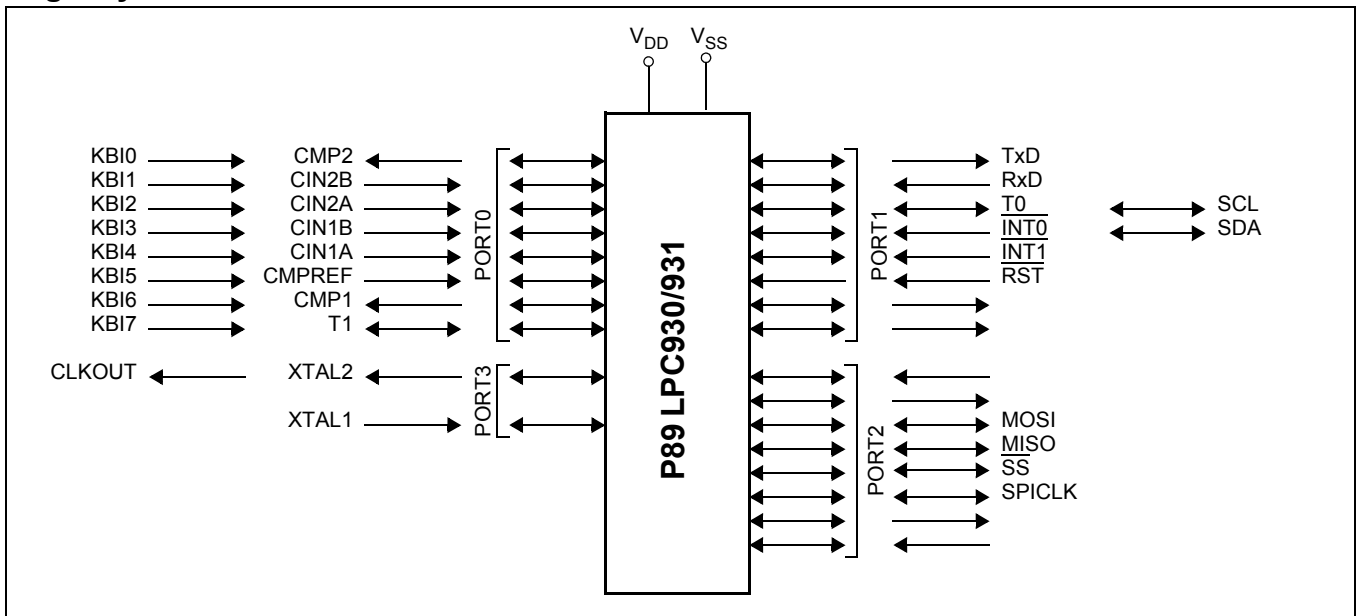
General Description

P89LPC930/931

28-Pin PLCC Package



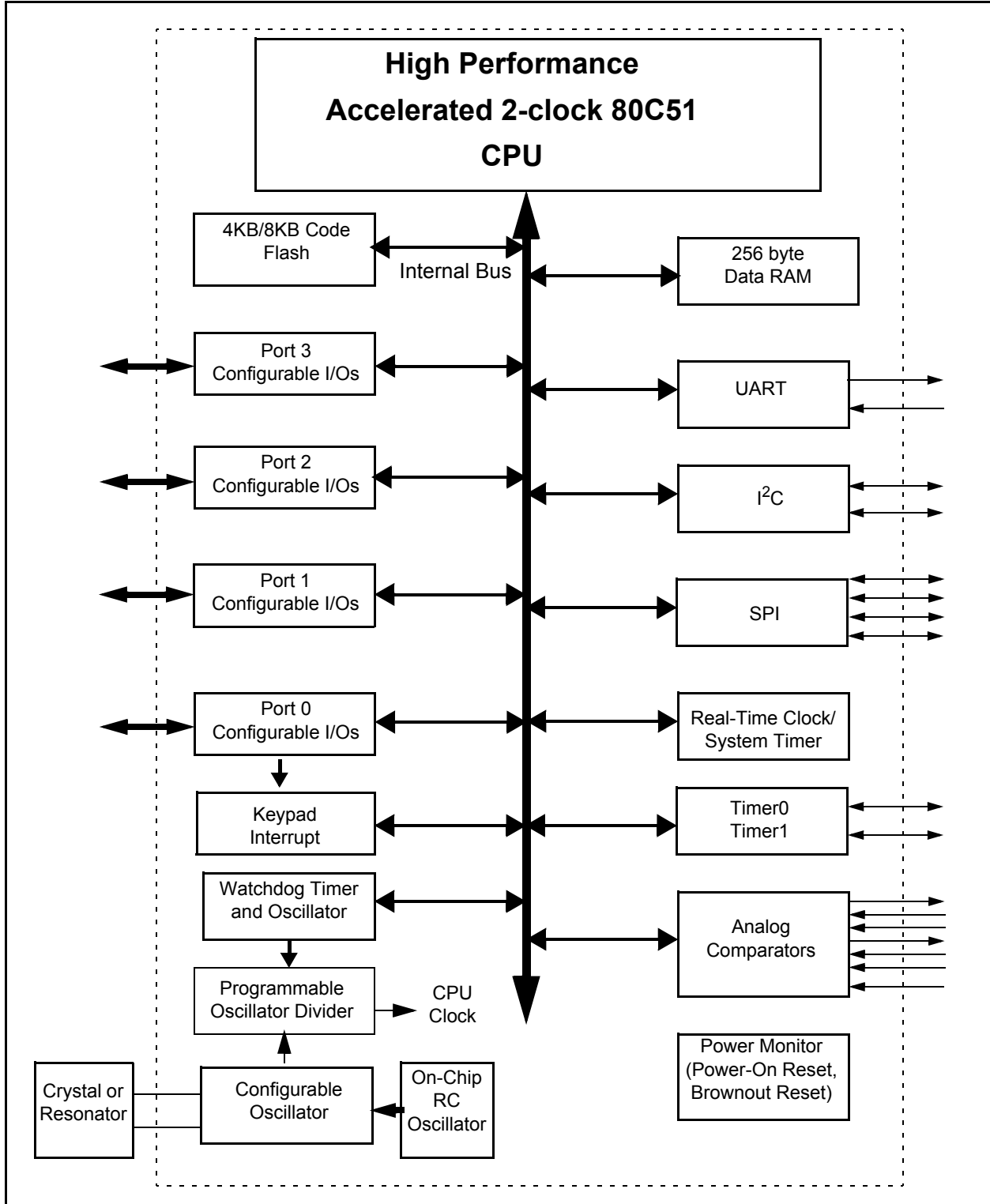
Logic symbol



General Description

P89LPC930/931

Block Diagram



General Description

P89LPC930/931

Pin Descriptions

MNEMONIC	PIN NO. for TSSOP28/ PLCC28	TYPE	NAME AND FUNCTION
P0.0 - P0.7	3, 26, 25, 24, 23, 22, 20, 19	I/O	<p>Port 0: Port 0 is an 8-bit I/O port with a user-configurable output type. During reset Port 0 latches are configured in the input only mode with the internal pullup disabled. The operation of port 0 pins as inputs and outputs depends upon the port configuration selected. Each port pin is configured independently. Refer to the section on I/O port configuration and the DC Electrical Characteristics for details.</p> <p>The Keypad Interrupt feature operates with port 0 pins.</p> <p>All pins have Schmitt triggered inputs.</p> <p>Port 0 also provides various special functions as described below.</p>
	3	I/O O I	<p>P0.0 Port 0 bit 0.</p> <p>CMP2 Comparator 2 output.</p> <p>KBI0 Keyboard Input 0.</p>
	26	I/O I I	<p>P0.1 Port 0 bit 1.</p> <p>CIN2B Comparator 2 positive input B.</p> <p>KBI1 Keyboard Input 1.</p>
	25	I/O I I	<p>P0.2 Port 0 bit 2.</p> <p>CIN2A Comparator 2 positive input A.</p> <p>KBI2 Keyboard Input 2.</p>
	24	I/O I I	<p>P0.3 Port 0 bit 3.</p> <p>CIN1B Comparator 1 positive input B.</p> <p>KBI3 Keyboard Input 3.</p>
	23	I/O I I	<p>P0.4 Port 0 bit 4.</p> <p>CIN1A Comparator 1 positive input A.</p> <p>KBI4 Keyboard Input 4.</p>
	22	I/O I I	<p>P0.5 Port 0 bit 5.</p> <p>CMPREF Comparator reference (negative) input.</p> <p>KBI5 Keyboard Input 5.</p>
	20	I/O O I	<p>P0.6 Port 0 bit 6.</p> <p>CMP1 Comparator 1 output.</p> <p>KBI6 Keyboard Input 6.</p>
	19	I/O I/O I	<p>P0.7 Port 0 bit 7.</p> <p>T1 Timer/counter 1 external count input or overflow output.</p> <p>KBI7 Keyboard Input 7.</p>

General Description

P89LPC930/931

MNEMONIC	PIN NO. for TSSOP28/PLCC28	TYPE	NAME AND FUNCTION
P1.0 - P1.7	18, 17, 12, 11, 10, 6, 5, 4	I/O (for P1.0-P1.4, P1.6-P1.7); I (for P1.5)	<p>Port 1: Port 1 is an 8-bit I/O port with a user-configurable output type, except for three pins as noted below. During reset Port 1 latches are configured in the input only mode with the internal pullup disabled. The operation of the configurable port 1 pins as inputs and outputs depends upon the port configuration selected. Each of the configurable port pins are programmed independently. Refer to the section on I/O port configuration and the DC Electrical Characteristics for details. P1.2 - P1.3 are open drain when used as outputs. P1.5 is input only.</p> <p>All pins have Schmitt triggered inputs.</p> <p>Port 1 also provides various special functions as described below.</p>
	18	I/O O	<p>P1.0 Port 1 bit 0.</p> <p>TxD Transmitter output for the serial port.</p>
	17	I/O I	<p>P1.1 Port 1 bit 1.</p> <p>RxD Receiver input for the serial port.</p>
	12	I/O I/O I/O	<p>P1.2 Port 1 bit 2. (Open-drain when used as an output)</p> <p>T0 Timer/counter 0 external count input or overflow output. (Open-drain when used as outputs)</p> <p>SCL I²C serial clock input/output.</p>
	11	I I I/O	<p>P1.3 Port 1 bit 3. (Open-drain when used as an output)</p> <p>INT0 External interrupt 0 input.</p> <p>SDA I²C serial data input/output.</p>
	10	I I	<p>P1.4 Port 1 bit 4.</p> <p>INT1 External interrupt 1 input.</p>
	6	I I	<p>P1.5 Port 1 bit 5. (Input only)</p> <p>RST External Reset input during power-on or if selected via UCFG1. When functioning as a reset input a low on this pin resets the microcontroller, causing I/O ports and peripherals to take on their default states, and the processor begins execution at address 0. Also used during a power-on sequence to force In-System Programming mode.</p>
	5	I/O	P1.6 Port 1 bit 6.
	4	I/O	P1.7 Port 1 bit 7.

General Description

P89LPC930/931

MNEMONIC	PIN NO. for TSSOP28/ PLCC28	TYPE	NAME AND FUNCTION
P2.0 - P2.7	1, 2, 13, 14, 15, 16, 27, 28	I/O	<p>Port 2: Port 2 is a 8-bit I/O port with a user-configurable output type. During reset Port 2 latches are configured in the input only mode with the internal pullup disabled. The operation of port 2 pins as inputs and outputs depends upon the port configuration selected. Each port pin is configured independently. Refer to the section on I/O port configuration and the DC Electrical Characteristics for details. All pins have Schmitt triggered inputs.</p> <p>Port 2 also provides various special functions as described below.</p>
	1	I/O	P2.0 Port 2 bit 0.
	2	I/O	P2.1 Port 2 bit 1.
	13	I/O	P2.2 Port 2 bit 2.
		I/O	MOSI SPI master out slave in. When configured as master, this pin is output, when configured as slave, this pin is input.
	14	I/O	P2.3 Port 2 bit 3.
		I/O	MISO SPI master in slave out. When configured as master, this pin is input, when configured as slave, this pin is output.
	15	I/O	P2.4 Port 2 bit 4.
		I	SS SPI Slave select.
16	I/O	P2.5 Port 2 bit 5.	
	I/O	SPICLK SPI clock. When configured as master, this pin is output, when configured as slave, this pin is input. (Not available in 20-pin package)	
27	I/O	P2.6 Port 2 bit 6.	
28	I/O	P2.7 Port 2 bit 7.	
P3.0 - P3.1	9, 8	I/O	<p>Port 3: Port 3 is an 2-bit I/O port with a user-configurable output type. During reset Port 3 latches are configured in the input only mode with the internal pullup disabled. The operation of port 3 pins as inputs and outputs depends upon the port configuration selected. Each port pin is configured independently. Refer to the section on I/O port configuration and the DC Electrical Characteristics for details.</p> <p>All pins have Schmitt triggered inputs.</p> <p>Port 3 also provides various special functions as described below:</p>
	9	I/O	P3.0 Port 3 bit 0.
		O	XTAL2 Output from the oscillator amplifier (when a crystal oscillator option is selected via the FLASH configuration).
	O	CLKOUT CPU clock divided by 2 when enabled via SFR bit (ENCLK - TRIM.6). It can be used if the CPU clock is the internal RC oscillator, watchdog oscillator or external clock input, except when XTAL1/XTAL2 are used to generate clock source for the Real-Time clock/system timer.	
8	I/O	P3.1 Port 3 bit 1.	
	I	XTAL1 Input to the oscillator circuit and internal clock generator circuits (when selected via the FLASH configuration). It can be a port pin if internal RC oscillator or watchdog oscillator is used as the CPU clock source, AND if XTAL1/XTAL2 are not used to generate the clock for the Real-Time clock/system timer.	
V _{SS}	7	I	Ground: 0 V reference.
V _{DD}	21	I	Power Supply: This is the power supply voltage for normal operation as well as Idle and Power down modes.

General Description

P89LPC930/931

Special Function Registers

Note: Special Function Registers (SFRs) accesses are restricted in the following ways:

1. User must NOT attempt to access any SFR locations not defined.
2. Accesses to any defined SFR locations must be strictly for the functions for the SFRs.
3. SFR bits labeled '-', '0' or '1' can ONLY be written and read as follows:
 - '-' Unless otherwise specified, MUST be written with '0', but can return any value when read (even if it was written with '0'). It is a reserved bit and may be used in future derivatives.
 - '0' MUST be written with '0', and will return a '0' when read.
 - '1' MUST be written with '1', and will return a '1' when read

SPECIAL FUNCTION REGISTERS TABLE

Name	Description	SFR Address	Bit Functions and Addresses							Reset Value		
			MSB							LSB		Hex
ACC*	Accumulator	E0H	E7	E6	E5	E4	E3	E2	E1	E0	00H	00000000
AUXR1#	Auxiliary Function Register	A2H	CLKLP	EBRR	ENT1	ENT0	SRST	0	-	DPS	00H ¹	000000x0
B*	B Register	F0H	F7	F6	F5	F4	F3	F2	F1	F0	00H	00000000
BRGR0#§	Baud Rate Generator Rate Low	BEH								00H	00000000	
BRGR1#§	Baud Rate Generator Rate High	BFH								00H	00000000	
BRGCON#	Baud Rate Generator Control	BDH	-	-	-	-	-	-	SBRGS	BRGEN	00H ⁰	xxxxxx00
CMP1#	Comparator 1 Control Register	ACH	-	-	CE1	CP1	CN1	OE1	CO1	CMF1	00H ¹	xx000000
CMP2#	Comparator 2 Control Register	ADH	-	-	CE2	CP2	CN2	OE2	CO2	CMF2	00H ¹	xx000000
DIVM#	CPU Clock Divide-by-M Control	95H								00H	00000000	
DPTR	Data Pointer (2 bytes)											
DPH	Data Pointer High	83H								00H	00000000	
DPL	Data Pointer Low	82H								00H	00000000	
FMADRH#	Program Flash Address High	E7H								00H	00000000	
FMADRL#	Program Flash Address Low	E6H								00H	00000000	
FMCON#	Program Flash Control (Read)	E4H	BUSY	-	-	-	HVA	HVE	SV	OI	70H	01110000
	Program Flash Control (Write)		FMCMD. 7	FMCMD. 6	FMCMD. 5	FMCMD. 4	FMCMD. 3	FMCMD. 2	FMCMD. 1	FMCMD. 0		
FMDATA#	Program Flash Data	E5H								00H	00000000	
I2ADR#	I ² C Slave Address Register	DBH	I2ADR.6	I2ADR.5	I2ADR.4	I2ADR.3	I2ADR.2	I2ADR.1	I2ADR.0	GC	00H	00000000
			DF	DE	DD	DC	DB	DA	D9	D8		
I2CON*#	I ² C Control Register	D8H	-	I2EN	STA	STO	SI	AA	-	CRSEL	00H	x00000x0
I2DAT#	I ² C Data Register	DAH										
I2SCLH#	Serial Clock Generator/SCL Duty Cycle Register High	DDH								00H	00000000	

General Description

P89LPC930/931

Name	Description	SFR Address	Bit Functions and Addresses								Reset Value	
			MSB				LSB				Hex	Binary
I2SCLL#	Serial Clock Generator/SCL Duty Cycle Register Low	DCH									00H	00000000
I2STAT#	I ² C Status Register	D9H	STA.4	STA.3	STA.2	STA.1	STA.0	0	0	0	F8H	11111000
IEN0*	Interrupt Enable 0	A8H	AF	AE	AD	AC	AB	AA	A9	A8	00H	00000000
IEN1*#	Interrupt Enable 1	E8H	EA	EWDRT	EBO	ES/ESR	ET1	EX1	ET0	EX0	00H ¹	00x000000
IP0*	Interrupt Priority 0	B8H	EF	EE	ED	EC	EB	EA	E9	E8	00H ¹	x0000000
IP0H#	Interrupt Priority 0 High	B7H	-	EST	-	-	ESPI	EC	EKBI	EI2C	00H ¹	x0000000
IP1*#	Interrupt Priority 1	F8H	BF	BE	BD	BC	BB	BA	B9	B8	00H ¹	00x000000
IP1H#	Interrupt Priority 1 High	F7H	-	PWDRT	PBO	PS/PSR	PT1	PX1	PT0	PX0	00H ¹	x0000000
KBCON#	Keypad Control Register	94H	-	PWDRT H	PBOH	PSH/ PSRH	PT1H	PX1H	PT0H	PX0H	00H ¹	xxxxxx00
KBMASK#	Keypad Interrupt Mask Register	86H	FF	FE	FD	FC	FB	FA	F9	F8	00H	00000000
KBPATN#	Keypad Pattern Register	93H	-	PST	-	-	PSPI	PC	PKBI	PI2C	FFH	11111111
P0*	Port 0	80H	-	PSTH	-	-	PSPIH	PCH	PKBIH	PI2CH	00H ¹	00x000000
P1*	Port 1	90H	-	-	-	-	-	-	PATN _SEL	KBIF	00H ¹	xxxxxx00
P2*	Port 2	A0H	87	86	85	84	83	82	81	80	00H	00000000
P3*	Port 3	B0H	T1/KB7	CMP1/ KB6	CMPREF/ KB5	CIN1A/ KB4	CIN1B/ KB3	CIN2A/ KB2	CIN2B/ KB1	CMP2/ KB0	Note 1	
P0M1#	Port 0 Output Mode 1	84H	97	96	95	94	93	92	91	90	Note 1	
P0M2#	Port 0 Output Mode 2	85H	-	-	RST	INT1	INT0/ SDA	T0/SCL	RxD	TxD	Note 1	
P1M1#	Port 1 Output Mode 1	91H	A7	A6	A5	A4	A3	A2	A1	A0	Note 1	
P1M2#	Port 1 Output Mode 2	92H	-	-	SPICLK	SS	MISO	MOSI	-	-	Note 1	
P2M1#	Port 2 Output Mode 1	A4H	B7	B6	B5	B4	B3	B2	B1	B0	Note 1	
P2M2#	Port 2 Output Mode 2	A5H	-	-	-	-	-	-	XTAL1	XTAL2	Note 1	
P3M1#	Port 3 Output Mode 1	B1H	(P0M1.7)	(P0M1.6)	(P0M1.5)	(P0M1.4)	(P0M1.3)	(P0M1.2)	(P0M1.1)	(P0M1.0)	FFH	11111111
P3M2#	Port 3 Output Mode 2	B2H	(P0M2.7)	(P0M2.6)	(P0M2.5)	(P0M2.4)	(P0M2.3)	(P0M2.2)	(P0M2.1)	(P0M2.0)	00H	00000000
			(P1M1.7)	(P1M1.6)	-	(P1M1.4)	(P1M1.3)	(P1M1.2)	(P1M1.1)	(P1M1.0)	D3H ¹	11x1xx11
			(P1M2.7)	(P1M2.6)	-	(P1M2.4)	(P1M2.3)	(P1M2.2)	(P1M2.1)	(P1M2.0)	00H ¹	00x0xx00
			(P2M1.7)	(P2M1.6)	(P2M1.5)	(P2M1.4)	(P2M1.3)	(P2M1.2)	(P2M1.1)	(P2M1.0)	FFH	11111111
			(P2M2.7)	(P2M2.6)	(P2M2.5)	(P2M2.4)	(P2M2.3)	(P2M2.2)	(P2M2.1)	(P2M2.0)	00H	00000000
			-	-	-	-	-	-	(P3M1.1)	(P3M1.0)	03H ¹	xxxxxx11
			-	-	-	-	-	-	(P3M2.1)	(P3M2.0)	00H ¹	xxxxxx00

General Description

P89LPC930/931

Name	Description	SFR Address	Bit Functions and Addresses								Reset Value	
			MSB				LSB				Hex	Binary
PCON#	Power Control Register	87H	SMOD1	SMOD0	BOPD	BOI	GF1	GF0	PMOD1	PMOD0	00H	00000000
PCONA#	Power Control Register A	B5H	RTCPD	-	VCPD		I2PD	SPPD	SPD	-	00H ¹	00000000
PSW*	Program Status Wword	D0H	D7	D6	D5	D4	D3	D2	D1	D0	00H	00000000
			CY	AC	F0	RS1	RS0	OV	F1	P		
PT0AD#	Port 0 Digital Input Disable	F6H	-	-	PT0AD.5	PT0AD.4	PT0AD.3	PT0AD.2	PT0AD.1	-	00H	xx00000x
RSTSRC#	Reset Source Register	DFH	-	-	BOF	POF	R_BK	R_WD	R_SF	R_EX		Note 2
RTCCON#	Real-Time Clock Control	D1H	RTCF	RTCS1	RTCS0	-	-	-	ERTC	RTCEN	60H ^{1,5}	011xxx00
RTCH#	Real-Time Clock Register High	D2H									00H ⁵	00000000
RTCL#	Real-Time Clock Register Low	D3H									00H ⁵	00000000
SADDR#	Serial Port Address Register	A9H									00H	00000000
SADEN#	Serial Port Address Enable	B9H									00H	00000000
SBUF	Serial Port Data Buffer Register	99H									xxH	xxxxxxxx
			9F	9E	9D	9C	9B	9A	99	98		
SCON*	Serial Port Control	98H	SM0/FE	SM1	SM2	REN	TB8	RB8	TI	RI	00H	00000000
SSTAT#	Serial Port Extended Status Register	BAH	DBMOD	INTLO	CIDIS	DBISEL	FE	BR	OE	STINT	00H	00000000
SP	Stack Pointer	81H									07H	0000111
SPCTL#	SPI Control Register	E2H	SSIG	SPEN	DORD	MSTR	CPOL	CPHA	SPR1	SPR0	04H	00001100
SPSTAT#	SPI Status Register	E1H	SPIF	WCOL	-	-	-	-	-	-	00H	00xxxxxx
SPDAT#	SPI Data Register	E3H									00H	00000000
TAMOD#	Timer 0 and 1 Auxiliary Mode	8FH	-	-	-	T1M2	-	-	-	T0M2	00H	xxx0xxx0
			8F	8E	8D	8C	8B	8A	89	88		
TCON*	Timer 0 and 1 Control	88H	TF1	TR1	TF0	TR0	IE1	IT1	IE0	IT0	00H	00000000
TH0	Timer 0 High	8CH									00H	00000000
TH1	Timer 1 High	8DH									00H	00000000
TL0	Timer 0 Low	8AH									00H	00000000
TL1	Timer 1 Low	8BH									00H	00000000
TMOD	Timer 0 and 1 Mode	89H	T1GATE	T1C/T	T1M1	T1M0	T0GATE	T0C/T	T0M1	T0M0	00H	00000000
TRIM#	Internal Oscillator Trim Register	96H	-	ENCLK	TRIM.5	TRIM.4	TRIM.3	TRIM.2	TRIM.1	TRIM.0		Notes 4,5

General Description

P89LPC930/931

Name	Description	SFR Address	Bit Functions and Addresses								Reset Value	
			MSB				LSB				Hex	Binary
WDCON#	Watchdog Control Register	A7H	PRE2	PRE1	PRE0	-	-	WDRUN	WDTOF	WDCLK	Notes 3,5	
WDL#	Watchdog Load	C1H									FFH	11111111
WFEEED1#	Watchdog Feed 1	C2H										
WFEEED2#	Watchdog Feed 2	C3H										

Notes:

- * SFRs are bit addressable.
 - # SFRs are modified from or added to the 80C51 SFRs.
 - Reserved bits, must be written with 0's.
 - § BRGR1 and BRGR0 must only be written if BRGEN in BRGCON SFR is '0'. If any of them is written if BRGEN = 1, result is unpredictable.
- Unimplemented bits in SFRs (labeled '-') are X (unknown) at all times. Unless otherwise specified, ones should not be written to these bits since they may be used for other purposes in future derivatives. The reset values shown for these bits are '0's although they are unknown when read.
1. All ports are in input only (high impedance) state after power-up.
 2. The RSTSRC register reflects the cause of the LPC930/931 reset. Upon a power-up reset, all reset source flags are cleared except POF and BOF - the power-on reset value is xx110000.
 3. After reset, the value is 111001x1, i.e., PRE2-PRE0 are all 1, WDRUN=1 and WDCLK=1. WDTOF bit is 1 after watchdog reset and is 0 after power-on reset. Other resets will not affect WDTOF.
 4. On power-on reset, the TRIM SFR is initialized with a factory preprogrammed value. Other resets will not cause initialization of the TRIM register.
 5. The only reset source that affects these SFRs is power-on reset.

General Description

P89LPC930/931

Memory organization

The **P89LPC930/931** memory map is shown in Figure 1-1.

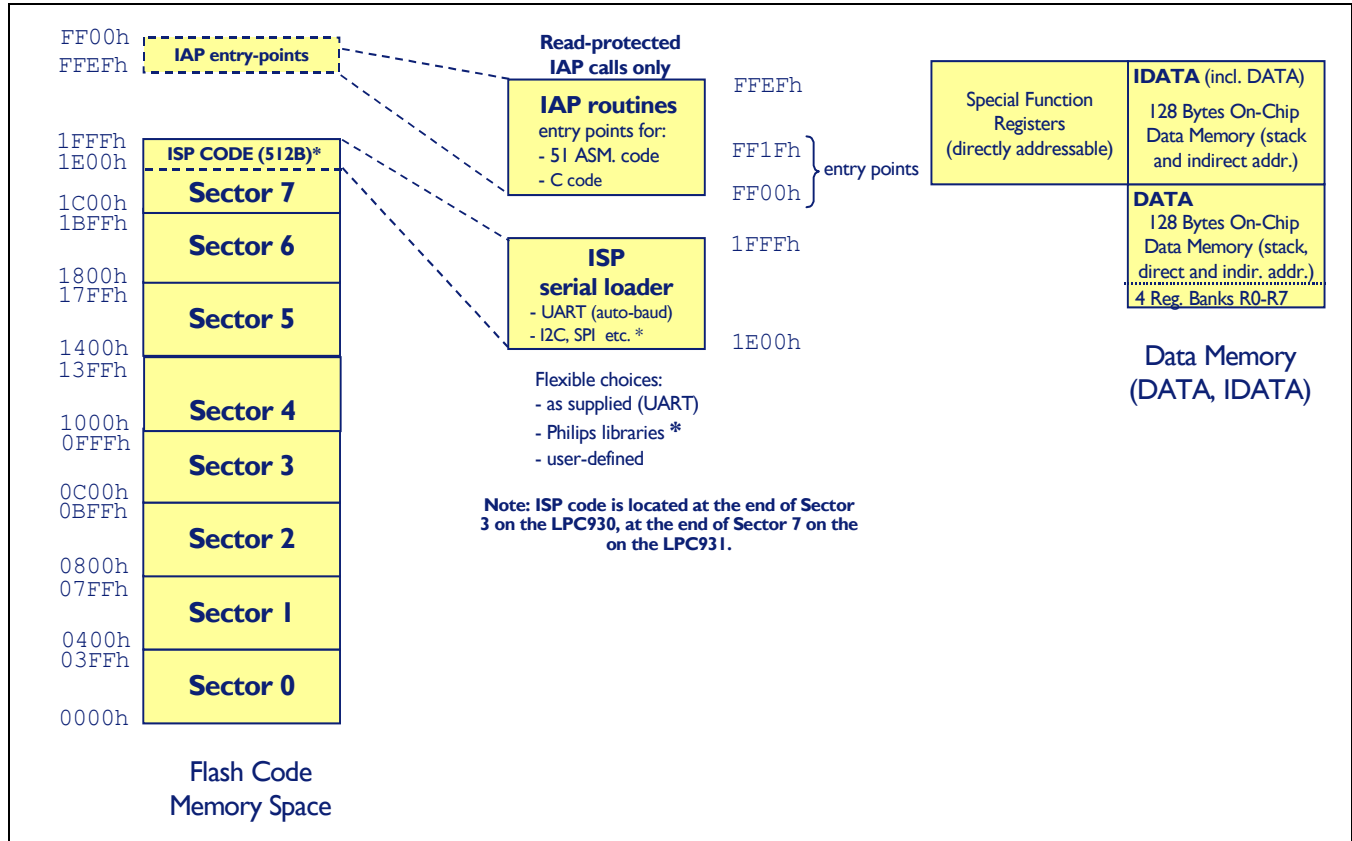


Figure 1-1: P89LPC930/931 memory map

The various **P89LPC930/931** memory spaces are as follows:

- DATA** 128 bytes of internal data memory space (00h..7Fh) accessed via direct or indirect addressing, using instructions other than MOVX and MOVC. All or part of the Stack may be in this area.
- IDATA** Indirect Data. 256 bytes of internal data memory space (00h:FFh) accessed via indirect addressing using instructions other than MOVX and MOVC. All or part of the Stack may be in this area. This area includes the DATA area and the 128 bytes immediately above it.
- SFR** Special Function Registers. Selected CPU registers and peripheral control and status registers, accessible only via direct addressing.
- CODE** 64 KB of Code memory space, accessed as part of program execution and via the MOVC instruction. The **P89LPC930/931** has 4 KB/ 8 KB of on-chip Code memory).

General Description

P89LPC930/931

DATA RAM ARRANGEMENT

The 256 bytes of on-chip RAM is organized as follows:

Type	Data RAM	Size (Bytes)
DATA	Memory that can be addressed directly and indirectly	128
IDATA	Memory that can be addressed indirectly (includes DATA)	256

Table 1-1: On-chip data memory usage.

CLOCKS

P89LPC930/931

2. CLOCKS

Enhanced CPU

The **P89LPC930/931** uses an enhanced 80C51 CPU which runs at 6 times the speed of standard 80C51 devices. A machine cycle consists of two CPU clock cycles, and most instructions execute in one or two machine cycles.

Clocks

Clock definitions

The **P89LPC930/931** device has several internal clocks as defined below:

- OSCCLK - Input to the DIVM clock divider. OSCCLK is selected from one of four clock sources (see Figure 2-3) and can also be optionally divided to a slower frequency (see section "CPU Clock (CCLK) modification: DIVM register").

Note: f_{OSC} is defined as the OSCCLK frequency.

- CCLK - CPU clock; output of the DIVM clock divider. There are two CCLK cycles per machine cycle, and most instructions are executed in one to two machine cycles (two or four CCLK cycles).
- RCCLK - The internal 7.373 MHz RC oscillator output.
- PCLK - Clock for the various peripheral devices and is CCLK/2.

Oscillator clock (OSCCLK)

The **P89LPC930/931** provides several user-selectable oscillator options. This allows optimization for a range of needs from high precision to lowest possible cost. These options are configured when the FLASH is programmed and include an on-chip watchdog oscillator, an on-chip RC oscillator, an oscillator using an external crystal, or an external clock source. The crystal oscillator can be optimized for low, medium, or high frequency crystals covering a range from 20 kHz to 12 MHz.

Low speed oscillator option

This option supports an external crystal in the range of 20 kHz to 100 kHz. Ceramic resonators are also supported in this configuration.

Medium speed oscillator option

This option supports an external crystal in the range of 100 kHz to 4 MHz. Ceramic resonators are also supported in this configuration.

High speed oscillator option

This option supports an external crystal in the range of 4 MHz to 12 MHz. Ceramic resonators are also supported in this configuration.

Clock output

The **P89LPC930/931** supports a user-selectable clock output function on the XTAL2 / CLKOUT pin when the crystal oscillator is not being used. This condition occurs if a different clock source has been selected (on-chip RC oscillator, watchdog oscillator, external clock input on X1) and if the Real-time Clock is not using the crystal oscillator as its clock source. This allows external devices to synchronize to the **P89LPC930/931**. This output is enabled by the ENCLK bit in the TRIM register

The frequency of this clock output is 1/2 that of the CCLK. If the clock output is not needed in Idle mode, it may be turned off prior to entering Idle, saving additional power. Note: on reset, the TRIM SFR is initialized with a factory preprogrammed value.

Therefore when setting or clearing the ENCLK bit, the user should retain the contents of bits 5:0 of the TRIM register. This can

CLOCKS

P89LPC930/931

be done by reading the contents of the TRIM register (into the ACC for example), modifying bit 6, and writing this result back into the TRIM register. Alternatively, the “ANL direct” or “ORL direct” instructions can be used to clear or set bit 6 of the TRIM register.

On-chip RC oscillator option

The **P89LPC930/931** has a 6-bit TRIM register that can be used to tune the frequency of the RC oscillator. During reset, the TRIM value is initialized to a factory pre-programmed value to adjust the oscillator frequency to 7.373 MHz, ±1%. (Note: the initial value is better than 1%; please refer to the datasheet for behavior over temperature). End user applications can write to the TRIM register to adjust the on-chip RC oscillator to other frequencies. Increasing the TRIM value will decrease the oscillator frequency.

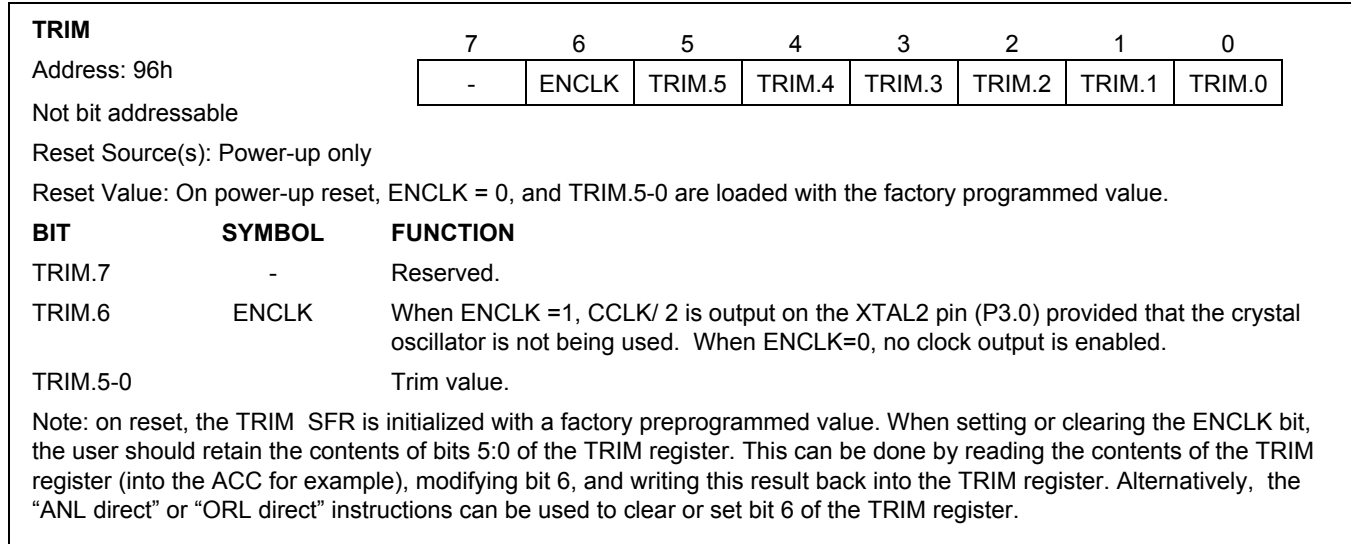


Figure 2-1: On-chip RC oscillator TRIM register

Watchdog oscillator option

The watchdog has a separate oscillator which has a frequency of 400 kHz. This oscillator can be used to save power when a high clock frequency is not needed.

External clock input option

In this configuration, the processor clock is derived from an external source driving the XTAL1 / P3.1 pin. The rate may be from 0 Hz up to 12 MHz. The XTAL2 / P3.0 pin may be used as a standard port pin or a clock output.

CLOCKS

P89LPC930/931

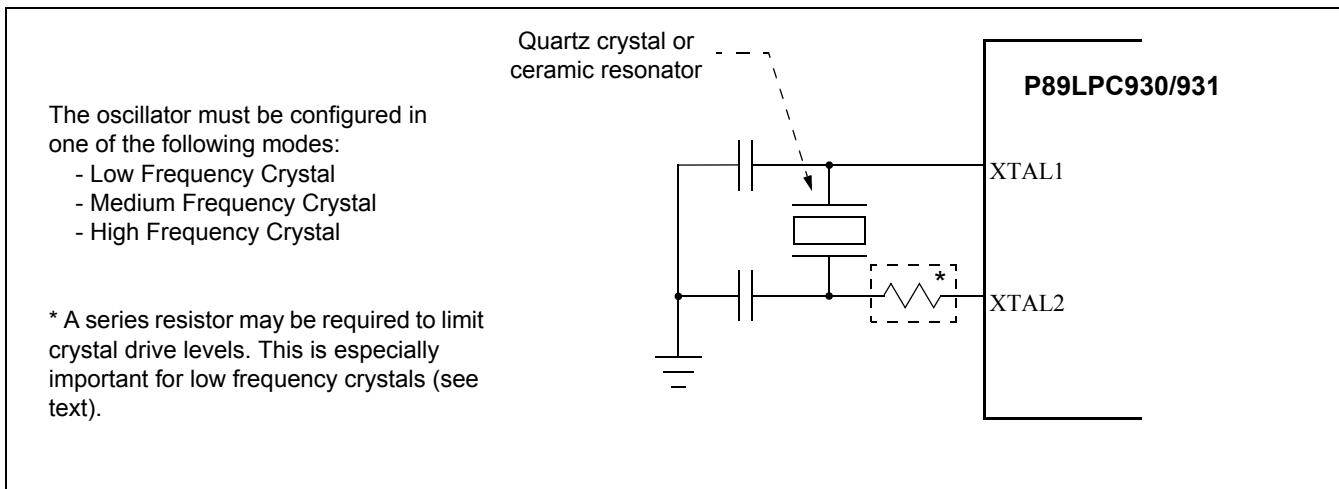


Figure 2-2: Using the crystal oscillator

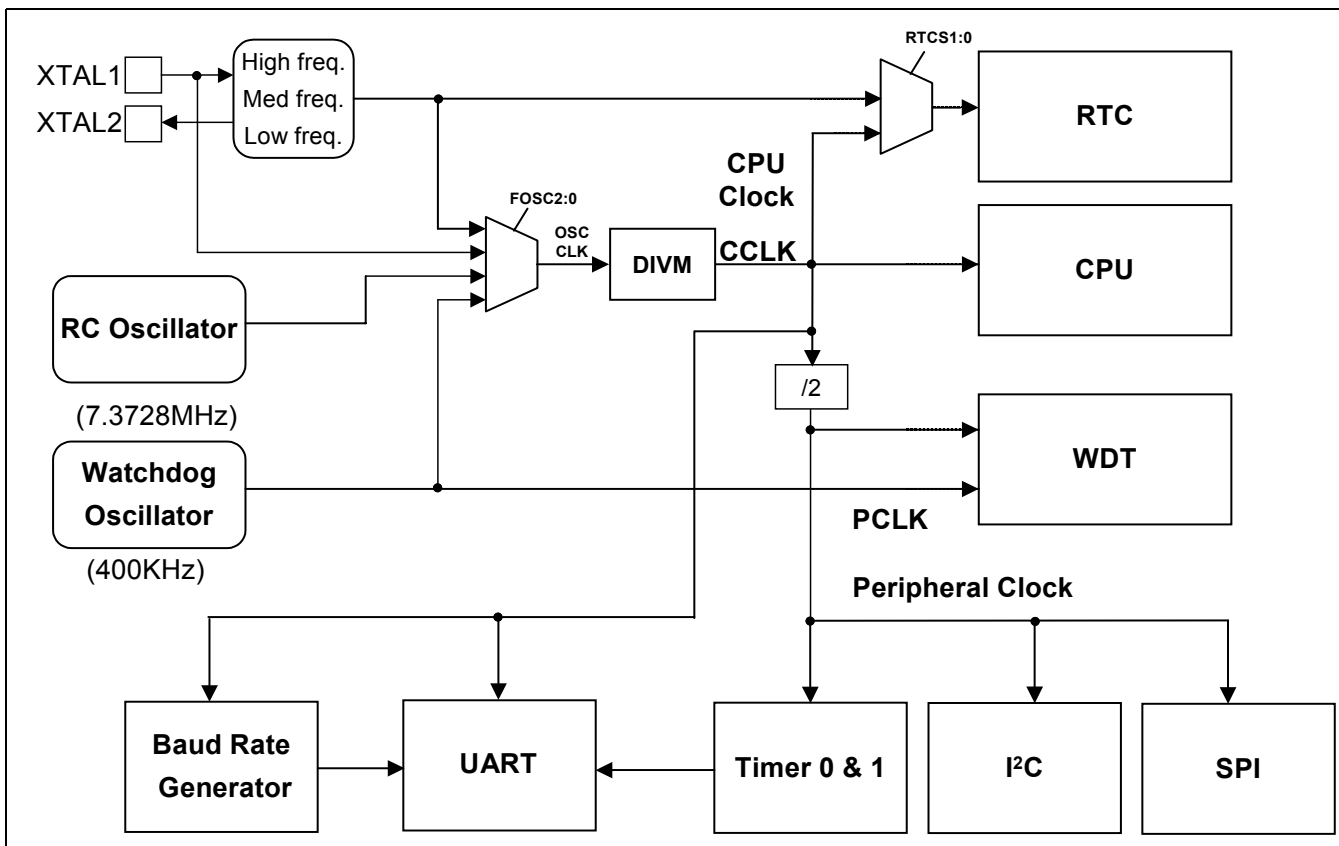


Figure 2-3: Block diagram of oscillator control

Oscillator Clock (OSCCLK) wakeup delay

The **P89LPC930/931** has an internal wakeup timer that delays the clock until it stabilizes depending to the clock source used. If the clock source is any of the three crystal selections, the delay is 992 OSCCLK cycles plus 60-100µs. If the clock source is either the internal RC oscillator or the Watchdog oscillator, the delay is 224 OSCCLK cycles plus 60-100µs.

CLOCKS

P89LPC930/931

CPU Clock (CCLK) modification: DIVM register

The OSCCLK frequency can be divided down, by an integer, up to 510 times by configuring a dividing register, DIVM, to provide CCLK. This produces the CCLK frequency using the following formula:

$$\text{CCLK frequency} = f_{\text{OSC}} / (2N)$$

Where: f_{OSC} is the frequency of OSCCLK

N is the value of DIVM.

Since N ranges from 1 to 255, the CCLK frequency can be in the range of f_{OSC} to $f_{\text{OSC}}/510$. For $N = 0$, $\text{CCLK} = f_{\text{OSC}}$.

This feature makes it possible to temporarily run the CPU at a lower rate, reducing power consumption. By dividing the clock, the CPU can retain the ability to respond to events other than those that can cause interrupts (i.e. events that allow exiting the Idle mode) by executing its normal program at a lower rate. This can often result in lower power consumption than in Idle mode. This can allow bypassing the oscillator start-up time in cases where Power down mode would otherwise be used. The value of DIVM may be changed by the program at any time without interrupting code execution.

Low power select

The **P89LPC930/931** is designed to run at 12 MHz (CCLK) maximum. However, if CCLK is 8 MHz or slower, the CLKLP SFR bit (AUXR1.7) can be set to a '1' to lower the power consumption further. On any reset, CLKLP is '0' allowing highest performance. This bit can then be set in software if CCLK is running at 8 MHz or slower.

INTERRUPTS

P89LPC930/931

3. INTERRUPTS

The **P89LPC930/931** uses a four priority level interrupt structure. This allows great flexibility in controlling the handling of the **P89LPC930/931**'s 13 interrupt sources.

Each interrupt source can be individually enabled or disabled by setting or clearing a bit in the interrupt enable registers IEN0 or IEN1. The IEN0 register also contains a global enable bit, EA, which enables all interrupts.

Each interrupt source can be individually programmed to one of four priority levels by setting or clearing bits in the interrupt priority registers IP0, IP0H, IP1, and IP1H. An interrupt service routine in progress can be interrupted by a higher priority interrupt, but not by another interrupt of the same or lower priority. The highest priority interrupt service cannot be interrupted by any other interrupt source. If two requests of different priority levels are received simultaneously, the request of higher priority level is serviced.

If requests of the same priority level are pending at the start of an instruction cycle, an internal polling sequence determines which request is serviced. This is called the arbitration ranking. Note that the arbitration ranking is only used for pending requests of the same priority level.

Table 3-2 summarizes the interrupt sources, flag bits, vector addresses, enable bits, priority bits, arbitration ranking, and whether each interrupt may wake up the CPU from a Power down mode.

Interrupt priority structure

There are four SFRs associated with the four interrupt levels: IP0, IP0H, IP1, IP1H. Every interrupt has two bits in IPx and IPxH (x = 0,1) and can therefore be assigned to one of four levels, as shown in Table 3-1.

Priority bits		Interrupt priority level
IPxH	IPx	
0	0	Level 0 (lowest priority)
0	1	Level 1
1	0	Level 2
1	1	Level 3 (highest priority)

Table 3-1: Interrupt priority level

INTERRUPTS

P89LPC930/931

Description	Interrupt flag bit(s)	Vector address	Interrupt enable bit(s)	Interrupt priority	Arbitration ranking	Power down wakeup
External Interrupt 0	IE0	0003h	EX0 (IEN0.0)	IP0H.0, IP0.0	1 (highest)	Yes
Timer 0 Interrupt	TF0	000Bh	ET0 (IEN0.1)	IP0H.1, IP0.1	4	No
External Interrupt 1	IE1	0013h	EX1 (IEN0.2)	IP0H.2, IP0.2	7	Yes
Timer 1 Interrupt	TF1	001Bh	ET1 (IEN0.3)	IP0H.3, IP0.3	10	No
Serial Port Tx and Rx ^{1,3}	TI & RI	0023h	ES/ESR (IEN0.4)	IP0H.4, IP0.4	13	No
Serial Port Rx ^{1,3}	RI					
Brownout Detect	BOF	002Bh	EBO (IEN0.5)	IP0H.5, IP0.5	2	Yes
Watchdog Timer/Real-time Clock	WDOVF/ RTCF	0053h	EWDRT (IEN0.6)	IP0H.6, IP0.6	3	Yes
I ² C Interrupt	SI	0033h	EI2C (IEN1.0)	IP1H.0, IP1.0	5	No
KBI Interrupt	KBIF	003Bh	EKBI (IEN1.1)	IP1H.1, IP1.1	8	Yes
Comparators 1/2 interrupt	CMF1/CMF2	0043h	EC (IEN1.2)	IP1H.2, IP1.2	11	Yes
SPI interrupt	SPIF	004Bh	ESP (IEN1.3)	IP1H.3, IP1.3	14	No
Reserved		0063h	(EN1.5)	IP1H.5, IP1.5	9	Yes
Serial Port Tx ²	TI	006Bh	EST (IEN1.6)	P1H.6, IP1.6	12	No

1. SSTAT.5 = 0 selects combined Serial Port (UART) Tx and Rx interrupt; SSTAT.5 = 1 selects Serial Port Rx interrupt only (Tx interrupt will be different, see Note 3 below).

2. This interrupt is used as Serial Port (UART) Tx interrupt if and only if SSTAT.5 = 1, and is disabled otherwise.

3. If SSTAT.0 = 1, the following Serial Port additional flag bits can cause this interrupt: FE, BR, OE

Table 3-2: Summary of interrupts

External Interrupt inputs

The **P89LPC930/931** has two external interrupt inputs in addition to the Keypad Interrupt function. The two interrupt inputs are identical to those present on the standard 80C51 microcontrollers.

These external interrupts can be programmed to be level-triggered or edge-triggered by clearing or setting bit IT1 or IT0 in Register TCON. If ITn = 0, external interrupt n is triggered by a low level detected at the INTn pin. If ITn = 1, external interrupt n is edge triggered. In this mode if consecutive samples of the INTn pin show a high level in one cycle and a low level in the next cycle, interrupt request flag IEn in TCON is set, causing an interrupt request.

Since the external interrupt pins are sampled once each machine cycle, an input high or low level should be held for at least one machine cycle to ensure proper sampling. If the external interrupt is edge-triggered, the external source has to hold the request pin high for at least one machine cycle, and then hold it low for at least one machine cycle. This is to ensure that the transition is detected and that interrupt request flag IEn is set. IEn is automatically cleared by the CPU when the service routine is called.

If the external interrupt is level-triggered, the external source must hold the request active until the requested interrupt is generated. If the external interrupt is still asserted when the interrupt service routine is completed, another interrupt will be generated. It is not necessary to clear the interrupt flag IEn when the interrupt is level sensitive, it simply tracks the input pin level.

If an external interrupt is enabled when the **P89LPC930/931** is put into Power down or Idle mode, the interrupt occurrence will cause the processor to wake up and resume operation. Refer to the section on Power Reduction Modes for details.

INTERRUPTS

P89LPC930/931

External Interrupt pin glitch suppression

All of the **P89LPC930/931** I/O pins, except $\overline{\text{SDA}}/\overline{\text{INT0}}/\text{P1.3}$ and $\overline{\text{SCL}}/\text{T0}/\text{P1.2}$, have glitch suppression circuits to reject short glitches (please refer to the **P89LPC930/931** datasheet, AC Electrical Characteristics for glitch filter specifications) . Therefore, $\overline{\text{INT1}}$ has glitch suppression while $\overline{\text{INT0}}$ does not.

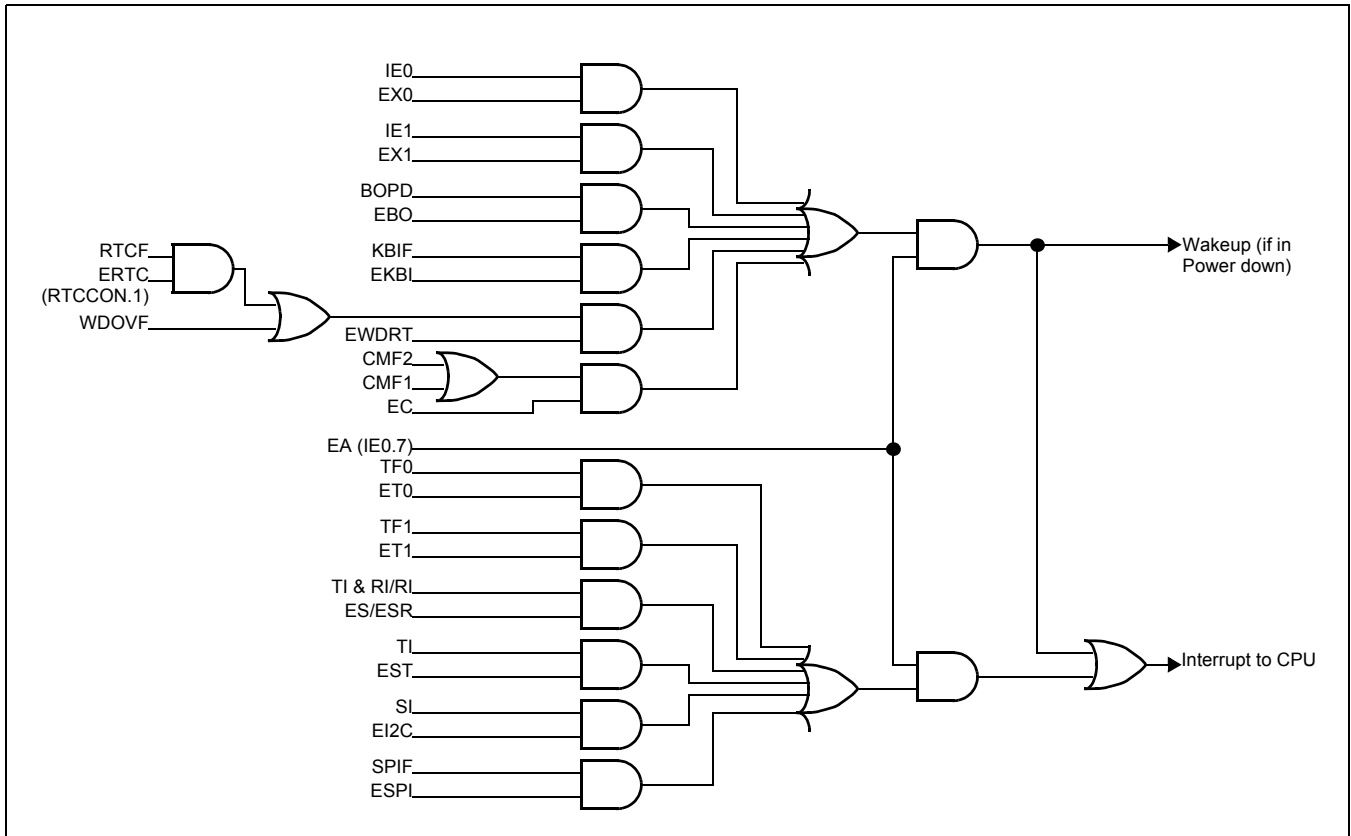


Figure 3-1: Interrupt sources, interrupt enables, and power down wake-up sources

INTERRUPTS

P89LPC930/931

I/O PORTS

P89LPC930/931

4. I/O PORTS

The **P89LPC930/931** has I/O ports: Port 0, Port 1, Port 2, and Port 3. Ports 0, 1, and 2 are 8-bit ports and Port 3 is a 2-bit port. The exact number of I/O pins available depends upon the clock and reset options chosen (see Table 4-1).

Clock source	Reset option	Number of I/O pins
On-chip oscillator or watchdog oscillator	No external reset (except during power-up)	26
	External $\overline{\text{RST}}$ pin supported	25
External clock input	No external reset (except during power-up)	25
	External $\overline{\text{RST}}$ pin supported	24
Low/medium/high speed oscillator (external crystal or resonator)	No external reset (except during power-up)	24
	External $\overline{\text{RST}}$ pin supported	23

Table 4-1: Number of I/O pins available.

Port configurations

All but three I/O port pins on the **P89LPC930/931** may be configured by software to one of four types on a pin-by-pin basis, as shown in Table 4-2. These are: quasi-bidirectional (standard 80C51 port outputs), push-pull, open drain, and input-only. Two configuration registers for each port select the output type for each port pin.

P1.5 ($\overline{\text{RST}}$) can only be an input and cannot be configured.

P1.2 (SCL/T0) and P1.3 (SDA/INT0) may only be configured to be either input-only or open drain.

PxM1.y	PxM2.y	Port output mode
0	0	Quasi-bidirectional
0	1	Push-Pull
1	0	Input Only (High Impedance)
1	1	Open Drain

Table 4-2: Port output configuration settings

Quasi-bidirectional output configuration

Quasi-bidirectional outputs can be used both as an input and output without the need to reconfigure the port. This is possible because when the port outputs a logic high, it is weakly driven, allowing an external device to pull the pin low. When the pin is driven low, it is driven strongly and able to sink a large current. There are three pull-up transistors in the quasi-bidirectional output that serve different purposes.

One of these pull-ups, called the “very weak” pull-up, is turned on whenever the port latch for the pin contains a logic 1. This very weak pull-up sources a very small current that will pull the pin high if it is left floating.

A second pull-up, called the “weak” pull-up, is turned on when the port latch for the pin contains a logic 1 and the pin itself is also at a logic 1 level. This pull-up provides the primary source current for a quasi-bidirectional pin that is outputting a 1. If this pin is pulled low by an external device, the weak pull-up turns off, and only the very weak pull-up remains on. In order to pull the pin low under these conditions, the external device has to sink enough current to overpower the weak pull-up and pull the port pin below its input threshold voltage.

I/O PORTS

P89LPC930/931

The third pull-up is referred to as the “strong” pull-up. This pull-up is used to speed up low-to-high transitions on a quasi-bidirectional port pin when the port latch changes from a logic 0 to a logic 1. When this occurs, the strong pull-up turns on for two CPU clocks quickly pulling the port pin high .

The quasi-bidirectional port configuration is shown in Figure 4-1.

Although the **P89LPC930/931** is a 3 V device most of the pins are 5 V-tolerant. If 5 V is applied to a pin configured in quasi-bidirectional mode, there will be a current flowing from the pin to V_{DD} causing extra power consumption. Therefore, applying 5 V to pins configured in quasi-bidirectional mode is discouraged.

A quasi-bidirectional port pin has a Schmitt-triggered input that also has a glitch suppression circuit.

(Please refer to the **P89LPC930/931** datasheet, AC Electrical Characteristics for glitch filter specifications)

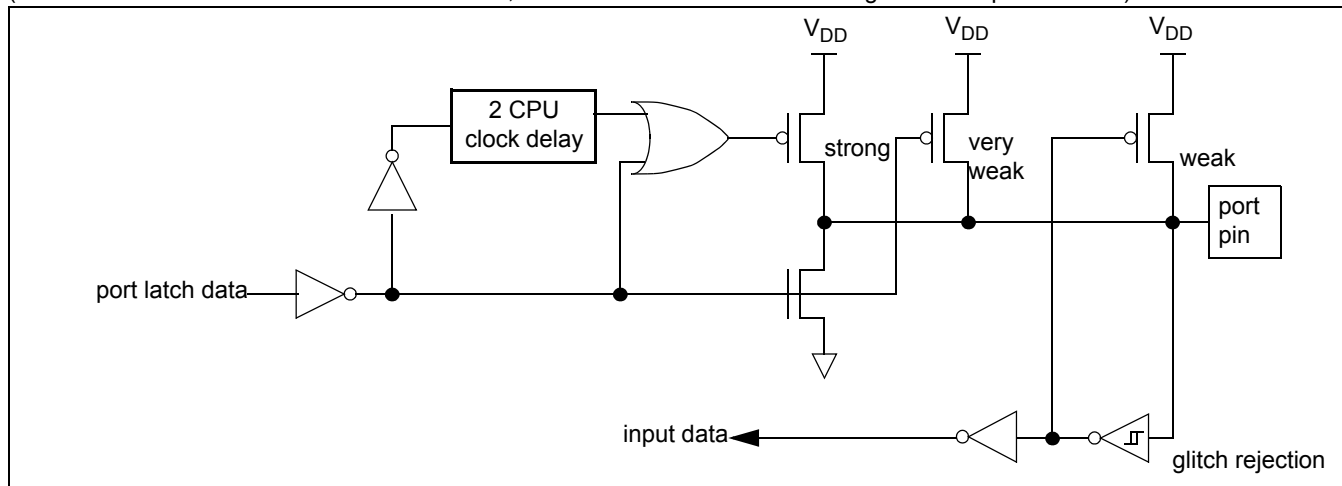


Figure 4-1: Quasi-bidirectional output

Open drain output configuration

The open drain output configuration turns off all pull-ups and only drives the pulldown transistor of the port pin when the port latch contains a logic 0. To be used as a logic output, a port configured in this manner must have an external pull-up, typically a resistor tied to V_{DD} . The pulldown for this mode is the same as for the quasi-bidirectional mode.

The open drain port configuration is shown in Figure 4-2.

An open drain port pin has a Schmitt-triggered input that also has a glitch suppression circuit.

Please refer to the **P89LPC930/931** datasheet, AC Electrical Characteristics for glitch filter specifications).

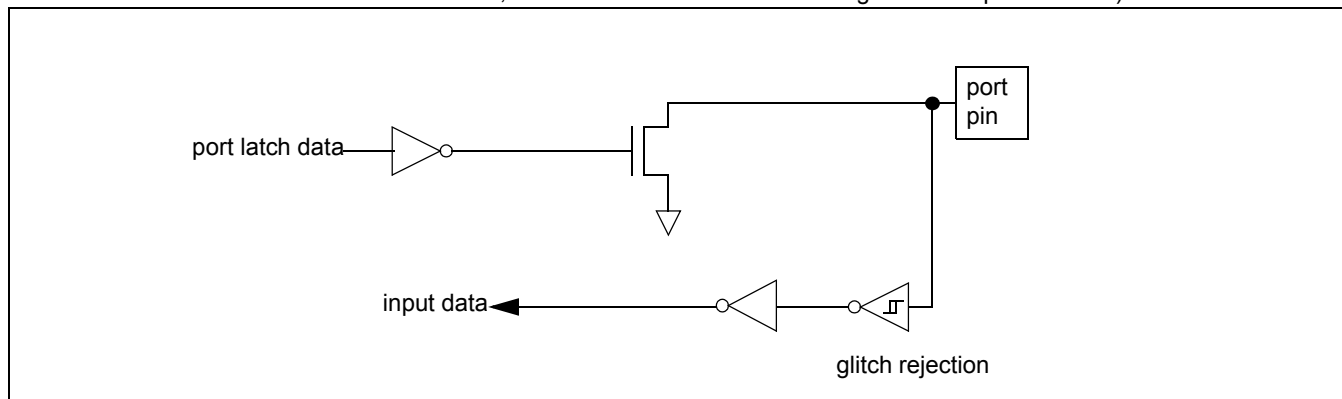


Figure 4-2: Open drain output

Input-only configuration

I/O PORTS

P89LPC930/931

The input port configuration is shown in Figure 4-3. It is a Schmitt-triggered input that also has a glitch suppression circuit.

(Please refer to the **P89LPC930/931** datasheet, AC Electrical Characteristics for glitch filter specifications)

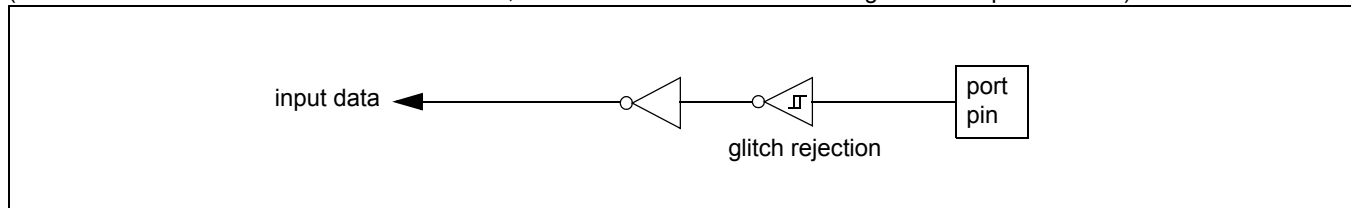


Figure 4-3: Input -only

Push-pull output configuration

The push-pull output configuration has the same pulldown structure as both the open drain and the quasi-bidirectional output modes, but provides a continuous strong pull-up when the port latch contains a logic 1. The push-pull mode may be used when more source current is needed from a port output.

The push-pull port configuration is shown in Figure 4-4.

A push-pull port pin has a Schmitt-triggered input that also has a glitch suppression circuit.

(Please refer to the **P89LPC930/931** datasheet, AC Electrical Characteristics for glitch filter specifications)

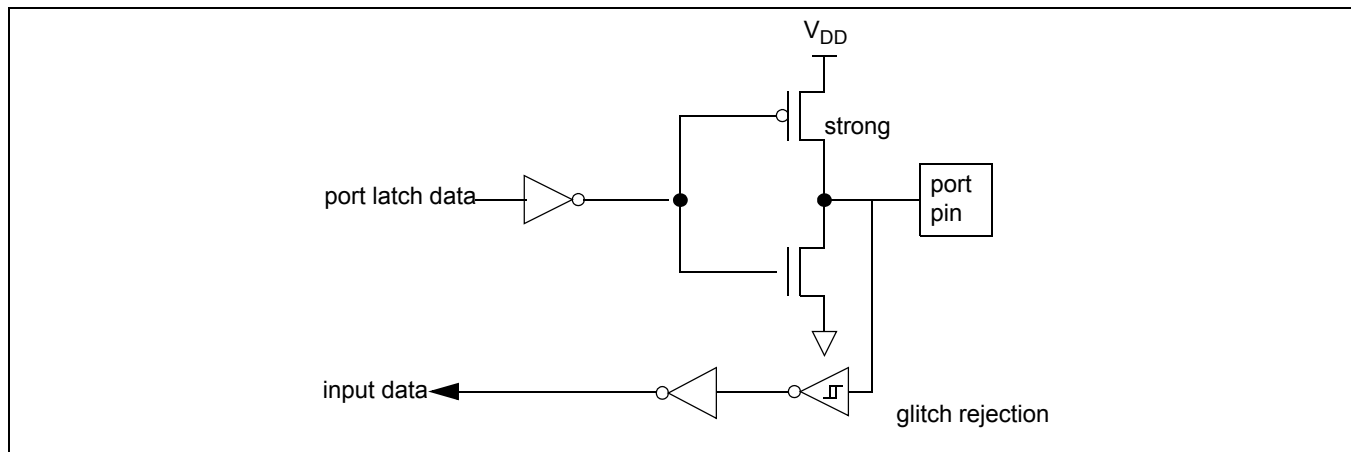


Figure 4-4: Push-pull output

Port 0 analog functions

The **P89LPC930/931** incorporates two Analog Comparators. In order to give the best analog performance and minimize power consumption, pins that are being used for analog functions must have both the digital outputs and digital inputs disabled.

Digital outputs are disabled by putting the port pins into the input-only mode as described in the Port Configurations section (see Table 4-2).

Digital inputs on Port 0 may be disabled through the use of the PT0AD register. Bits 1 through 5 in this register correspond to pins P0.1 through P0.5 of Port 0, respectively. Setting the corresponding bit in PT0AD disables that pin's digital input. Port bits that have their digital inputs disabled will be read as 0 by any instruction that accesses the port.

On any reset, PT0AD bits 1 through 5 default to '0's to enable the digital functions.

I/O PORTS

P89LPC930/931

Port pin	Configuration SFR bits		Alternate usage	Notes
	PxM1.y	PxM2.y		
P0.0	P0M1.0	P0M2.0	KBI0,CMP2	
P0.1	P0M1.1	P0M2.1	KBI1,CIN2B	Refer to section "Port 0 analog functions" for usage as analog inputs (CIN2B, CIN2A, CIN1B, CIN1A and CMPREF)
P0.2	P0M1.2	P0M2.2	KBI2,CIN2A	
P0.3	P0M1.3	P0M2.3	KBI3,CIN1B	
P0.4	P0M1.4	P0M2.4	KBI4,CIN1A	
P0.5	P0M1.5	P0M2.5	KBI5,CMPREF	
P0.6	P0M1.6	P0M2.6	KBI6,CMP1	
P0.7	P0M1.7	P0M2.7	KBI7,T1	
P1.0	P1M1.0	P1M2.0	TxD	
P1.1	P1M1.1	P1M2.1	RxD	
P1.2	P1M1.2	P1M2.2	T0,SCL	input-only or open-drain
P1.3	P1M1.3	P1M2.3	$\overline{\text{INT0}}$,SDA	input-only or open-drain
P1.4	P1M1.4	P1M2.4	$\overline{\text{INT1}}$	
P1.5	not configurable		$\overline{\text{RST}}$	Input only. Usage as general purpose input or $\overline{\text{RST}}$ is determined by User Configuration Bit RPD (UCFG1.6). Always a reset input during a power-on sequence.
P1.6	P1M1.6	P1M2.6		
P1.7	P1M1.7	P1M2.7		
P2.0	P2M1.0	P2M2.0		
P2.1	P2M1.1	P2M2.1		
P2.2	P2M1.2	P2M2.2	MOSI	
P2.3	P2M1.3	P2M2.3	MISO	
P2.4	P2M1.4	P2M2.4	$\overline{\text{SS}}$	
P2.5	P2M1.5	P2M2.5	SPICLK	
P2.6	P2M1.6	P2M2.6		
P2.7	P2M1.7	P2M2.7		
P3.0	P3M1.0	P3M2.0	XTAL2,CLKOUT	
P3.1	P3M1.1	P3M2.1	XTAL1	

Table 4-3: Port output configuration

Additional port features

After power-up, all pins are in Input-Only mode. **Please note that this is different from the LPC76x series of devices.**

- After power-up, all I/O pins except P1.5, may be configured by software.
- Pin P1.5 is input only. Pins P1.2 and P1.3 are configurable for either input-only or open drain.

Every output on the **P89LPC930/931** has been designed to sink typical LED drive current. However, there is a maximum total output current for all ports which must not be exceeded. Please refer to the **P89LPC930/931** Datasheet for detailed specifications.

I/O PORTS

P89LPC930/931

All ports pins that can function as an output have slew rate controlled outputs to limit noise generated by quickly switching output signals. The slew rate is factory-set to approximately 10 ns rise and fall times.

I/O PORTS

P89LPC930/931

POWER MONITORING FUNCTIONS

P89LPC930/931

5. POWER MONITORING FUNCTIONS

The **P89LPC930/931** incorporates power monitoring functions designed to prevent incorrect operation during initial power-on and power loss or reduction during operation. This is accomplished with two hardware functions: Power-on Detect and Brownout Detect.

Brownout Detection

The Brownout Detect function determines if the power supply voltage drops below a certain level. The default operation for a Brownout Detection is to cause a processor reset. However, it may alternatively be configured to generate an interrupt by setting the BOI (PCON.4) bit and the EBO (IEN0.5) bit.

Enabling and disabling of Brownout Detection is done via the BOPD (PCON.5) bit, bit field PMOD1-0 (PCON.1-0) and user configuration bit BOE (UCFG1.5). If BOE is in an unprogrammed state, brownout is disabled regardless of PMOD1-0 and BOPD. If BOE is in a programmed state, PMOD1-0 and BOPD will be used to determine whether Brownout Detect will be disabled or enabled. PMOD1-0 is used to select the power reduction mode. If PMOD1-0 = '11', the circuitry for the Brownout Detection is disabled for lowest power consumption. BOPD defaults to '0', indicating brownout detection is enabled on power-on if BOE is programmed.

If Brownout Detection is enabled, the operating voltage range for V_{DD} is 2.7 V-3.6 V, and the brownout condition occurs when V_{DD} falls below the Brownout trip voltage, V_{BO} (see D.C. Electrical Characteristics), and is negated when V_{DD} rises above V_{BO} . If Brownout Detection is disabled, the operating voltage range for V_{DD} is 2.4 V-3.6 V. If the **P89LPC930/931** device is to operate with a power supply that can be below 2.7 V, BOE should be left in the unprogrammed state so that the device can operate at 2.4 V, otherwise continuous brownout reset may prevent the device from operating.

If Brownout Detect is enabled (BOE programmed, PMOD1-0 \neq '11', BOPD = 0), BOF (RSTSRC.5) will be set when a brownout is detected, regardless of whether a reset or an interrupt is enabled. BOF will stay set until it is cleared in software by writing '0' to the bit. Note that if BOE is unprogrammed, BOF is meaningless. If BOE is programmed, and a initial power-on occurs, BOF will be set in addition to the power-on flag (POF - RSTSRC.4).

For correct activation of Brownout Detect, certain V_{DD} rise and fall times must be observed. Please see the datasheet for specifications.

POWER MONITORING FUNCTIONS

P89LPC930/931

BOE (UCFG1.5)	PMOD1-0 (PCON.1-0)	BOPD (PCON.5)	BOI (PCON.4)	EBO (IEN0.5)	EA (IEN0.7)	Description		
0 (erased)	XX	X	X	X	X	Brownout disabled. V_{DD} operating range is 2.4 V-3.6 V.		
1 (programmed)	11 (total power down)	X	X	X	X			
	≠ 11 (any mode other than total power down)	1 (brownout detect powered down)	X	X	X	Brownout disabled. V_{DD} operating range is 2.4 V-3.6 V. However, BOPD is default to '0' upon power-up.		
		0 (brownout detect active)	0 (brownout detect generates reset)	X	X	X	Brownout reset enabled. V_{DD} operating range is 2.7 V-3.6 V. Upon a brownout reset, BOF (RSTSRC.5) will be set to indicate the reset source. BOF can be cleared by writing '0' to the bit.	
			1 (brownout detect generates an interrupt)	1 (enable brownout interrupt)	1 (global interrupt enable)	1 (global interrupt enable)	1 (global interrupt enable)	Brownout interrupt enabled. V_{DD} operating range is 2.7 V-3.6 V. Upon a brownout interrupt, BOF (RSTSRC.5) will be set. BOF can be cleared by writing '0' to the bit.
				0	0	X	X	Both brownout reset and interrupt disabled. V_{DD} operating range is 2.4 V-3.6 V. However, BOF (RSTSRC.5) will be set when V_{DD} falls to the Brownout Detection trip point. BOF can be cleared by writing '0' to the bit.
X	X	X	0	0				

Table 5-1: Brownout options

Power-on Detection

The Power-On Detect has a function similar to the Brownout Detect, but is designed to work as power initially comes up, before the power supply voltage reaches a level where the Brownout Detect can function. The POF flag (RSTSRC.4) is set to indicate an initial power-on condition. The POF flag will remain set until cleared by software by writing '0' to the bit. Note that if BOE (UCFG1.5) is programmed, BOF (RSTSRC.5) will be set when POF is set. If BOE is unprogrammed, BOF is meaningless.

Power reduction modes

The P89LPC930/931 supports three different power reduction modes as determined by SFR bits PCON.1-0 (see Table 5-2):

POWER MONITORING FUNCTIONS

P89LPC930/931

PMOD1 (PCON.1)	PMOD0 (PCON.0)	Description
0	0	Normal mode (default) - no power reduction.
0	1	Idle mode. The Idle mode leaves peripherals running in order to allow them to activate the processor when an interrupt is generated. Any enabled interrupt source or reset may terminate Idle mode.
1	0	<p>Power down mode: The Power down mode stops the oscillator in order to minimize power consumption. The P89LPC930/931 exits Power down mode via any reset, or certain interrupts - external pins $\overline{\text{INT0}}$/$\overline{\text{INT1}}$, brownout Interrupt, keyboard, Real-time Clock/System Timer), watchdog, and comparator trips. Waking up by reset is only enabled if the corresponding reset is enabled, and waking up by interrupt is only enabled if the corresponding interrupt is enabled and the EA SFR bit (IEN0.7) is set. In Power down mode the internal RC oscillator is disabled unless both the RC oscillator has been selected as the system clock AND the RTC is enabled. In Power down mode, the power supply voltage may be reduced to the RAM keep-alive voltage V_{RAM}. This retains the RAM contents at the point where Power down mode was entered. SFR contents are not guaranteed after V_{DD} has been lowered to V_{RAM}, therefore it is recommended to wake up the processor via Reset in this situation. V_{DD} must be raised to within the operating range before the Power down mode is exited.</p> <p>When the processor wakes up from Power down mode, it will start the oscillator immediately and begin execution when the oscillator is stable. Oscillator stability is determined by counting 1024 CPU clocks after start-up when one of the crystal oscillator configurations is used, or 256 clocks after start-up for the internal RC or external clock input configurations.</p> <p>Some chip functions continue to operate and draw power during Power down mode, increasing the total power used during Power down. These include:</p> <ul style="list-style-type: none"> • Brownout Detect • Watchdog Timer if WDCLK (WDCON.0) is '1'. • Comparators (Note: Comparators can be powered down separately with PCONA.5 set to '1' and comparators disabled); • Real-time Clock/System Timer (and the crystal oscillator circuitry if this block is using it, unless RTCPD, i.e., PCONA.7 is '1').
1	1	<p>Total power down mode: This is the same as Power down mode except that the Brownout Detection circuitry and the voltage comparators are also disabled to conserve additional power. Note that a brownout reset or interrupt will not occur. Voltage comparator interrupts and Brownout interrupt cannot be used as a wakeup source. The internal RC oscillator is disabled unless both the RC oscillator has been selected as the system clock AND the RTC is enabled.</p> <p>The following are the wakeup options supported:</p> <ul style="list-style-type: none"> • Watchdog Timer if WDCLK (WDCON.0) is '1'. Could generate Interrupt or Reset, either one can wake up the device • External interrupts INTO/INT1 • Keyboard Interrupt • Real-time Clock/System Timer (and the crystal oscillator circuitry if this block is using it, unless RTCPD, i.e., PCONA.7 is '1'). • Note: Using the internal RC-oscillator to clock the RTC during Power down may result in relatively high power consumption. Lower power consumption can be achieved by using an external low frequency clock when the Real-time Clock is running during Power down.

Table 5-2: Power reduction modes.

POWER MONITORING FUNCTIONS

P89LPC930/931

PCON		7	6	5	4	3	2	1	0
Address: 87h		SMOD1	SMOD0	BOPD	BOI	GF1	GF0	PMOD1	PMOD0
Not bit addressable									
Reset Source(s): Any reset									
Reset Value: 00000000B									
BIT	SYMBOL	FUNCTION							
PCON.7	SMOD1	Double Baud Rate bit for the serial port (UART) when Timer 1 is used as the baud rate source. When 1, the Timer 1 overflow rate is supplied to the UART. When 0, the Timer 1 overflow rate is divided by two before being supplied to the UART. (See Figure 9-2)							
PCON.6	SMOD0	Framing Error Location: -When 0, bit 7 of SCON is accessed as SM0 for the UART. -When 1, bit 7 of SCON is accessed as the framing error status (FE) for the UART. This bit also determines the location of the UART receiver interrupt RI (see description on RI in Figure 9-3).							
PCON.5	BOPD	Brownout Detect Power down. When 1, Brownout Detect is powered down and therefore disabled. When 0, Brownout Detect is enabled. (Note: BOPD must be '0' before any programming or erasing commands can be issued. Otherwise these commands will be aborted.)							
PCON.4	BOI	Brownout Detect Interrupt Enable. When 1, Brownout Detection will generate a interrupt . When 0, Brownout Detection will cause a reset.							
PCON.3	GF1	General Purpose Flag 1. May be read or written by user software, but has no effect on operation.							
PCON.2	GF0	General Purpose Flag 0. May be read or written by user software, but has no effect on operation.							
PCON.1-0	PMOD1-PMOD0	Power Reduction Mode (see section "Power reduction modes").							

Figure 5-1: Power Control register (PCON)

POWER MONITORING FUNCTIONS

P89LPC930/931

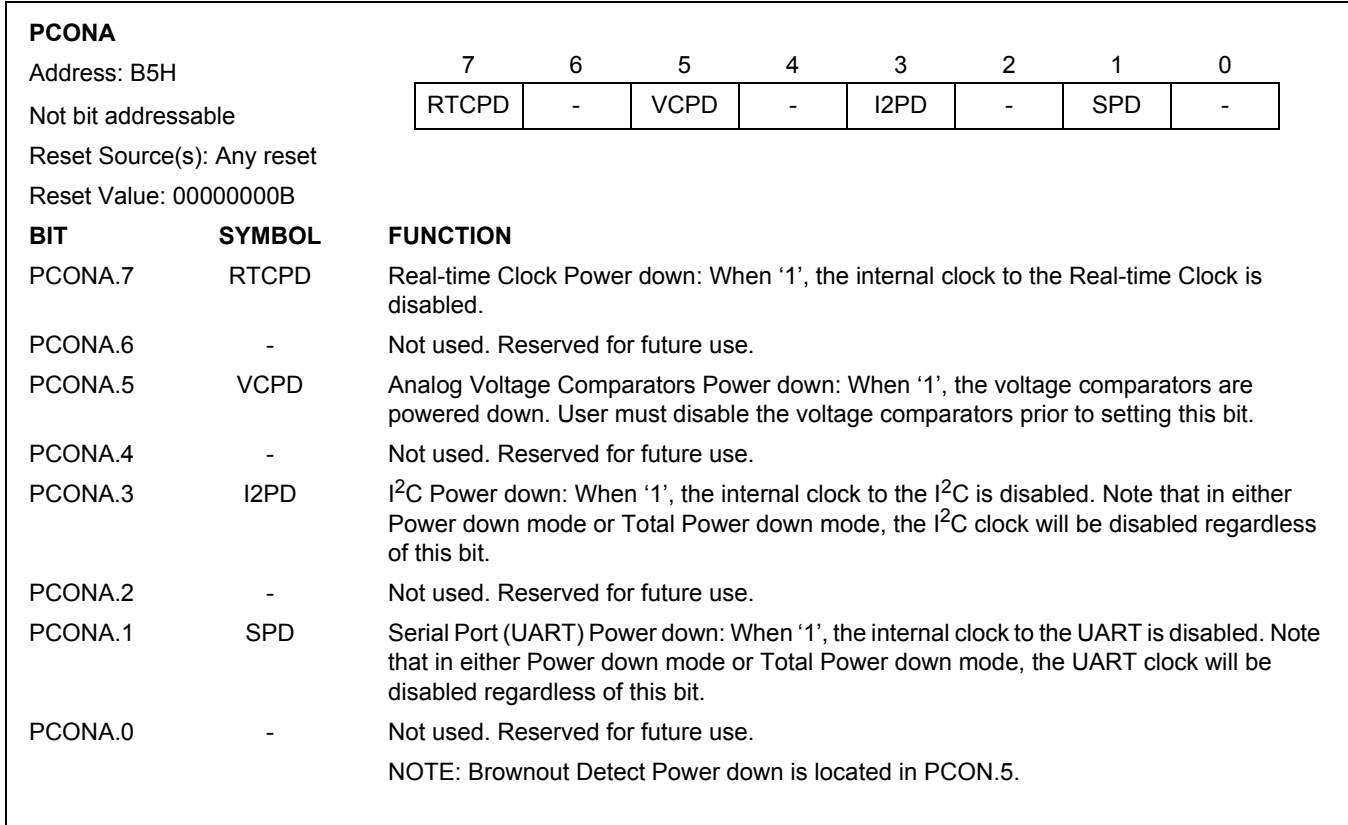


Figure 5-2: Power Control register A (PCONA)

POWER MONITORING FUNCTIONS

P89LPC930/931

RESET

P89LPC930/931

6. RESET

The P1.5/ $\overline{\text{RST}}$ pin can function as either an active low reset input or as a digital input, P1.5. The RPE (Reset Pin Enable) bit in UCFG1, when set to 1, enables the external reset input function on P1.5. When cleared, P1.5 may be used as an input pin.

NOTE: During a power-on sequence, The RPE selection is overridden and this pin will always function as a reset input. An external circuit connected to this pin should not hold this pin low during a Power-on sequence as this will keep the device in reset. After power-on this input will function either as an external reset input or as a digital input as defined by the RPE bit. Only a power-on reset will temporarily override the selection defined by RPE bit. Other sources of reset will not override the RPE bit.

NOTE: During a power cycle, V_{DD} must fall below V_{POR} (see "DC electrical characteristics" in the datasheet) before power is reapplied, in order to ensure a power-on reset.

Reset can be triggered from the following sources (see Figure 6-1):

- External reset pin (during power-on or if user configured via UCFG1);
- Power-on Detect;
- Brownout Detect;
- Watchdog Timer;
- Software reset;
- UART break detect reset.

For every reset source, there is a flag in the Reset Register, RSTSRC. The user can read this register to determine the most recent reset source. These flag bits can be cleared in software by writing a '0' to the corresponding bit. More than one flag bit may be set:

- During a power-on reset, both POF and BOF are set but the other flag bits are cleared.
- For any other reset, any previously set flag bits that have not been cleared will remain set.

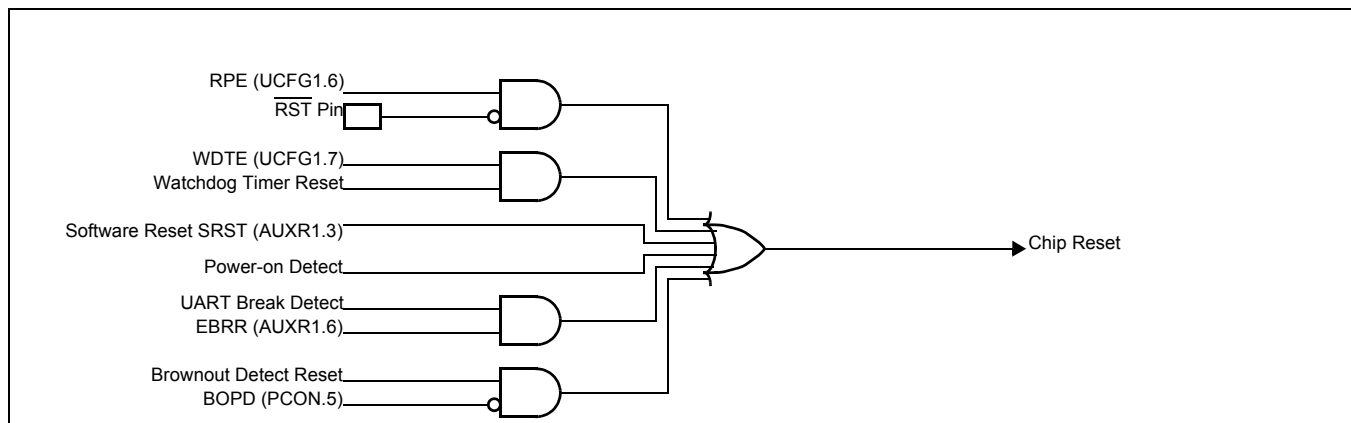


Figure 6-1: Block diagram of Reset

RESET

P89LPC930/931

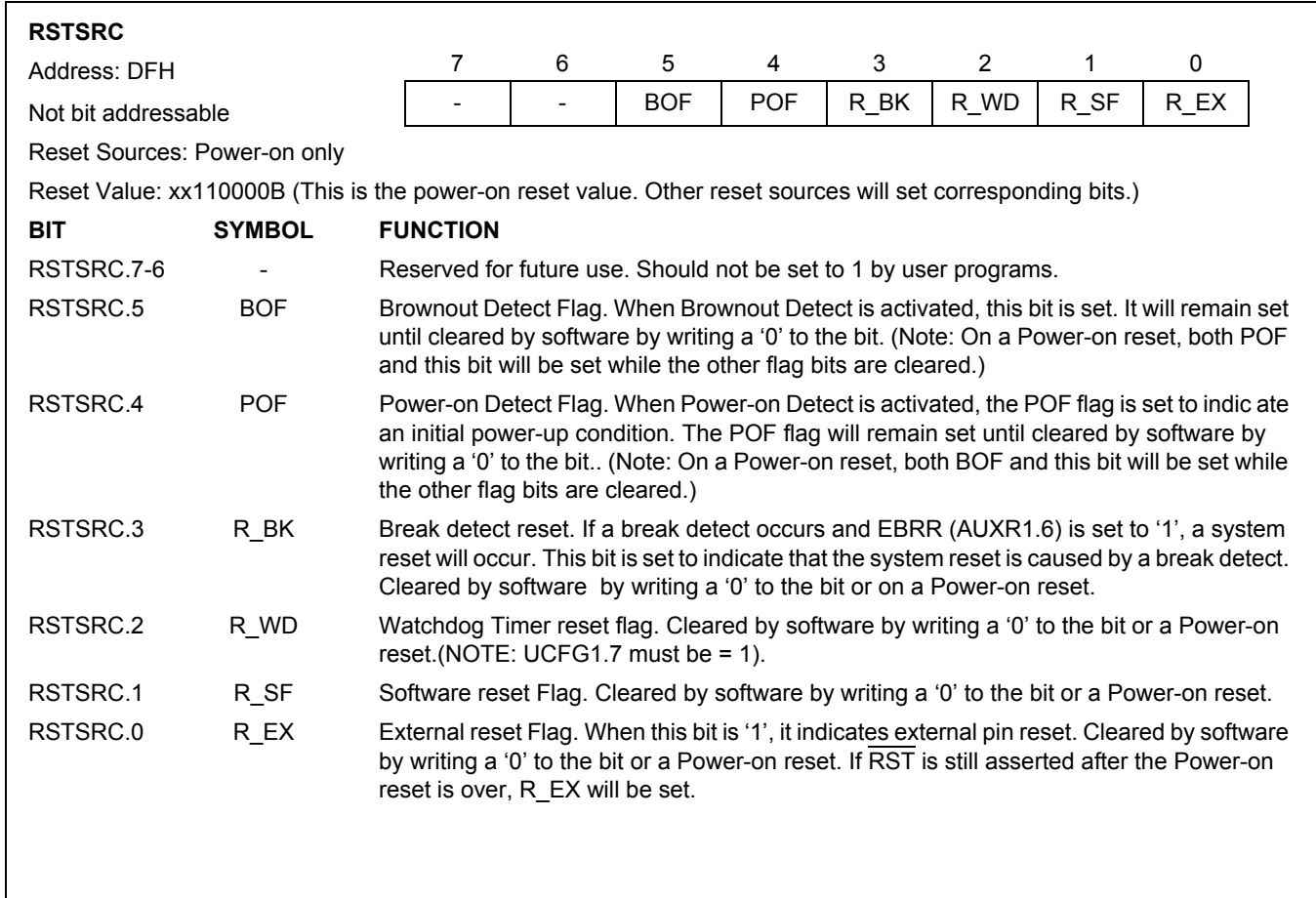


Figure 6-2: Reset Sources register

Reset vector

Following reset, the **P89LPC930/931** will fetch instructions from either address 0000h or the Boot address. The Boot address is formed by using the Boot Vector as the high byte of the address and the low byte of the address =00h. The Boot address will be used if a UART break reset occurs or the non-volatile Boot Status bit (BOOTSTAT.0) = 1, or the device has been forced into ISP mode. Otherwise, instructions will be fetched from address 0000H.

TIMERS 0 AND 1

P89LPC930/931

7. TIMERS 0 AND 1

The **P89LPC930/931** has two general-purpose counter/timers which are upward compatible with the 80C51 Timer 0 and Timer 1. Both can be configured to operate either as timers or event counters (see Figure 7-1). An option to automatically toggle the Tx pin upon timer overflow has been added.

In the "Timer" function, the register is incremented every PCLK.

In the "Counter" function, the register is incremented in response to a 1-to-0 transition on its corresponding external input pin (T0 or T1). The external input is sampled once during every machine cycle. When the pin is high during one cycle and low in the next cycle, the count is incremented. The new count value appears in the register during the cycle following the one in which the transition was detected. Since it takes 2 machine cycles (4 CPU clocks) to recognize a 1-to-0 transition, the maximum count rate is 1/4 of the CPU clock frequency. There are no restrictions on the duty cycle of the external input signal, but to ensure that a given level is sampled at least once before it changes, it should be held for at least one full machine cycle.

The "Timer" or "Counter" function is selected by control bits TnC/\bar{T} (x = 0 and 1 for Timers 0 and 1 respectively) in the Special Function Register TMOD. Timer 0 and Timer 1 have five operating modes (modes 0, 1, 2, 3 and 6), which are selected by bit-pairs (TnM1, TnM0) in TMOD and TnM2 in TAMOD. Modes 0, 1, 2 and 6 are the same for both Timers/Counters. Mode 3 is different. The operating modes are described later in this section.

TMOD		7	6	5	4	3	2	1	0
Address: 89h		T1GATE	T1C/ \bar{T}	T1M1	T1M0	T0GATE	T0C/ \bar{T}	T0M1	T0M0
Not bit addressable									
Reset Source(s): Any source									
Reset Value: 00000000B									
BIT	SYMBOL	FUNCTION							
TMOD.7	T1GATE	Gating control for Timer 1. When set, Timer/Counter is enabled only while the $\overline{INT1}$ pin is high and the TR1 control pin is set. When cleared, Timer 1 is enabled when the TR1 control bit is set.							
TMOD.6	T1C/ \bar{T}	Timer or Counter Selector for Timer 1. Cleared for Timer operation (input from CCLK). Set for Counter operation (input from T1 input pin).							
TMOD.5, 4	T1M1,T1M0	Mode Select for Timer 1. These bits are used with the T1M2 bit in the TAMOD register to determine the Timer 1 mode (see Figure 7-2).							
TMOD.3	T0GATE	Gating control for Timer 0. When set, Timer/Counter is enabled only while the $\overline{INT0}$ pin is high and the TR0 control pin is set. When cleared, Timer 0 is enabled when the TR0 control bit is set.							
TMOD.2	T0C/ \bar{T}	Timer or Counter Selector for Timer 0. Cleared for Timer operation (input from CCLK). Set for Counter operation (input from T0 input pin).							
TMOD.1, 0	T0M1,T0M0	Mode Select for Timer 0. These bits are used with the T0M2 bit in the TAMOD register to determine the Timer 0 mode (see Figure 7-2).							

Figure 7-1: Timer/Counter Mode Control register (TMOD)

TIMERS 0 AND 1

P89LPC930/931

TAMOD		7	6	5	4	3	2	1	0
Address: 8Fh		-	-	-	T1M2	-	-	-	T0M2
Not bit addressable									
Reset Source(s): Any reset									
Reset Value: xxx0xxx0B									
BIT	SYMBOL	FUNCTION							
TAMOD.7-5	-	Reserved for future use. Should not be set to 1 by user programs.							
TAMOD.4	T1M2	Mode Select bit 2 for Timer 1. It is used with T1M1 and T1M0 in the TMOD register to determine Timer 1 mode.							
TAMOD.3-1	-	Reserved for future use. Should not be set to 1 by user programs.							
TAMOD.0	T0M2	Mode Select bit 2 for Timer 0. It is used with T0M1 and T0M0 in the TMOD register to determine Timer 0 mode.							
	<u>TnM2-TnM0</u>	<u>Timer Mode</u>							
	0 0 0	8048 Timer "TLn" serves as 5-bit prescaler.							
	0 0 1	16-bit Timer/Counter "THn" and "TLn" are cascaded; there is no prescaler.							
	0 1 0	8-bit auto-reload Timer/Counter. THn holds a value which is loaded into TLn when it overflows.							
	0 1 1	Timer 0 is a dual 8-bit Timer/Counter in this mode. TL0 is an 8-bit Timer/Counter controlled by the standard Timer 0 control bits. TH0 is an 8-bit timer only, controlled by the Timer 1 control bits (see text). Timer 1 in this mode is stopped.							
	1 0 0	Reserved. User must not configure to this mode.							
	1 0 1	Reserved. User must not configure to this mode.							
	1 1 0	PWM mode (see section "Mode 6").							
	1 1 1	Reserved. User must not configure to this mode.							

Figure 7-2: Timer/Counter Auxiliary Mode Control register (TAMOD)

Mode 0

Putting either Timer into Mode 0 makes it look like an 8048 Timer, which is an 8-bit Counter with a divide-by-32 prescaler. Figure 7-4 shows Mode 0 operation.

In this mode, the Timer register is configured as a 13-bit register. As the count rolls over from all 1s to all 0s, it sets the Timer interrupt flag TF_n. The count input is enabled to the Timer when TR_n = 1 and either TnGATE = 0 or INT_n = 1. (Setting TnGATE = 1 allows the Timer to be controlled by external input INT_n, to facilitate pulse width measurements). TR_n is a control bit in the Special Function Register TCON (Figure 7-3). The TnGATE bit is in the TMOD register.

The 13-bit register consists of all 8 bits of TH_n and the lower 5 bits of TL_n. The upper 3 bits of TL_n are indeterminate and should be ignored. Setting the run flag (TR_n) does not clear the registers.

Mode 0 operation is the same for Timer 0 and Timer 1. See Figure 7-4. There are two different GATE bits, one for Timer 1 (TMOD.7) and one for Timer 0 (TMOD.3).

Mode 1

Mode 1 is the same as Mode 0, except that all 16 bits of the timer register (TH_n and TL_n) are used. See Figure 7-5.

TIMERS 0 AND 1

P89LPC930/931

Mode 2

Mode 2 configures the Timer register as an 8-bit Counter (TLn) with automatic reload, as shown in Figure 7-6. Overflow from TLn not only sets TFn, but also reloads TLn with the contents of THn, which must be preset by software. The reload leaves THn unchanged. Mode 2 operation is the same for Timer 0 and Timer 1.

Mode 3

When Timer 1 is in Mode 3 it is stopped. The effect is the same as setting TR1 = 0.

Timer 0 in Mode 3 establishes TL0 and TH0 as two separate 8-bit counters. The logic for Mode 3 on Timer 0 is shown in Figure 7-7. TL0 uses the Timer 0 control bits: TOC/T, TOGATE, TR0, INT0, and TF0. TH0 is locked into a timer function (counting machine cycles) and takes over the use of TR1 and TF1 from Timer 1. Thus, TH0 now controls the "Timer 1" interrupt.

Mode 3 is provided for applications that require an extra 8-bit timer. With Timer 0 in Mode 3, an **P89LPC930/931** device can look like it has three Timer/Counters.

Note: When Timer 0 is in Mode 3, Timer 1 can be turned on and off by switching it into and out of its own Mode 3. It can still be used by the serial port as a baud rate generator, or in any application not requiring an interrupt.

Mode 6

In this mode, the corresponding timer can be changed to a PWM with a full period of 256 timer clocks (see Figure 7-8). Its structure is similar to mode 2, except that:

- TFn (n = 0 and 1 for Timers 0 and 1 respectively) is set and cleared in hardware;
- The low period of the TFn is in THn, and should be between 1 and 254, and;
- The high period of the TFn is always 256-THn.
- Loading THn with 00h will force the Tx pin high, loading THn with FFh will force the Tx pin low.

Note that interrupt can still be enabled on the low to high transition of TFn, and that TFn can still be cleared in software like in any other modes.

TIMERS 0 AND 1

P89LPC930/931

TCON		7	6	5	4	3	2	1	0
Address: 88h		TF1	TR1	TF0	TR0	IE1	IT1	IE0	IT0
Bit addressable									
Reset Source(s): Any reset									
Reset Value: 00000000B									
BIT	SYMBOL	FUNCTION							
TCON.7	TF1	Timer 1 overflow flag. Set by hardware on Timer/Counter overflow. Cleared by hardware when the interrupt is processed, or by software (except in mode 6, see above, when it is cleared in hardware).							
TCON.6	TR1	Timer 1 Run control bit. Set/cleared by software to turn Timer/Counter 1 on/off.							
TCON.5	TF0	Timer 0 overflow flag. Set by hardware on Timer/Counter overflow. Cleared by hardware when the processor vectors to the interrupt routine, or by software. (except in mode 6, see above, when it is cleared in hardware)							
TCON.4	TR0	Timer 0 Run control bit. Set/cleared by software to turn Timer/Counter 0 on/off.							
TCON.3	IE1	Interrupt 1 Edge flag. Set by hardware when external interrupt 1 edge is detected. Cleared by hardware when the interrupt is processed, or by software.							
TCON.2	IT1	Interrupt 1 Type control bit. Set/cleared by software to specify falling edge/low level triggered external interrupts.							
TCON.1	IE0	Interrupt 0 Edge flag. Set by hardware when external interrupt 0 edge is detected. Cleared by hardware when the interrupt is processed, or by software.							
TCON.0	IT0	Interrupt 0 Type control bit. Set/cleared by software to specify falling edge/low level triggered external interrupts.							

Figure 7-3: Timer/Counter Control register (TCON)

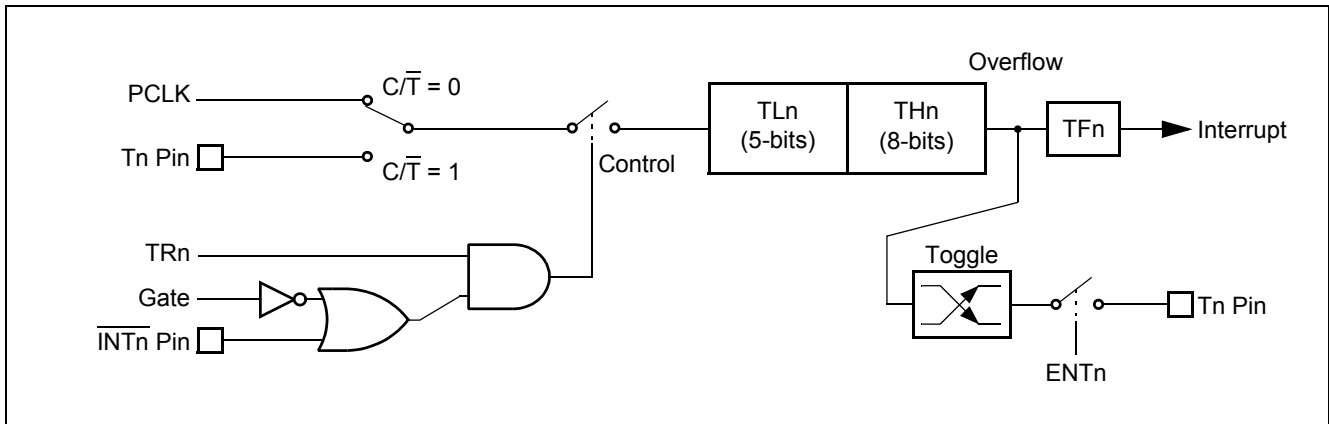


Figure 7-4: Timer/Counter 0 or 1 in Mode 0 (13-bit counter)

TIMERS 0 AND 1

P89LPC930/931

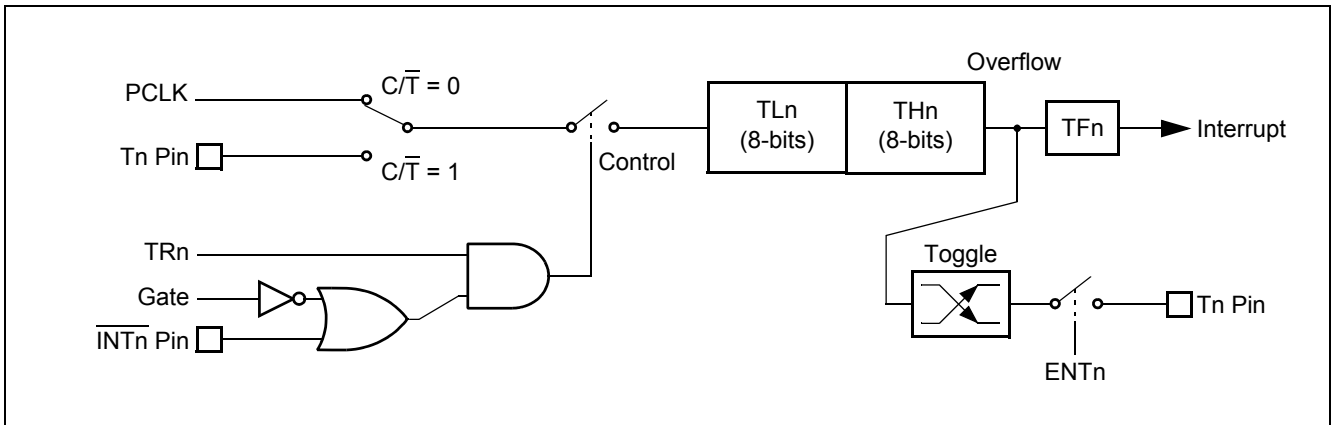


Figure 7-5: Timer/Counter 0 or 1 in Mode 1 (16-bit counter)

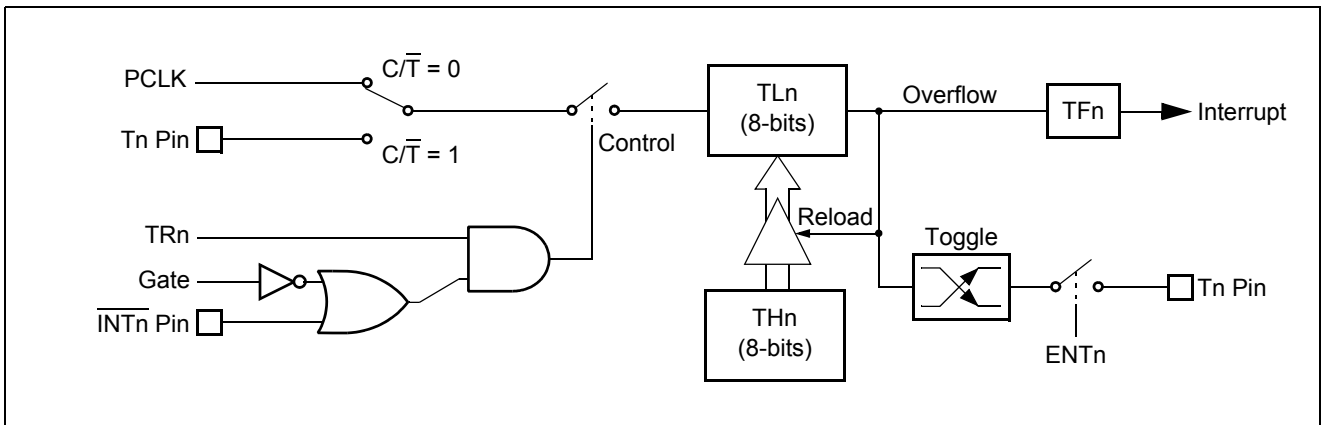


Figure 7-6: Timer/Counter 0 or 1 in Mode 2 (8-bit auto-reload)

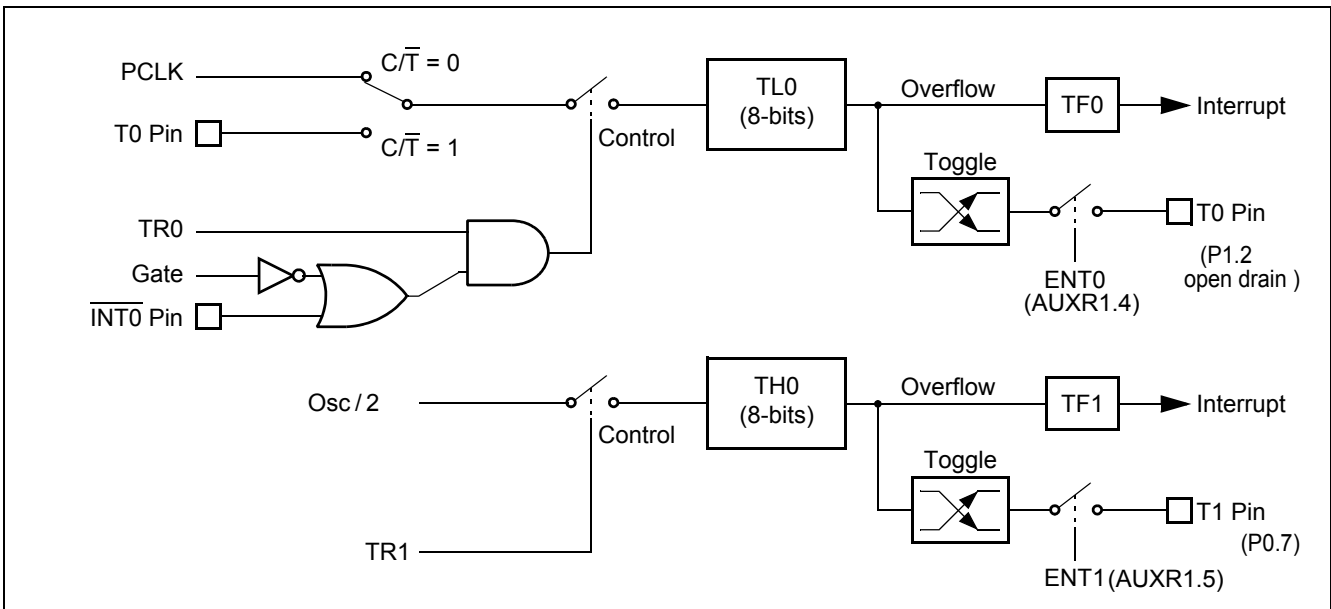


Figure 7-7: Timer/Counter 0 Mode 3 (two 8-bit counters)

TIMERS 0 AND 1

P89LPC930/931

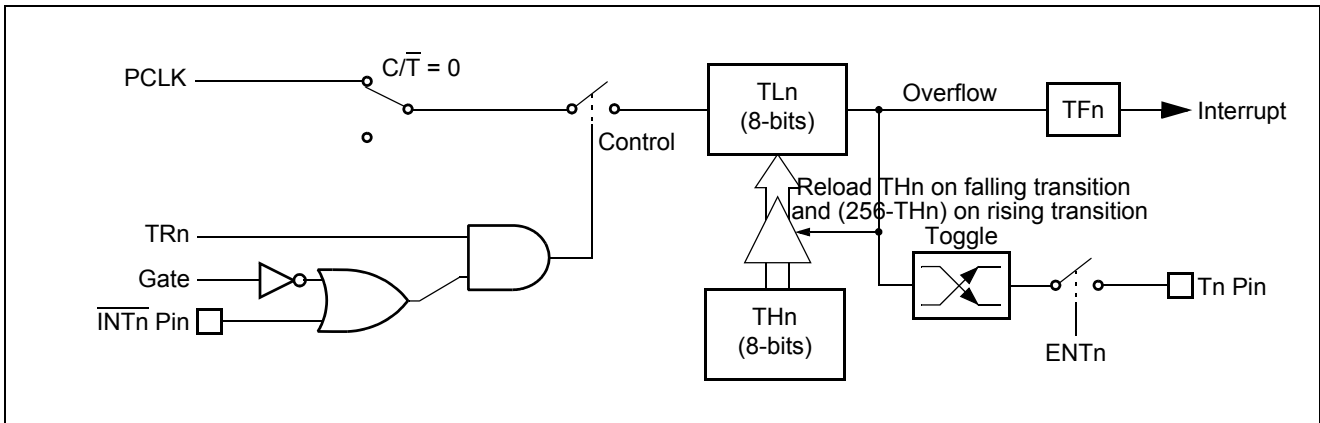


Figure 7-8: Timer/Counter 0 or 1 in Mode 6 (PWM auto-reload)

Timer overflow toggle output

Timers 0 and 1 can be configured to automatically toggle a port output whenever a timer overflow occurs. The same device pins that are used for the T0 and T1 count inputs and PWM outputs are also used for the timer toggle outputs. This function is enabled by control bits ENT0 and ENT1 in the AUXR1 register, and apply to Timer 0 and Timer 1 respectively. The port outputs will be a logic 1 prior to the first timer overflow when this mode is turned on. In order for this mode to function, the C/\bar{T} bit must be cleared selecting PCLK as the clock source for the timer.

REAL-TIME CLOCK/SYSTEM TIMER

P89LPC930/931

8. REAL-TIME CLOCK/SYSTEM TIMER

The **P89LPC930/931** has a simple Real-time Clock/System Timer that allows a user to continue running an accurate timer while the rest of the device is powered down. The Real-time Clock can be an interrupt or a wake-up source (see Figure 8-1). The Real-time Clock is a 23-bit down counter. The clock source for this counter can be either the CPU clock (CCLK) or the XTAL1-2 oscillator, provided that the XTAL1-2 oscillator is not being used as the CPU clock. If the XTAL1-2 oscillator is used as the CPU clock, then the RTC will use CCLK as its clock source regardless of the state of the RTCS1:0 in the RTCCON register. There are three SFRs used for the RTC:

- RTCCON - Real-time Clock control.
- RTCH - Real-time Clock counter reload high (bits 22-15).
- RTCL - Real-time Clock counter reload low (bits 14-7).

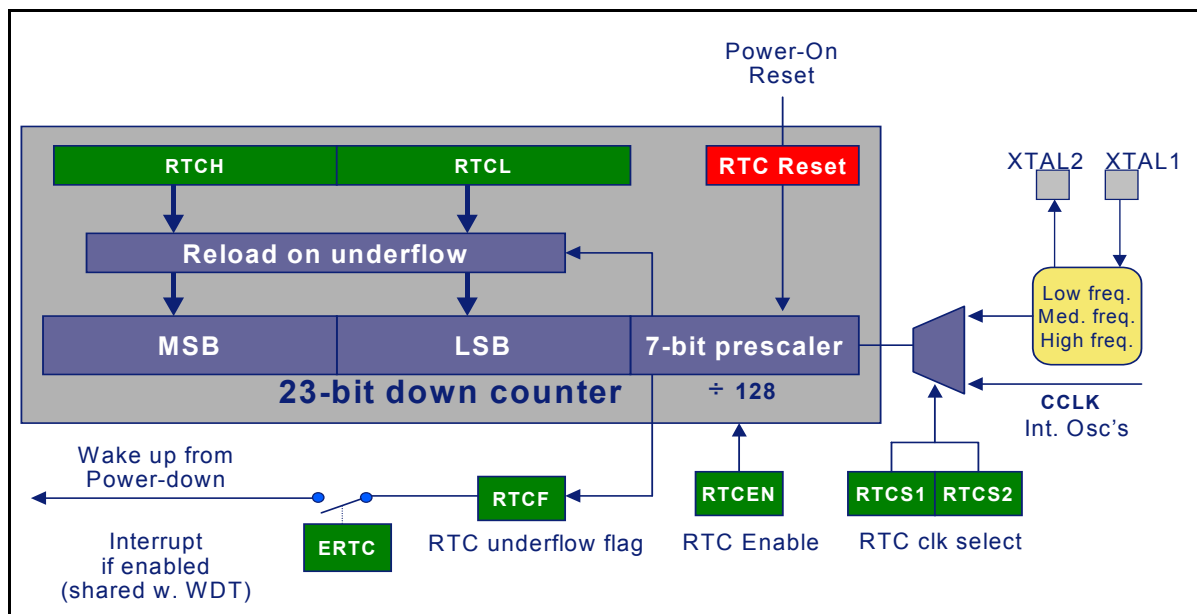


Figure 8-1: Real-time Clock/System Timer block diagram

The Real-time Clock/System Timer can be enabled by setting the RTCEN (RTCCON.0) bit. The Real-time Clock is a 23-bit down counter (initialized to all 0's when RTCEN = 0) that is comprised of a 7-bit prescaler and a 16-bit loadable down counter. When RTCEN is written with '1', the counter is first loaded with (RTCH,RTCL,'1111111') and will count down. When it reaches all 0's, the counter will be reloaded again with (RTCH,RTCL,'1111111') and a flag - RTCF (RTCCON.7) -will be set.

Any write to RTCH and RTCL in-between the Real-time Clock reloading will not cause reloading of the counter. When the current count terminates, the contents of RTCH and RTCL will be loaded into the counter and the new count will begin. An immediate reload of the counter can be forced by clearing the RTCEN bit to '0' and then setting it back to '1' .

Real-time Clock source

RTCS1-0 (RTCCON.6-5) are used to select the clock source for the RTC if either the Internal RC oscillator or the internal WD oscillator is used as the CPU clock. If the internal crystal oscillator or the external clock input on XTAL1 is used as the CPU clock, then the RTC will use CCLK as its clock source.

Changing RTCS1-0

RTCS1-0 cannot be changed if the RTC is currently enabled (RTCCON.0 =1). Setting RTCEN and updating RTCS1-0 may be done in a single write to RTCCON. However, if RTCEN = 1, this bit must first be cleared before updating RTCS1-0.

REAL-TIME CLOCK/SYSTEM TIMER

P89LPC930/931

Real-time Clock interrupt/wake up

If ERTC (RTCCON.1), EWDRT (IEN1.0.6) and EA (IEN0.7) are set to '1', RTCF can be used as an interrupt source. This interrupt vector is shared with the watchdog timer. It can also be a source to wake up the device.

Reset sources affecting the Real-time Clock

Only power-on reset will reset the Real-time Clock and its associated SFRs to their default state

Table 8-1: Real-time Clock/System Timer clock sources

RTCS1 (RTCCON.6)	RTCS0 (RTCCON.5)	FOSC2 (UCFG1.2)	FOSC1 (UCFG1.1)	FOSC0 (UCFG1.0)	RTC clock source	CPU clock source
x	x	0	0	0	CCLK	High frequency crystal
x	x	0	0	1	CCLK	Medium frequency crystal
x	x	0	1	0	CCLK	Low frequency crystal
0	0	0	1	1	High frequency crystal	Internal RC oscillator
0	1				Medium frequency crystal	
1	0				Low frequency crystal	
1	1				CCLK	
0	0	1	0	0	High frequency crystal	Watchdog oscillator
0	1				Medium frequency crystal	
1	0				Low frequency crystal	
1	1				CCLK	
x	x	1	0	1	undefined	undefined
x	x	1	1	0	undefined	undefined
x	x	1	1	1	CCLK	External clock input

REAL-TIME CLOCK/SYSTEM TIMER

P89LPC930/931

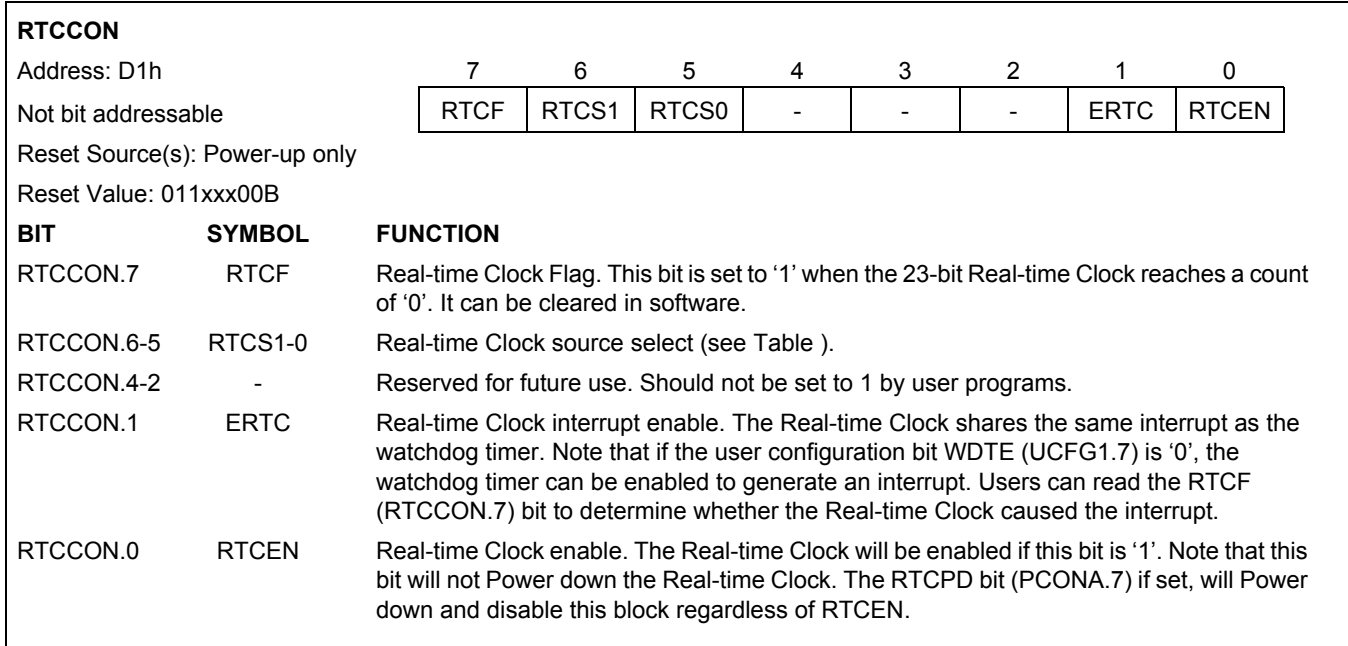


Figure 8-2: RTCCON Register

REAL-TIME CLOCK/SYSTEM TIMER

P89LPC930/931

UART

P89LPC930/931

9. UART

The **P89LPC930/931** has an enhanced UART that is compatible with the conventional 80C51 UART except that Timer 2 overflow cannot be used as a baud rate source. The **P89LPC930/931** does include an independent Baud Rate Generator. The baud rate can be selected from the oscillator (divided by a constant), Timer 1 overflow, or the independent Baud Rate Generator. In addition to the baud rate generation, enhancements over the standard 80C51 UART include Framing Error detection, break detect, automatic address recognition, selectable double buffering and several interrupt options.

The UART can be operated in 4 modes:

Mode 0

Serial data enters and exits through RxD. TxD outputs the shift clock. 8 bits are transmitted or received, LSB first. The baud rate is fixed at 1/16 of the CPU clock frequency.

Mode 1

10 bits are transmitted (through TxD) or received (through RxD): a start bit (logical 0), 8 data bits (LSB first), and a stop bit (logical 1). When data is received, the stop bit is stored in RB8 in Special Function Register SCON. The baud rate is variable and is determined by the Timer 1 overflow rate or the Baud Rate Generator (see "Baud Rate Generator and selection" section).

Mode 2

11 bits are transmitted (through TxD) or received (through RxD): start bit (logical 0), 8 data bits (LSB first), a programmable 9th data bit, and a stop bit (logical 1). When data is transmitted, the 9th data bit (TB8 in SCON) can be assigned the value of 0 or 1. Or, for example, the parity bit (P, in the PSW) could be moved into TB8. When data is received, the 9th data bit goes into RB8 in Special Function Register SCON and the stop bit is not saved. The baud rate is programmable to either 1/16 or 1/32 of the CCLK frequency, as determined by the SMOD1 bit in PCON.

Mode 3

11 bits are transmitted (through TxD) or received (through RxD): a start bit (logical 0), 8 data bits (LSB first), a programmable 9th data bit, and a stop bit (logical 1). Mode 3 is the same as Mode 2 in all respects except baud rate. The baud rate in Mode 3 is variable and is determined by the Timer 1 overflow rate or the Baud Rate Generator (see "Baud Rate Generator and selection" section).

In all four modes, transmission is initiated by any instruction that uses SBUF as a destination register. Reception is initiated in Mode 0 by the condition RI = 0 and REN = 1. Reception is initiated in the other modes by the incoming start bit if REN = 1.

UART

P89LPC930/931

SFR space

The UART SFRs are at the following locations:

Table 9-1: SFR Locations for UARTs

Register	Description	SFR Location
PCON	Power Control	87H
SCON	Serial Port (UART) Control	98H
SBUF	Serial Port (UART) Data Buffer	99H
SADDR	Serial Port (UART) Address	A9H
SADEN	Serial Port (UART) Address Enable	B9H
SSTAT	Serial Port (UART) Status	BAH
BRGR1	Baud Rate Generator Rate High Byte	BFH
BRGR0	Baud Rate Generator Rate Low Byte	BEH
BRGCON	Baud Rate Generator Control	BDH

Baud Rate Generator and selection

The **P89LPC930/931** enhanced UART has an independent Baud Rate Generator. The baud rate is determined by a value programmed into the BRGR1 and BRGR0 SFRs. The UART can use either Timer 1 or the baud rate generator output as determined by BRGCON.2-1 (see Figure 9-2). Note that Timer T1 is further divided by 2 if the SMOD1 bit (PCON.7) is set. The independent Baud Rate Generator uses CCLK.

Updating the BRGR1 and BRGR0 SFRs

The baud rate SFRs, BRGR1 and BRGR0 must only be loaded when the Baud Rate Generator is disabled (the BRGEN bit in the BRGCON register is '0'). This avoids the loading of an interim value to the baud rate generator. **(CAUTION: If either BRGR0 or BRGR1 is written when BRGEN = 1, the result is unpredictable.)**

SCON.7 (SM0)	SCON.6 (SM1)	PCON.7 (SMOD1)	BRGCON.1 (SBRGS)	Receive/transmit baud rate for UART
0	0	X	X	CCLK/16
0	1	0	0	CCLK/(256-TH1)64
		1	0	CCLK/(256-TH1)32
		X	1	CCLK/((BRGR1,BRGR0)+16)
1	0	0	X	CCLK/32
		1	X	CCLK/16
1	1	0	0	CCLK/(256-TH1)64
		1	0	CCLK/(256-TH1)32
		X	1	CCLK/((BRGR1,BRGR0)+16)

Table 9-2: Baud rate generation for UART.

UART

P89LPC930/931

BRGCON																		
Address: BDh																		
Not bit addressable																		
Reset Source(s): Any reset																		
Reset Value: xxxxxx00B																		
		<table border="1" style="width: 100%; border-collapse: collapse;"> <tr> <td style="width: 12.5%; text-align: center;">7</td> <td style="width: 12.5%; text-align: center;">6</td> <td style="width: 12.5%; text-align: center;">5</td> <td style="width: 12.5%; text-align: center;">4</td> <td style="width: 12.5%; text-align: center;">3</td> <td style="width: 12.5%; text-align: center;">2</td> <td style="width: 12.5%; text-align: center;">1</td> <td style="width: 12.5%; text-align: center;">0</td> </tr> <tr> <td style="text-align: center;">-</td> <td style="text-align: center;">-</td> <td style="text-align: center;">-</td> <td style="text-align: center;">-</td> <td style="text-align: center;">-</td> <td style="text-align: center;">-</td> <td style="text-align: center;">SBRGS</td> <td style="text-align: center;">BRGEN</td> </tr> </table>	7	6	5	4	3	2	1	0	-	-	-	-	-	-	SBRGS	BRGEN
7	6	5	4	3	2	1	0											
-	-	-	-	-	-	SBRGS	BRGEN											
BIT	SYMBOL	FUNCTION																
BRGCON.7-2	-	Reserved for future use. Should not be set to 1 by user programs.																
BRGCON.1	SBRGS	Select Baud Rate Generator as the source for baud rates to UART in modes 1 & 3 (see Table 9-2 for details)																
BRGCON.0	BRGEN	Baud Rate Generator Enable. Enables the baud rate generator. BRGR1 and BRGR0 can only be written when BRGEN = 0.																

Figure 9-1: BRGCON register

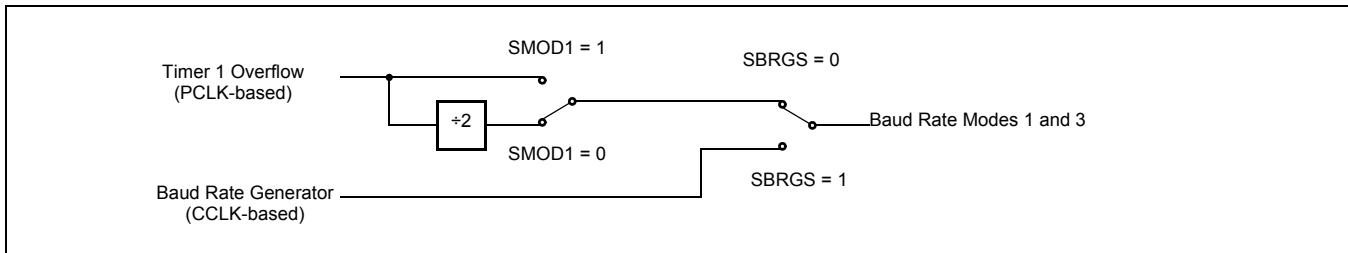


Figure 9-2: Baud rate generation for UART (Modes 1, 3)

Framing Error

A Framing error occurs when the stop bit is sensed as a logic '0'. A Framing error is reported in the status register (SSTAT). In addition, if SMOD0 (PCON.6) is 1, framing errors can be made available in SCON.7. If SMOD0 is 0, SCON.7 is SM0. It is recommended that SM0 and SM1 (SCON.7-6) are programmed when SMOD0 is '0'.

Break Detect

A break detect is reported in the status register (SSTAT). A break is detected when any 11 consecutive bits are sensed low. Since a break condition also satisfies the requirements for a framing error, a break condition will also result in reporting a framing error. Once a break condition has been detected, the UART will go into an idle state and remain in this idle state until a stop bit has been received. The break detect can be used to reset the device and force the device into ISP mode by setting the EBRR bit (AUXR1.6)

UART

P89LPC930/931

SCON									
Address: 98h		7	6	5	4	3	2	1	0
Bit addressable		SM0/FE	SM1	SM2	REN	TB8	RB8	TI	RI
Reset Source(s): Any reset									
Reset Value: 0000000B									
BIT	SYMBOL	FUNCTION							
SCON.7	SM0/FE	The use of this bit is determined by SMOD0 in the PCON register. If SMOD0 = 0, this bit is read and written as SM0, which with SM1, defines the serial port mode. If SMOD0 = 1, this bit is read and written as FE (Framing Error). FE is set by the receiver when an invalid stop bit is detected. Once set, this bit cannot be cleared by valid frames but is cleared by software. (Note: UART mode bits SM0 and SM1 should be programmed when SMOD0 is '0' - default mode on any reset.)							
SCON.6	SM1	With SM0, defines the serial port mode (see table below).							
	<u>SM0, SM1</u>	<u>UART Mode</u>	<u>UART 0 Baud Rate</u>						
	0 0	0: shift register	CCLK/16 (default mode on any reset)						
	0 1	1: 8-bit UART	Variable (see Table 9-2)						
	1 0	2: 9-bit UART	CCLK/32 or CCLK/16						
	1 1	3: 9-bit UART	Variable (see Table 9-2)						
SCON.5	SM2	Enables the multiprocessor communication feature in Modes 2 and 3. In Mode 2 or 3, if SM2 is set to 1, then RI will not be activated if the received 9th data bit (RB8) is 0. In Mode 0, SM2 should be 0. In Mode 1, SM2 must be 0.							
SCON.4	REN	Enables serial reception. Set by software to enable reception. Clear by software to disable reception.							
SCON.3	TB8	The 9th data bit that will be transmitted in Modes 2 and 3. Set or clear by software as desired.							
SCON.2	RB8	The 9th data bit that was received in Modes 2 and 3. In Mode 1 (SM2 must be 0), RB8 is the stop bit that was received. In Mode 0, RB8 is undefined.							
SCON.1	TI	Transmit interrupt flag. Set by hardware at the end of the 8th bit time in Mode 0, or at the the stop bit (see description of INTLO bit in SSTAT register) in the other modes. Must be cleared by software.							
SCON.0	RI	Receive interrupt flag. Set by hardware at the end of the 8th bit time in Mode 0, or approximately halfway through the stop bit time in Mode 1. For Mode 2 or Mode 3, if SMOD0, it is set near the middle of the 9th data bit (bit 8). If SMOD0 = 1, it is set near the middle of the stop bit (see SM2 - SCON.5 - for exceptions). Must be cleared by software.							

Figure 9-3: Serial Port Control register (SCON)

UART

P89LPC930/931

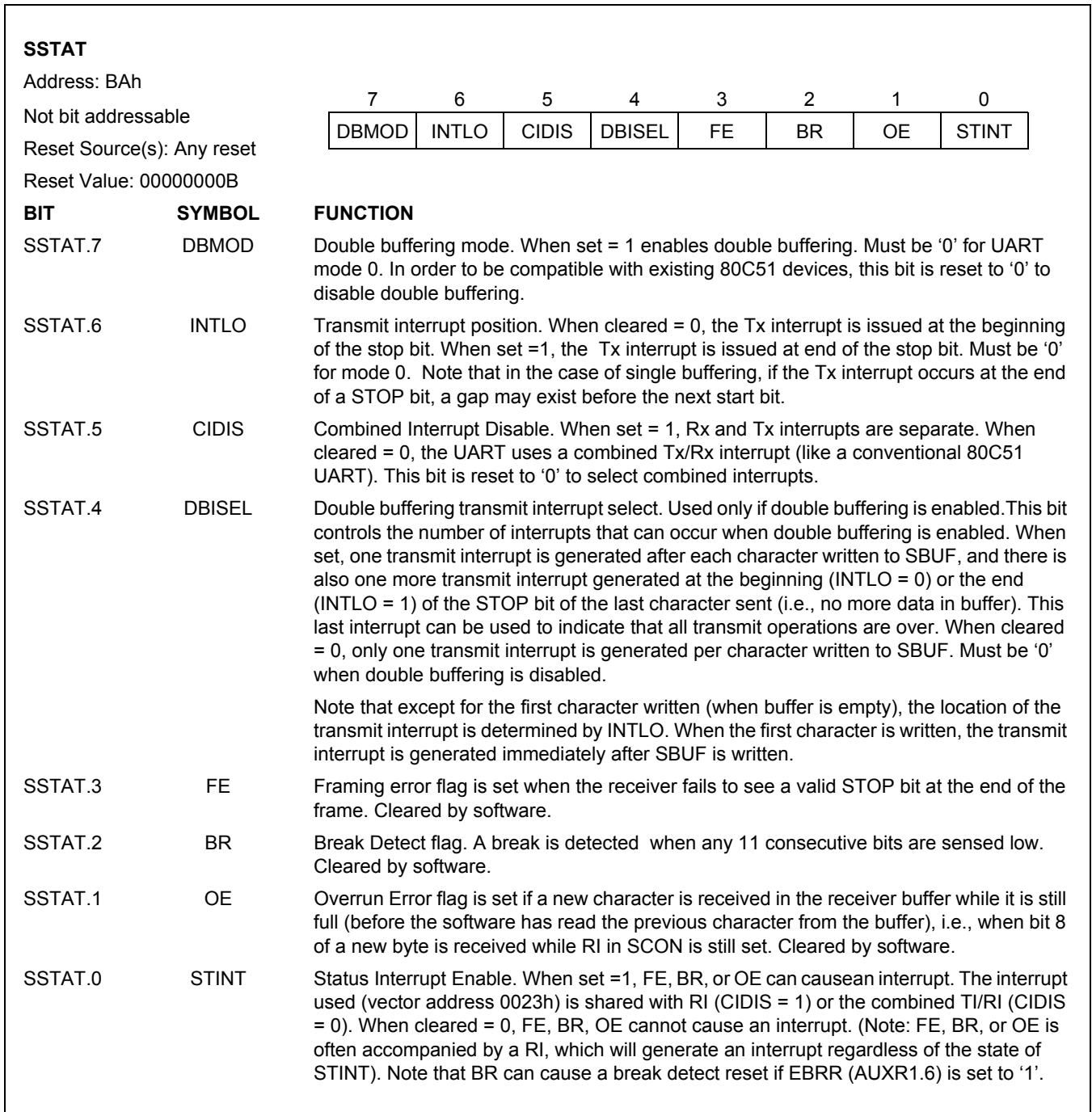


Figure 9-4: Serial Port Status register (SSTAT)

More about UART Mode 0

In Mode 0, a write to SBUF will initiate a transmission. At the end of the transmission, TI (SCON.1) is set, which must be cleared in software. Double buffering must be disabled in this mode.

Reception is initiated by clearing RI (SCON.0). Synchronous serial transfer occurs and RI will be set again at the end of the transfer. When RI is cleared, the reception of the next character will begin. Refer to Figure 9-5 for timing.

UART

P89LPC930/931

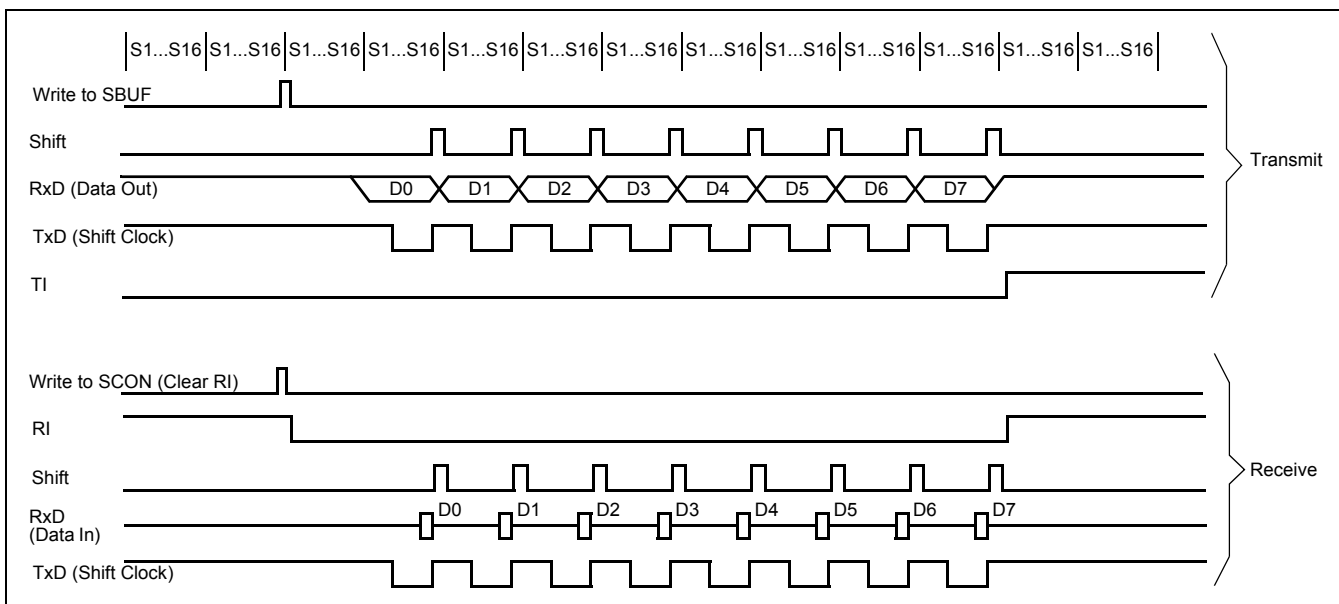


Figure 9-5: Serial Port Mode 0 (double buffering must be disabled)

More about UART Mode 1

Reception is initiated by detecting a 1-to-0 transition on RxD. RxD is sampled at a rate 16 times the programmed baud rate. When a transition is detected, the divide-by-16 counter is immediately reset. Each bit time is thus divided into 16 counter states. At the 7th, 8th, and 9th counter states, the bit detector samples the value of RxD. The value accepted is the value that was seen in at least 2 of the 3 samples. This is done for noise rejection. If the value accepted during the first bit time is not 0, the receive circuits are reset and the receiver goes back to looking for another 1-to-0 transition. This provides rejection of false start bits. If the start bit proves valid, it is shifted into the input shift register, and reception of the rest of the frame will proceed.

The signal to load SBUF and RB8, and to set RI, will be generated if, and only if, the following conditions are met at the time the final shift pulse is generated: RI = 0 and either SM2=0 or the received stop bit = 1. If either of these two conditions is not met, the received frame is lost. If both conditions are met, the stop bit goes into RB8, the 8 data bits go into SBUF, and RI is activated.

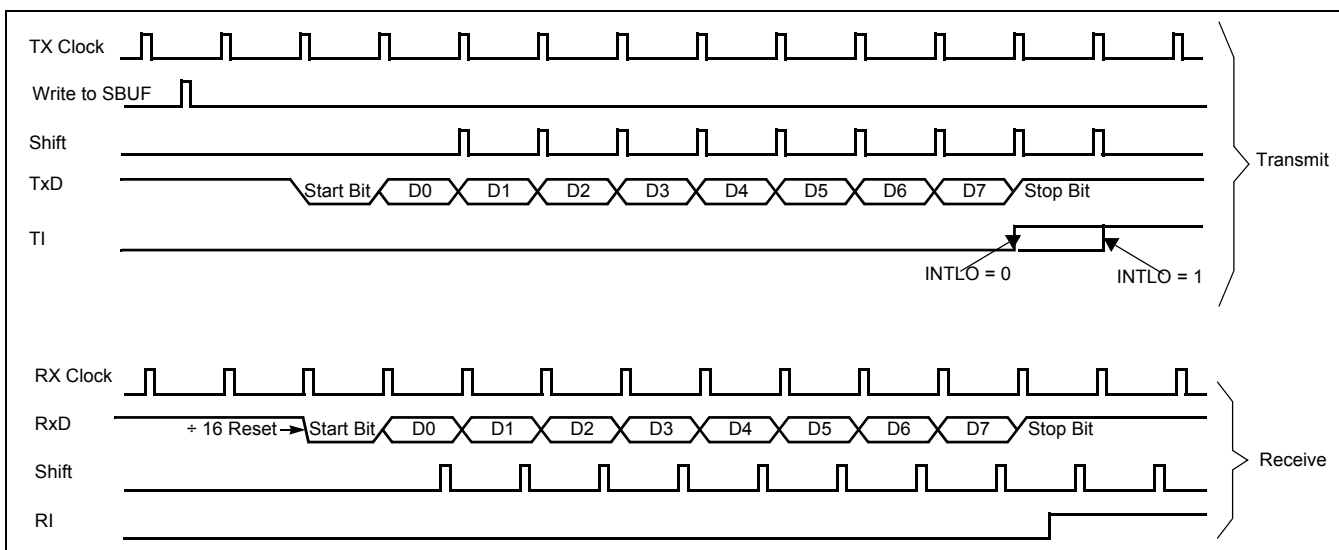


Figure 9-6: Serial Port Mode 1 (only single transmit buffering case is shown)

UART

P89LPC930/931

More about UART Modes 2 and 3

Reception is the same as in Mode 1.

The signal to load SBUF and RB8, and to set RI, will be generated if, and only if, the following conditions are met at the time the final shift pulse is generated. (a) RI = 0, and (b) Either SM2 = 0, or the received 9th data bit = 1. If either of these conditions is not met, the received frame is lost, and RI is not set. If both conditions are met, the received 9th data bit goes into RB8, and the first 8 data bits go into SBUF.

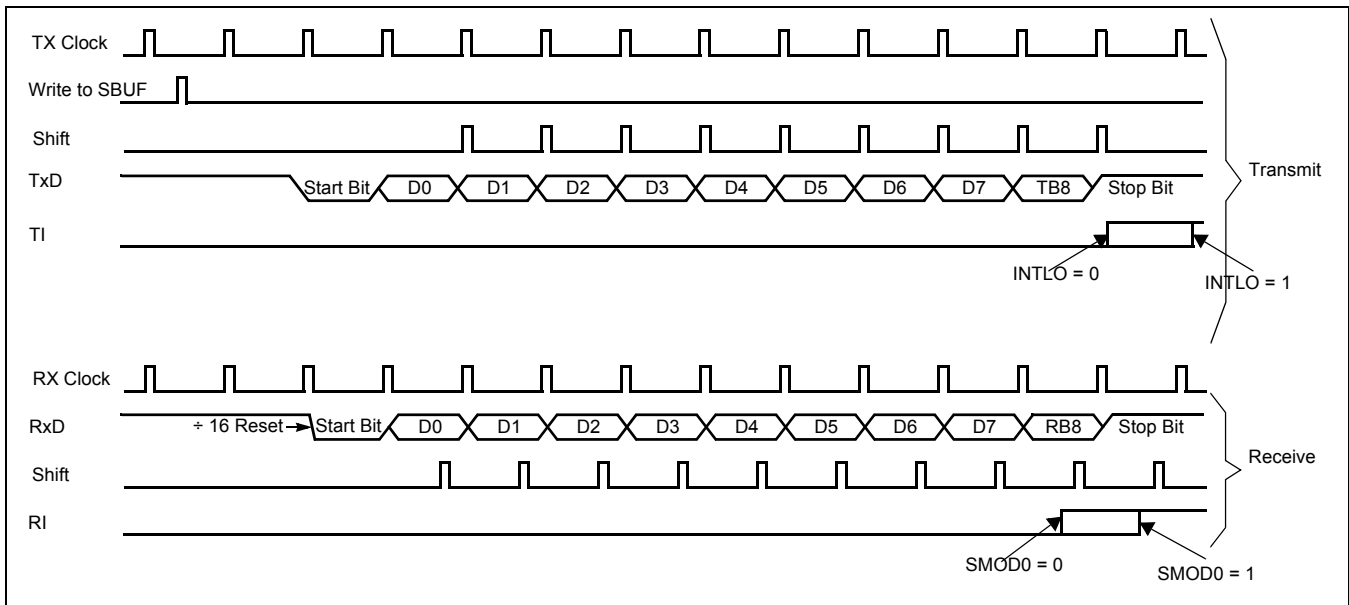


Figure 9-7: Serial Port Mode 2 or 3 (only single transmit buffering case is shown)

Framing Error and RI in Modes 2 and 3 with SM2 = 1

If SM2 = 1 in modes 2 and 3, RI and FE behaves as in the following table.

Mode	PCON.6 (SMOD0)	RB8	RI	FE
2	0	0	No RI when RB8 = 0	Occurs during STOP bit
		1	Similar to Figure 9-7, with SMOD0 = 0, RI occurs during RB8, one bit before FE	Occurs during STOP bit
3	1	0	No RI when RB8 = 0	Will NOT occur
		1	Similar to Figure 9-7, with SMOD0 = 1, RI occurs during STOP bit	Occurs during STOP bit

Table 9-3: FE and RI when SM2 = 1 in Modes 2 and 3.

Break Detect

A break is detected when 11 consecutive bits are sensed low and is reported in the status register (SSTAT). For Mode 1, this consists of the start bit, 8 data bits, and two stop bit times. For Modes 2 & 3, this consists of the start bit, 9 data bits, and one stop bit. The break detect bit is cleared in software or by a reset. The break detect can be used to reset the device and force the device into ISP mode. This occurs if the UART is enabled and the the EBRR bit (AUXR1.6) is set and a break occurs.

UART

P89LPC930/931

Double buffering

The UART has a transmit double buffer that allows buffering of the next character to be written to SBUF while the first character is being transmitted. Double buffering allows transmission of a string of characters with only one stop bit between any two characters, provided the next character is written between the start bit and the stop bit of the previous character.

Double buffering can be disabled. If disabled (DBMOD, i.e. SSTAT.7 = 0), the UART is compatible with the conventional 80C51 UART. If enabled, the UART allows writing to SBUF while the previous data is being shifted out.

Double buffering in different modes

Double buffering is only allowed in Modes 1, 2 and 3. When operated in Mode 0, double buffering must be disabled (DBMOD = 0).

Transmit interrupts with double buffering enabled (Modes 1, 2 and 3)

Unlike the conventional UART, when double buffering is enabled, the Tx interrupt is generated when the double buffer is ready to receive new data. The following occurs during a transmission (assuming eight data bits):

1. The double buffer is empty initially.
2. The CPU writes to SBUF.
3. The SBUF data is loaded to the shift register and a Tx interrupt is generated immediately.
4. If there is more data, go to 6, else continue on 5.
5. If there is no more data, then:
 - If DBISEL is '0', no more interrupts will occur.
 - If DBISEL is '1' and INTLO is '0', a Tx interrupt will occur at the beginning of the STOP bit of the data currently in the shifter (which is also the last data).
 - If DBISEL is '1' and INTLO is '1', a Tx interrupt will occur at the end of the STOP bit of the data currently in the shifter (which is also the last data).
6. If there is more data, the CPU writes to SBUF again. Then:
 - If INTLO is '0', the new data will be loaded and a Tx interrupt will occur at the beginning of the STOP bit of the data currently in the shifter.
 - If INTLO is '1', the new data will be loaded and a Tx interrupt will occur at the end of the STOP bit of the data currently in the shifter.Go to 3.

Note that if DBISEL is '1' and the CPU is writing to SBUF when the STOP bit of the last data is shifted out, there can be an uncertainty of whether a Tx interrupt is generated already with the UART not knowing whether there is any more data following.

UART

P89LPC930/931

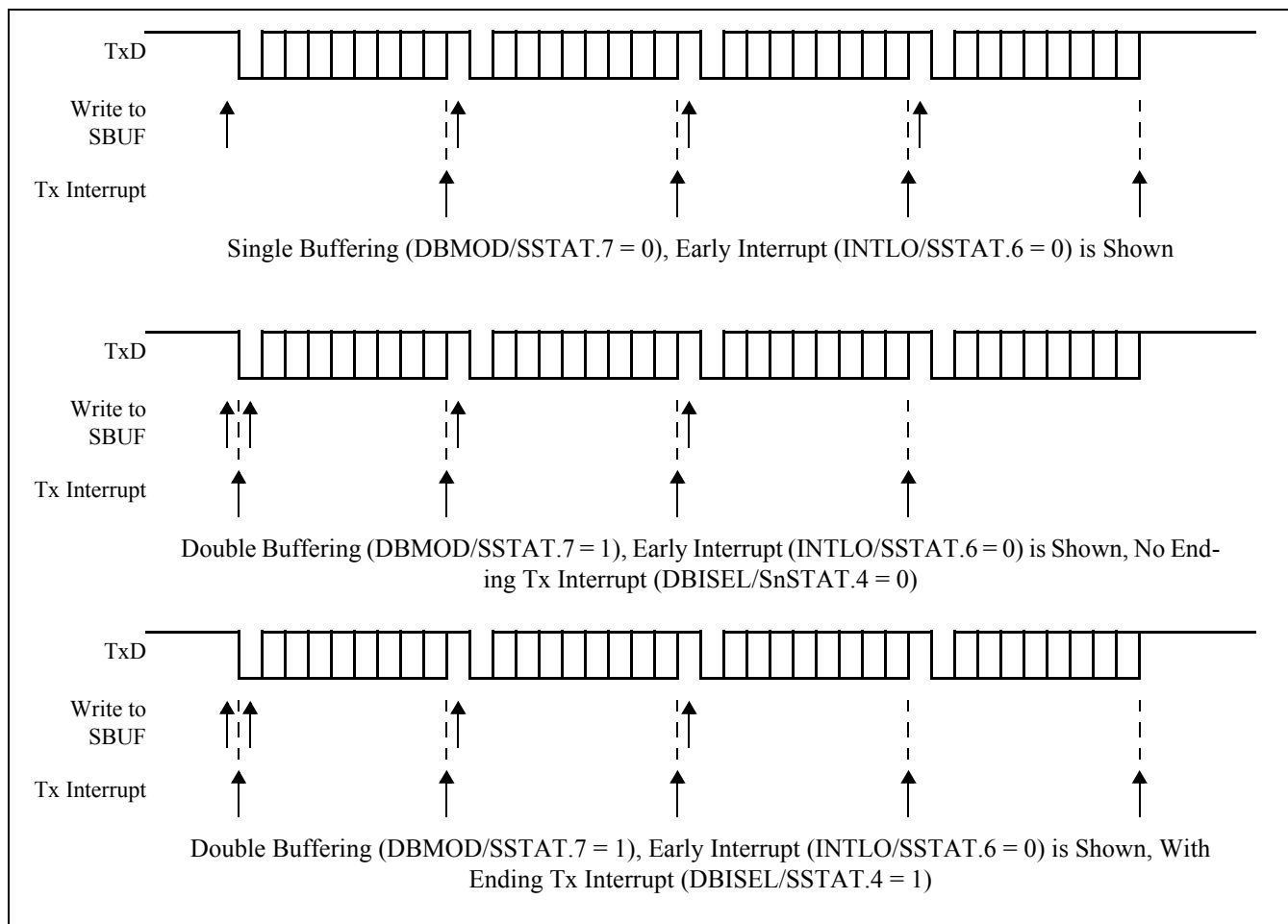


Figure 9-8: Transmission with and without double buffering

The 9th bit (bit 8) in double buffering (Modes 1, 2 and 3)

If double buffering is disabled (DBMOD, i.e. SSTAT.7 = 0), TB8 can be written before or after SBUF is written, provided TB8 is updated before that TB8 is shifted out. TB8 must not be changed again until after TB8 shifting has been completed, as indicated by the Tx interrupt.

If double buffering is enabled, TB8 MUST be updated before SBUF is written, as TB8 will be double-buffered together with SBUF data. The operation described in the section "Transmit interrupts with double buffering enabled (Modes 1, 2 and 3)" becomes as follows:

1. The double buffer is empty initially.
2. The CPU writes to TB8.
3. The CPU writes to SBUF.
4. The SBUF/TB8 data is loaded to the shift register and a Tx interrupt is generated immediately.
5. If there is more data, go to 7, else continue on 6.
6. If there is no more data, then:
 - If DBISEL is '0', no more interrupt will occur.
 - If DBISEL is '1' and INTLO is '0', a Tx interrupt will occur at the beginning of the STOP bit of the data currently in the shifter (which is also the last data).
 - If DBISEL is '1' and INTLO is '1', a Tx interrupt will occur at the end of the STOP bit of the data currently in the shifter (which is also the last data).
7. If there is more data, the CPU writes to TB8 again.

UART

P89LPC930/931

8. The CPU writes to SBUF again. Then:

- If INTLO is '0', the new data will be loaded and a Tx interrupt will occur at the beginning of the STOP bit of the data currently in the shifter.
- If INTLO is '1', the new data will be loaded and a Tx interrupt will occur at the end of the STOP bit of the data currently in the shifter.

Go to 4.

Note that if DBISEL is '1' and the CPU is writing to SBUF when the STOP bit of the last data is shifted out, there can be an uncertainty of whether a Tx interrupt is generated already with the UART not knowing whether there is any more data following.

Multiprocessor communications

UART modes 2 and 3 have a special provision for multiprocessor communications. In these modes, 9 data bits are received or transmitted. When data is received, the 9th bit is stored in RB8. The UART can be programmed such that when the stop bit is received, the serial port interrupt will be activated only if RB8 = 1. This feature is enabled by setting bit SM2 in SCON. One way to use this feature in multiprocessor systems is as follows:

When the master processor wants to transmit a block of data to one of several slaves, it first sends out an address byte which identifies the target slave. An address byte differs from a data byte in that the 9th bit is 1 in an address byte and 0 in a data byte. With SM2 = 1, no slave will be interrupted by a data byte. An address byte, however, will interrupt all slaves, so that each slave can examine the received byte and see if it is being addressed. The addressed slave will clear its SM2 bit and prepare to receive the data bytes that follow. The slaves that weren't being addressed leave their SM2 bits set and go on about their business, ignoring the subsequent data bytes.

Note that SM2 has no effect in Mode 0, and must be '0' in Mode 1.

Automatic address recognition

Automatic address recognition is a feature which allows the UART to recognize certain addresses in the serial bit stream by using hardware to make the comparisons. This feature saves a great deal of software overhead by eliminating the need for the software to examine every serial address which passes by the serial port. This feature is enabled by setting the SM2 bit in SCON. In the 9 bit UART modes (mode 2 and mode 3), the Receive Interrupt flag (RI) will be automatically set when the received byte contains either the "Given" address or the "Broadcast" address. The 9 bit mode requires that the 9th information bit is a 1 to indicate that the received information is an address and not data.

Using the Automatic Address Recognition feature allows a master to selectively communicate with one or more slaves by invoking the Given slave address or addresses. All of the slaves may be contacted by using the Broadcast address. Two special Function Registers are used to define the slave's address, SADDR, and the address mask, SADEN. SADEN is used to define which bits in the SADDR are to be used and which bits are "don't care". The SADEN mask can be logically ANDed with the SADDR to create the "Given" address which the master will use for addressing each of the slaves. Use of the Given address allows multiple slaves to be recognized while excluding others. The following examples will help to show the versatility of this scheme:

```
Slave 0  SADDR = 1100 0000
         SADEN = 1111 1101
         Given  = 1100 00X0
```

```
Slave 1  SADDR = 1100 0000
         SADEN = 1111 1110
         Given  = 1100 000X
```

In the above example SADDR is the same and the SADEN data is used to differentiate between the two slaves. Slave 0 requires a 0 in bit 0 and it ignores bit 1. Slave 1 requires a 0 in bit 1 and bit 0 is ignored. A unique address for Slave 0 would be 1100 0010 since slave 1 requires a 0 in bit 1. A unique address for slave 1 would be 1100 0001 since a 1 in bit 0 will exclude slave 0. Both slaves can be selected at the same time by an address which has bit 0 = 0 (for slave 0) and bit 1 = 0 (for slave 1). Thus, both could be addressed with 1100 0000.

In a more complex system the following could be used to select slaves 1 and 2 while excluding slave 0:

UART

P89LPC930/931

Slave 0 SADDR = 1100 0000
SADEN = 1111 1001
Given = 1100 0XX0

Slave 1 SADDR = 1110 0000
SADEN = 1111 1010
Given = 1110 0X0X

Slave 2 SADDR = 1110 0000
SADEN = 1111 1100
Given = 1110 00XX

In the above example the differentiation among the 3 slaves is in the lower 3 address bits. Slave 0 requires that bit 0 = 0 and it can be uniquely addressed by 1110 0110. Slave 1 requires that bit 1 = 0 and it can be uniquely addressed by 1110 and 0101. Slave 2 requires that bit 2 = 0 and its unique address is 1110 0011. To select Slaves 0 and 1 and exclude Slave 2 use address 1110 0100, since it is necessary to make bit 2 = 1 to exclude slave 2. The Broadcast Address for each slave is created by taking the logical OR of SADDR and SADEN. Zeros in this result are treated as don't-cares. In most cases, interpreting the don't-cares as ones, the broadcast address will be FF hexadecimal. Upon reset SADDR and SADEN are loaded with 0s. This produces a given address of all "don't cares" as well as a Broadcast address of all "don't cares". This effectively disables the Automatic Addressing mode and allows the microcontroller to use standard UART drivers which do not make use of this feature.

UART

P89LPC930/931

I²C INTERFACE

P89LPC930/931

10. I²C INTERFACE

The I²C-bus uses two wires, serial clock (SCL) and serial data (SDA) to transfer information between devices connected to the bus, and has the following features:

- Bidirectional data transfer between masters and slaves
- Multimaster bus (no central master)
- Arbitration between simultaneously transmitting masters without corruption of serial data on the bus
- Serial clock synchronization allows devices with different bit rates to communicate via one serial bus
- Serial clock synchronization can be used as a handshake mechanism to suspend and resume serial transfer
- The I²C-bus may be used for test and diagnostic purposes

A typical I²C-bus configuration is shown in Figure 1. Depending on the state of the direction bit (R/W), two types of data transfers are possible on the I²C-bus:

- Data transfer from a master transmitter to a slave receiver. The first byte transmitted by the master is the slave address. Next follows a number of data bytes. The slave returns an acknowledge bit after each received byte.
- Data transfer from a slave transmitter to a master receiver. The first byte (the slave address) is transmitted by the master. The slave then returns an acknowledge bit. Next follows the data bytes transmitted by the slave to the master. The master returns an acknowledge bit after all received bytes other than the last byte. At the end of the last received byte, a “not acknowledge” is returned. The master device generates all of the serial clock pulses and the START and STOP conditions. A transfer is ended with a STOP condition or with a repeated START condition. Since a repeated START condition is also the beginning of the next serial transfer, the I²C-bus will not be released.

The **P89LPC930/931** device provides a byte-oriented I²C interface. It has four operation modes: Master Transmitter Mode, Master Receiver Mode, Slave Transmitter Mode and Slave Receiver Mode.

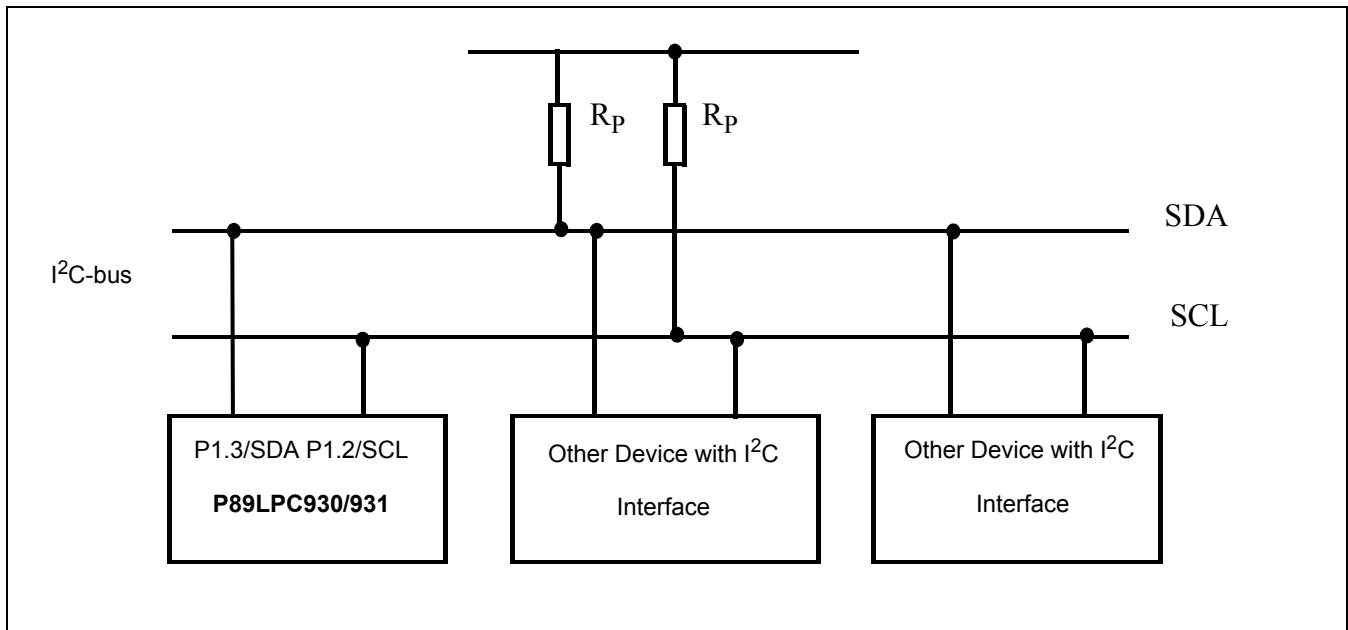


Figure 1: I²C-bus configuration

The **P89LPC930/931** CPU interfaces with the I²C-bus through six Special Function Registers (SFRs): I2CON (I²C Control Register), I2DAT (I²C Data Register), I2STAT (I²C Status Register), I2ADR (I²C Slave Address Register), I2SCLH (SCL Duty Cycle Register High Byte), and I2SCLL (SCL Duty Cycle Register Low Byte).

I²C INTERFACE

P89LPC930/931

I²C Data register

I2DAT register contains the data to be transmitted or the data received. The CPU can read and write to this 8-bit register while it is not in the process of shifting a byte. Thus this register should only be accessed when the SI bit is set. Data in I2DAT remains stable as long as the SI bit is set. Data in I2DAT is always shifted from right to left: the first bit to be transmitted is the MSB (bit 7), and after a byte has been received, the first bit of received data is located at the MSB of I2DAT.

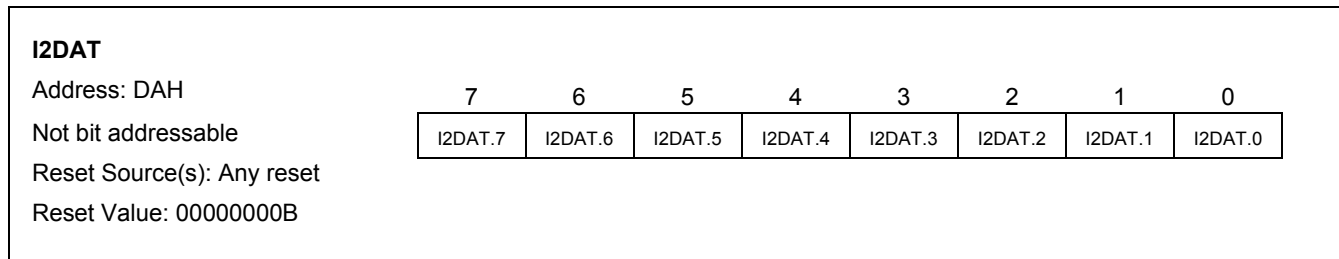


Figure 2: I²C Data register

I²C Slave Address register

I2ADR register is readable and writable, and is only used when the I²C interface is set to slave mode. In master mode, this register has no effect. The LSB of I2ADR is general call bit. When this bit is set, the general call address (00h) is recognized.

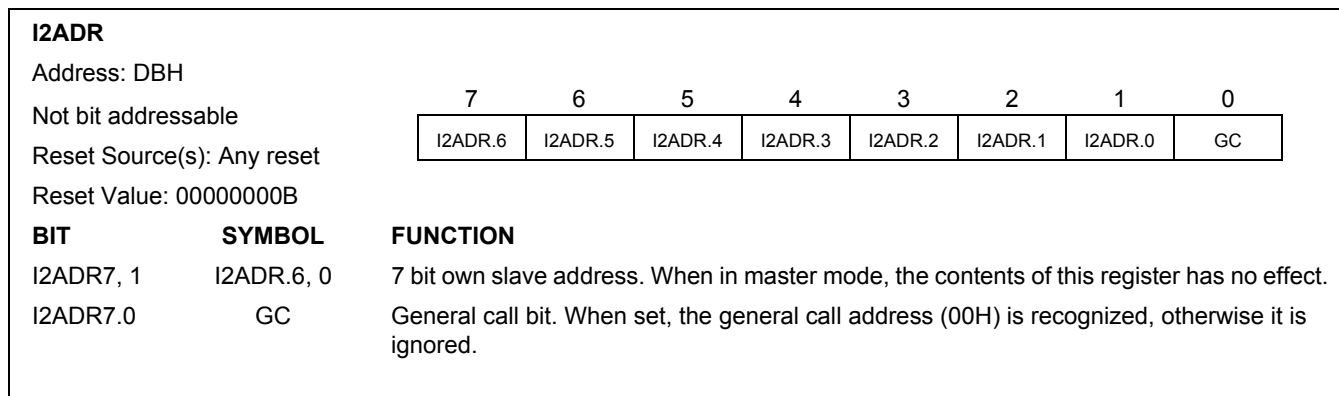


Figure 3: I²C Slave Address register

I²C Control register

The CPU can read and write this register. There are two bits are affected by hardware: the SI bit and the STO bit. The SI bit is set by hardware and the STO bit is cleared by hardware.

CRSEL determines the SCL source when the I²C is in master mode. In slave mode this bit is ignored and the bus will automatically synchronize with any clock frequency up to 400 kHz from the master I²C device. When CRSEL = 1, the I²C interface uses the Timer1 overflow rate divided by 2 for the I²C clock rate. Timer 1 should be programmed by the user in 8 bit auto-reload mode (Mode 2).

$$\text{Data rate of I}^2\text{C} = \text{Timer overflow rate} / 2 = \text{PCLK} / (2 * (256 - \text{reload value})),$$

If fosc = 12 MHz, reload value is 0 - 255, so I²C data rate range is 11.72 Kbit/sec - 3000 Kbit/sec.

When CRSEL = 0, the I²C interface uses the internal clock generator based on the value of I2SCLL and I2CSCLH register. The duty cycle does not need to be 50%.

I²C INTERFACE

P89LPC930/931

The STA bit is START flag. Setting this bit causes the I²C interface to enter master mode and attempt transmitting a START condition or transmitting a repeated START condition when it is already in master mode.

The STO bit is STOP flag. Setting this bit causes the I²C interface to transmit a STOP condition in master mode, or recovering from an error condition in slave mode.

If the STA and STO are both set, then a STOP condition is transmitted to the I²C-bus if it is in master mode, and transmits a START condition afterwards. If it is in slave mode, an internal STOP condition will be generated, but it is not transmitted to the bus.

I2CON									
Address: D8h		7	6	5	4	3	2	1	0
Bit addressable		-	I2EN	STA	STO	SI	AA	-	CRSEL
Reset Source(s): Any reset									
Reset Value: x00000x0B									
BIT	SYMBOL	FUNCTION							
I2CON.7	-	Reserved for future use. Should not be set to 1 by user programs.							
I2CON.6	I2EN	I ² C Interface Enable. When set, enables the I ² C interface. When clear, the I ² C function is disabled.							
I2CON.5	STA	Start Flag. STA = 1: I ² C enters master mode, checks the bus and generates a START condition if the bus is free. If the bus is not free, it waits for a STOP condition (which will free the bus) and generates a START condition after a delay of a half clock period of the internal clock generator. When the I ² C interface is already in master mode and some data is transmitted or received, it transmits a repeated START condition. STA may be set at any time, it may also be set when the I ² C interface is in an addressed slave mode. STA = 0: no START condition or repeated START condition will be generated.							
I2CON.4	STO	STOP Flag. STO = 1: In master mode, a STOP condition is transmitted to the I ² C-bus. When the bus detects the STOP condition, it will clear STO bit automatically. In slave mode, setting this bit can recover from an error condition. In this case, no STOP condition is transmitted to the bus. The hardware behaves as if a STOP condition has been received and it switches to "not addressed" Slave Receiver Mode. The STO flag is cleared by hardware automatically.							
I2CON.3	SI	I ² C Interrupt Flag. This bit is set when one of the 25 possible I ² C states is entered. When EA bit and EI2C (IEN1.0) bit are both set, an interrupt is requested when SI is set.. Must be cleared by software by writing 0 to this bit.							
I2CON.2	AA	The Assert Acknowledge Flag. When set to 1, an acknowledge (low level to SDA) will be returned during the acknowledge clock pulse on the SCL line on the following situations: (1)The "own slave address" has been received. (2)The general call address has been received while the general call bit(GC) in I2ADR is set. (3) A data byte has been received while the I ² C interface is in the Master Receiver Mode. (4)A data byte has been received while the I ² C interface is in the addressed Slave Receiver Mode When cleared to 0, an not acknowledge (high level to SDA) will be returned during the acknowledge clock pulse on the SCL line on the following situations: (1) A data byte has been received while the I ² C interface is in the Master Receiver Mode. (2) A data byte has been received while the I ² C interface is in the addressed Slave Receiver Mode.							
I2CON.1	-	Reserved for future use. Should not be set to 1 by user programs.							
I2CON.0	CRSEL	SCL clock selection. When set = 1, Timer1 overflow generates SCL, when cleared = 0, the internal SCL generator is used base on values of I2SCLH and I2SCLL.							

Figure 4: I²C Control register

I²C INTERFACE

P89LPC930/931

I²C Status register

This is a read-only register. It contains the status code of I²C interface. The least three bits are always 0. There are 26 possible status codes. When the code is F8H, there is no relevant information available and SI bit is not set. All other 25 status codes correspond to defined I²C states. When any of these states entered, the SI bit will be set. Refer to Table 2 to Table 5 for details.

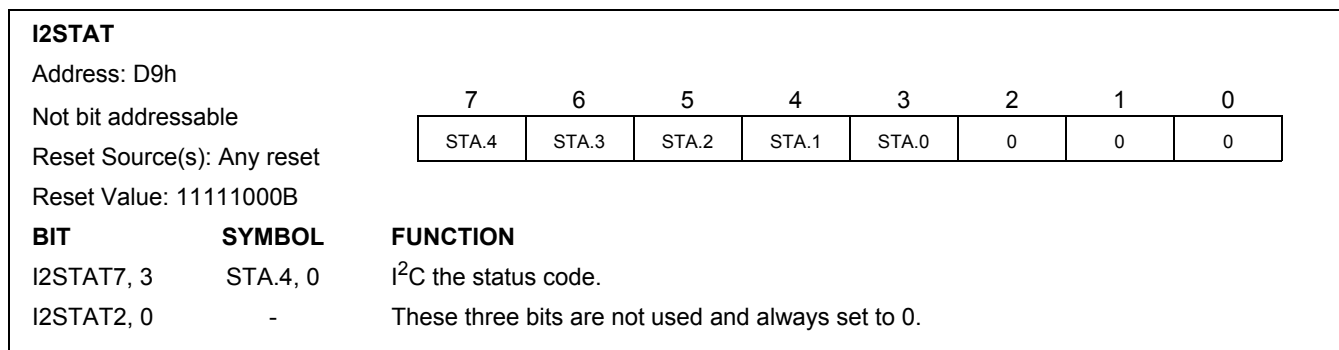


Figure 5: I²C Status register

I²C SCL Duty Cycle registers I2SCLH and I2SCLL

When the internal SCL generator is selected for the I²C interface by setting CRSEL = 0 in the I2CON register, the user must set values for registers I2SCLL and I2SCLH to select the data rate. I2SCLH defines the number of PCLK cycles for SCL = high, I2SCLL defines the number of PCLK cycles for SCL = low. The frequency is determined by the following formula:

$$\text{Bit Frequency} = f_{\text{PCLK}} / (2 * (I2SCLH + I2SCLL))$$

Where f_{PCLK} is the frequency of PCLK.

The values for I2SCLL and I2SCLH do not have to be the same; the user can give different duty cycle's for SCL by setting these two registers. However, the value of the register must ensure that the data rate is in the I²C data rate range of 0 - 400 kHz. Thus the values of I2SCLL and I2SCLH have some restrictions and values for both registers greater than 3 PCLKs are recommended.

Table 1: I²C clock rates selection

I2SCLL + I2SCLH	CRSEL	Bit data rate (Kbit/sec) at f_{osc}				
		7.373 MHz	3.6865 MHz	1.8433 MHz	12 MHz	6 MHz
6	0	-	307	154	-	-
7	0	-	263	132	-	-
8	0	-	230	115	-	375
9	0	-	205	102	-	333
10	0	369	184	92	-	300
15	0	246	123	61	400	200
25	0	147	74	37	240	120
30	0	123	61	31	200	100
50	0	74	37	18	120	60
60	0	61	31	15	100	50

I²C INTERFACE

P89LPC930/931

Table 1: I²C clock rates selection

I2SCLL + I2SCLH	CRSEL	Bit data rate (Kbit/sec) at f _{osc}				
		7.373 MHz	3.6865 MHz	1.8433 MHz	12 MHz	6 MHz
100	0	37	18	9	60	30
150	0	25	12	6	40	20
200	0	18	9	5	30	15
-	1	3.6 - 922 Kbps timer1 in mode2	1.8 - 461 Kbps timer1 in mode 2	0.9 - 230 Kbps timer1 in mode 2	5.86 - 1500 Kbps timer1 in mode 2	2.93 - 750 Kbps timer1 in mode 2

I²C operation mode

Master Transmitter Mode

In this mode data is transmitted from master to slave. Before the Master Transmitter Mode can be entered, I2CON must be initialized as follows:

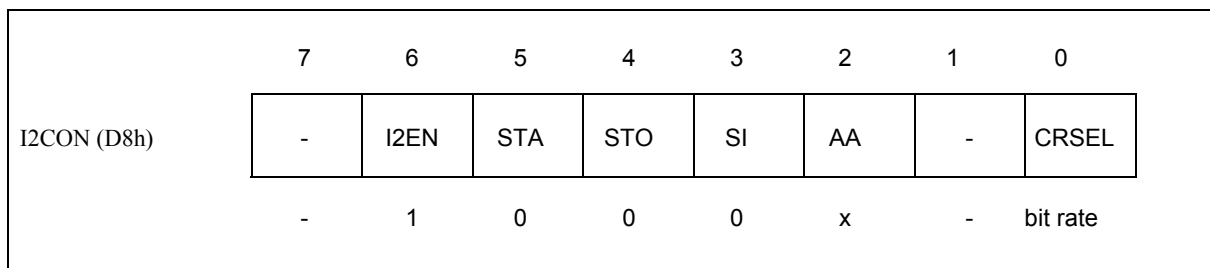


Figure 6: I²C Control register

CRSEL defines the bit rate. I2EN must be set to 1 to enable the I²C function. If the AA bit is 0, it will not acknowledge its own slave address or the general call address in the event of another device becoming master of the bus and it can not enter slave mode. STA, STO, and SI bits must be cleared to 0.

The first byte transmitted contains the slave address of the receiving device (7 bits) and the data direction bit. In this case, the data direction bit (R/W) will be logic 0 indicating a write. Data is transmitted 8 bits at a time. After each byte is transmitted, an acknowledge bit is received. START and STOP conditions are output to indicate the beginning and the end of a serial transfer.

The I²C will enter Master Transmitter Mode by setting the STA bit. The I²C logic will send the START condition as soon as the bus is free. After the START condition is transmitted, the SI bit is set, and the status code in I2STAT should be 08h. This status code must be used to vector to an interrupt service routine where the user should load the slave address to I2DAT (Data Register) and data direction bit (SLA+W). The SI bit must be cleared before the data transfer can continue.

When the slave address and R/W bit have been transmitted and an acknowledgment bit has been received, the SI bit is set again, and the possible status codes are 18h, 20h, or 38h for the master mode or 68h, 78h, or 0B0h if the slave mode was enabled (setting AA = Logic 1). The appropriate action to be taken for each of these status codes is shown in Table 2.

I²C INTERFACE

P89LPC930/931

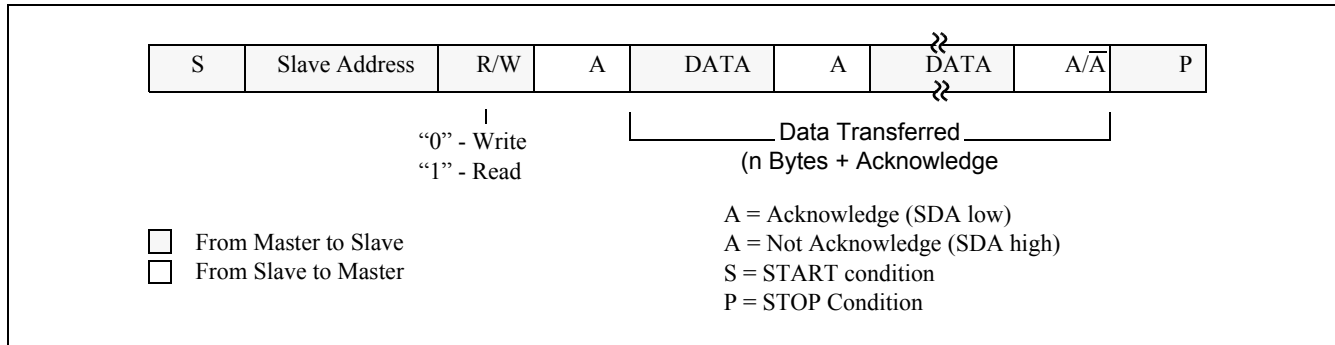


Figure 7: Format in the Master Transmitter Mode

Master Receiver Mode

In the Master Receiver Mode, data is received from a slave transmitter. The transfer started in the same manner as in the Master Transmitter Mode. When the START condition has been transmitted, the interrupt service routine must load the slave address and the data direction bit to I²C Data Register (I2DAT). The SI bit must be cleared before the data transfer can continue.

When the slave address and data direction bit have been transmitted and an acknowledge bit has been received, the SI bit is set, and the Status Register will show the status code. For master mode, the possible status codes are 40H, 48H, or 38H. For slave mode, the possible status codes are 68H, 78H, or B0H. Refer to Table 3 for details.

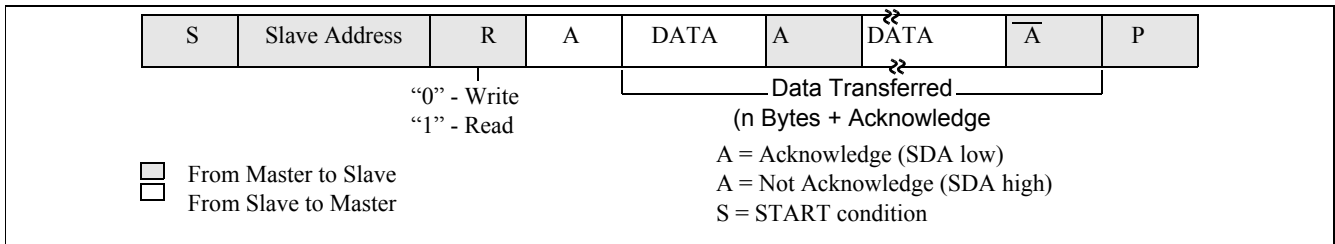


Figure 8: Format of Master Receiver Mode

After a repeated START condition, I²C may switch to the Master Transmitter Mode.

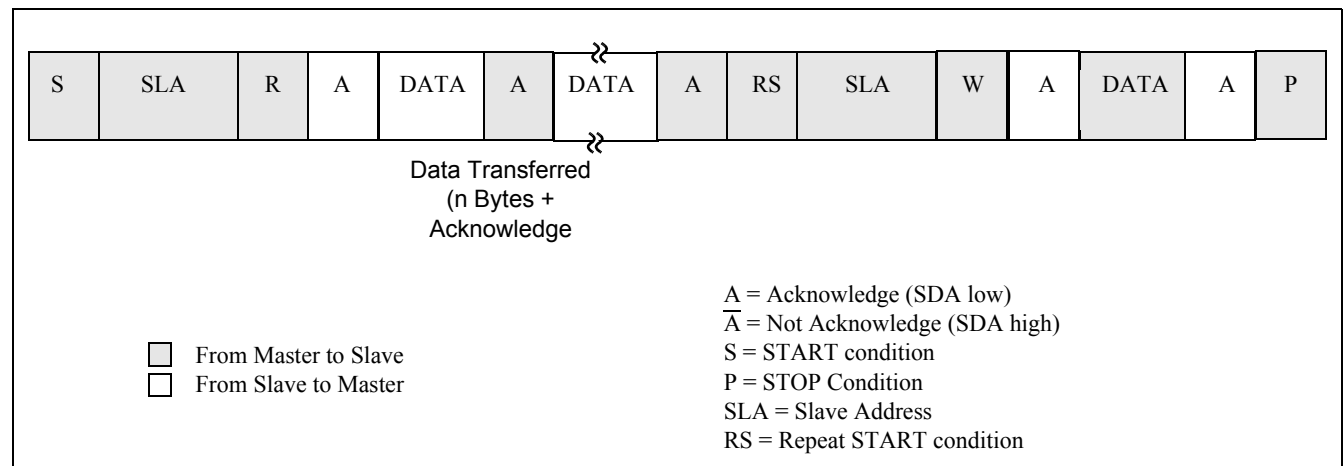


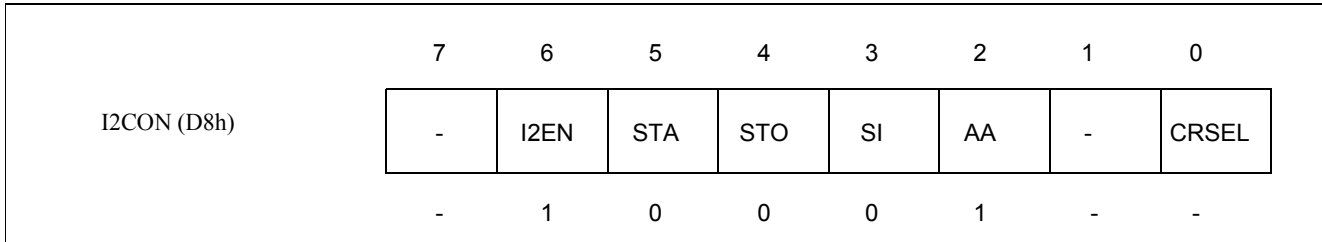
Figure 9: A Master Receiver switches to Master Transmitter after sending Repeated Start

I²C INTERFACE

P89LPC930/931

Slave Receiver Mode

In the Slave Receiver Mode, data bytes are received from a master transmitter. To initialize the Slave Receiver Mode, the user should write the slave address to the Slave Address Register (I2ADR) and the I²C Control Register (I2CON) should be configured as follows:



CRSEL is not used for slave mode. I2EN must be set = 1 to enable I²C function. AA bit must be set = 1 to acknowledge its own slave address or the general call address. STA, STO and SI are cleared to 0.

After I2ADR and I2CON are initialized, the interface waits until it is addressed by its own address or general address followed by the data direction bit which is 0(W). If the direction bit is 1(R), it will enter Slave Transmitter Mode. After the address and the direction bit have been received, the SI bit is set and a valid status code can be read from the Status Register(I2STAT). Refer to Table 4 for the status codes and actions.

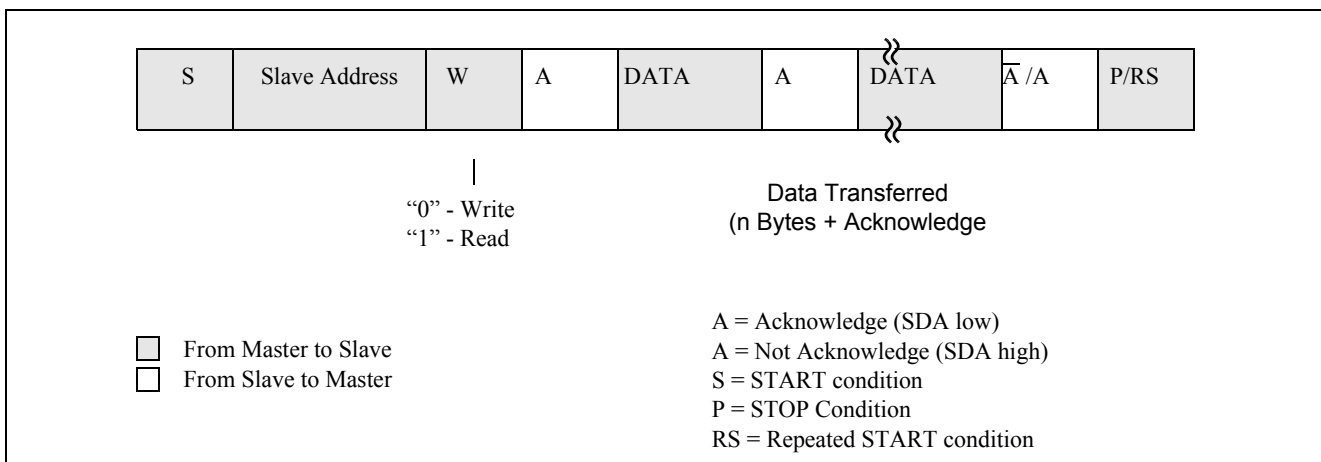


Figure 10: Format of Slave Receiver Mode

Slave Transmitter Mode

The first byte is received and handled as in the Slave Receiver Mode. However, in this mode, the direction bit will indicate that the transfer direction is reversed. Serial data is transmitted via P1.3/SDA while the serial clock is input through P1.2/SCL. START and STOP conditions are recognized as the beginning and end of a serial transfer. In a given application, I²C may operate as a master and as a slave. In the slave mode, the I²C hardware looks for its own slave address and the general call address. If one of these addresses is detected, an interrupt is requested. When the microcontrollers wishes to become the bus master, the hardware waits until the bus is free before the master mode is entered so that a possible slave action is not interrupted. If bus arbitration is lost in the master mode, I²C switches to the slave mode immediately and can detect its own slave address in the same serial transfer.

I²C INTERFACE

P89LPC930/931

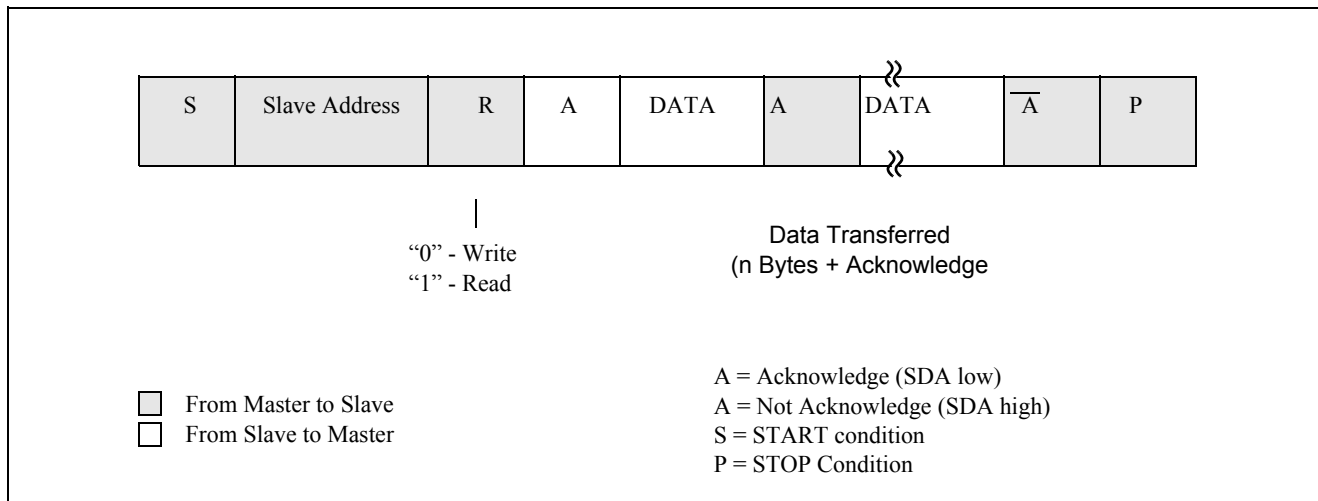


Figure 11: Format of Slave Transmitter Mode

I²C INTERFACE

P89LPC930/931

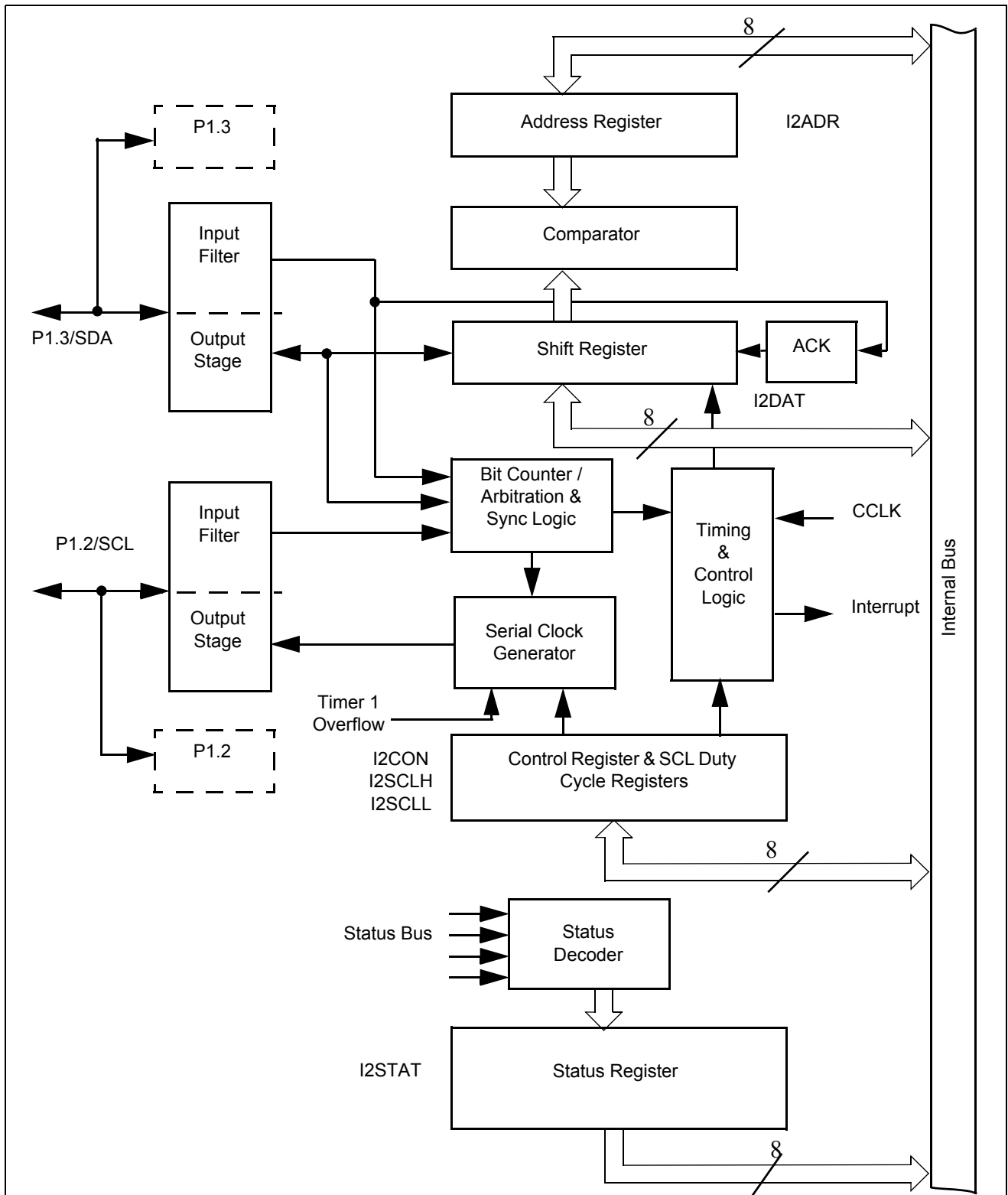


Figure 12: I²C-bus serial interface block diagram

I²C INTERFACE**P89LPC930/931****Table 2: Master Transmitter Mode**

Status code (I2STAT)	Status of the I ² C-bus hardware	Application software response				Next action taken by I ² C hardware	
		to/from I2DAT	to I2CON				
			STA	STO	SI		AA
08H	A START condition has been transmitted	Load SLA+W	x	0	0	x	SLA+W will be transmitted; ACK bit will be received
10H	A repeat START condition has been transmitted	Load SLA+W or Load SLA+R	x	0	0	x	As above; SLA+W will be transmitted; I ² C switches to Master Receiver Mode
18h	SLA+W has been transmitted; ACK has been received	Load data byte or	0	0	0	x	Data byte will be transmitted; ACK bit will be received
		no I2DAT action or	1	0	0	x	Repeated START will be transmitted;
		no I2DAT action or	0	1	0	x	STOP condition will be transmitted; STO flag will be reset
		no I2DAT action	1	1	0	x	STOP condition followed by a START condition will be transmitted; STO flag will be reset.
20h	SLA+W has been transmitted; NOT-ACK has been received	Load data byte or	0	0	0	x	Data byte will be transmitted; ACK bit will be received
		no I2DAT action or	1	0	0	x	Repeated START will be transmitted;
		no I2DAT action or	0	1	0	x	STOP condition will be transmitted; STO flag will be reset
		no I2DAT action	1	1	0	x	STOP condition followed by a START condition will be transmitted; STO flag will be reset
28h	Data byte in I2DAT has been transmitted; ACK has been received	Load data byte or	0	0	0	x	Data byte will be transmitted; ACK bit will be received
		no I2DAT action or	1	0	0	x	Repeated START will be transmitted;
		no I2DAT action or	0	1	0	x	STOP condition will be transmitted; STO flag will be reset
		no I2DAT action	1	1	0	x	STOP condition followed by a START condition will be transmitted; STO flag will be reset

I²C INTERFACE

P89LPC930/931

Table 2: Master Transmitter Mode(Continued)

Status code (I2STAT)	Status of the I ² C-bus hardware	Application software response					Next action taken by I ² C hardware
		to/from I2DAT	to I2CON				
			STA	STO	SI	AA	
30h	Data byte in I2DAT has been transmitted, NOT ACK has been received	Load data byte or	0	0	0	x	Data byte will be transmitted; ACK bit will be received
		no I2DAT action or	1	0	0	x	Repeated START will be transmitted;
		no I2DAT action or	0	1	0	x	STOP condition will be transmitted; STO flag will be reset
		no I2DAT action	1	1	0	x	STOP condition followed by a START condition will be transmitted. STO flag will be reset.
38H	Arbitration lost in SLA+R/W or data bytes	No I2DAT action or	0	0	0	x	I ² C-bus will be released; not addressed slave will be entered
		No I2DAT action	1	0	0	x	A START condition will be transmitted when the bus becomes free.

Table 3: Master Receiver Mode

Status code (I2STAT)	Status of the I ² C-bus hardware	Application software response					Next action taken by I ² C hardware
		to/from I2DAT	to I2CON				
			STA	STO	SI	AA	
08H	A START condition has been transmitted	Load SLA+R	x	0	0	x	SLA+R will be transmitted; ACK bit will be received
10H	A repeat START condition has been transmitted	Load SLA+R or	X	0	0	x	As above
		Load SLA+W	x	0	0	x	SLA+W will be transmitted; I ² C will switch to Master Transmitter Mode
38H	Arbitration lost in NOT ACK bit	no I2DAT action or	0	0	0	x	I ² C will be released; it will enter a slave mode
		no I2DAT action	1	0	0	x	A START condition will be transmitted when the bus becomes free
40h	SLA+R has been transmitted; ACK has been received	no I2DAT action or	0	0	0	0	Data byte will be received; NOT ACK bit will be returned
		no I2DAT action or	0	0	0	1	Data byte will be received; ACK bit will be returned

I²C INTERFACE

P89LPC930/931

Table 3: Master Receiver Mode(Continued)

Status code (I2STAT)	Status of the I ² C-bus hardware	Application software response					Next action taken by I ² C hardware
		to/from I2DAT	to I2CON				
			STA	STO	SI	AA	
48h	SLA+R has been transmitted; NOT ACK has been received	No I2DAT action or	1	0	0	x	Repeated START will be transmitted;
		no I2DAT action or	0	1	0	x	STOP condition will be transmitted; STO flag will be reset
		no I2DAT action or	1	1	0	x	STOP condition followed by a START condition will be transmitted; STO flag will be reset
50h	Data byte has been received; ACK has been returned	Read data byte	0	0	0	0	Data byte will be received; NOT ACK bit will be returned
		read data byte	0	0	0	1	Data byte will be received; ACK bit will be returned
58h	Data byte has been received; NACK has been returned	Read data byte or	1	0	0	x	Repeated START will be transmitted;
		read data byte or	0	1	0	x	STOP condition will be transmitted; STO flag will be reset
		read data byte	1	1	0	x	STOP condition followed by a START condition will be transmitted; STO flag will be reset

Table 4: Slave Receiver Mode

Status code (I2STAT)	Status of the I ² C-bus hardware	Application software response					Next action taken by I ² C hardware
		to/from I2DAT	to I2CON				
			STA	STO	SI	AA	
60H	Own SLA+W has been received; ACK has been received	no I2DAT action or	x	0	0	0	Data byte will be received and NOT ACK will be returned
		no I2DAT action	x	0	0	1	Data byte will be received and ACK will be returned
68H	Arbitration lost in SLA+R/Was master; Own SLA+W has been received, ACK returned	No I2DAT action or	x	0	0	0	Data byte will be received and NOT ACK will be returned
		no I2DAT action	x	0	0	1	Data byte will be received and ACK will be returned
70H	General call address(00H) has been received, ACK has been returned	No I2DAT action or	x	0	0	0	Data byte will be received and NOT ACK will be returned
		no I2DAT action	x	0	0	1	Data byte will be received and ACK will be returned

I²C INTERFACE

P89LPC930/931

Table 4: Slave Receiver Mode(Continued)

Status code (I2STAT)	Status of the I ² C-bus hardware	Application software response					Next action taken by I ² C hardware
		to/from I2DAT	to I2CON				
			STA	STO	SI	AA	
78H	Arbitration lost in SLA+R/W as master; General call address has been received, ACK bit has been returned	no I2DAT action or	x	0	0	0	Data byte will be received and NOT ACK will be returned
		no I2DAT action	x	0	0	1	Data byte will be received and ACK will be returned
80H	Previously addressed with own SLA address; Data has been received; ACK has been returned	Read data byte or	x	0	0	0	Data byte will be received and NOT ACK will be returned
		read data byte	x	0	0	1	Data byte will be received; ACK bit will be returned
88H	Previously addressed with own SLA address; Data has been received; NACK has been returned	Read data byte or	0	0	0	0	Switched to not addressed SLA mode; no recognition of own SLA or general address
		read data byte or	0	0	0	1	Switched to not addressed SLA mode; Own SLA will be recognized; general call address will be recognized if I2ADR.0=1
		read data byte or	1	0	0	0	Switched to not addressed SLA mode; no recognition of own SLA or General call address. A START condition will be transmitted when the bus becomes free
		read data byte	1	0	0	1	Switched to not addressed SLA mode; Own slave address will be recognized; General call address will be recognized if I2ADR.0=1. A START condition will be transmitted when the bus becomes free.
90H	Previously addressed with General call; Data has been received; ACK has been returned	Read data byte or	x	0	0	0	Data byte will be received and NOT ACK will be returned
		read data byte	x	0	0	1	Data byte will be received and ACK will be returned

I²C INTERFACE

P89LPC930/931

Table 4: Slave Receiver Mode(Continued)

Status code (I2STAT)	Status of the I ² C-bus hardware	Application software response					Next action taken by I ² C hardware
		to/from I2DAT	to I2CON				
			STA	STO	SI	AA	
98H	Previously addressed with General call; Data has been received; NACK has been returned	Read data byte	0	0	0	0	Switched to not addressed SLA mode; no recognition of own SLA or General call address
		read data byte	0	0	0	1	Switched to not addressed SLA mode; Own slave address will be recognized; General call address will be recognized if I2ADR.0=1.
		read data byte	1	0	0	0	Switched to not addressed SLA mode; no recognition of own SLA or General call address. A START condition will be transmitted when the bus becomes free.
		read data byte	1	0	0	1	Switched to not addressed SLA mode; Own slave address will be recognized; General call address will be recognized if I2ADR.0=1. A START condition will be transmitted when the bus becomes free.
A0H	A STOP condition or repeated START condition has been received while still addressed as SLA/ REC or SLA/TRX	No I2DAT action	0	0	0	0	Switched to not addressed SLA mode; no recognition of own SLA or General call address
		no I2DAT action	0	0	0	1	Switched to not addressed SLA mode; Own slave address will be recognized; General call address will be recognized if I2ADR.0=1.
		no I2DAT action	1	0	0	0	Switched to not addressed SLA mode; no recognition of own SLA or General call address. A START condition will be transmitted when the bus becomes free.
		no I2DAT action	1	0	0	1	Switched to not addressed SLA mode; Own slave address will be recognized; General call address will be recognized if I2ADR.0=1. A START condition will be transmitted when the bus becomes free.

I²C INTERFACE

P89LPC930/931

Table 5: Slave Transmitter Mode

Status code (I2STAT)	Status of the I ² C-bus hardware	Application software response				Next action taken by I ² C hardware	
		to/from I2DAT	to I2CON				
			STA	STO	SI		AA
A8h	Own SLA+R has been received; ACK has been returned	Load data byte or	x	0	0	0	Last data byte will be transmitted and ACK bit will be received
		load data byte	x	0	0	1	Data byte will be transmitted; ACK will be received
B0h	Arbitration lost in SLA+R/W as master; Own SLA+R has been received, ACK has been returned	Load data byte or	x	0	0	0	Last data byte will be transmitted and ACK bit will be received
		load data byte	x	0	0	1	Data byte will be transmitted; ACK bit will be received
B8H	Data byte in I2DAT has been transmitted; ACK has been received	Load data byte or	x	0	0	0	Last data byte will be transmitted and ACK bit will be received
		load data byte	x	0	0	1	Data byte will be transmitted; ACK will be received
C0H	Data byte in I2DAT has been transmitted; NACK has been received	No I2DAT action or	0	0	0	0	Switched to not addressed SLA mode; no recognition of own SLA or General call address.
		no I2DAT action or	0	0	0	1	Switched to not addressed SLA mode; Own slave address will be recognized; General call address will be recognized if I2ADR.0=1.
		no I2DAT action or	1	0	0	0	Switched to not addressed SLA mode; no recognition of own SLA or General call address. A START condition will be transmitted when the bus becomes free.
		no I2DAT action	1	0	0	1	Switched to not addressed SLA mode; Own slave address will be recognized; General call address will be recognized if I2ADR.0=1. A START condition will be transmitted when the bus becomes free.

I²C INTERFACE

P89LPC930/931

Table 5: Slave Transmitter Mode(Continued)

Status code (I2STAT)	Status of the I ² C-bus hardware	Application software response				Next action taken by I ² C hardware	
		to/from I2DAT	to I2CON				
			STA	STO	SI		AA
C8H	Last data byte in I2DAT has been transmitted(AA=0); ACK has been received	No I2DAT action or	0	0	0	0	Switched to not addressed SLA mode; no recognition of own SLA or General call address.
		no I2DAT action or	0	0	0	1	Switched to not addressed SLA mode; Own slave address will be recognized; General call address will be recognized if I2ADR.0=1.
		no I2DAT action or	1	0	0	0	Switched to not addressed SLA mode; no recognition of own SLA or General call address. A START condition will be transmitted when the bus becomes free.
		no I2DAT action	1	0	0	1	Switched to not addressed SLA mode; Own slave address will be recognized; General call address will be recognized if I2ADR.0=1. A START condition will be transmitted when the bus becomes free.

For more information about the I²C interface, please refer to the I²C specification.

SERIAL PERIPHERAL INTERFACE (SPI)

P89LPC930/931

11. SERIAL PERIPHERAL INTERFACE (SPI)

The **P89LPC930/931** provides another high-speed serial communication interface, the SPI interface. SPI is a full-duplex, high-speed, synchronous communication bus with two operation modes: Master mode and Slave mode. Up to 3 Mbit/s can be supported in either Master or Slave mode. It has a Transfer Completion Flag and Write Collision Flag Protection.

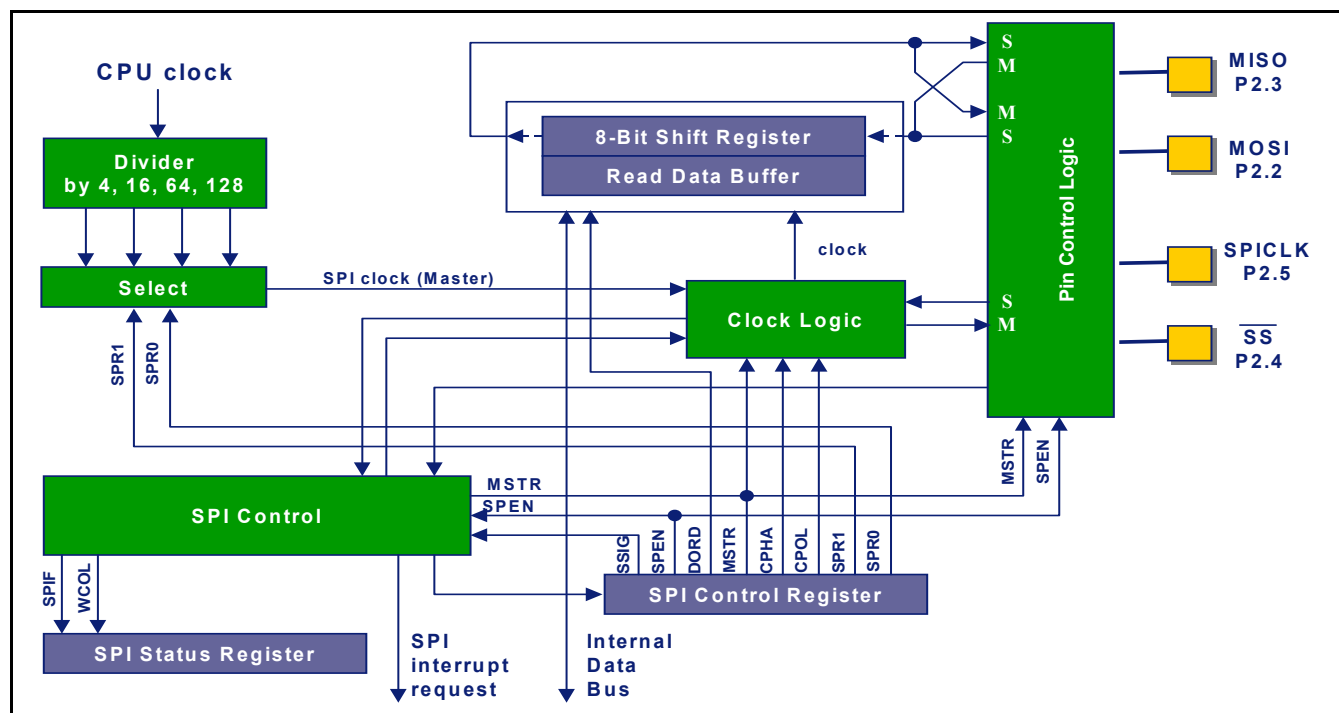


Figure 11-1: SPI block diagram

The SPI interface has four pins: SPICLK, MOSI, MISO and \overline{SS} :

- SPICLK, MOSI and MISO are typically tied together between two or more SPI devices. Data flows from master to slave on the MOSI (Master Out Slave In) pin and flows from slave to master on the MISO (Master In Slave Out) pin. The SPICLK signal is output in the master mode and is input in the slave mode. If the SPI system is disabled, i.e. SPEN (SPCTL.6) = 0 (reset value), these pins are configured for port functions.
- \overline{SS} is the optional slave select pin. In a typical configuration, an SPI master asserts one of its port pins to select one SPI device as the current slave. An SPI slave device uses its \overline{SS} pin to determine whether it is selected. The \overline{SS} is ignored if any of the following conditions are true:
 - If the SPI system is disabled, i.e. SPEN (SPCTL.6) = 0 (reset value)
 - If the SPI is configured as a master, i.e., MSTR (SPCTL.4) = 1, and P2.4 is configured as an output (via the P2M1.4 and P2M2.4 SFR bits);
 - If the \overline{SS} pin is ignored, i.e. SSIG (SPCTL.7) bit = 1, this pin is configured for port functions.

Note that even if the SPI is configured as a master (MSTR = 1), it can still be converted to a slave by driving the \overline{SS} pin low (if P2.4 is configured as input and SSIG = 0). Should this happen, the SPIF bit (SPSTAT.7) will be set (see section "Mode change on \overline{SS} ").

Typical connections are shown in Figures 11-5 - 11-7.

- The **89LPC913** does not have the slave select pin, \overline{SS} . The SPI interface is set to Master mode and an I/O pin may be used to implement the SS function. Typical connections are shown in Figure 11-5 and Figure 11-7.

SERIAL PERIPHERAL INTERFACE (SPI)

P89LPC930/931

SPCTL		7	6	5	4	3	2	1	0
Address: E2h		SSIG	SPEN	DORD	MSTR	CPOL	CPHA	SPR1	SPR0
Not bit addressable									
Reset Source(s): Any reset									
Reset Value: 00000100B									
BIT	SYMBOL	FUNCTION							
SPCTL.7	SSIG	\overline{SS} Ignore. If set = 1, MSTR (bit 4) decides whether the device is a master or slave. If cleared = 0, the \overline{SS} pin decides whether the device is master or slave. The \overline{SS} pin can be used as a port pin (see Table 11-1).							
SPCTL.6	SPEN	SPI Enable. If set = 1, the SPI is enabled. If cleared = 0, the SPI is disabled and all SPI pins will be port pins.							
SPCTL.5	DORD	SPI Data ORDER. 1: The LSB of the data word is transmitted first. 0: The MSB of the data word is transmitted first.							
SPCTL.4	MSTR	Master/Slave mode Select (see Table 11-1).							
SPCTL.3	CPOL	SPI Clock POLarity (see Figures 11-8 - 11-11): 1: SPICLK is high when idle. The leading edge of SPICLK is the falling edge and the trailing edge is the rising edge. 0: SPICLK is low when idle. The leading edge of SPICLK is the rising edge and the trailing edge is the falling edge.							
SPCTL.2	CPHA	SPI Clock PHAse select (see Figures 11-8 - 11-11): 1: Data is driven on the leading edge of SPICLK, and is sampled on the trailing edge. 0: Data is driven when SS is low (SSIG = 0) and changes on the trailing edge of SPICLK, and is sampled on the leading edge. (Note: If SSIG = 1, the operation is not defined.)							
SPCTL.1-0	SPR1-SPR0	SPI Clock Rate Select: <u>SPR1-SPR0</u> <u>SPI Clock Rate</u> 0 0 CCLK/4 0 1 CCLK/16 1 0 CCLK/64 1 1 CCLK/128							

Figure 11-2: SPI Control register

SERIAL PERIPHERAL INTERFACE (SPI)

P89LPC930/931

SPSTAT							
Address: E1h							
Not bit addressable							
Reset Source(s): Any reset							
Reset Value: 00xxxxxB							
7	6	5	4	3	2	1	0
SPIF	WCOL	-	-	-	-	-	-
BIT	SYMBOL	FUNCTION					
SPSTAT.7	SPIF	SPI Transfer Completion Flag. When a serial transfer finishes, the SPIF bit is set and an interrupt is generated if both the ESPI (IEN1.3) bit and the EA bit are set. If \overline{SS} is an input and is driven low when SPI is in master mode, and SSIG = 0, this bit will also be set (see section "Mode change on SS"). The SPIF flag is cleared in software by writing '1' to this bit.					
SPSTAT.6	WCOL	SPI Write Collision Flag. The WCOL bit is set if the SPI data register, SPDAT, is written during a data transfer (see section "Write collision"). The WCOL flag is cleared in software by writing '1' to this bit.					
SPSTAT.5-0	-	Reserved for future use. Should not be set to 1 by user programs.					

Figure 11-3: SPI Status register definition

SPDAT							
Address: E3h							
Not bit addressable							
Reset Source(s): Any reset							
Reset Value: 00000000B							
7	6	5	4	3	2	1	0
MSB							LSB
BIT	SYMBOL	FUNCTION					
SPD.7-0	-	Bit 7-0 of data transferred.					

Figure 11-4: SPI Data register

TYPICAL SPI CONFIGURATIONS

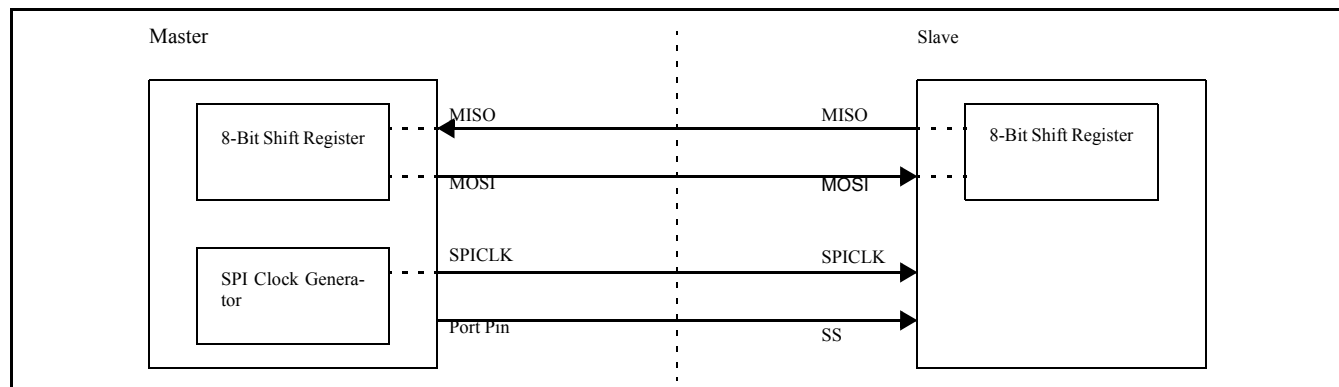


Figure 11-5: SPI single master single slave configuration

In Figure 11-5, SSIG (SPCTL.7) for the slave is '0', and \overline{SS} is used to select the slave. The SPI master can use any port pin (including P2.4/ \overline{SS}) to drive the SS pin.

SERIAL PERIPHERAL INTERFACE (SPI)

P89LPC930/931

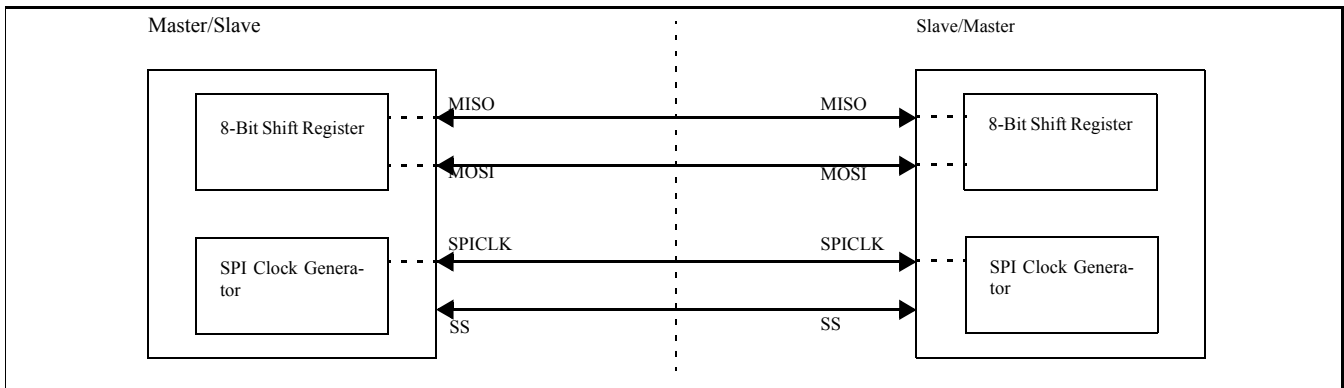


Figure 11-6: SPI dual device configuration, where either can be a master or a slave.

Figure 11-6 shows a case where two devices are connected to each other and either device can be a master or a slave. When no SPI operation is occurring, both can be configured as masters (MSTR = 1) with SSIG cleared to 0 and P2.4 (\overline{SS}) configured in quasi-bidirectional mode. When a device initiates a transfer, it can configure P2.4 as an output and drive it low, forcing a mode change in the other device (see section "Mode change on \overline{SS} ") to slave.

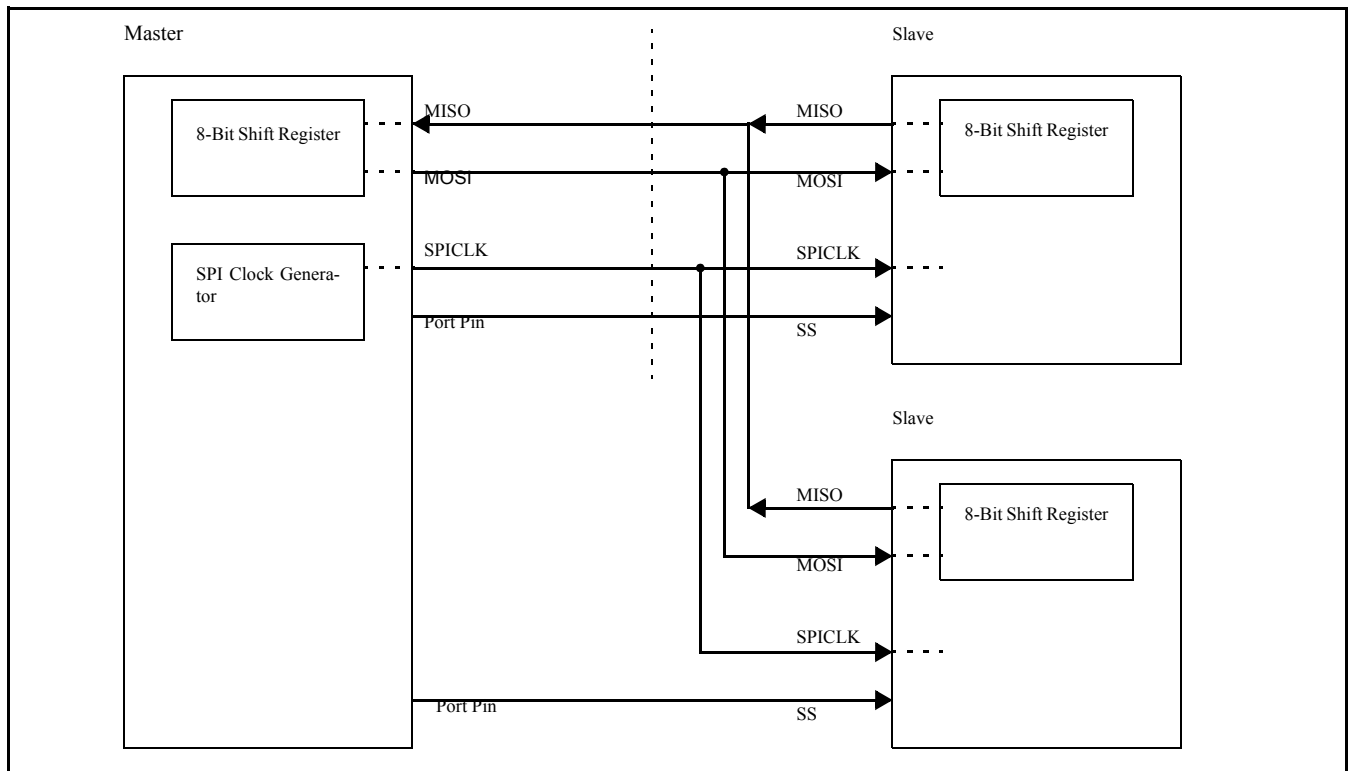


Figure 11-7: SPI single master multiple slaves configuration

In Figure 11-7, SSIG (SPCTL.7) bits for the slaves are '0', and the slaves are selected by the corresponding \overline{SS} signals. The SPI master can use any port pin (including P2.4/ \overline{SS}) to drive the \overline{SS} pins.

SERIAL PERIPHERAL INTERFACE (SPI)**P89LPC930/931****CONFIGURING THE SPI**

Table 11-1 shows configuration for the master/slave modes as well as usages and directions for the modes.

Table 11-1: SPI master and slave selection

SPEN (SPCTL. 6)	SSIG (SPCTL. 7)	\overline{SS} Pin	MSTR (SPCTL. 4)	Master or Slave Mode	MISO	MOSI	SPICLK	Remarks
0	X	P2.4 ¹	X	SPI Disabled	P2.3 ¹	P2.2 ¹	P2.5 ¹	SPI disabled. P2.2, P2.3, P2.4, P2.5 are used as port pins.
1	0	0	0	Slave	output	input	input	Selected as slave.
1	0	1	0	Slave	Hi-Z	input	input	Not selected. MISO is high impedance to avoid bus contention.
1	0	0	1 (-> 0) ²	Slave	output	input	input	P2.4/ \overline{SS} is configured as an input or quasi-bidirectional pin. SSIG is 0. Selected externally as slave if \overline{SS} is selected and is driven low. The MSTR bit will be cleared to '0' when \overline{SS} becomes low.
1	0	1	1	Master (idle)	input	Hi-Z	Hi-Z	MOSI and SPICLK are at high impedance to avoid bus contention when the MAster is idle. The application must pull-up or pull-down SPICLK (depending on CPOL - SPCTL.3) to avoid a floating SPICLK.
				Master (active)		output	output	MOSI and SPICLK are push-pull when the Master is active.
1	1	P2.4 ¹	0	Slave	output	input	input	
1	1	P2.4 ¹	1	Master	input	output	output	

1. Selected as a port function.
2. The MSTR bit changes to '0' automatically when \overline{SS} becomes low in input mode and SSIG is 0.

ADDITIONAL CONSIDERATIONS FOR A SLAVE

When CPHA equals zero, SSIG must be '0' and the \overline{SS} pin must be negated and reasserted between each successive serial byte. If the SPDAT register is written while \overline{SS} is active (low), a write collision error results. The operation is undefined if CPHA is '0' and SSIG is '1'.

When CPHA equals one, SSIG may be set to '1'. If SSIG = 0, the \overline{SS} pin may remain active low between successive transfers (can be tied low at all times). This format is sometimes preferred in systems having a single fixed master and a single slave driving the MISO data line.

ADDITIONAL CONSIDERATIONS FOR A MASTER

In SPI, transfers are always initiated by the master. If the SPI is enabled (SPEN = 1) and selected as master, writing to the SPI data register by the master starts the SPI clock generator and data transfer. The data will start to appear on MOSI about one half SPI bit-time to one SPI bit-time after data is written to SPDAT.

SERIAL PERIPHERAL INTERFACE (SPI)

P89LPC930/931

Note that the master can select a slave by driving the \overline{SS} pin of the corresponding device low. Data written to the SPDAT register of the master is shifted out of the MOSI pin of the master to the MOSI pin of the slave, at the same time the data in SPDAT register in slave side is shifted out on MISO pin to the MISO pin of the master.

After shifting one byte, the SPI clock generator stops, setting the transfer completion flag (SPIF) and an interrupt will be created if the SPI interrupt is enabled (ESPI, or IEN1.3 = 1). The two shift registers in the master CPU and slave CPU can be considered as one distributed 16-bit circular shift register. When data is shifted from the master to the slave, data is also shifted in the opposite direction simultaneously. This means that during one shift cycle, data in the master and the slave are interchanged.

MODE CHANGE ON \overline{SS}

If SPEN = 1, SSIG = 0 and MSTR = 1, the SPI is enabled in master mode. The \overline{SS} pin can be configured as an input (P2M2.4, P2M1.4 = 00) or quasi-bidirectional (P2M2.4, P2M1.4 = 01). In this case, another master can drive this pin low to select this device as an SPI slave and start sending data to it. To avoid bus contention, the SPI becomes a slave. As a result of the SPI becoming a slave, the MOSI and SPICLK pins are forced to be an input and MISO becomes an output.

The SPIF flag in SPSTAT is set, and if the SPI interrupt is enabled, an SPI interrupt will occur.

User software should always check the MSTR bit. If this bit is cleared by a slave select and the user wants to continue to use the SPI as a master, the user must set the MSTR bit again, otherwise it will stay in slave mode.

WRITE COLLISION

The SPI is single buffered in the transmit direction and double buffered in the receive direction. New data for transmission can not be written to the shift register until the previous transaction is complete. The WCOL (SPSTAT.6) bit is set to indicate data collision when the data register is written during transmission. In this case, the data currently being transmitted will continue to be transmitted, but the new data, i.e., the one causing the collision, will be lost.

While write collision is detected for both a master or a slave, it is uncommon for a master because the master has full control of the transfer in progress. The slave, however, has no control over when the master will initiate a transfer and therefore collision can occur.

For receiving data, received data is transferred into a parallel read data buffer so that the shift register is free to accept a second character. However, the received character must be read from the Data Register before the next character has been completely shifted in. Otherwise, the previous data is lost.

WCOL can be cleared in software by writing '1' to the bit.

DATA MODE

Clock Phase Bit (CPHA) allows the user to set the edges for sampling and changing data. The Clock Polarity bit, CPOL, allows the user to set the clock polarity. Figures 11-8 - 11-11 show the different settings of Clock Phase bit CPHA.

SERIAL PERIPHERAL INTERFACE (SPI)

P89LPC930/931

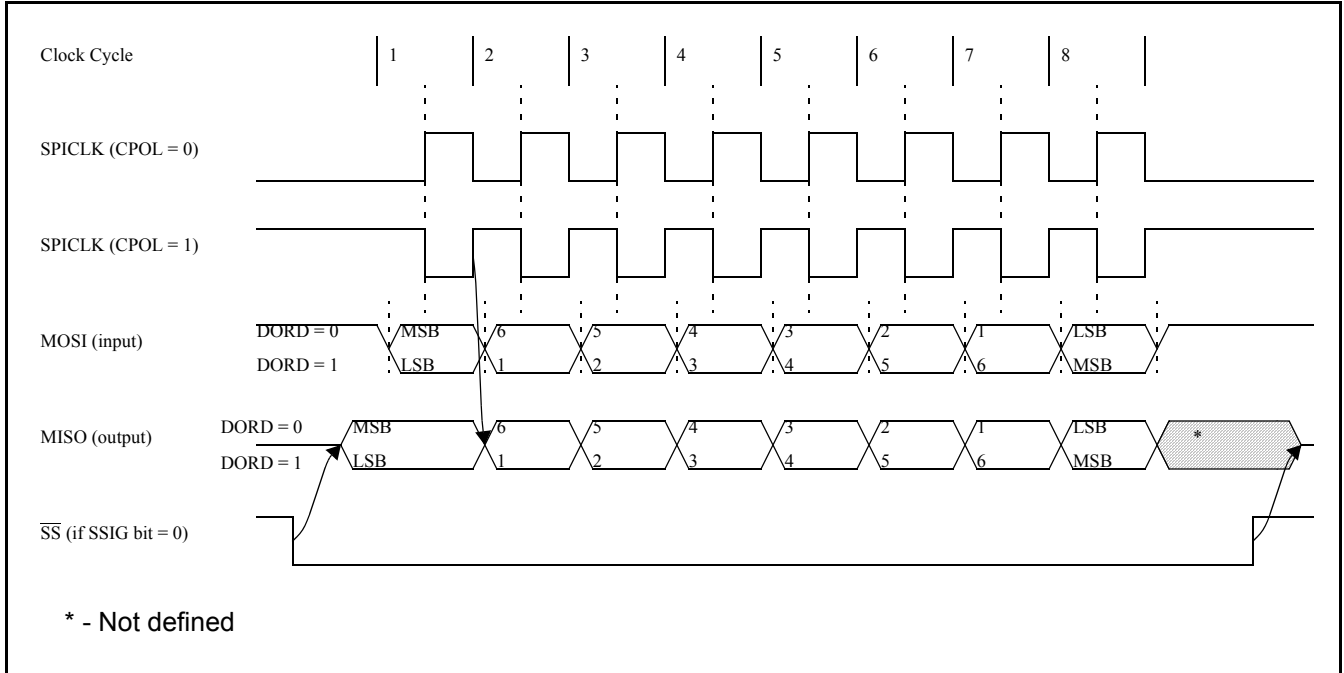


Figure 11-8: SPI slave transfer format with CPHA = 0

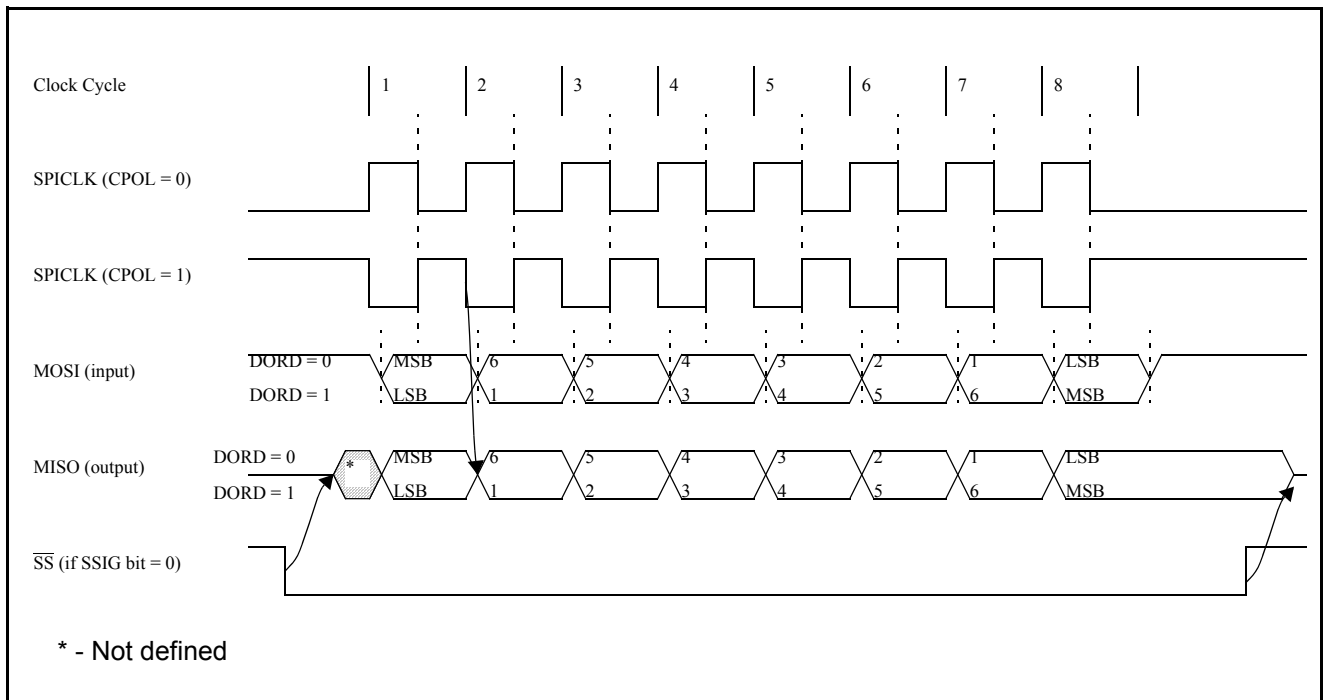


Figure 11-9: SPI slave transfer format with CPHA = 1

SERIAL PERIPHERAL INTERFACE (SPI)

P89LPC930/931

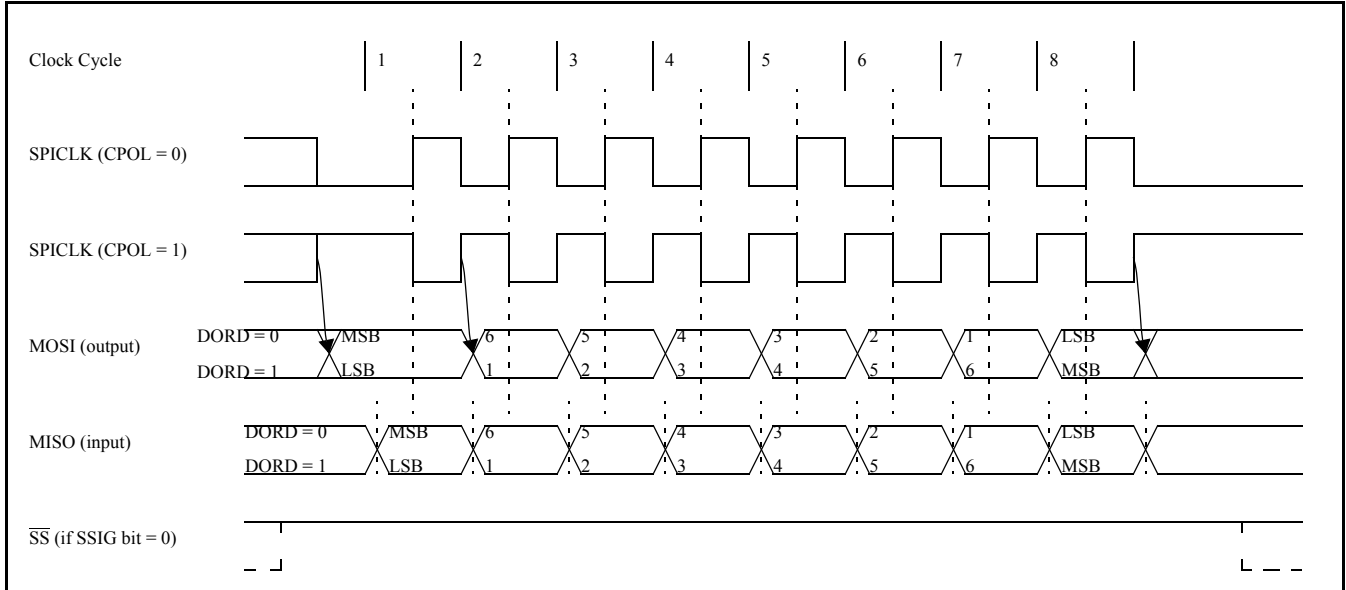


Figure 11-10: SPI master transfer format with CPHA = 0

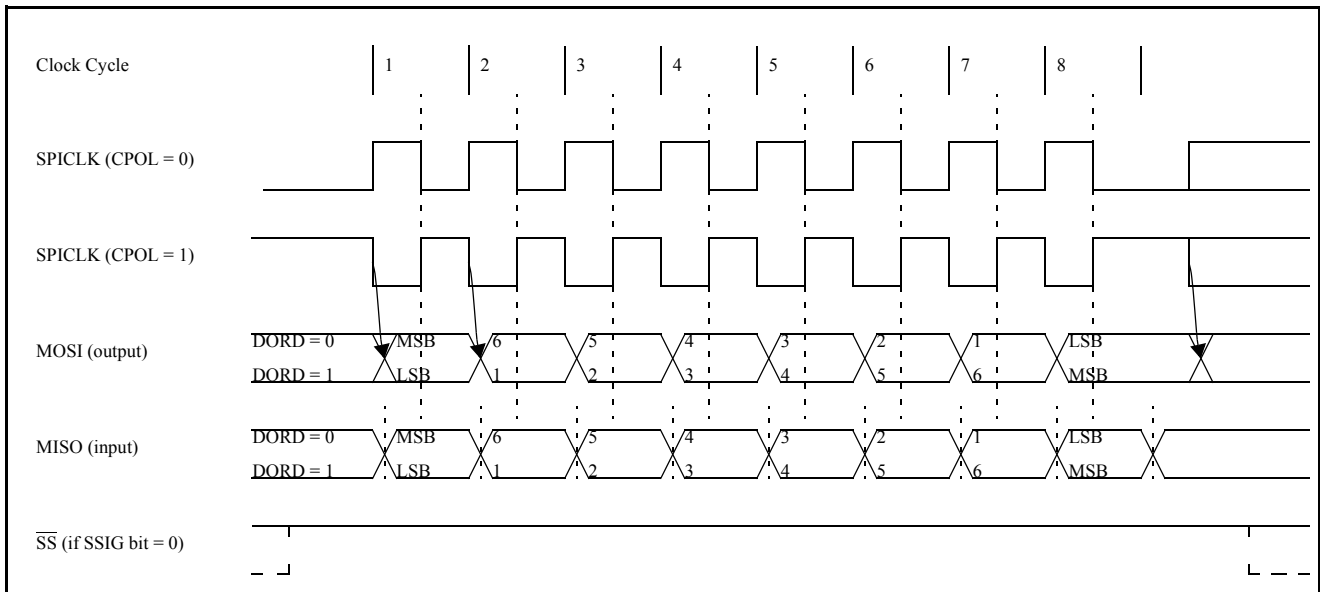


Figure 11-11: SPI master transfer format with CPHA = 1

SPI CLOCK PRESCALER SELECT

The SPI clock prescaler selection uses the SPR1-SPR0 bits in the SPCTL register (see Figure 11-2).

ANALOG COMPARATORS

P89LPC930/931

12. ANALOG COMPARATORS

Two analog comparators are provided on the **P89LPC930/931**. Input and output options allow use of the comparators in a number of different configurations. Comparator operation is such that the output is a logical one (which may be read in a register and/or routed to a pin) when the positive input (one of two selectable pins) is greater than the negative input (selectable from a pin or an internal reference voltage). Otherwise the output is a zero. Each comparator may be configured to cause an interrupt when the output value changes.

Comparator configuration

Each comparator has a control register, CMP1 for comparator 1 and CMP2 for comparator 2. The control registers are identical and are shown in Figure 12-1.

The overall connections to both comparators are shown in Figure 12-2. There are eight possible configurations for each comparator, as determined by the control bits in the corresponding CMPn register: CPn, CNn, and OEn. These configurations are shown in Figure 12-3.

When each comparator is first enabled, the comparator output and interrupt flag are not guaranteed to be stable for 10 microseconds. The corresponding comparator interrupt should not be enabled during that time, and the comparator interrupt flag must be cleared before the interrupt is enabled in order to prevent an immediate interrupt service.

CMPn																		
Address: ACh (CMP1), ADh (CMP2)																		
Not bit addressable																		
Reset Source(s): Any reset																		
Reset Value: xx00000B																		
		<table border="1" style="width: 100%; border-collapse: collapse;"> <tr> <td style="width: 12.5%; text-align: center;">7</td> <td style="width: 12.5%; text-align: center;">6</td> <td style="width: 12.5%; text-align: center;">5</td> <td style="width: 12.5%; text-align: center;">4</td> <td style="width: 12.5%; text-align: center;">3</td> <td style="width: 12.5%; text-align: center;">2</td> <td style="width: 12.5%; text-align: center;">1</td> <td style="width: 12.5%; text-align: center;">0</td> </tr> <tr> <td style="text-align: center;">-</td> <td style="text-align: center;">-</td> <td style="text-align: center;">CEn</td> <td style="text-align: center;">CPn</td> <td style="text-align: center;">CNn</td> <td style="text-align: center;">OEn</td> <td style="text-align: center;">COn</td> <td style="text-align: center;">CMFn</td> </tr> </table>	7	6	5	4	3	2	1	0	-	-	CEn	CPn	CNn	OEn	COn	CMFn
7	6	5	4	3	2	1	0											
-	-	CEn	CPn	CNn	OEn	COn	CMFn											
BIT	SYMBOL	FUNCTION																
CMPn.7, 6	-	Reserved for future use. Should not be set to 1 by user programs.																
CMPn.5	CEn	Comparator enable. When set, the corresponding comparator function is enabled. Comparator output is stable 10 microseconds after CEn is set.																
CMPn.4	CPn	Comparator positive input select. When 0, CINnA is selected as the positive comparator input. When 1, CINnB is selected as the positive comparator input.																
CMPn.3	CNn	Comparator negative input select. When 0, the comparator reference pin CMPREF is selected as the negative comparator input. When 1, the internal comparator reference, Vref, is selected as the negative comparator input.																
CMPn.2	OEn	Output enable. When 1, the comparator output is connected to the CMPn pin if the comparator is enabled (CEn = 1). This output is asynchronous to the CPU clock.																
CMPn.1	COn	Comparator output, synchronized to the CPU clock to allow reading by software.																
CMPn.0	CMFn	Comparator interrupt flag. This bit is set by hardware whenever the comparator output COn changes state. This bit will cause a hardware interrupt if enabled. Cleared by software.																

Figure 12-1: Comparator control registers (CMP1 and CMP2)

ANALOG COMPARATORS

P89LPC930/931

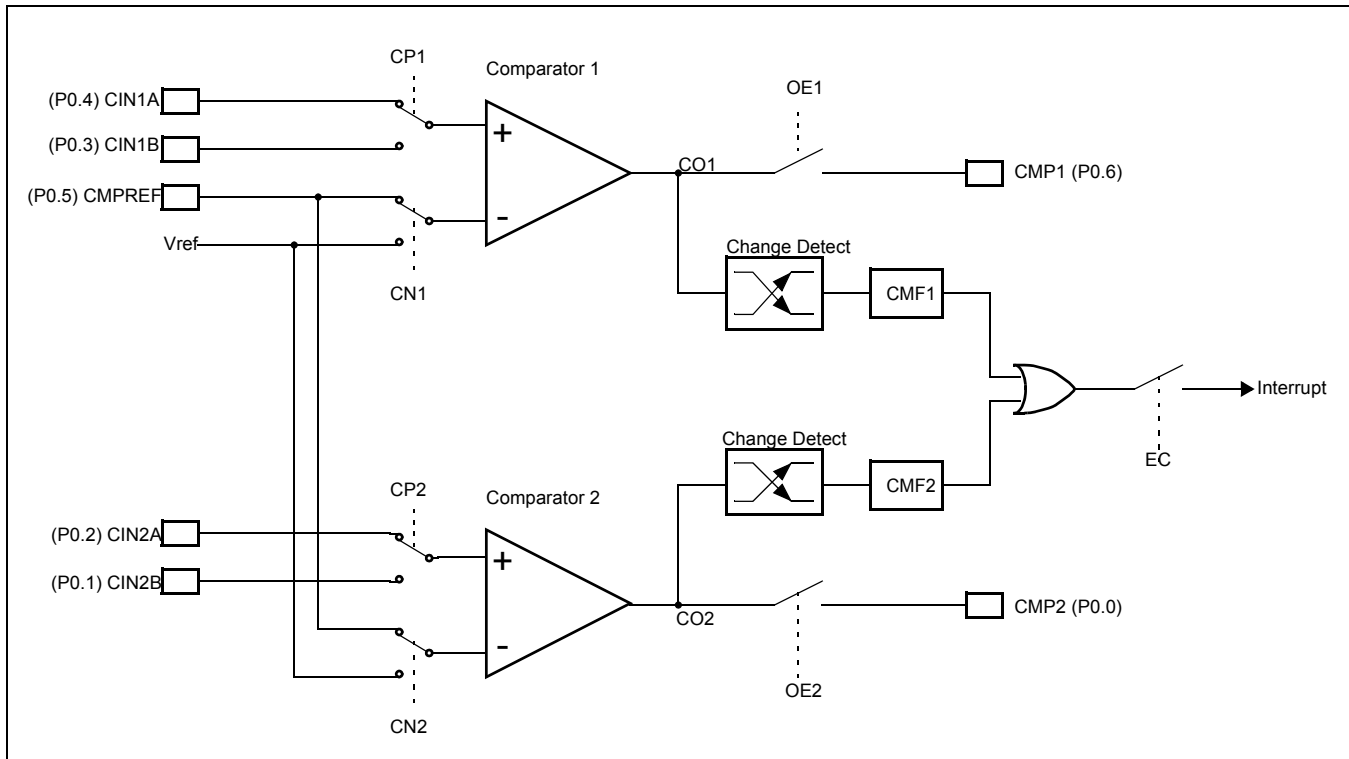


Figure 12-2: Comparator input and output connections

Internal reference voltage

An internal reference voltage, V_{ref} , may supply a default reference when a single comparator input pin is used. Please refer to the Datasheet for specifications.

Comparator interrupt

Each comparator has an interrupt flag CMF_n contained in its configuration register. This flag is set whenever the comparator output changes state. The flag may be polled by software or may be used to generate an interrupt. The two comparators use one common interrupt vector. The interrupt will be generated when the interrupt enable bit EC in the $IEN1$ register is set and the interrupt system is enabled via the EA bit in the $IEN0$ register. If both comparators enable interrupts, after entering the interrupt service routine, the user will need to read the flags to determine which comparator caused the interrupt.

When a comparator is disabled the comparator's output, CO_x , goes high. If the comparator output was low and then is disabled, the resulting transition of the comparator output from a low to high state will set the the comparator flag, CMF_x . This will cause an interrupt if the comparator interrupt is enabled. The user should therefore disable the comparator interrupt prior to disabling the comparator. Additionally, the user should clear the comparator flag, CMF_x , after disabling the comparator.

Comparators and power reduction modes

Either or both comparators may remain enabled when Power down or Idle mode is activated, but both comparators are disabled automatically in Total Power down mode.

If a comparator interrupt is enabled (except in Total Power down mode), a change of the comparator output state will generate an interrupt and wake up the processor. If the comparator output to a pin is enabled, the pin should be configured in the push-pull mode in order to obtain fast switching times while in Power down mode. The reason is that with the **oscillator** stopped, the temporary strong pull-up that normally occurs during switching on a quasi-bidirectional port pin does not take place.

ANALOG COMPARATORS

P89LPC930/931

Comparators consume power in Power down and Idle modes, as well as in the normal operating mode. This should be taken into consideration when system power consumption is an issue. To minimize power consumption, the user can Power down the comparators by disabling the comparators and setting PCONA.5 to '1', or simply putting the device in Total Power down mode.

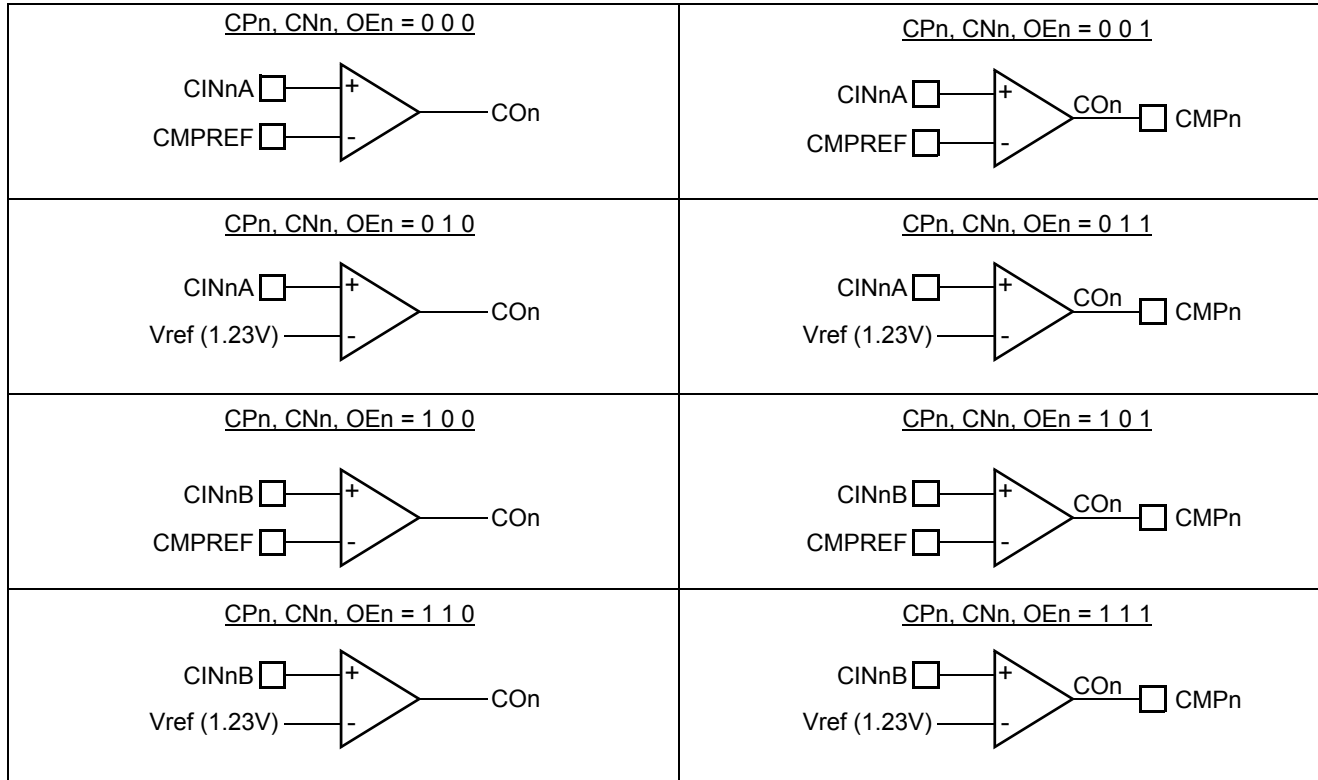


Figure 12-3: Comparator configurations

Comparator configuration example

The code shown below is an example of initializing one comparator. Comparator 1 is configured to use the CIN1A and CMPREF inputs, outputs the comparator result to the CMP1 pin, and generates an interrupt when the comparator output changes.

CMPINIT:

```

MOV   PT0AD,#030h   ; Disable digital INPUTS on pins that are used for analog functions: CIN1A, CMPREF.
ANL   P0M2,#0CFh   ; Disable digital OUTPUTS on pins that are used
ORL   P0M1,#030h   ; for analog functions: CIN1A, CMPREF.
MOV   CMP1,#024h   ; Turn on comparator 1 and set up for:
                ; - Positive input on CIN1A.
                ; - Negative input from CMPREF pin.
                ; - Output to CMP1 pin enabled.

CALL  delay10us    ; The comparator has to start up for at least 10 microseconds before use.
ANL   CMP1,#0FEh   ; Clear comparator 1 interrupt flag.
SETB  EC           ; Enable the comparator interrupt. The priority is left at the current value.
SETB  EA           ; Enable the interrupt system (if needed).

```

ANALOG COMPARATORS

P89LPC930/931

RET ; Return to caller.

The interrupt routine used for the comparator must clear the interrupt flag (CMP1 in this case) before returning.

KEYPAD INTERRUPT (KBI)

13. KEYPAD INTERRUPT (KBI)

The Keypad Interrupt function is intended primarily to allow a single interrupt to be generated when Port 0 is equal to or not equal to a certain pattern. This function can be used for bus address recognition or keypad recognition. The user can configure the port via SFRs for different tasks.

There are three SFRs used for this function. The Keypad Interrupt Mask Register (KBMASK) is used to define which input pins connected to Port 0 are enabled to trigger the interrupt. The Keypad Pattern Register (KBPATN) is used to define a pattern that is compared to the value of Port 0. The Keypad Interrupt Flag (KBIF) in the Keypad Interrupt Control Register (KBCON) is set when the condition is matched while the Keypad Interrupt function is active. An interrupt will be generated if it has been enabled by setting the EKBI bit in IEN1 register and EA = 1. The PATN_SEL bit in the Keypad Interrupt Control Register (KBCON) is used to define equal or not-equal for the comparison.

In order to use the Keypad Interrupt as an original KBI function like in the 87LPC76x series, the user needs to set KBPATN = 0FFH and PATN_SEL = 0 (not equal), then any key connected to Port0 which is enabled by KBMASK register is will cause the hardware to set KBIF = 1 and generate an interrupt if it has been enabled. The interrupt may be used to wake up the CPU from Idle or Power down modes. This feature is particularly useful in handheld, battery powered systems that need to carefully manage power consumption yet also need to be convenient to use.

In order to set the flag and and cause an interrupt, the pattern on Port 0 must be held longer than 6 CCLKs.

KBPATN		
Address: 93h		
Not bit addressable		
Reset Source(s): Any reset		
Reset Value: 11111111B		
BIT	SYMBOL	FUNCTION
KBPATN.7-0	-	Pattern bit 7 - bit 0

7	6	5	4	3	2	1	0
KBPATN.7	KBPATN.6	KBPATN.5	KBPATN.4	KBPATN.3	KBPATN.2	KBPATN.1	KBPATN.0

Figure 13-1: Keypad Pattern register

KBCON		
Address: 94h		
Not bit addressable		
Reset Source(s): Any reset		
Reset Value: xxxxxx00B		
BIT	SYMBOL	FUNCTION
KBCON.7-2	-	Reserved
KBCON.1	PATN_SEL	Pattern Matching Polarity selection. When set, Port 0 has to be equal to the user-defined Pattern in KBPATN to generate the interrupt. When clear, Port 0 has to be not equal to the value of KBPATN register to generate the interrupt.
KBCON.0	KBIF	Keypad Interrupt Flag. Set when Port 0 matches user defined conditions specified in KBPATN, KBMASK, and PATN_SEL. Needs to be cleared by software by writing "0".

7	6	5	4	3	2	1	0
-	-	-	-	-	-	PATN_SEL	KBIF

Figure 13-2: Keypad Control register

KEYPAD INTERRUPT (KBI)

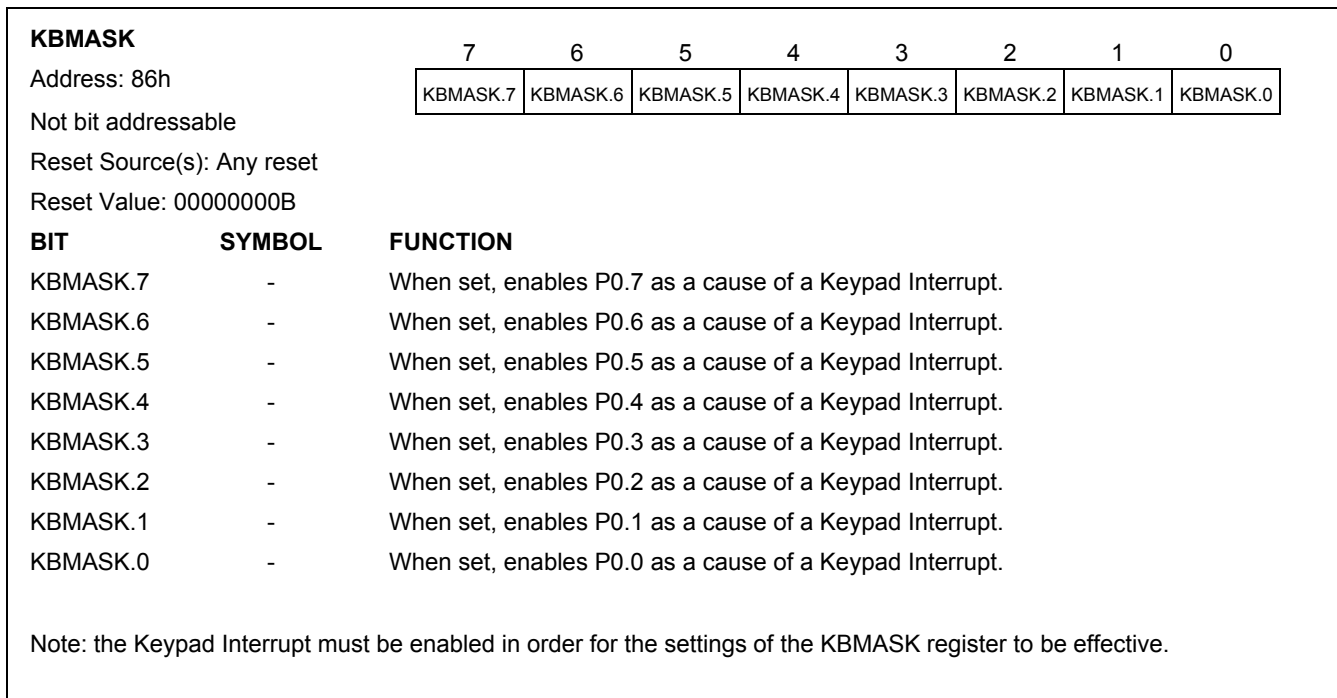


Figure 13-3: Keypad Interrupt Mask register (KBM)

WATCHDOG TIMER

P89LPC930/931

14. WATCHDOG TIMER

The watchdog timer subsystem protects the system from incorrect code execution by causing a system reset when it underflows as a result of a failure of software to feed the timer prior to the timer reaching its terminal count. The watchdog timer can only be reset by a power-on reset.

Watchdog Function

The user has the ability using the WDCON and UCFG1 registers to control the run /stop condition of the WDT, the clock source for the WDT, the prescaler value, and whether the WDT is enabled to reset the device on underflow. In addition, there is a safety mechanism which forces the WDT to be enabled by values programmed into UCFG1 either through IAP or a commercial programmer.

The WDTE bit (UCFG1.7), if set, enables the WDT to reset the device on underflow. Following reset, the WDT will be running regardless of the state of the WDTE bit.

The WDRUN bit (WDCON.2) can be set to start the WDT and cleared to stop the WDT. Following reset this bit will be set and the WDT will be running. All writes to WDCON need to be followed by a feed sequence (see section "Feed Sequence" on page 96). Additional bits in WDCON allow the user to select the clocksource for the WDT and the prescaler.

When the timer is not enabled to reset the device on underflow, the WDT can be used in "timer mode" and be enabled to produce an interrupt (IEN0.6) if desired.

The Watchdog Safety Enable bit, WDSE (UCFG1.4) along with WDTE, is designed to force certain operating conditions at power-up. Refer to the Table for details.

Table 14-1: Watchdog timer configuration

WDTE (UCFG1.7)	WDSE (UCFG1.4)	FUNCTION
0	x	The watchdog reset is disabled. The timer can be used as an internal timer and can be used to generate an interrupt. WDSE has no effect.
1	0	The watchdog reset is enabled. The user can set WDCLK to choose the clock source.
1	1	The watchdog reset is enabled, along with additional safety features: 1. WDCLK is forced to 1 (using watchdog oscillator) 2. WDCON and WDL register can only be written once 3. WDRUN is forced to 1 and cannot be cleared by software.

Figure 14-3 shows the watchdog timer in watchdog mode. It consists of a programmable 13-bit prescaler, and an 8-bit down counter. The down counter is clocked (decremented) by a tap taken from the prescaler. The clock source for the prescaler is either PCLK or the watchdog oscillator selected by the WDCLK bit in the WDCON register. (Note that switching of the clock sources will not take effect immediately - see section "Watchdog Clock Source" on page 98).

The watchdog asserts the watchdog reset when the watchdog count underflows and the watchdog reset is enabled. When the watchdog reset is enabled, writing to WDL or WDCON must be followed by a feed sequence for the new values to take effect.

If a watchdog reset occurs, the internal reset is active for at least one watchdog clock cycle (PCLK or the watchdog oscillator clock). If CCLK is still running, code execution will begin immediately after the reset cycle. If the processor was in Power down mode, the watchdog reset will start the oscillator and code execution will resume after the oscillator is stable.

WATCHDOG TIMER

P89LPC930/931

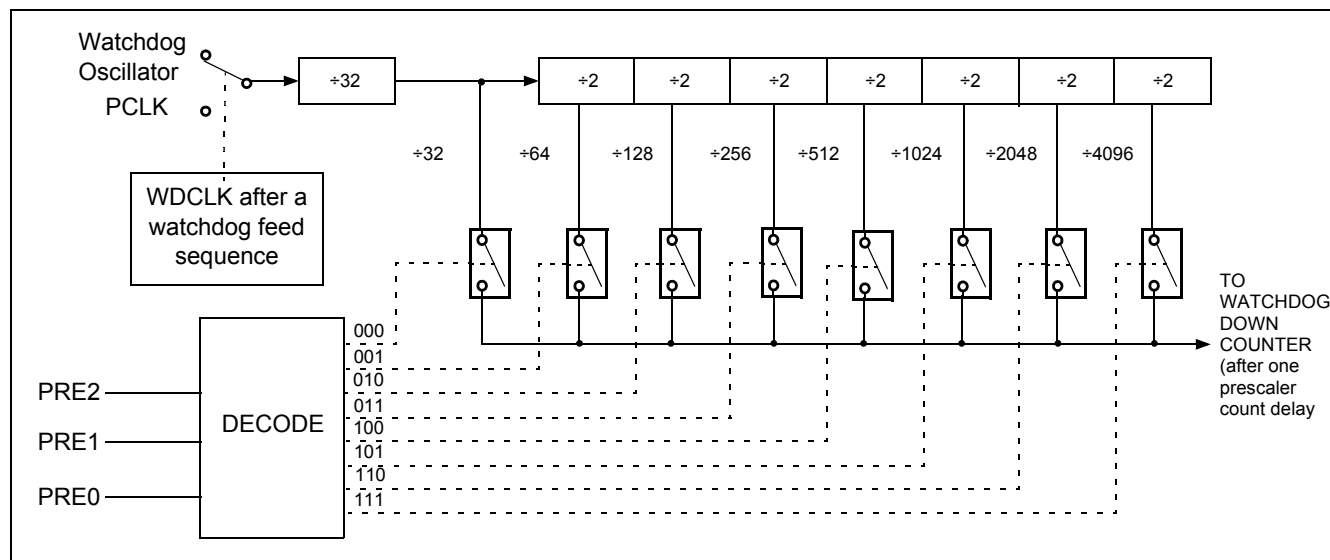


Figure 14-1: Watchdog Prescaler

Feed Sequence

The watchdog timer control register and the 8-bit down counter (Figure 14-3) are not directly loaded by the user. The user writes to the WDCON and the WDL SFRs. At the end of a feed sequence, the values in the WDCON and WDL SFRs are loaded to the control register and the 8-bit down counter. Before the feed sequence, any new values written to these two SFRs will not take effect. To avoid a watchdog reset, the watchdog timer needs to be fed (via a special sequence of software action called the feed sequence) prior to reaching an underflow.

To feed the watchdog, two write instructions must be sequentially executed successfully. Between the two write instructions, SFR reads are allowed, but writes are not allowed. The instructions should move A5H to the WFEED1 register and then 5AH to the WFEED2 register. An incorrect feed sequence will cause an immediate watchdog reset. The program sequence to feed the watchdog timer is as follows:

```

CLR    EA                ; disable interrupt
MOV    WFEED1,#0A5h     ; do watchdog feed part 1
MOV    WFEED2,#05Ah     ; do watchdog feed part 2
SETB   EA                ; enable interrupt
    
```

This sequence assumes that the P89LPC901/902/903 interrupt system is enabled and there is a possibility of an interrupt request occurring during the feed sequence. If an interrupt was allowed to be serviced and the service routine contained any SFR writes, it would trigger a watchdog reset. If it is known that no interrupt could occur during the feed sequence, the instructions to disable and re-enable interrupts may be removed.

In watchdog mode (WDTE = 1), writing the WDCON register must be IMMEDIATELY followed by a feed sequence to load the WDL to the 8-bit down counter, and the WDCON to the shadow register. If writing to the WDCON register is not immediately followed by the feed sequence, a watchdog reset will occur.

For example: setting WDRUN = 1:

```

MOV    ACC,WDCON        ; get WDCON
SETB   ACC.2            ; set WD_RUN=1
MOV    WDL,#0FFh       ; New count to be loaded to 8-bit down counter
CLR    EA                ; disable interrupt
MOV    WDCON,ACC        ; write back to WDCON (after the watchdog is enabled, a feed must occur
                        ; immediately)
    
```


WATCHDOG TIMER

P89LPC930/931

```
MOV WFEED1,#0A5h ; do watchdog feed part 1
MOV WFEED2,#05Ah ; do watchdog feed part 2
SETB EA ; enable interrupt
```

In timer mode (WDTE = 0), WDCON is loaded to the control register every CCLK cycle (no feed sequence is required to load the control register), but a feed sequence **is required** to load from the WDL SFR to the 8-bit down counter before a time-out occurs.

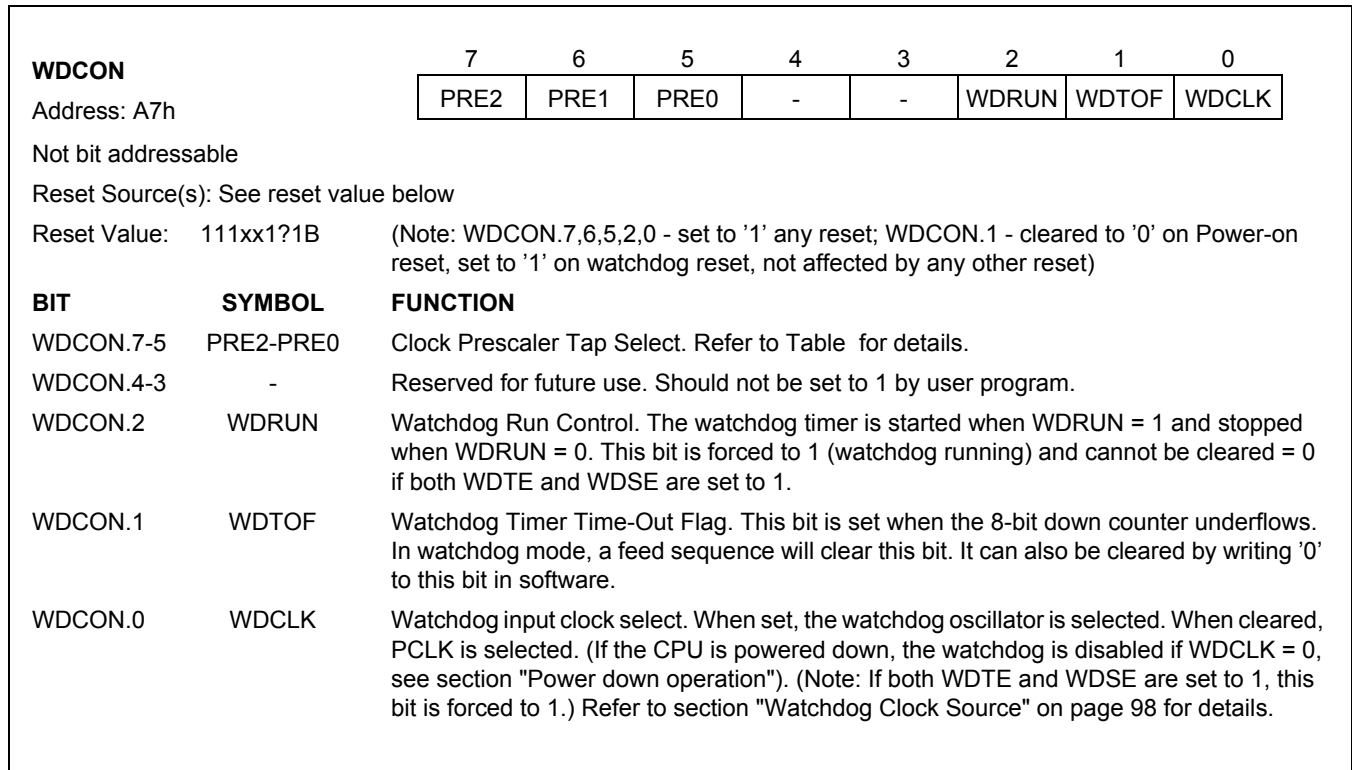


Figure 14-2: Watchdog Timer Control Register

The number of watchdog clocks before timing out is calculated by the following equations:

$$tclks = (2^{(5+PRE)})(WDL+1)+1$$

where:

- PRE is the value of prescaler (PRE2-PRE0) which can be the range 0-7, and;
- WDL is the value of watchdog load register which can be the range of 0-255.

The minimum number of tclks is:

$$tclks = (2^{(5+0)})(0+1)+1 = 33$$

The maximum number of tclks is:

$$tclks = (2^{(5+7)})(255+1)+1 = 1,048,577T$$

WATCHDOG TIMER

P89LPC930/931

The following table show sample **P89LPC930/931** timeout values.

Table 14-2: P89LPC930/931 Watchdog Timeout Values

PRE2-PRE0	WDL in decimal)	Timeout Period (in watchdog clock cycles)	Watchdog Clock Source	
			400KHz Watchdog Oscillator Clock (Nominal)	12MHz CCLK (6MHz CCLK/2 Watchdog Clock)
000	0	33	82.5µs	5.50µs
	255	8,193	20.5ms	1.37ms
001	0	65	162.5µs	10.8µs
	255	16,385	41.0ms	2.73ms
010	0	129	322.5µs	21.5µs
	255	32,769	81.9ms	5.46ms
011	0	257	642.5µs	42.8µs
	255	65,537	163.8ms	10.9ms
100	0	513	.1.28ms	85.5µs
	255	131,073	327.7ms	21.8ms
101	0	1,025	2.56ms	170.8µs
	255	262,145	655.4ms	43.7ms
110	0	2,049	5.12ms	341.5µs
	255	524,289	1.31s	87.4ms
111	0	4097	10.2ms	682.8µs
	255	1,048,577	2.62s	174.8ms

Watchdog Clock Source

The watchdog timer system has an on-chip 400KHz oscillator. The watchdog timer can be clocked from either the watchdog oscillator or from PCLK (refer to Figure 14-1) by configuring the WDCLK bit in the Watchdog Control Register WDCON. When the watchdog feature is enabled, the timer must be fed regularly by software in order to prevent it from resetting the CPU.

After changing WDCLK (WDCON.0), switching of the clock source will not immediately take effect. As shown in Figure 14-3, the selection is loaded after a watchdog feed sequence. In addition, due to clock synchronization logic, it can take two old clock cycles before the old clock source is deselected, and then an additional two new clock cycles before the new clock source is selected.

Since the prescaler starts counting immediately after a feed, switching clocks can cause some inaccuracy in the prescaler count. The inaccuracy could be as much as 2 old clock source counts plus 2 new clock cycles.

Note: When switching clocks, it is important that the old clock source is left enabled for 2 clock cycles after the feed completes. Otherwise, the watchdog may become disabled when the old clock source is disabled. For example, suppose PCLK (WCLK=0) is the current clock source. After WCLK is set to '1', the program should wait at least two PCLK cycles (4 CCLKs) after the feed completes before going into Power down mode. Otherwise, the watchdog could become disabled when CCLK turns off. The watchdog oscillator will never become selected as the clock source unless CCLK is turned on again first.

WATCHDOG TIMER

P89LPC930/931

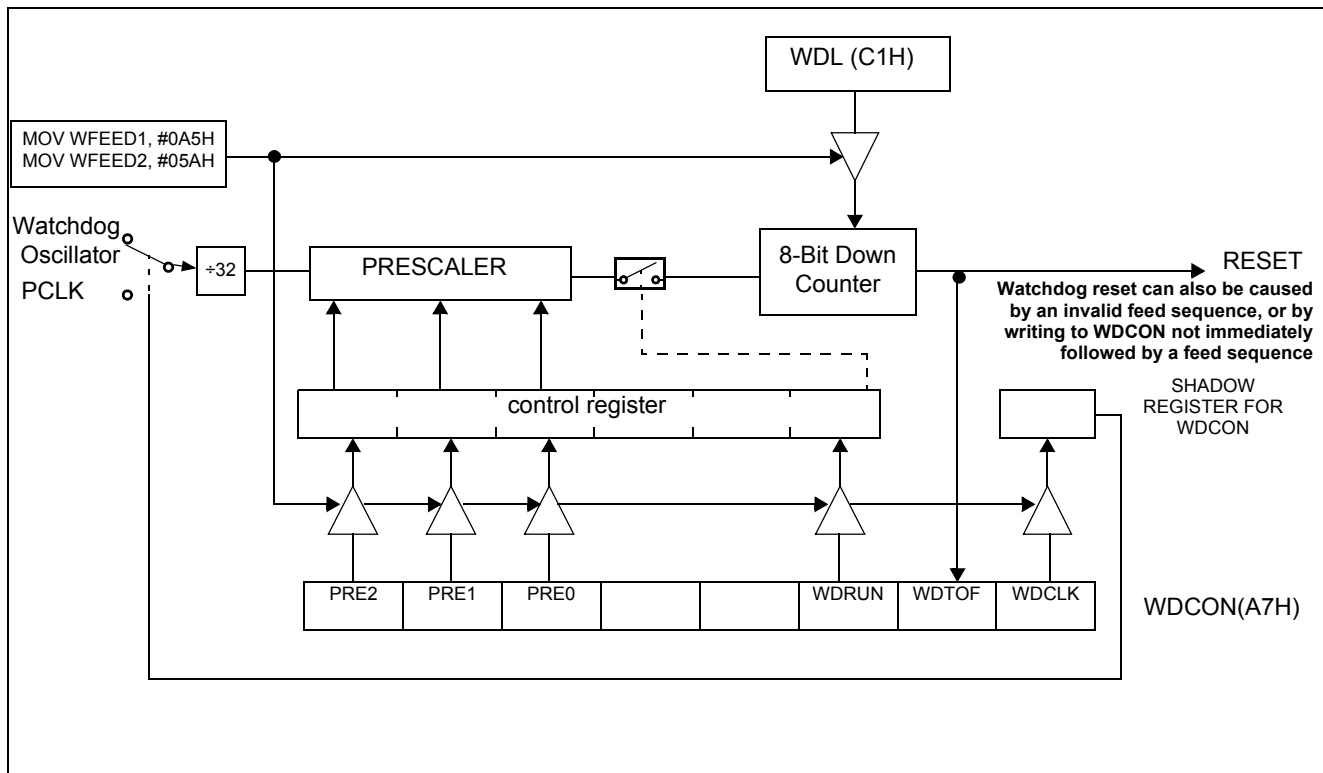


Figure 14-3: Watchdog Timer in Watchdog Mode (WDTE = 1)

Watchdog Timer in Timer Mode

Figure 14-4 shows the Watchdog Timer in Timer Mode. In this mode, any changes to WDCON are written to the shadow register after one watchdog clock cycle. A watchdog underflow will set the WDTOF bit. If IEN0.6 is set, the watchdog underflow is enabled to cause an interrupt. WDTOF is cleared by writing a '0' to this bit in software. When an underflow occurs, the contents of WDL is reloaded into the down counter and the watchdog timer immediately begins to count down again.

A feed is necessary to cause WDL to be loaded into the down counter before an underflow occurs. Incorrect feeds are ignored in this mode.

WATCHDOG TIMER

P89LPC930/931

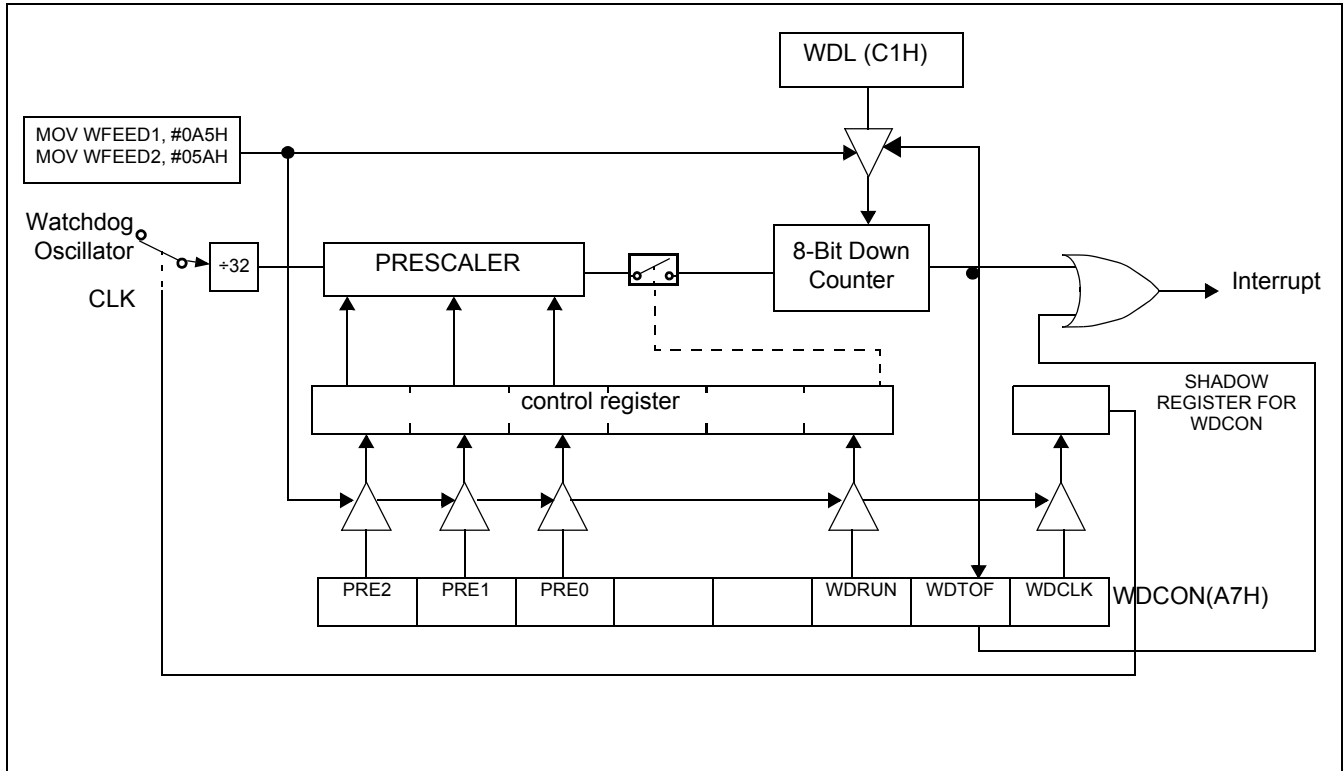


Figure 14-4: Watchdog Timer in Timer Mode (WDTE = 0)

Power down operation

The WDT oscillator will continue to run in power down, consuming approximately 50uA, as long as the WDT oscillator is selected as the clock source for the WDT. Selecting PCLK as the WDT source will result in the WDT oscillator going into power down with the rest of the device (see section "Watchdog Clock Source" on page 98). Power down mode will also prevent PCLK from running and therefore the watchdog is effectively disabled.

Periodic wakeup from Power down without an external oscillator

Without using an external oscillator source, the power consumption required in order to have a periodic wakeup is determined by the power consumption of the internal oscillator source used to produce the wakeup. The Real-time clock running from the internal RC oscillator can be used. The power consumption of this oscillator is approximately 300uA. Instead, if the WDT is used to generate interrupts the current is reduced to approximately 50uA. Whenever the WDT underflows, the device will wake up.

ADDITIONAL FEATURES

P89LPC930/931

15. ADDITIONAL FEATURES

The AUXR1 register contains several special purpose control bits that relate to several chip features. AUXR1 is described in Figure 15-1.

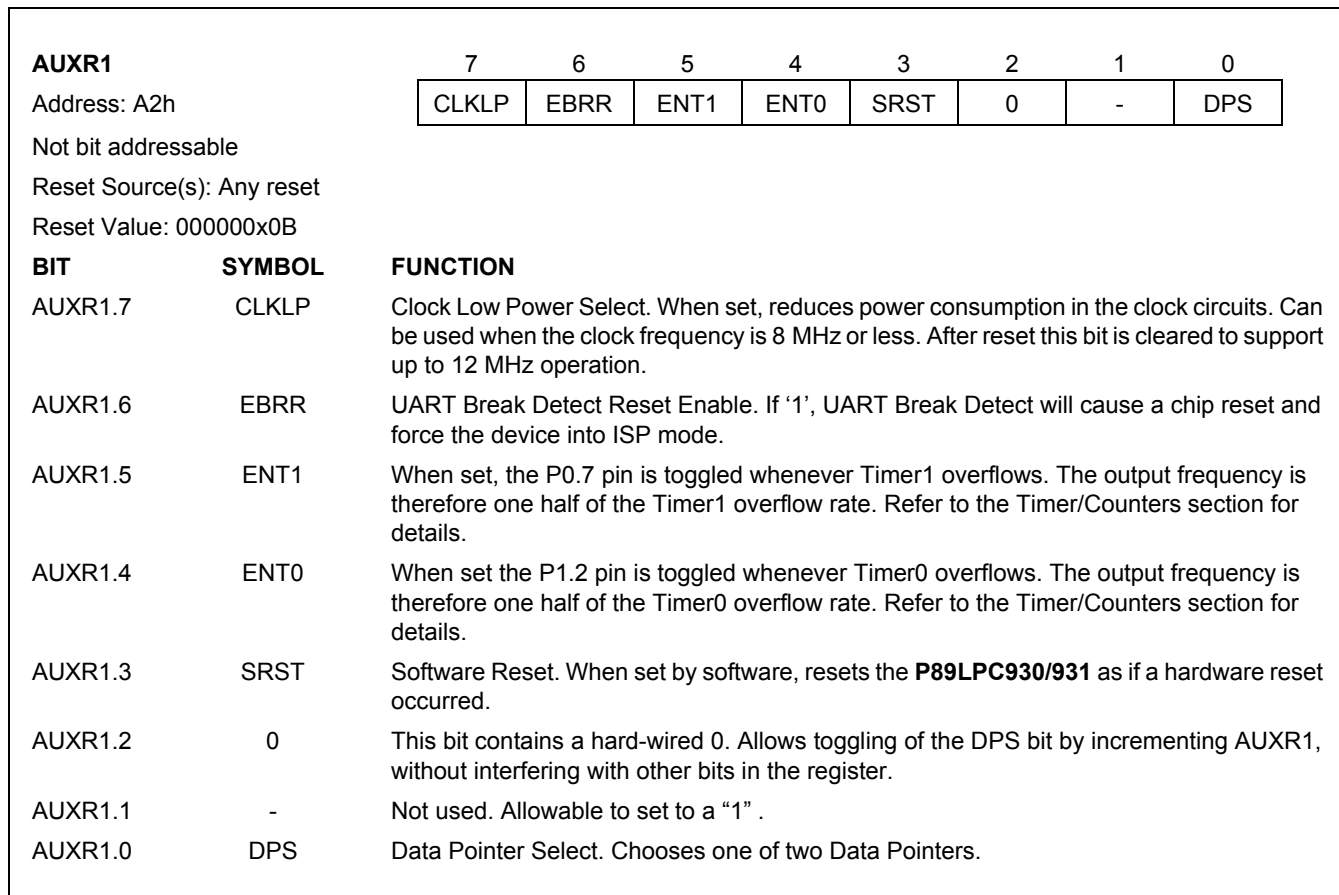


Figure 15-1: AUXR1 register

Software reset

The SRST bit in AUXR1 gives software the opportunity to reset the processor completely, as if an external reset or watchdog reset had occurred. If a value is written to AUXR1 that contains a 1 at bit position 3, all SFRs will be initialized and execution will resume at program address 0000. Care should be taken when writing to AUXR1 to avoid accidental software resets.

Dual Data Pointers

The dual Data Pointers (DPTR) adds to the ways in which the processor can specify the address used with certain instructions. The DPS bit in the AUXR1 register selects one of the two Data Pointers. The DPTR that is not currently selected is not accessible to software unless the DPS bit is toggled.

Specific instructions affected by the Data Pointer selection are:

- INC DPTR Increments the Data Pointer by 1.
- JMP @A+DPTR Jump indirect relative to DPTR value.
- MOV DPTR, #data16 Load the Data Pointer with a 16-bit constant.

ADDITIONAL FEATURES

P89LPC930/931

- MOVCA, @A+DPTR Move code byte relative to DPTR to the accumulator.
- MOVXA, @DPTR Move data byte the accumulator to data memory relative to DPTR.
- MOVX@DPTR, A Move data byte from data memory relative to DPTR to the accumulator.

Also, any instruction that reads or manipulates the DPH and DPL registers (the upper and lower bytes of the current DPTR) will be affected by the setting of DPS. The MOVX instructions have limited application for the **P89LPC930/931** since the part does not have an external data bus. However, they may be used to access Flash configuration information (see Flash Configuration section).

Bit 2 of AUXR1 is permanently wired as a logic 0. This is so that the DPS bit may be toggled (thereby switching Data Pointers) simply by incrementing the AUXR1 register, without the possibility of inadvertently altering other bits in the register.

FLASH MEMORY

P89LPC930/931

16. FLASH MEMORY

General description

The **P89LPC930/931** Flash memory provides in-circuit electrical erasure and programming. The Flash can be read and written as bytes. The Sector and Page Erase functions can erase any Flash sector (1 KB) or page (64 bytes). The Chip Erase operation will erase the entire program memory. Five Flash programming methods are available. On-chip erase and write timing generation contribute to a user-friendly programming interface. The **P89LPC930/931** Flash reliably stores memory contents even after 100,000 erase and program cycles. The cell is designed to optimize the erase and programming mechanisms. The **P89LPC930/931** uses V_{DD} as the supply voltage to perform the Program/Erase algorithms.

Features

- Parallel programming with industry-standard commercial programmers
- In-Circuit serial Programming (ICP) with industry-standard commercial programmers.
- IAP-Lite allows individual and multiple bytes of code memory to be used for data storage and programmed under control of the end application.
- Internal fixed boot ROM, containing low-level In-Application Programming (IAP) routines that can be called from the end application (in addition to IAP-Lite).
- Default serial loader providing In-System Programming (ISP) via the serial port, located in upper end of user program memory.
- Boot vector allows user provided Flash loader code to reside anywhere in the Flash memory space, providing flexibility to the user.
- Programming and erase over the full operating voltage range
- Read/Programming/Erase using ISP/IAP/IAP-Lite
- Any flash program operation in 2 ms (4ms for erase/program)
- Programmable security for the code in the Flash for each sector.
- > 100,000 typical erase/program cycles for each byte.
- 10-year minimum data retention.

Flash programming and erase

The **P89LPC930/931** program memory consists 1 KB sectors. Each sector can be further divided into 64-byte pages. In addition to sector erase and page erase, a 64-byte page register is included which allows from 1 to 64 bytes of a given page to be programmed at the same time, substantially reducing overall programming time. Five methods of programming this device are available.

- **Parallel programming** with industry-standard commercial programmers.
- **In-Circuit serial Programming (ICP)** with industry-standard commercial programmers.
- **IAP-Lite** allows individual and multiple bytes of code memory to be used for data storage and programmed under control of the end application.
- Internal fixed boot ROM, containing low-level **In-Application Programming (IAP)** routines that can be called from the end application (in addition to IAP-Lite).
- A factory-provided default serial loader, located in upper end of user program memory, providing **In-System Programming (ISP)** via the serial port.

Using Flash as data storage: IAP-Lite

The Flash code memory array of this device supports IAP-Lite in addition to standard IAP functions. Any byte in a non-secured sector of the code memory array may be read using the MOVC instruction and thus is suitable for use as non-volatile data storage. IAP-Lite provides an erase-program function that makes it easy for one or more bytes within a page to be erased and pro-

FLASH MEMORY

P89LPC930/931

grammed in a single operation without the need to erase or program any other bytes in the page. IAP-Lite is performed in the application under the control of the microcontroller's firmware using four SFRs and an internal 64-byte "page register" to facilitate erasing and programing within unsecured sectors. These SFRs are:

- FMCON (Flash Control Register). When read, this is the status register. When written, this is a command register. Note that the status bits are cleared to '0's when the command is written.
- FMDATA (Flash Data Register). Accepts data to be loaded into the page register.
- FMADRL, FMADRH (Flash memory address low, Flash memory address high). Used to specify the byte address within the page register or specify the page within user code memory.

The page register consists of 64 bytes and an update flag for each byte. When a LOAD command is issued to FMCON the page register contents and all of the update flags will be cleared. When FMDATA is written, the value written to FMDATA will be stored in the page register at the location specified by the lower 6 bits of FMADRL. In addition, the update flag for that location will be set. FMADRL will auto-increment to the next location. Auto-increment after writing to the last byte in the page register will "wrap -around" to the first byte in the page register, but will not affect FMADRL[7:6]. Bytes loaded into the page register do not have to be continuous. Any byte location can be loaded into the page register by changing the contents of FMADRL prior to writing to FMDATA. However, each location in the page register can only be written once following each LOAD command. Attempts to write to a page register location more than once should be avoided.

FMADRH and FMADRL[7:6] are used to select a page of code memory for the erase-program function. When the erase-program command is written to FMCON, the locations within the code memory page that correspond to updated locations in the page register, will have their contents erased and programmed with the contents of their corresponding locations in the page register. Only the bytes that were loaded into the page register will be erased and programmed in the user code array. Other bytes within the user code memory will not be affected.

Writing the erase-program command (68H) to FMCON will start the erase-program process and place the CPU in a program-idle state. The CPU will remain in this idle state until the erase-program cycle is either completed or terminated by an interrupt. When the program-idle state is exited FMCON will contain status information for the cycle.

If an interrupt occurs during an erase/programming cycle, the erase/programming cycle will be aborted and the OI flag (Operation Interrupted) in FMCON will be set. If the application permits interrupts during erasing-programming the user code should check the OI flag (FMCON.0) after each erase-programming operation to see if the operation was aborted. If the operation was aborted, the user's code will need to repeat the process starting with loading the page register.

The erase-program cycle takes 4ms (2ms for erase, 2ms for programming) to complete, regardless of the number of bytes that were loaded into the page register.

Erasing-programming of a single byte (or multiple bytes) in code memory is accomplished using the following steps:

- Write the LOAD command (00H) to FMCON. The LOAD command will clear all locations in the page register and their corresponding update flags.
- Write the address within the page register to FMADRL. Since the loading the page register uses FMADRL[5:0], and since the erase-program command uses FMADRH and FMADRL[7:6], the user can write the byte location within the page register (FMADRL[5:0]) and the code memory page address (FMADRH and FMADRL[7:6]) at this time.
- Write the data to be programmed to FMDATA. This will increment FMADRL pointing to the next byte in the page register.
- Write the address of the next byte to be programmed to FMADRL, if desired. (Not needed for contiguous bytes since FMADRL is auto-incremented). All bytes to be programmed must be within the same page.
- Write the data for the next byte to be programmed to FMDATA.
- Repeat writing of FMADRL and/or FMDATA until all desired bytes have been loaded into the page register.
- Write the page address in user code memory to FMADRH and FMADRL[7:6], if not previously included when writing the page register address to FMADRL[5:0].
- Write the erase-program command (68H) to FMCON, starting the erase-program cycle.

FLASH MEMORY

P89LPC930/931

- Read FMCON to check status. If aborted, repeat starting with the LOAD command.

An assembly language routine to load the page register and perform an erase/program operation is shown in Figure 16-2. A similar C-language routine is shown in Figure 16-3.

FMCON		
Address: E4h		
Not bit addressable		
Reset Source(s): Any reset		
Reset Value:		
	7	6
	5	4
	3	2
	1	0
	-	-
	-	-
	HVA	HVE
	SV	OI
BIT	SYMBOL	FUNCTION
FMCON.7-4	-	Reserved.
FMCON.3	HVA	High voltage abort. Set if either an interrupt or a brown-out is detected during a program or erase cycle. Also set if the brown-out detector is disabled at the start of a program or erase cycle.
FMCON.2	HVE	High voltage error. Set when an error occurs in the high voltage generator.
FMCON.1	SV	Security violation. Set when an attempt is made to program, erase, or CRC a secured sector or page.
FMCON.0	OI	Operation interrupted. Set when cycle aborted due to an interrupt or reset.

Figure 16-1: Flash Memory Control Register

FLASH MEMORY**P89LPC930/931**

```

;* Inputs:
;*   R3 = number of bytes to program (byte)
;*   R4 = page address MSB(byte)
;*   R5 = page address LSB(byte)
;*   R7 = pointer to data buffer in RAM(byte)
;* Outputs:
;*   R7 = status (byte)
;*   C = clear on no error, set on error

LOAD EQU 00H
EP EQU 68H

PGM_USER:
    MOV FMCON,#LOAD ;load command, clears page register
    MOV FMADRH,R4 ;get high address
    MOV FMADRL,R5 ;get low address
    MOV A,R7 ;
    MOV R0,A ;get pointer into R0
LOAD_PAGE:
    MOV FMDAT,@R0 ;write data to page register
    INC R0 ;point to next byte
    DJNZ R3,LOAD_PAGE ;do until count is zero
    MOV FMCON,#EP ;else erase & program the page

    MOV R7,FMCON ;copy status for return
    MOV A,R7 ;read status
    ANL A,#0FH ;save only four lower bits
    JNZ BAD ;
    CLR C ;clear error flag if good
    RET ;and return
BAD:
    SETB C ;set error flag
    RET ;and return

```

Figure 16-2: Assembly language routine to erase/program all or part of a page

FLASH MEMORY

P89LPC930/931

```

#include <REG931.H>

unsigned char idata dbytes[64];          // data buffer
unsigned char Fm_stat;                  // status result

bit PGM_USER (unsigned char, unsigned char);
bit prog_fail;

void main ()
{
    prog_fail=PGM_USER(0x1F,0xC0);
}

bit PGM_USER (unsigned char page_hi, unsigned char page_lo)
{
    #define LOAD      0x00 // clear page register, enable loading
    #define EP        0x68 // erase & program page
    unsigned char    i;    // loop count

    FMCON = LOAD;          //load command, clears page reg
    FMADRH = page_hi;     //
    FMADRL = page_lo;     //write my page address to addr regs

    for (i=0;i<64;i=i+1)
    {
        FMDATA = dbytes[i];
    }
    FMCON = EP;           //erase & prog page command
    Fm_stat = FMCON;     //read the result status
    if ((Fm_stat & 0x0F)!=0) prog_fail=1; else prog_fail=0;
    return(prog_fail);
}

```

Figure 16-3: C-language routine to erase/program all or part of a page

In-Circuit Programming (ICP)

In-Circuit Programming is a method intended to allow commercial programmers to program and erase these devices without removing the microcontroller from the system. The In-Circuit Programming facility consists of a series of internal hardware resources to facilitate remote programming of the **P89LPC930/931** through a two-wire serial interface. Philips has made in-circuit programming in an embedded application possible with a minimum of additional expense in components and circuit board area. The ICP function uses five pins (Vdd, Vss, P0.5, P0.4, and RST). Only a small connector needs to be available to interface your application to an external programmer in order to use this feature.

ISP and IAP capabilities of the P89LPC930/931

An In-Application Programming (IAP) interface is provided to allow the end user's application to erase and reprogram the user code memory. In addition, erasing and reprogramming of user-programmable bytes including UCFG1, the Boot Status Bit, and the Boot Vector is supported. As shipped from the factory, the upper 512 bytes of user code space contains a serial In-System

FLASH MEMORY

P89LPC930/931

Programming (ISP) loader allowing for the device to be programmed in circuit through the serial port. This ISP boot loader will, in turn, call low-level routines through the same common entry point that can be used by the end-user application.

Boot ROM

When the microcontroller contains a 256 byte Boot ROM that is separate from the user's Flash program memory. This Boot ROM contains routines which handle all of the low level details needed to erase and program the user Flash memory. A user program simply calls a common entry point in the Boot ROM with appropriate parameters to accomplish the desired operation. Boot ROM operations include operations such as erase sector, erase page, program page, CRC, program security bit, etc. The Boot ROM occupies the program memory space at the top of the address space from FF00 to FFFF hex, thereby not conflicting with the user program memory space. This function is in addition to the IAP-Lite feature.

Power-On reset code execution

The **P89LPC930/931** contains two special Flash elements: the BOOT VECTOR and the Boot Status Bit. Following reset, the **P89LPC930/931** examines the contents of the Boot Status Bit. If the Boot Status Bit is set to zero, power-up execution starts at location 0000H, which is the normal start address of the user's application code. When the Boot Status Bit is set to a va one, the contents of the Boot Vector is used as the high byte of the execution address and the low byte is set to 00H.

The factory default settings for these devcies are show in Table 16-1, below. The factory pre-programmed boot loader can be erased by the user. **Users who wish to use this loader should take cautions to avoid erasing the last 1KB sector on the device. Instead, the page erase function can be used to erase the eight 64-byte pages located in this sector.** A custom boot loader can be written with the Boot Vector set to the custom boot loader, if desired.

PRODUCT	FLASH SIZE	END ADDRESS	SIGNATURE BYTES			SECTOR SIZE	PAGE SIZE	PRE-PROGRAMMED SERIAL LOADER	DEFAULT BOOT VECTOR
			MFG	ID1	ID2				
P89LPC931	8K x 8	1FFF	15H	DDH	09H	1Kx8	64x8	1E00H-1FFFH	1FH
P89LPC930	4K x 8	0FFF	15H	DDH	19H	1Kx8	64x8	0E00H-0FFFH	0FH

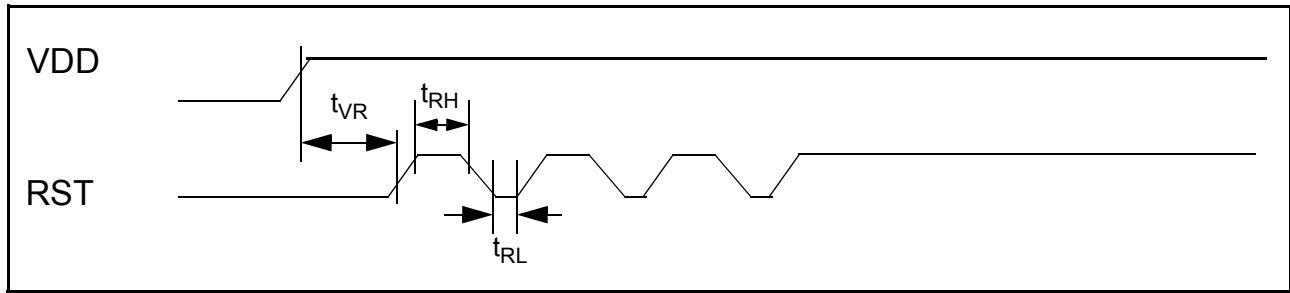
Table 16-1: Boot Loader Address and Default Boot Vector

Hardware activation of the Boot Loader

The boot loader can also be executed by forcing the device into ISP mode during a power-on sequence (see Figure 16-4). This is accomplished by powering up the device with the reset pin initially held low and holding the pin low for a fixed time after VDD rises to its normal operating value. This is followed by three, and only three, properly timed low-going pulses. Fewer or more than three pulses will result in the device not entering ISP mode. Timing specifications may be found in the datasheet for this device.

This has the same effect as having a non-zero status bit. This allows an application to be built that will normally execute the user code but can be manually forced into ISP operation. If the factory default setting for the Boot Vector is changed, it will no longer point to the factory pre-programmed ISP boot loader code. If this happens, the only way it is possible to change the contents of the Boot Vector is through the parallel or ICP programming method, provided that the end user application does not contain a customized loader that provides for erasing and reprogramming of the Boot Vector and Boot Status Bit. After programming the Flash, the status byte should be programmed to zero in order to allow execution of the user's application code beginning at address 0000H.

FLASH MEMORY

P89LPC930/931

Figure 16-4: Forcing ISP Mode

In-System Programming (ISP)

In-System Programming is performed without removing the microcontroller from the system. The In-System Programming facility consists of a series of internal hardware resources coupled with internal firmware to facilitate remote programming of the **P89LPC930/931** through the serial port. This firmware is provided by Philips and embedded within each **P89LPC930/931** device. The Philips In-System Programming facility has made in-circuit programming in an embedded application possible with a minimum of additional expense in components and circuit board area. The ISP function uses five pins (Vdd, Vss, TxD, RxD, and RST). Only a small connector needs to be available to interface your application to an external circuit in order to use this feature.

Using the In-System Programming

The ISP feature allows for a wide range of baud rates to be used in your application, independent of the oscillator frequency. It is also adaptable to a wide range of oscillator frequencies. This is accomplished by measuring the bit-time of a single bit in a received character. This information is then used to program the baud rate in terms of timer counts based on the oscillator frequency. The ISP feature requires that an initial character (an uppercase U) be sent to the **P89LPC930/931** to establish the baud rate. The ISP firmware provides auto-echo of received characters. Once baud rate initialization has been performed, the ISP firmware will only accept Intel Hex-type records. Intel Hex records consist of ASCII characters used to represent hexadecimal values and are summarized below:

```
:NNAARRDD..DDCC<crlf>
```

In the Intel Hex record, the "NN" represents the number of data bytes in the record. The P89LPC930/931 will accept up to 64 (40H) data bytes. The "AAAA" string represents the address of the first byte in the record. If there are zero bytes in the record, this field is often set to 0000. The "RR" string indicates the record type. A record type of "00" is a data record. A record type of "01" indicates the end-of-file mark. In this application, additional record types will be added to indicate either commands or data for the ISP facility. The maximum number of data bytes in a record is limited to 64 (decimal). ISP commands are summarized in Table 16-2. As a record is received by the **P89LPC930/931**, the information in the record is stored internally and a checksum calculation is performed. The operation indicated by the record type is not performed until the entire record has been received. Should an error occur in the checksum, the **P89LPC930/931** will send an "X" out the serial port indicating a checksum error. If the checksum calculation is found to match the checksum in the record, then the command will be executed. In most cases, successful reception of the record will be indicated by transmitting a "." character out the serial port

FLASH MEMORY**P89LPC930/931****Table 16-2: In-System Programming (ISP) hex record formats**

Record type	Command/data function
00	Program User Code Memory Page :nnaaaa00dd..ddcc Where: nn = number of bytes to program aaaa = page address dd..dd = data bytes cc = checksum Example: :100000000102030405006070809cc
01	Read Version Id :00xxxx01cc Where: xxxx = required field but value is a "don't care" cc = checksum Example: :00000001cc

FLASH MEMORY**P89LPC930/931****Table 16-2: In-System Programming (ISP) hex record formats**

Record type	Command/data function
02	<p>Miscellaneous Write Functions</p> <p>:02xxx02ssddcc</p> <p>Where:</p> <p>xxx = required field but value is a "don't care"</p> <p>ss = subfunction code</p> <p>dd = data</p> <p>cc = checksum</p> <p>Subfunction codes:</p> <ul style="list-style-type: none"> 00 = UCFG1 01 = reserved 02 = Boot Vector 03 = Status Byte 04 = reserved 05 = reserved 06 = reserved 07 = reserved 08 = Security Byte 0 09 = Security Byte 1 0A = Security Byte 2 0B = Security Byte 3 0C = Security Byte 4 0D = Security Byte 5 0E = Security Byte 6 0F = Security Byte 7 <p>Example:</p> <p>:020000020347cc</p>

FLASH MEMORY

P89LPC930/931

Table 16-2: In-System Programming (ISP) hex record formats

Record type	Command/data function
03	<p>Miscellaneous Read Functions</p> <p>:01xxx03sscc</p> <p>Where</p> <p>xxx = required field but value is a "don't care"</p> <p>ss = subfunction code</p> <p>cc = checksum</p> <p>Subfunction codes:</p> <ul style="list-style-type: none"> 00 = UCFG1 01 = reserved 02 = Boot Vector 03 = Status Byte 04 = reserved 05 = reserved 06 = reserved 07 = reserved 08 = Security Byte 0 09 = Security Byte 1 0A = Security Byte 2 0B = Security Byte 3 0C = Security Byte 4 0D = Security Byte 5 0E = Security Byte 6 0F = Security Byte 7 10 = Manufacturer Id 11 = Device Id 12 = Derivative Id <p>Example:</p> <p>:0100000312cc</p>

FLASH MEMORY**P89LPC930/931****Table 16-2: In-System Programming (ISP) hex record formats**

Record type	Command/data function
04	Erase Sector/Page :03xxx04ssaaaacc Where: xxxx = required field but value is a "don't care" aaaa = sector/page address ss = 01 erase sector = 00 erase page cc = checksum Example: :03000004010000F8
05	Read Sector CRC :01xxx05aacc Where: xxxx = required field but value is a "don't care" aa = sector address high byte cc = checksum Example: :0100000504F6cc
06	Read Global CRC :00xxx06cc Where: xxxx = required field but value is a "don't care" cc = checksum Example: :00000006FA
07	Direct Load of Baud Rate :02xxx07HHLLcc Where: xxxx = required field but value is a "don't care" HH = high byte of timer LL = low byte of timer cc = checksum Example: :02000007FFFFcc

FLASH MEMORY

P89LPC930/931

Table 16-2: In-System Programming (ISP) hex record formats

Record type	Command/data function
08	Reset MCU :00xxx08cc Where: xxx = required field but value is a "don't care" cc = checksum Example: :0000008F8

In-Application Programming method

Several In-Application Programming (IAP) calls are available for use by an application program to permit selective erasing and programming of Flash sectors, pages, security bits, configuration bytes, and device id. All calls are made through a common interface, PGM_MTP. The programming functions are selected by setting up the microcontroller's registers before making a call to PGM_MTP at FF00H. The IAP calls are shown in Table 16-4.

IAP Authorization Key

IAP functions which write or erase code memory require an authorization key be set by the calling routine prior to performing the IAP function call. This authorization key is set by writing 96H to RAM location FFH. For example:

```
MOV    R0,#0FFH
MOV    @R0,#96H
CALL   PGM_MTP
```

After the function call is processed by the IAP routine, the authorization key will be cleared. Thus it is necessary for the authorization key to be set prior to EACH call to PGM_MTP that requires a key. If an IAP routine that requires an authorization key is called without a valid authorization key present, the MCU will perform a reset.

It is not possible to use the Flash memory as the source of program instructions while programming or erasing this same Flash memory. During an IAP erase, program, or CRC the CPU enters a program-idle state. The CPU will remain in this program-idle state until the erase, program, or CRC cycle is completed. These cycles are self timed. When the cycle is completed, code execution resumes. If an interrupt occurs during an erase, programming or CRC cycle, the erase, programming, or CRC cycle will be aborted so that the Flash memory can be used as the source of instructions to service the interrupt. An IAP error condition will be flagged by setting the carry flag and status information returned. The status information returned is shown in Table 16.3. If the application permits interrupts during erasing, programming, or CRC cycles, the user code should check the carry flag after each erase, programming, or CRC operation to see if an error occurred. If the operation was aborted, the user's code will need to repeat the operation.

FLASH MEMORY

P89LPC930/931

Bit	Flag	Description
0	OI	Operation Interrupted. Indicates that an operation was aborted due to an interrupt occurring during a program or erase cycle.
1	SV	Security Violation. Set if program or erase operation fails due to security settings. Cycle is aborted. Memory contents are unchanged. CRC output is invalid.
2	HVE	High Voltage Error. Set if error detected in high voltage generation circuits. Cycle is aborted. Memory contents may be corrupted.
3	VE	Verify error. Set during IAP programming of user code if the contents of the programmed address does not agree with the intended programmed value. IAP uses the MOVC instruction to perform this verify. Attempts to program user code that is MOVC protected can be programmed but will generate this error after the programming cycle has been completed.
4	-	unused; reads as a '1'
5	-	unused; reads as a '1'
6	-	unused; reads as a '1'
7	-	unused; reads as a '0'

Table 16.3 IAP error status.

Table 16-4: IAP function calls

IAP function	IAP call parameters
Program User Code Page (requires "key")	<p>Input parameters:</p> <p>ACC = 00h</p> <p>R3 = number of bytes to program</p> <p>R4 = page address (MSB)</p> <p>R5 = page address (LSB)</p> <p>R7 = pointer to data buffer in RAM</p> <p>F1 = 00h</p> <p>Return parameter(s):</p> <p>R7 = status</p> <p>Carry = set on error, clear on no error</p>
Read Version Id	<p>Input parameters:</p> <p>ACC = 01h</p> <p>Return parameter(s):</p> <p>R7 = IAP code version id</p>

FLASH MEMORY

P89LPC930/931

Table 16-4: IAP function calls

IAP function	IAP call parameters
Misc. Write(requires "key")	<p>Input parameters:</p> <p>ACC = 02h</p> <p>R5 = data to write</p> <p>R7 = register address</p> <p>00 = UCFG1</p> <p>01 = reserved</p> <p>02 = Boot Vector</p> <p>03 = Status Byte</p> <p>04 = reserved</p> <p>05 = reserved</p> <p>06 = reserved</p> <p>07 = reserved</p> <p>08 = Security Byte 0</p> <p>09 = Security Byte 1</p> <p>0A = Security Byte 2</p> <p>0B = Security Byte 3</p> <p>0C = Security Byte 4</p> <p>0D = Security Byte 5</p> <p>0E = Security Byte 6</p> <p>0F = Security Byte 7</p> <p>Return parameter(s):</p> <p>R7 = status</p> <p>Carry = set on error, clear on no error</p>

FLASH MEMORY

P89LPC930/931

Table 16-4: IAP function calls

IAP function	IAP call parameters
Misc. Read	<p>Input parameters:</p> <p>ACC = 03h</p> <p>R7 = register address</p> <p>00 = UCFG1</p> <p>01 = reserved</p> <p>02 = Boot Vector</p> <p>03 = Status Byte</p> <p>04 = reserved</p> <p>05 = reserved</p> <p>06 = reserved</p> <p>07 = reserved</p> <p>08 = Security Byte 0</p> <p>09 = Security Byte 1</p> <p>0A = Security Byte 2</p> <p>0B = Security Byte 3</p> <p>0C = Security Byte 4</p> <p>0D = Security Byte 5</p> <p>0E = Security Byte 6</p> <p>0F = Security Byte 7</p> <p>Return parameter(s):</p> <p>R7 = register data if no error, else error status</p> <p>Carry = set on error, clear on no error</p>
Erase Sector/Page(requires "key")	<p>Input parameters:</p> <p>ACC = 04h</p> <p>R7 = 00H (erase page) or 01H (erase sector)</p> <p>R4 = sector/page address (MSB)</p> <p>R5 = sector/page address (LSB)</p> <p>Return parameter(s):</p> <p>R7 = status</p> <p>Carry = set on error, clear on no error</p>

FLASH MEMORY**P89LPC930/931****Table 16-4: IAP function calls**

IAP function	IAP call parameters
Read Sector CRC	Input parameters: ACC = 05h R7 = sector address Return parameter(s): R4 = CRC bits 31:24 R5 = CRC bits 23:16 R6 = CRC bits 15:8 R7 = CRC bits 7:0 (if no error) R7 = error status (if error) Carry = set on error, clear on no error
Read Global CRC	Input parameters: ACC = 06h Return parameter(s): R4 = CRC bits 31:24 R5 = CRC bits 23:16 R6 = CRC bits 15:8 R7 = CRC bits 7:0 (if no error) R7 = error status (if error) Carry = set on error, clear on no error
Read User Code	Input parameters: ACC = 07h R4 = address (MSB) R5 = address (LSB) Return parameter(s): R7 = data

FLASH MEMORY

P89LPC930/931

User configuration bytes

A number of user-configurable features of the **P89LPC930/931** must be defined at power-up and therefore cannot be set by the program after start of execution. These features are configured through the use of an Flash byte UCFG1 shown in Figure 16-5.

UCFG1		7	6	5	4	3	2	1	0
Address: xxxxh		WDTE	RPE	BOE	WDSE	-	FOSC2	FOSC1	FOSC0
Unprogrammed value: 63h									
BIT	SYMBOL	FUNCTION							
UCFG1.7	WDTE	Watchdog timer reset enable. When set =1, enables the watchdog timer reset. When cleared = 0, disables the watchdog timer reset. The timer may still be used to generate an interrupt. Refer to Table for details.							
UCFG1.6	RPE	Reset pin enable. When set =1, enables the reset function of pin P1.5. When cleared, P1.5 may be used as an input pin. NOTE: During a power-up sequence, the RPE selection is overridden and this pin will always functions as a reset input. After power-up the pin will function as defined by the RPE bit. Only a power-up reset will temporarily override the selection defined by RPE bit. Other sources of reset will not override the RPE bit.							
UCFG1.5	BOE	Brownout Detect Enable (see section "Brownout Detection" on page 35).							
UCFG1.4	WDSE	Watchdog Safety Enable bit. Refer to Table for details.							
UCFG1.3	-	Reserved (should remain unprogrammed at zero).							
UCFG1.2-0	FOSC2-FSOC0	CPU oscillator type select. See section "Clocks" on page 21 for additional information. Combinations other than those shown below should not be used. They are reserved for future use.							
	<u>FOSC2-FOSC0</u>	<u>Oscillator Configuration</u>							
		1	1	1	External clock input on XTAL1.				
		1	0	0	Watchdog Oscillator, 400 kHz (+20/ -30% tolerance).				
		0	1	1	Internal RC oscillator, 7.373 MHz ±2.5%.				
		0	1	0	Low frequency crystal, 20 kHz to 100 kHz.				
		0	0	1	Medium frequency crystal or resonator, 100 kHz to 4 MHz.				
		0	0	0	High frequency crystal or resonator, 4 MHz to 12 MHz.				
Factory default value for UCFG1 is set for watchdog reset disabled, reset pin enabled, brownout detect enabled, and using the internal RC oscillator									

Figure 16-5: Flash User Configuration Byte 1 (UCFG1)

FLASH MEMORY

P89LPC930/931

User security bytes

This device has three security bits associated with each of its eight sectors, as shown in Figure 6.

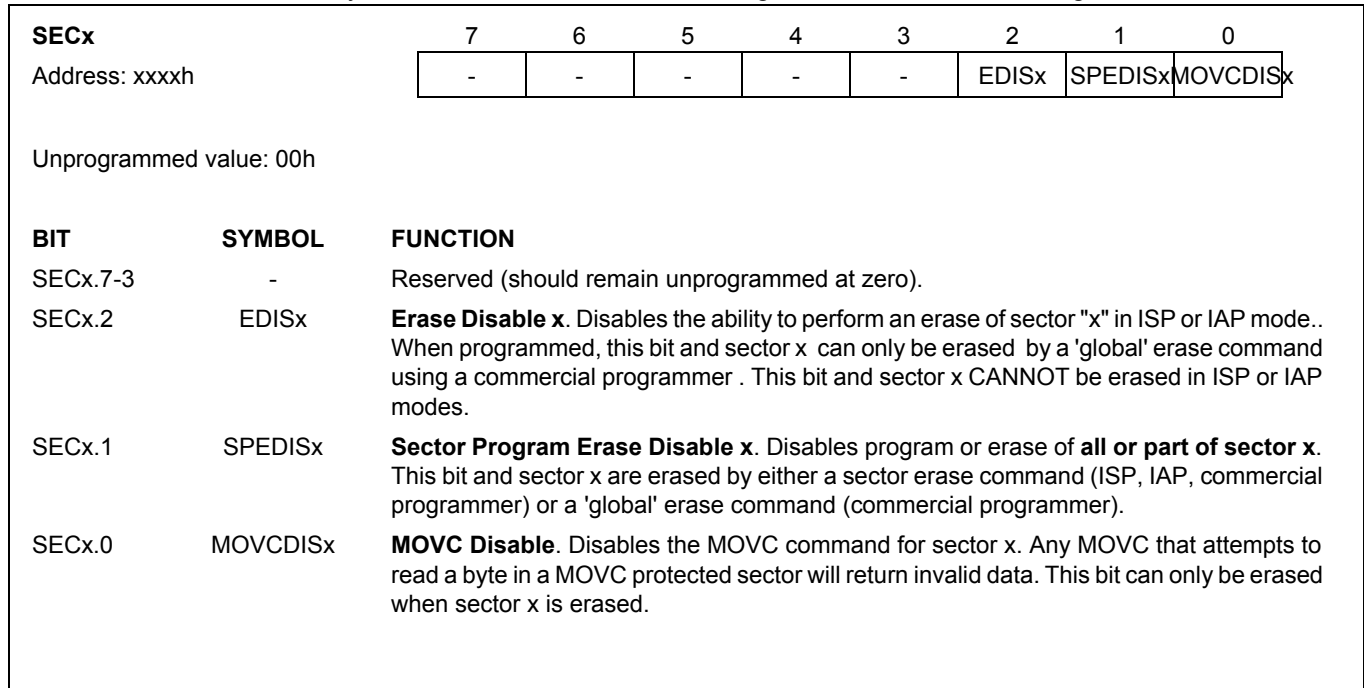


Figure 6: User sector Security Bytes (SEC0, ..., SEC7)

EDISx	SPEDISx	MOVCDISx	Effects on Programming
0	0	0	None.
0	0	1	Security violation flag set for sector CRC calculation for the specific sector. Security violation flag set for global CRC calculation if any MOVCDISx bit is set. Cycle aborted. Memory contents unchanged. CRC invalid. Program/erase commands will not result in a security violation.
0	1	x	Security violation flag set for program commands or an erase page command. Cycle aborted. Memory contents unchanged. Sector erase and global erase are allowed.
1	x	x	Security violation flag set for program or erase commands. Cycle aborted. Memory contents unchanged. Global erase is allowed.

Table 16-5: Effects of Security Bits

FLASH MEMORY

P89LPC930/931

Boot Vector

BOOTVEC	7	6	5	4	3	2	1	0
Address: xxxxh	-	-	-	BOOTV4	BOOTV3	BOOTV2	BOOTV1	BOOTV0

Factory default value: 1Fh

BIT	SYMBOL	FUNCTION
BOOTVEC.7-5	-	Reserved (should remain unprogrammed at zero).
BOOTVEC.4-0	-	Boot Vector. If the Boot Vector is selected as the reset address, the P89LPC930/931 will start execution at an address comprised of 00H in the lower eight bits and this BOOTVEC as the upper bits after a reset. (See section "Reset vector" on page 42).

Figure 16-7: Boot Vector (BOOTVEC)

Boot Status

BOOTSTAT	7	6	5	4	3	2	1	0
Address: xxxxh	-	-	-	-	-	-	-	BSB

Factory default value: 01h

BIT	SYMBOL	FUNCTION
BOOTSTAT.7-1	-	Reserved (should remain unprogrammed at zero).
BOOTSTAT.0	BSB	Boot Status Bit. If programmed to '1', the P89LPC930/931 will always start execution at an address comprised of 00H in the lower eight bits and BOOTVEC as the upper bits after a reset. (See section "Reset vector" on page 42).

Figure 16-8: Boot Status (BOOTSTAT)

FLASH MEMORY

P89LPC930/931

INSTRUCTION SET**P89LPC930/931****17. INSTRUCTION SET****Table 1: Instruction set summary**

Mnemonic	Description	Bytes	Cycles	Hex code
ARITHMETIC				
ADD A,Rn	Add register to A	1	1	28-2F
ADD A,dir	Add direct byte to A	2	1	25
ADD A,@Ri	Add indirect memory to A	1	1	26-27
ADD A,#data	Add immediate to A	2	1	24
ADDC A,Rn	Add register to A with carry	1	1	38-3F
ADDC A,dir	Add direct byte to A with carry	2	1	35
ADDC A,@Ri	Add indirect memory to A with carry	1	1	36-37
ADDC A,#data	Add immediate to A with carry	2	1	34
SUBB A,Rn	Subtract register from A with borrow	1	1	98-9F
SUBB A,dir	Subtract direct byte from A with borrow	2	1	95
SUBB A,@Ri	Subtract indirect memory from A with borrow	1	1	96-97
SUBB A,#data	Subtract immediate from A with borrow	2	1	94
INC A	Increment A	1	1	04
INC Rn	Increment register	1	1	08-0F
INC dir	Increment direct byte	2	1	05
INC @Ri	Increment indirect memory	1	1	06-07
DEC A	Decrement A	1	1	14
DEC Rn	Decrement register	1	1	18-1F
DEC dir	Decrement direct byte	2	1	15
DEC @Ri	Decrement indirect memory	1	1	16-17
INC DPTR	Increment data pointer	1	2	A3
MUL AB	Multiply A by B	1	4	A4
DIV AB	Divide A by B	1	4	84
DA A	Decimal Adjust A	1	1	D4
LOGICAL				
ANL A,Rn	AND register to A	1	1	58-5F
ANL A,dir	AND direct byte to A	2	1	55
ANL A,@Ri	AND indirect memory to A	1	1	56-57
ANL A,#data	AND immediate to A	2	1	54

INSTRUCTION SET**P89LPC930/931**

Mnemonic	Description	Bytes	Cycles	Hex code
ANL dir,A	AND A to direct byte	2	1	52
ANL dir,#data	AND immediate to direct byte	3	2	53
ORL A,Rn	OR register to A	1	1	48-4F
ORL A,dir	OR direct byte to A	2	1	45
ORL A,@Ri	OR indirect memory to A	1	1	46-47
ORL A,#data	OR immediate to A	2	1	44
ORL dir,A	OR A to direct byte	2	1	42
ORL dir,#data	OR immediate to direct byte	3	2	43
XRL A,Rn	Exclusive-OR register to A	1	1	68-6F
XRL A,dir	Exclusive-OR direct byte to A	2	1	65
XRL A, @Ri	Exclusive-OR indirect memory to A	1	1	66-67
XRL A,#data	Exclusive-OR immediate to A	2	1	64
XRL dir,A	Exclusive-OR A to direct byte	2	1	62
XRL dir,#data	Exclusive-OR immediate to direct byte	3	2	63
CLR A	Clear A	1	1	E4
CPL A	Complement A	1	1	F4
SWAP A	Swap Nibbles of A	1	1	C4
RL A	Rotate A left	1	1	23
RLC A	Rotate A left through carry	1	1	33
RR A	Rotate A right	1	1	03
RRC A	Rotate A right through carry	1	1	13
	DATA TRANSFER			
MOV A,Rn	Move register to A	1	1	E8-EF
MOV A,dir	Move direct byte to A	2	1	E5
MOV A,@Ri	Move indirect memory to A	1	1	E6-E7
MOV A,#data	Move immediate to A	2	1	74
MOV Rn,A	Move A to register	1	1	F8-FF
MOV Rn,dir	Move direct byte to register	2	2	A8-AF
MOV Rn,#data	Move immediate to register	2	1	78-7F
MOV dir,A	Move A to direct byte	2	1	F5
MOV dir,Rn	Move register to direct byte	2	2	88-8F
MOV dir,dir	Move direct byte to direct byte	3	2	85
MOV dir,@Ri	Move indirect memory to direct byte	2	2	86-87

INSTRUCTION SET**P89LPC930/931**

Mnemonic	Description	Bytes	Cycles	Hex code
MOV dir,#data	Move immediate to direct byte	3	2	75
MOV @Ri,A	Move A to indirect memory	1	1	F6-F7
MOV @Ri,dir	Move direct byte to indirect memory	2	2	A6-A7
MOV @Ri,#data	Move immediate to indirect memory	2	1	76-77
MOV DPTR,#data	Move immediate to data pointer	3	2	90
MOVC A,@A+DPTR	Move code byte relative DPTR to A	1	2	93
MOVC A,@A+PC	Move code byte relative PC to A	1	2	94
MOVX A,@Ri	Move external data(A8) to A	1	2	E2-E3
MOVX A,@DPTR	Move external data(A16) to A	1	2	E0
MOVX @Ri,A	Move A to external data(A8)	1	2	F2-F3
MOVX @DPTR,A	Move A to external data(A16)	1	2	F0
PUSH dir	Push direct byte onto stack	2	2	C0
POP dir	Pop direct byte from stack	2	2	D0
XCH A,Rn	Exchange A and register	1	1	C8-CF
XCH A,dir	Exchange A and direct byte	2	1	C5
XCH A,@Ri	Exchange A and indirect memory	1	1	C6-C7
XCHD A,@Ri	Exchange A and indirect memory nibble	1	1	D6-D7
	BOOLEAN			
Mnemonic	Description	Bytes	Cycles	Hex code
CLR C	Clear carry	1	1	C3
CLR bit	Clear direct bit	2	1	C2
SETB C	Set carry	1	1	D3
SETB bit	Set direct bit	2	1	D2
CPL C	Complement carry	1	1	B3
CPL bit	Complement direct bit	2	1	B2
ANL C,bit	AND direct bit to carry	2	2	82
ANL C,/bit	AND direct bit inverse to carry	2	2	B0
ORL C,bit	OR direct bit to carry	2	2	72
ORL C,/bit	OR direct bit inverse to carry	2	2	A0
MOV C,bit	Move direct bit to carry	2	1	A2
MOV bit,C	Move carry to direct bit	2	2	92
	BRANCHING			

INSTRUCTION SET**P89LPC930/931**

Mnemonic	Description	Bytes	Cycles	Hex code
ACALL addr 11	Absolute jump to subroutine	2	2	116F1
LCALL addr 16	Long jump to subroutine	3	2	12
RET	Return from subroutine	1	2	22
RETI	Return from interrupt	1	2	32
AJMP addr 11	Absolute jump unconditional	2	2	016E1
LJMP addr 16	Long jump unconditional	3	2	02
SJMP rel	Short jump (relative address)	2	2	80
JC rel	Jump on carry = 1	2	2	40
JNC rel	Jump on carry = 0	2	2	50
JB bit,rel	Jump on direct bit = 1	3	2	20
JNB bit,rel	Jump on direct bit = 0	3	2	30
JBC bit,rel	Jump on direct bit = 1 and clear	3	2	10
JMP @A+DPTR	Jump indirect relative DPTR	1	2	73
JZ rel	Jump on accumulator = 0	2	2	60
JNZ rel	Jump on accumulator \neq 0	2	2	70
CJNE A,dir,rel	Compare A,direct jne relative	3	2	B5
CJNE A,#d,rel	Compare A,immediate jne relative	3	2	B4
CJNE Rn,#d,rel	Compare register, immediate jne relative	3	2	B8-BF
CJNE @Ri,#d,rel	Compare indirect, immediate jne relative	3	2	B6-B7
DJNZ Rn,rel	Decrement register, jnz relative	2	2	D8-DF
DJNZ dir,rel	Decrement direct byte, jnz relative	3	2	D5
	MISCELLANEOUS			
NOP	No operation	1	1	00

REVISION HISTORY

P89LPC930/931

18. REVISION HISTORY

2003 Dec 8

Initial release.

REVISION HISTORY

P89LPC930/931

INDEX

P89LPC930/931

19. INDEX**A**

- Analog comparators 31
 - configuration 89
 - configuration example 91
 - enabling 89
 - internal reference voltage 90
 - interrupt 90
 - power reduction modes 90, 91
- Analog comparators and power reduction 31

B

- Block diagram 11
- BRGCON
 - writing to 18
- Brownout detection 35
 - enabling and disabling 35
 - operating range 35
 - options 36
 - rise and fall times of Vdd 35

C

- Capture Compare Unit 53
- CLKLP 24
- Clock
 - CPU clock 21
 - CPU divider (DIVM) 24
 - definitions 21
 - external input option 22
 - output 21
 - PCLK 21
 - RCCLK 21
 - wakeup delay 23

INDEX

P89LPC930/931**D**

Data EEPROM

block fill 9, 21, 25, 29, 35, 41, 43, 49, 53, 65, 89, 93, 95, 101, 103, 123, 127

hardware reset 9, 21, 25, 29, 35, 41, 43, 49, 53, 65, 89, 93, 95, 101, 103, 123, 127

Dual Data Pointers 101

F

FLASH 9, 21, 25, 29, 35, 41, 43, 49, 53, 65, 89, 93, 95, 101, 103, 123, 127

Boot Status 121

Boot Vector 121

Bootrom 108

features 103

hardware activation of the boot loader 108

in-application programming (IAP) 114

ISP 107, 109

ISP, IAP capabilities 107

power-on reset code execution 108

programming and erasure 103

sector size 107

I

I2C serial interface

clock rate selection for common frequencies 68

master receiver mode 70

master receiver states 75

master transmitter mode 69

master transmitter states 74

slave receiver mode 71

slave receiver states 76

IAP programming 103

Interrupts 29

arbitration ranking 25

edge-triggered 26

external input pin glitch suppression 27

external inputs 26

keypad 26

priority structure 25

ISP programming 103

INDEX

P89LPC930/931

L

Low power (CLKP) 24

M

Memory

Code 19

Data 19

FLASH code 103

IDATA 19

organization 19

O

Oscillator

high speed option 21

low speed option 21

medium speed option 21

RC option 22

watchdog (WDT) option 22

P

Pin

configuration

28-pin TSSOP package 9

Pin configuration 10

28 pin PLCC 10

Port 0 12

Port 1 13

Port 2 14

Port 3 14

Ports

additional features 32

input only configuration 30

open drain output configuration 30

Port 0 analog functions 31

push-pull output configuration 31

quasi-bidirectional output configuration 29

Power reduction modes 36

normal mode 37

INDEX

P89LPC930/931

power down mode (partial) 37
Power-down mode (total) 37
Power-on detection 36

R

Real time clock
 clock sources 49
 interrupt/wake up 50
Reset
 enabling the external reset input pin 41, 119
 software reset 101
 sources 41
 UART break-detect, ISP entry 42

S

Serial Peripheral Interface (SPI) 81

SFR

AUXR1 101
BRGCON 55
CMPn 89
I2ADR 66
I2CON 67
I2DAT 66
I2SCLH 68
I2SCLL 68
I2STAT 68
KBCON 93
KBMASK 94
KBPATN 93
PCON 38
PCONA 39
PT0AD 31
RSTSRC 42
RTCCON 51
SCON 56
SPCTL 82
SPDAT 83
SPSTAT 83
SSTAT 57
TAMOD 44
TCON 46

INDEX

P89LPC930/931

TMOD 43
TRIM 21, 22, 105
UCFG1 119
WDCON 97

SFRs

undefined locations, use of 15

Special Function Registers (SFR) table 15

SPI

additional considerations for the master 85
additional considerations for the slave 85
clock prescaler select 88
configurations 83
configuring 85
data mode 86
mode change on SS 86
write collision 86

T

Timer/counters

mode 0 44
mode 1 44
mode 2 (8-bit auto reload) 45
mode 3 (seperates TL0 & TH0) 45
mode 6 (8-bit PWM) 45
toggle output 48

TRIM (SFR)

power-on reset value 18

U

UART 53

automatic address recognition 62
baud rate generator 54
BRGR1 and BRGR0, updating 54
double buffering in 9-bit mode 61
double buffering in different modes 60
framing error 55, 59
mode 0 57
mode 0 (shift register) 53
mode 1 58
mode 1 (8-bit variable baud rate) 53
mode 2 59

INDEX

P89LPC930/931

mode 2 (9-bit fixed baud rate) 53
mode 3 59
mode 3 (9-bit variable baud rate) 53
multiprocessor communications 62
SFR locations. 54
status register 57
transmit interrupts with double buffering enabled (modes 1, 2 and 3) 60
User Configuration Byte (UCFG1) 119, 120

W

Watchdog timer 95
 feed sequence 96
 timer mode 99
 watchdog function 95
 WDCLK = 0 and CPU power down 100



Purchase of Philips I²C components conveys a license under the Philips' I²C patent to use the components in the I²C system provided the system conforms to the I²C specifications defined by Philips. This specification can be ordered using the code 9398 393 40011.

Definitions

Short-form specification — The data in a short-form specification is extracted from a full data sheet with the same type number and title. For detailed information see the relevant data sheet or data handbook.

Limiting values definition — Limiting values given are in accordance with the Absolute Maximum Rating System (IEC 60134). Stress above one or more of the limiting values may cause permanent damage to the device. These are stress ratings only and operation of the device at these or at any other conditions above those given in the Characteristics sections of the specification is not implied. Exposure to limiting values for extended periods may affect device reliability.

Application information — Applications that are described herein for any of these products are for illustrative purposes only. Philips Semiconductors make no representation or warranty that such applications will be suitable for the specified use without further testing or modification.

Disclaimers

Life support — These products are not designed for use in life support appliances, devices, or systems where malfunction of these products can reasonably be expected to result in personal injury. Philips Semiconductors customers using or selling these products for use in such applications do so at their own risk and agree to fully indemnify Philips Semiconductors for any damages resulting from such application.

Right to make changes — Philips Semiconductors reserves the right to make changes in the products—including circuits, standard cells, and/or software—described or contained herein in order to improve design and/or performance. When the product is in full production (status 'Production'), relevant changes will be communicated via a Customer Product/Process Change Notification (CPCN). Philips Semiconductors assumes no responsibility or liability for the use of any of these products, conveys no license or title under any patent, copyright, or mask work right to these products, and makes no representations or warranties that these products are free from patent, copyright, or mask work right infringement, unless otherwise specified.

Contact information

For additional information please visit
<http://www.semiconductors.philips.com>. Fax: +31 40 27 24825

© Koninklijke Philips Electronics N.V. 2003
 All rights reserved. Printed in U.S.A.

For sales offices addresses send e-mail to:
sales.addresses@www.semiconductors.philips.com

Date of release: 12-03
 Document order number: 9397 750 12493

Let's make things better.