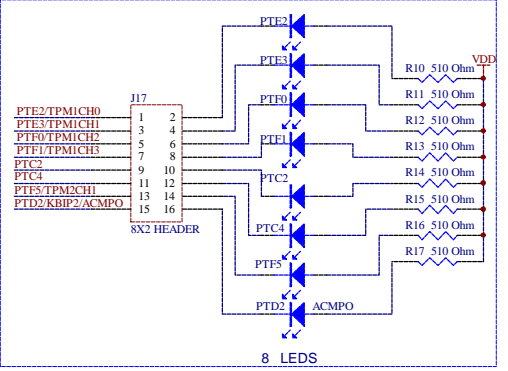
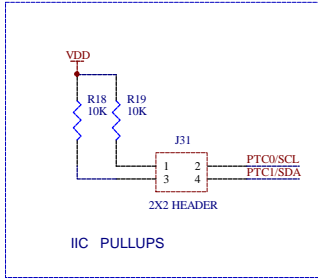
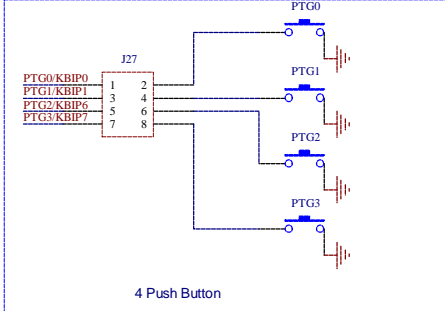
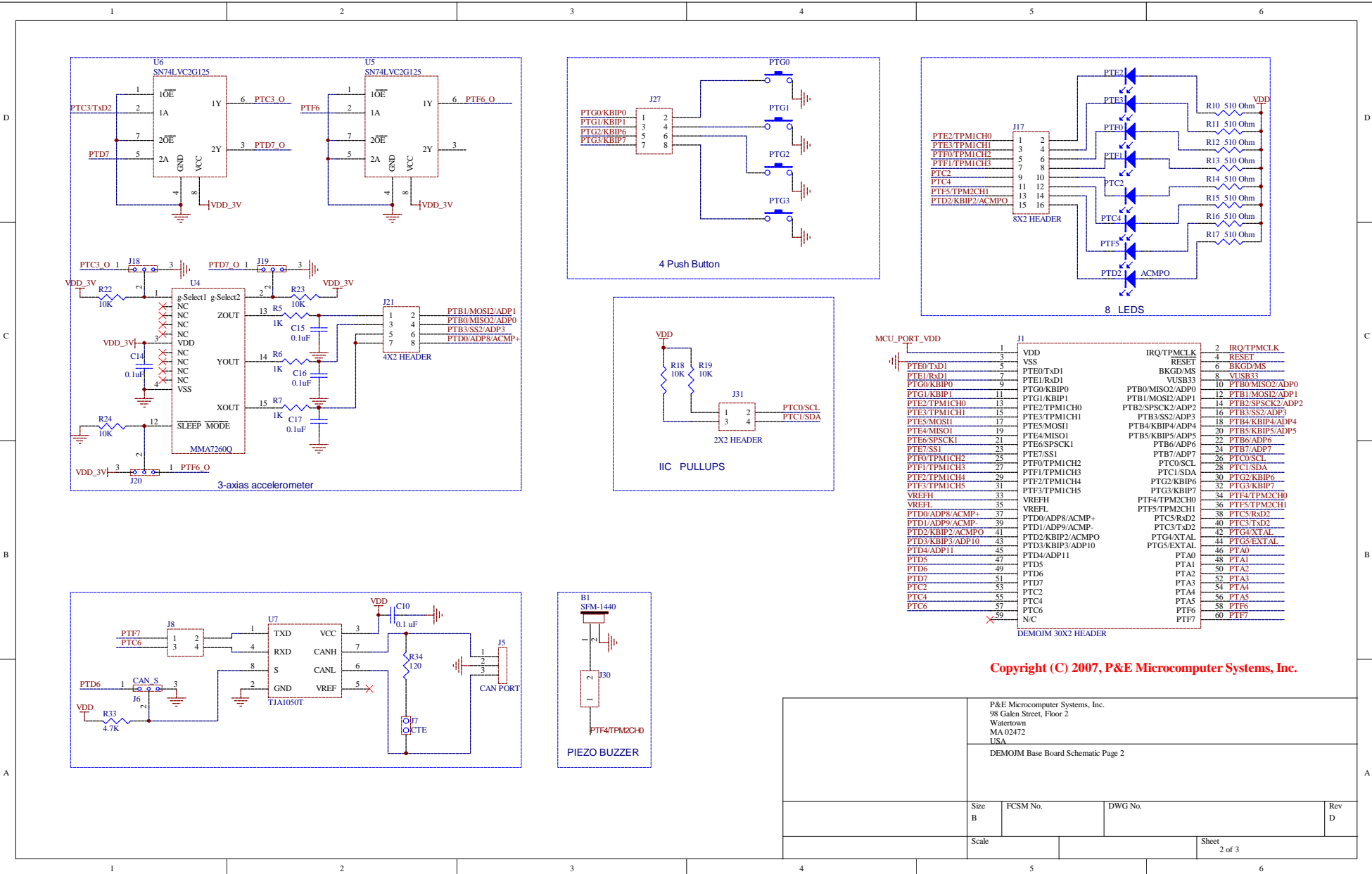


Copyright (C) 2007, P&E Microcomputer Systems, Inc.

P&E Microcomputer Systems, Inc. 98 Galen Street, Floor 2 Watertown MA 02472 USA			
DEMOJM Base Board Schematic Page 1			
Size	FCSM No.	DWG No.	Rev
B			D
Scale	Sheet		1 of 3



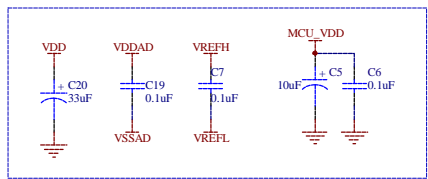
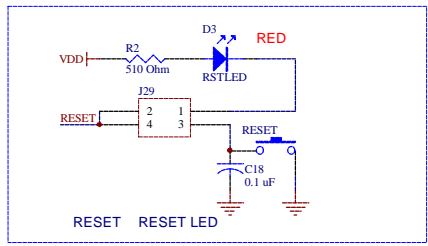
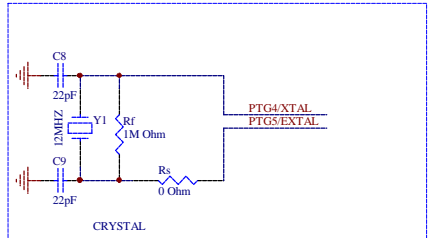
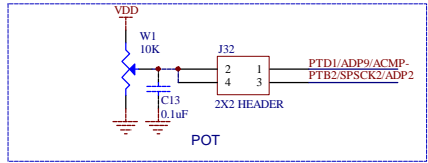
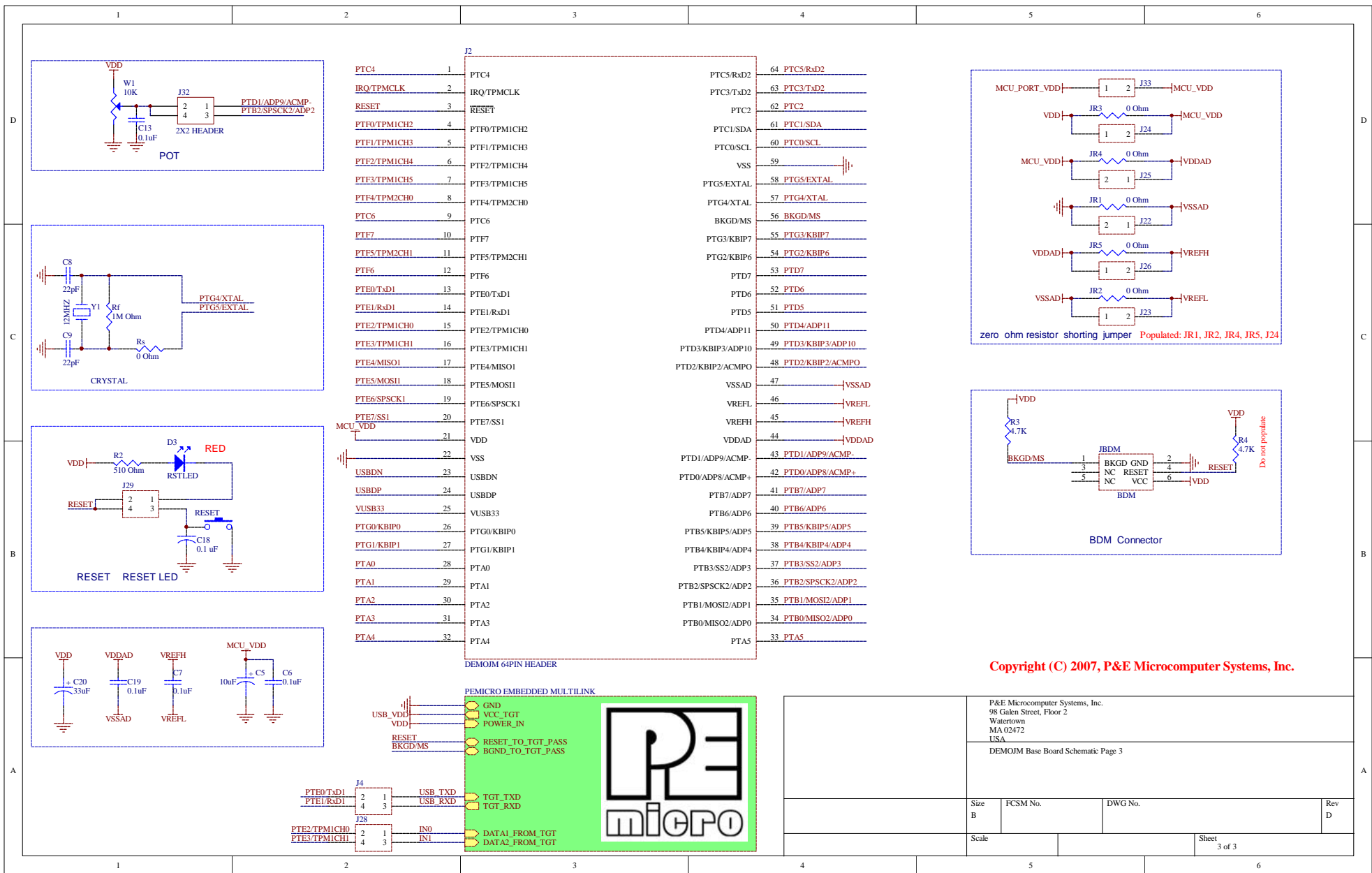
MCU_PORT_VDD	1	VDD	2	IRQ/TPMCLK
	3	VSS	4	RESET
PTE0/TxD1	5	PTB0/MIS2/ADP0	6	BKGD/MS
PTE1/RxD1	7	PTB1/MOSI2/ADP1	8	VUSB33
PTG0/KBIP0	9	PTB2/SPSK2/ADP2	10	PTB0/MISO2/ADP0
PTG1/KBIP1	11	PTB3/SS2/ADP3	12	PTB1/MOSI2/ADP1
PTE2/TPM1CH0	13	PTB4/KBIP4/ADP4	14	PTB2/SPSK2/ADP2
PTE3/TPM1CH1	15	PTB5/KBIP5/ADP5	16	PTB3/SS2/ADP3
PTE5/MOSI1	17	PTB6/ADP6	18	PTB4/KBIP4/ADP4
PTE4/MISO1	19	PTB7/ADP7	20	PTB5/KBIP5/ADP5
PTE6/SPSK1	21	PTC0/SCL	22	PTB6/ADP6
PTE7/SS1	23	PTC1/SDA	24	PTB7/ADP7
PTF0/TPM1CH2	25	PTG0/KBIP0	26	PTC0/SCL
PTF1/TPM1CH3	27	PTG1/KBIP1	28	PTC1/SDA
PTF2/TPM1CH4	29	PTE2/TPM1CH0	30	PTG2/KBIP6
PTF3/TPM1CH5	31	PTE3/TPM1CH1	32	PTG3/KBIP7
VREFH	33	PTE5/MOSI1	34	PTG4/TPM2CH0
VREFL	35	PTE4/MISO1	36	PTF5/TPM2CH1
PTD0/ADP8/ACMP+	37	PTE6/SPSK1	38	PTC3/RxD2
PTD1/ADP9/ACMP-	39	PTE7/SS1	40	PTC3/TxD2
PTD2/KBIP2/ACMPO	41	PTF0/TPM1CH2	42	PTG4/XTAL
PTD3/KBIP3/ADP10	43	PTF1/TPM1CH3	44	PTG5/EXTAL
PTD4/ADP11	45	PTF2/TPM1CH4	46	PTA0
PTD5	47	PTF3/TPM1CH5	48	PTA1
PTD6	49	VREFH	50	PTA2
PTD7	51	VREFL	52	PTA3
PTC2	53	PTD0/ADP8/ACMP+	54	PTA4
PTC4	55	PTD1/ADP9/ACMP-	56	PTA5
PTC6	57	PTD2/KBIP2/ACMPO	58	PTF6
	59	PTD3/KBIP3/ADP10	60	PTF7
		PTD4/ADP11		

Copyright (C) 2007, P&E Microcomputer Systems, Inc.

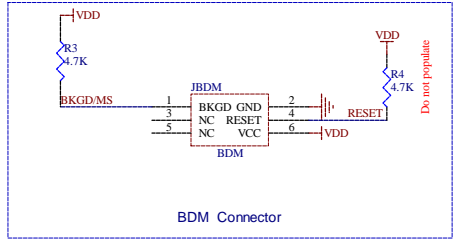
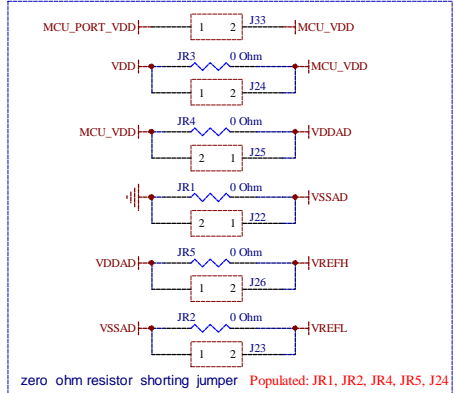
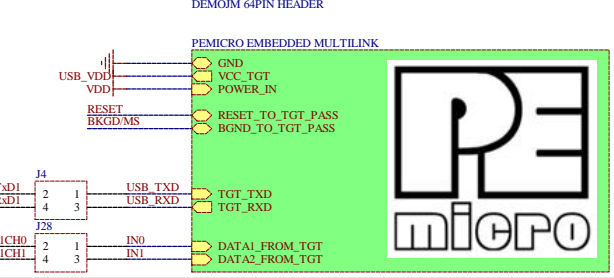
P&E Microcomputer Systems, Inc.  
 98 Galen Street, Floor 2  
 Watertown  
 MA 02472  
 USA

DEMOIM Base Board Schematic Page 2

Size	B	FCSM No.		DWG No.		Rev	D
Scale						Sheet	2 of 3



PTC4	1	PTC4	64	PTC5/RxD2
IRQ/TPMCLK	2	IRQ/TPMCLK	63	PTC3/TxD2
RESET	3	RESET	62	PTC2
PTF0/TPMICH2	4	PTF0/TPMICH2	61	PTC1/SDA
PTF1/TPMICH3	5	PTF1/TPMICH3	60	PTC0/SCL
PTF2/TPMICH4	6	PTF2/TPMICH4	59	VSS
PTF3/TPMICH5	7	PTF3/TPMICH5	58	PTG5/EXTAL
PTF4/TPM2CH0	8	PTF4/TPM2CH0	57	PTG4/XTAL
PTC6	9	PTC6	56	BKGD/MS
PTF7	10	PTF7	55	PTG3/KBIP7
PTF5/TPM2CH1	11	PTF5/TPM2CH1	54	PTG2/KBIP6
PTF6	12	PTF6	53	PTD7
PTF0/TxD1	13	PTF0/TxD1	52	PTD6
PTF1/RxD1	14	PTF1/RxD1	51	PTD5
PTF2/TPMICH0	15	PTF2/TPMICH0	50	PTD4/ADP11
PTF3/TPMICH1	16	PTF3/TPMICH1	49	PTD3/KBIP3/ADP10
PTF4/MISO1	17	PTF4/MISO1	48	PTD2/KBIP2/ACMPO
PTF5/MOSI1	18	PTF5/MOSI1	47	VSSAD
PTF6/SPSCK1	19	PTF6/SPSCK1	46	VREFL
PTF7/SS1	20	PTF7/SS1	45	VREFH
MCU_VDD	21	VDD	44	VDDAD
VSS	22	VSS	43	PTD1/ADP9/ACMP-
USBDN	23	USBDN	42	PTD0/ADP8/ACMP+
USBDP	24	USBDP	41	PTB7/ADP7
VUSB33	25	VUSB33	40	PTB6/ADP6
PTG0/KBIP0	26	PTG0/KBIP0	39	PTB5/KBIP5/ADP5
PTG1/KBIP1	27	PTG1/KBIP1	38	PTB4/KBIP4/ADP4
PTA0	28	PTA0	37	PTB3/SS2/ADP3
PTA1	29	PTA1	36	PTB2/SPSCK2/ADP2
PTA2	30	PTA2	35	PTB1/MOSI2/ADP1
PTA3	31	PTA3	34	PTB0/MISO2/ADP0
PTA4	32	PTA4	33	PTA5



Copyright (C) 2007, P&E Microcomputer Systems, Inc.

P&E Microcomputer Systems, Inc. 98 Galen Street, Floor 2 Watertown MA 02472 USA		DEMOIM Base Board Schematic Page 3	
Size B	FCSM No.	DWG No.	Rev D
Scale	Sheet 3 of 3		

