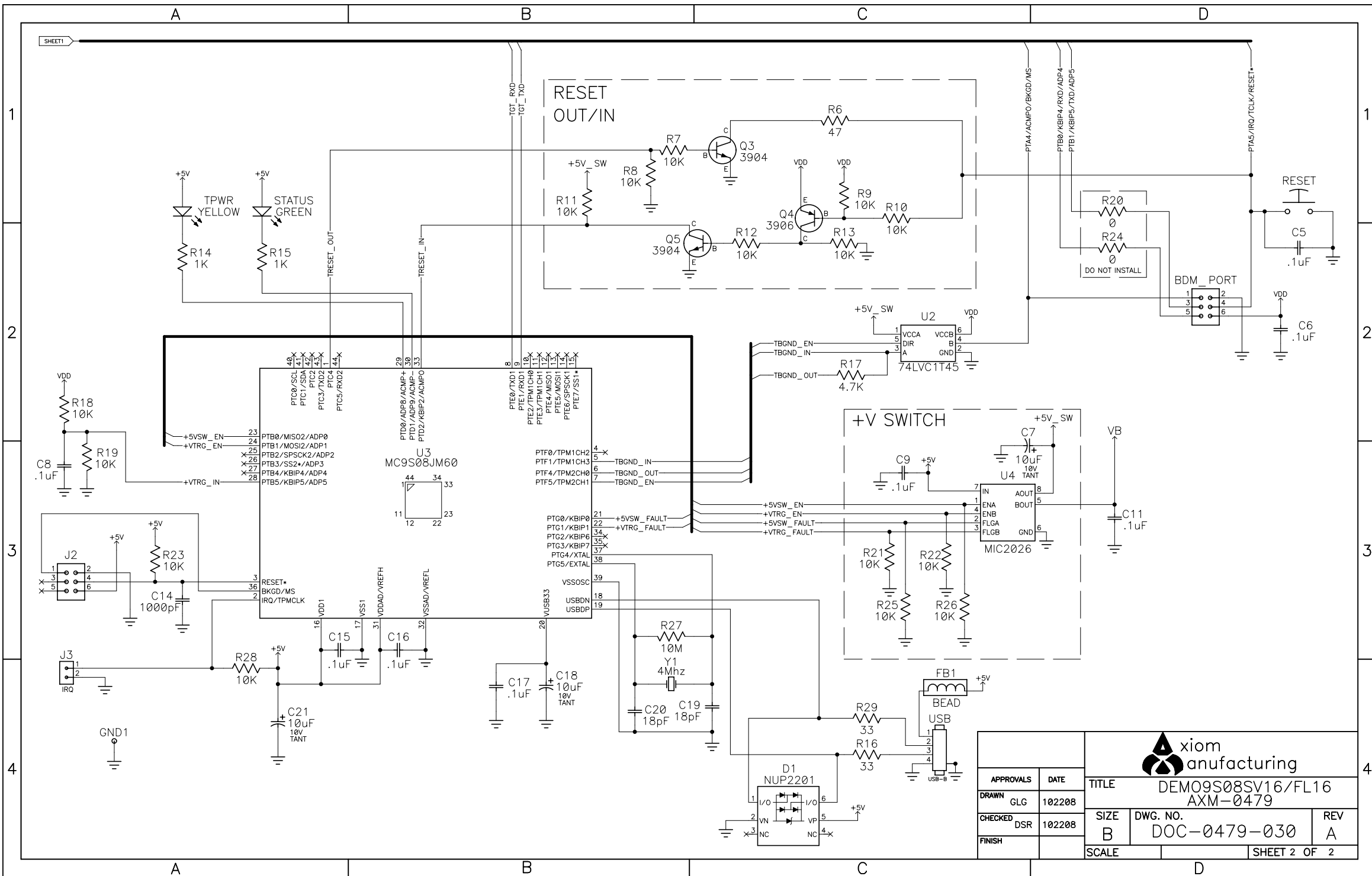


APPROVALS		DATE	TITLE	
DRAWN	GLG	102208	DEMO9S08SV16/FL16 AXM-0479	
CHECKED	DSR	102208	SIZE	DWG. NO.
FINISH			B	DOC-0479-030
			SCALE	REV
				A
			SHEET 1 OF 2	





APPROVALS		DATE			TITLE DEMO9S08SV16/FL16 AXM-0479	
DRAWN		102208				
CHECKED		DSR	102208	SIZE	DWG. NO.	REV
FINISH				B	DOC-0479-030	A
SCALE					SHEET 2 OF 2	