


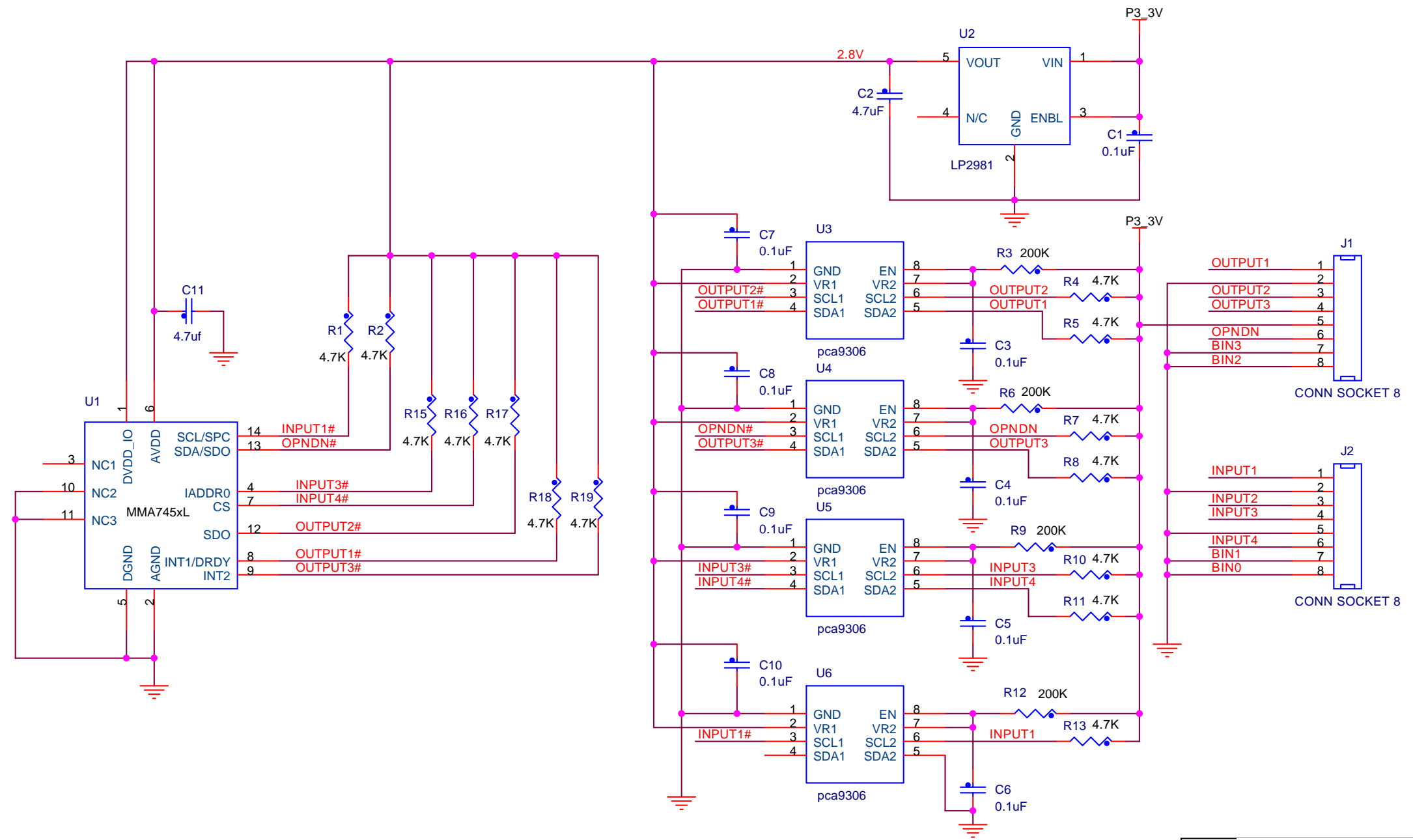
Rev	Description	Date
0	Original Release	xxxxxxx

2 CIRCUITRY

NOTES:

- UNLESS OTHERWISE SPECIFIED:
RESISTANCE VALUES ARE IN OHMS.
RESISTORS ARE 1/0 W, ±1% or 1/8W, ±5%.
CAPACITANCE VALUES ARE IN MICROFARADS, ±10% or ±20%.
POLARIZED CAPACITORS ARE TANTALUM.
- INTERRUPTED LINES CODED WITH THE SAME LETTER OR LETTER COMBINATIONS ARE ELECTRICALLY CONNECTED.
- DEVICE TYPE NUMBER IS FOR REFERENCE ONLY. THE NUMBER VARIES PER MANUFACTURER.
- SPECIAL SIGNAL USAGE:
_B DENOTES - ACTIVE-LOW SIGNAL
<> OR [] DENOTES - VECTORED SIGNALS
- INTERPRET DRAWING IAW ANSI SPECIFICATIONS, CURRENT REVISION, WITH THE EXCEPTION OF LOGIC BLOCK SYMBOLOGY.

		<p align="center">Detroit Automotive Technology Center 28125 Cabot Drive, Suite 100 Novi, MI 48377</p>			
					<p>TITLE: LFDA7455</p>
Drawn by: CDC Technologies, Inc.	Date: 12/22/2009	SIZE B	GEDTTL: GEDABV:	DWG. NO. LFDA7455	REV: 0
Designer: CDC Technologies, Inc.	Ref: CDC1958	LAST MODIFIED= Tuesday, December 22, 2009		SHEET 1 of 2	
Approved: Daniel Beeker	Date: 12/22/2009	(Empty space for additional drawing information)			
Quality: Daniel Beeker	Date: 12/22/2009	(Empty space for additional drawing information)			



		Detroit Automotive Technology Center 28125 Cabot Drive, Suite 100 Novi, MI 48377	
		Drawing Title: LFDA7455	
Drawn by: CDC Tech, Inc.	Date: 12/22/2009	Page Title: CIRCUITRY	
Designer: CDC Tech, Inc.	Ref: CDC1958	Document Number: LFDA7455	
Approved: Daniel Beeker	Date: 12/22/2009	Rev O	
Quality: Daniel Beeker	Date: 12/22/2009	Date: Tuesday, December 22, 2009 Sheet 2 of 2 Size B	