

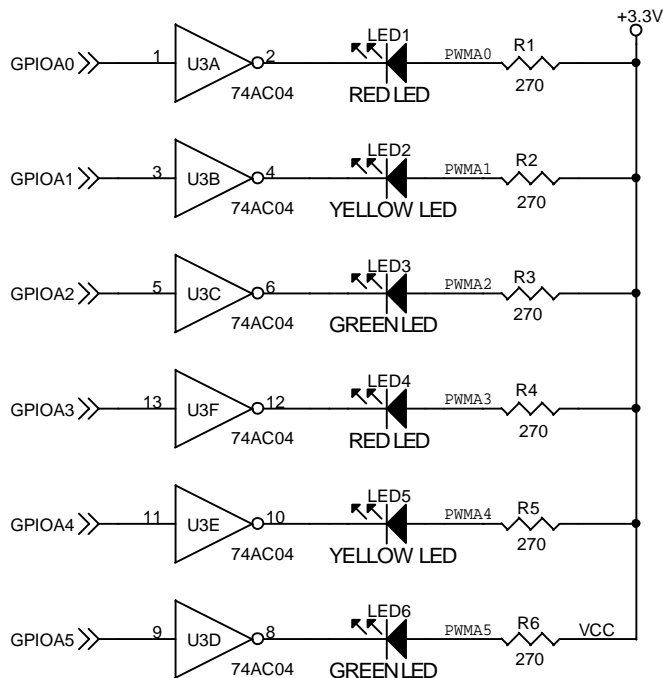
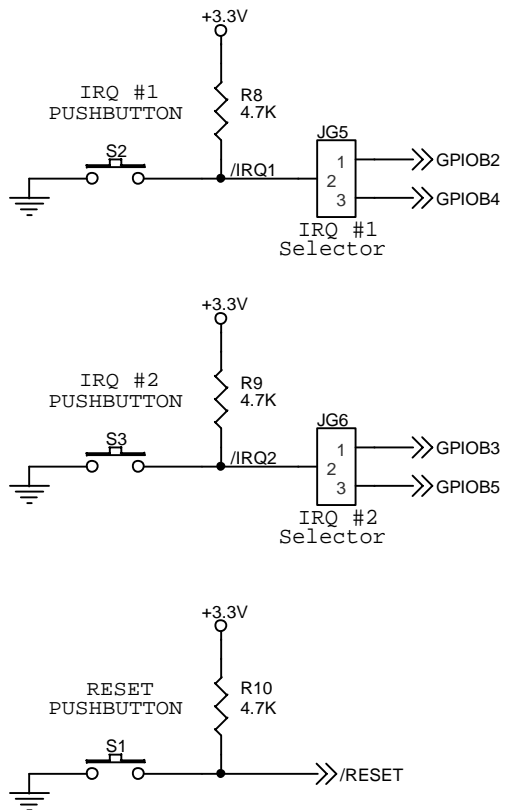
Freescale Semiconductor Confidential Proprietary, NDA Required



Microcontroller Division

6501 William Cannon Drive West
Austin, Texas 78735
(512) 895-7215 FAX: (512) 895-8701

Title		MC56F8037 Processor		Rev. 1.0
Size	Document Number	MC56F8037EVM.DSN		
A	Date:	Monday, March 27, 2006	Designer: MCD Design	Sheet 1 of 7



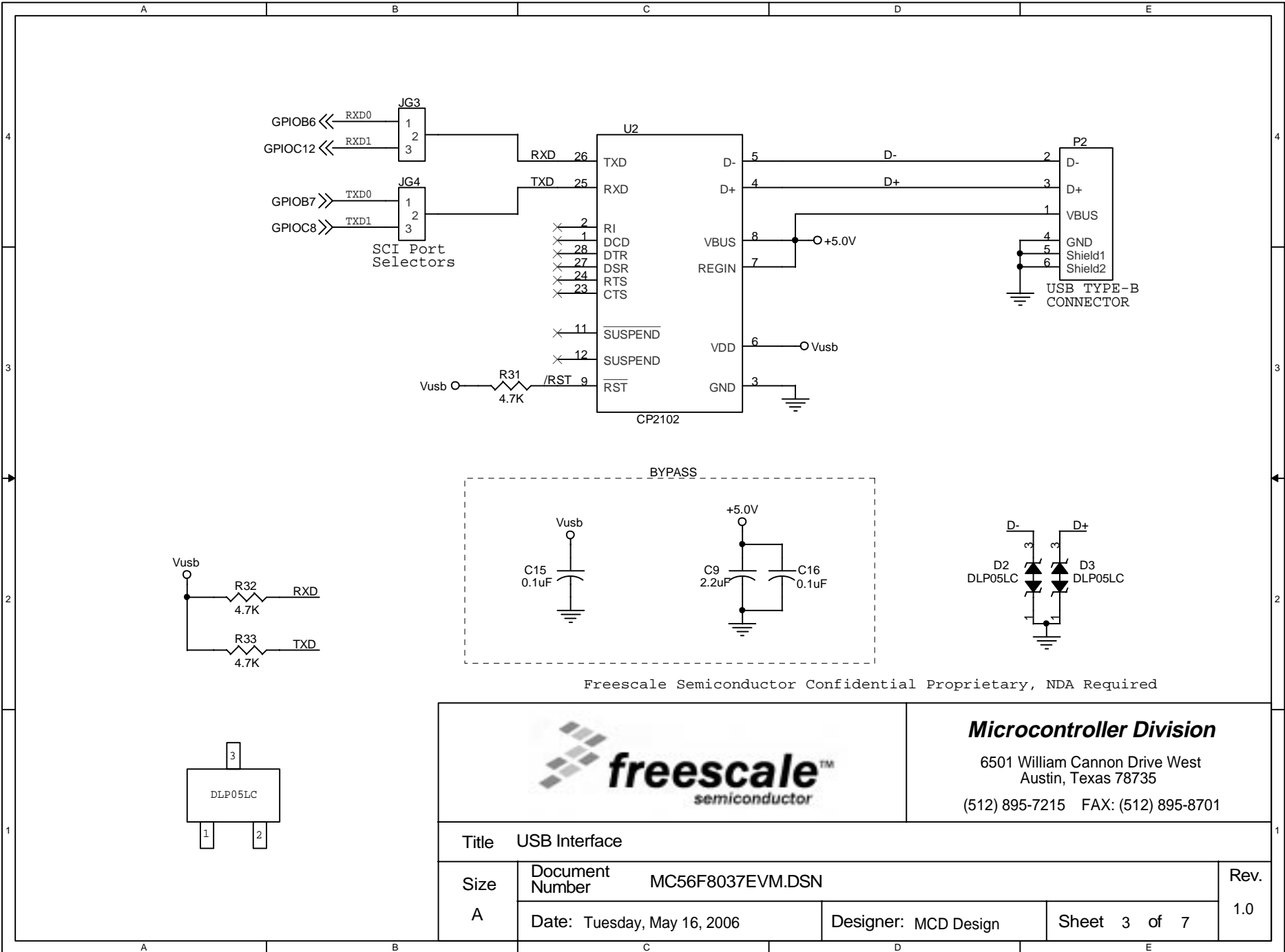
Freescale Semiconductor Confidential Proprietary, NDA Required



Microcontroller Division

6501 William Cannon Drive West
Austin, Texas 78735
(512) 895-7215 FAX: (512) 895-8701

Title		Interrupt and Reset Switches & PWM LEDs		Rev. 1.0
Size	Document Number	MC56F8037EVM.DSN		
A	Date:	Monday, March 27, 2006	Designer: MCD Design	Sheet 2 of 7



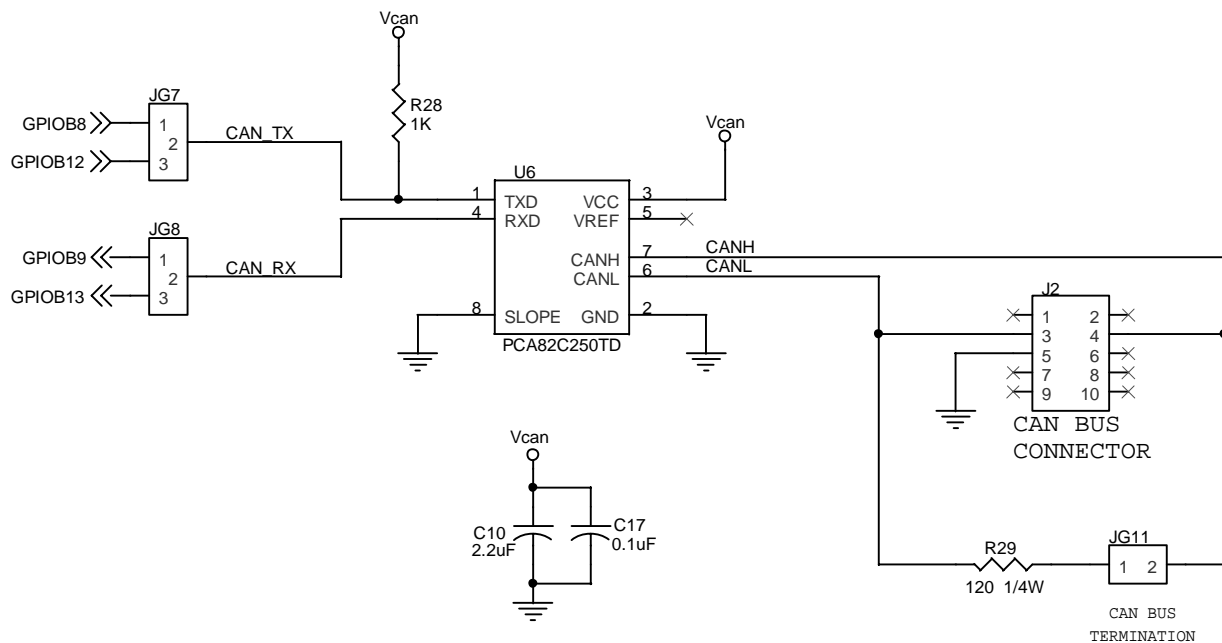
BYPASS

Freescale Semiconductor Confidential Proprietary, NDA Required



Microcontroller Division
6501 William Cannon Drive West
Austin, Texas 78735
(512) 895-7215 FAX: (512) 895-8701

Title USB Interface			Rev. 1.0
Size A	Document Number MC56F8037EVM.DSN	Date: Tuesday, May 16, 2006	
Designer: MCD Design		Sheet 3 of 7	



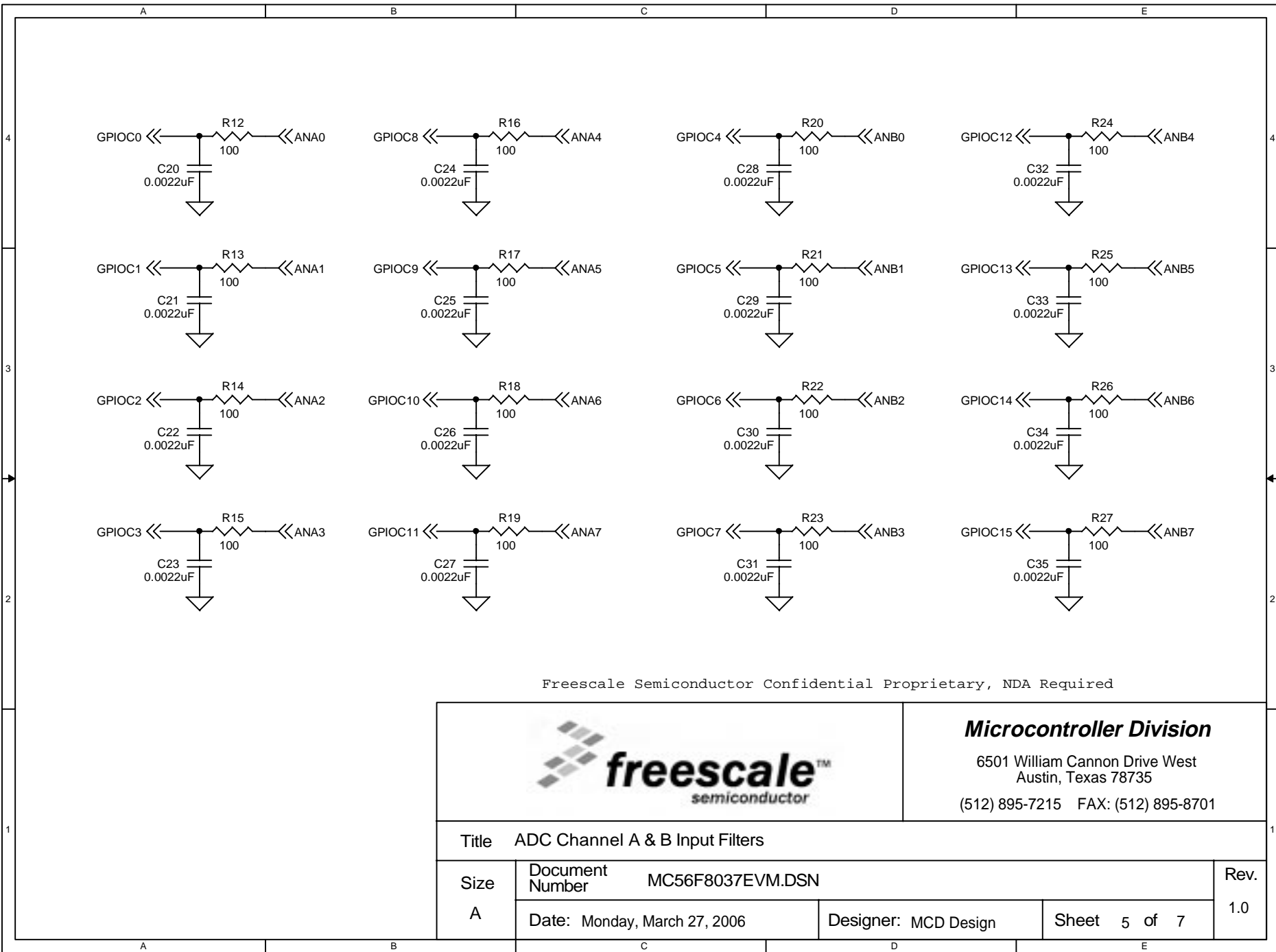
Freescale Semiconductor Confidential Proprietary, NDA Required



Microcontroller Division

6501 William Cannon Drive West
 Austin, Texas 78735
 (512) 895-7215 FAX: (512) 895-8701

Title		CAN Interface and Power Supplies		
Size	Document Number	MC56F8037EVM.DSN		
	Date:	Monday, March 27, 2006	Designer:	MCD Design
A			Sheet	4 of 7
				Rev. 1.0



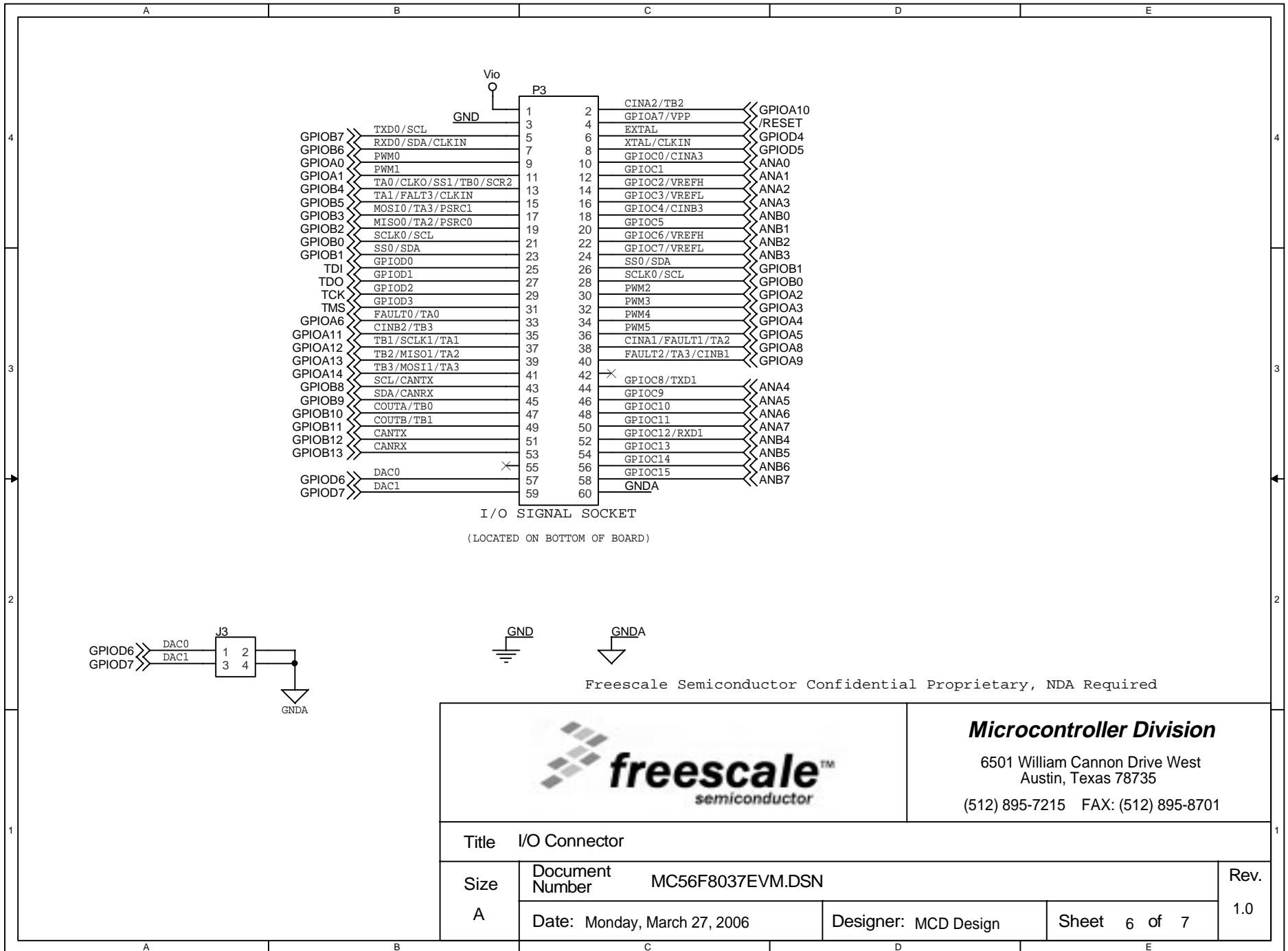
Freescale Semiconductor Confidential Proprietary, NDA Required




Microcontroller Division

6501 William Cannon Drive West
 Austin, Texas 78735
 (512) 895-7215 FAX: (512) 895-8701

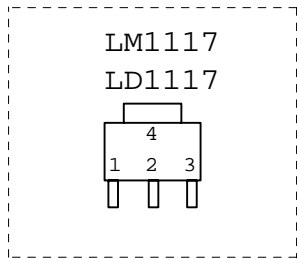
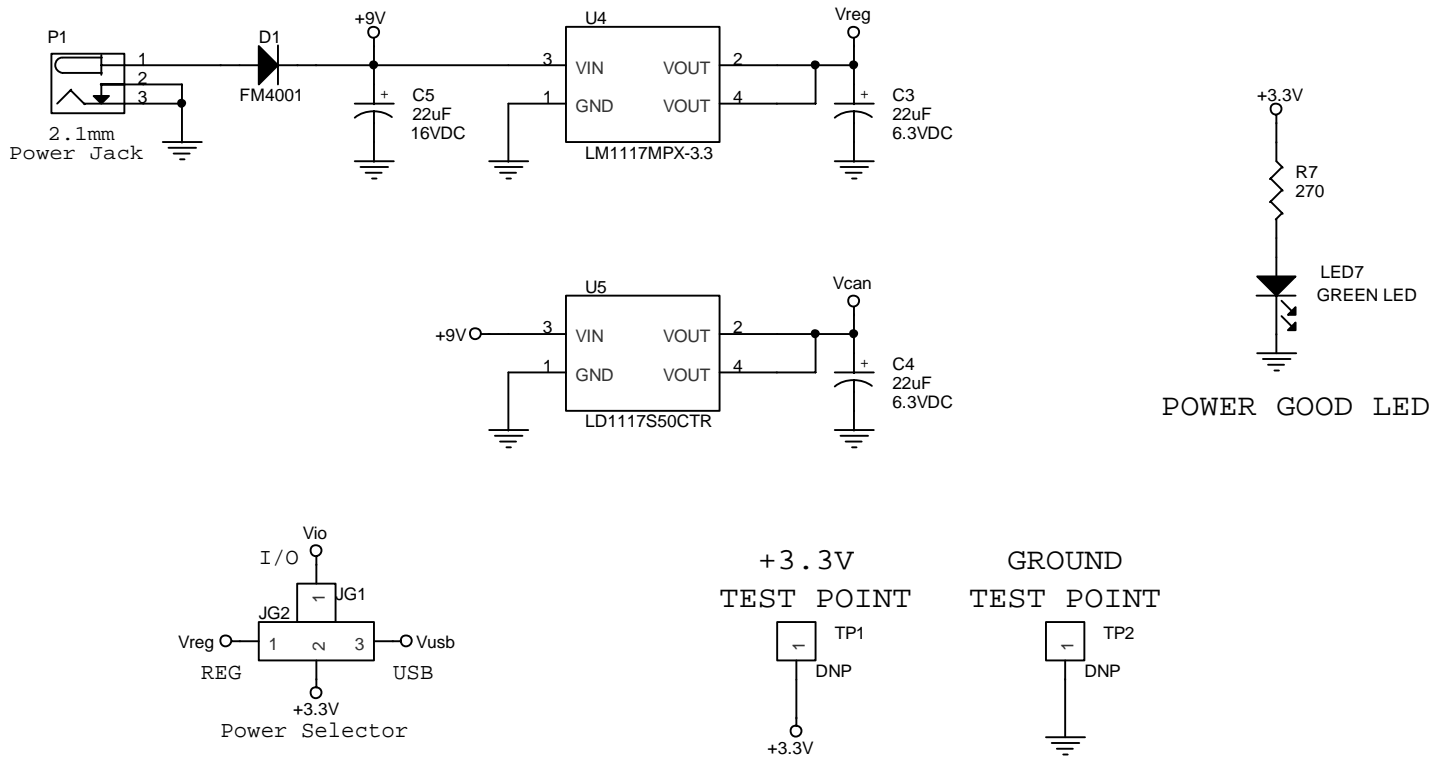
Title		ADC Channel A & B Input Filters	
Size	Document Number	MC56F8037EVM.DSN	
	Date:	Monday, March 27, 2006	Designer: MCD Design
A		Sheet	5 of 7
		Rev.	1.0



		Microcontroller Division 6501 William Cannon Drive West Austin, Texas 78735 (512) 895-7215 FAX: (512) 895-8701	
Title I/O Connector			
Size	Document Number MC56F8037EVM.DSN		Rev.
A	Date: Monday, March 27, 2006	Designer: MCD Design	Sheet 6 of 7 1.0

EXTERNAL POWER

9VDC INPUT



Freescale Semiconductor Confidential Proprietary, NDA Required



Microcontroller Division

6501 William Cannon Drive West
Austin, Texas 78735
(512) 895-7215 FAX: (512) 895-8701

Title		POWER SUPPLY	
Size	Document Number	MC56F8037EVM.DSN	
	Date:	Monday, March 27, 2006	Designer: MCD Design
A		Sheet	7 of 7
		Rev.	1.0