

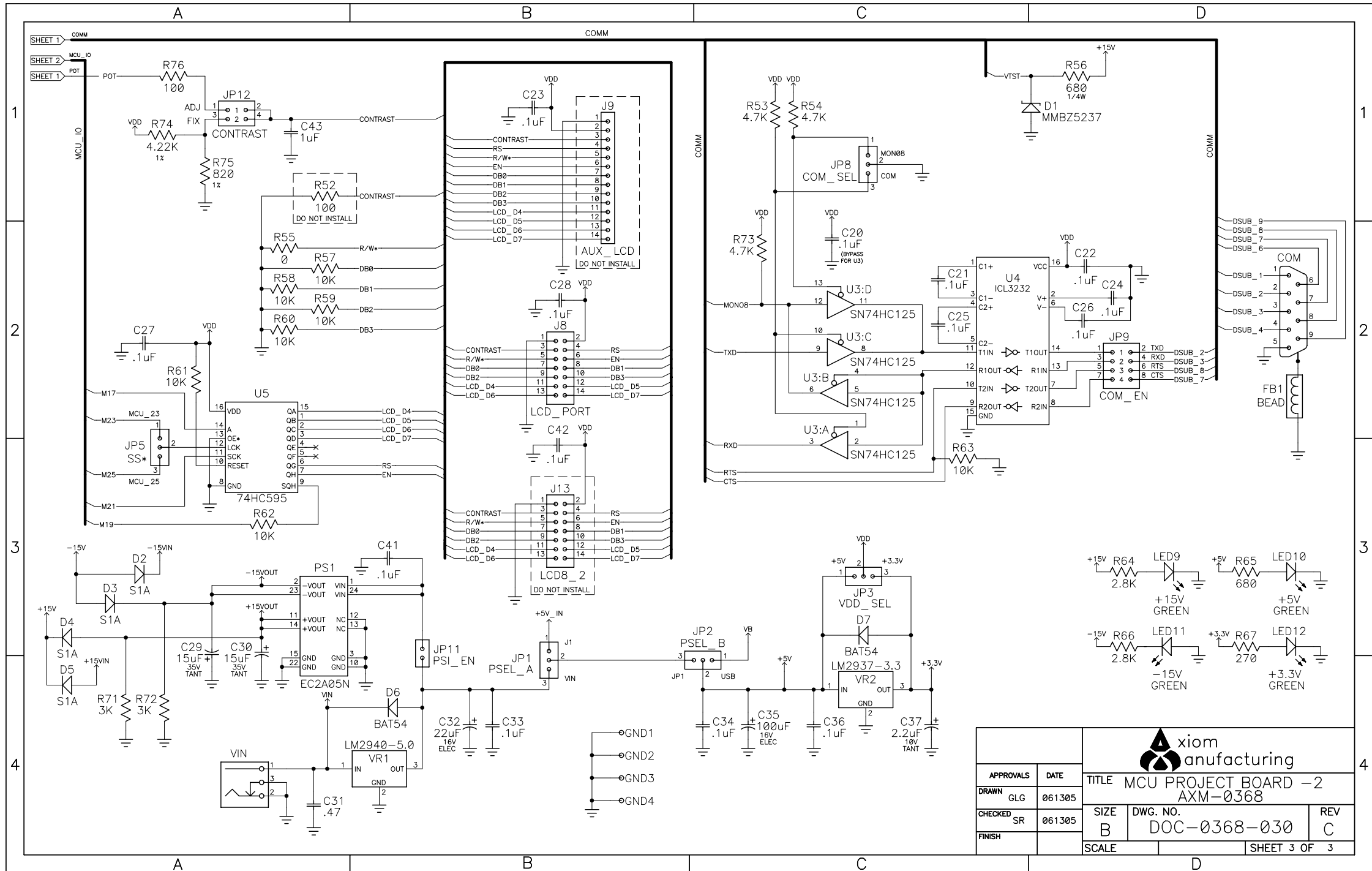
APPROVALS		DATE	TITLE	
DRAWN	GLG	061305	MCU PROJECT BOARD -2	
CHECKED	SR	061305	SIZE	DWG. NO.
FINISH			B	DOC-0368-030
			SCALE	SHEET 2 OF 3



MCU PROJECT BOARD -2  
AXM-0368

SIZE B DWG. NO. DOC-0368-030 REV C

SCALE SHEET 2 OF 3



APPROVALS		DATE	TITLE	
DRAWN	GLG	061305	MCU PROJECT BOARD -2 AXM-0368	
CHECKED	SR	061305	SIZE	DWG. NO.
FINISH			B	DOC-0368-030
SCALE				REV
				C
			SHEET 3 OF	3