
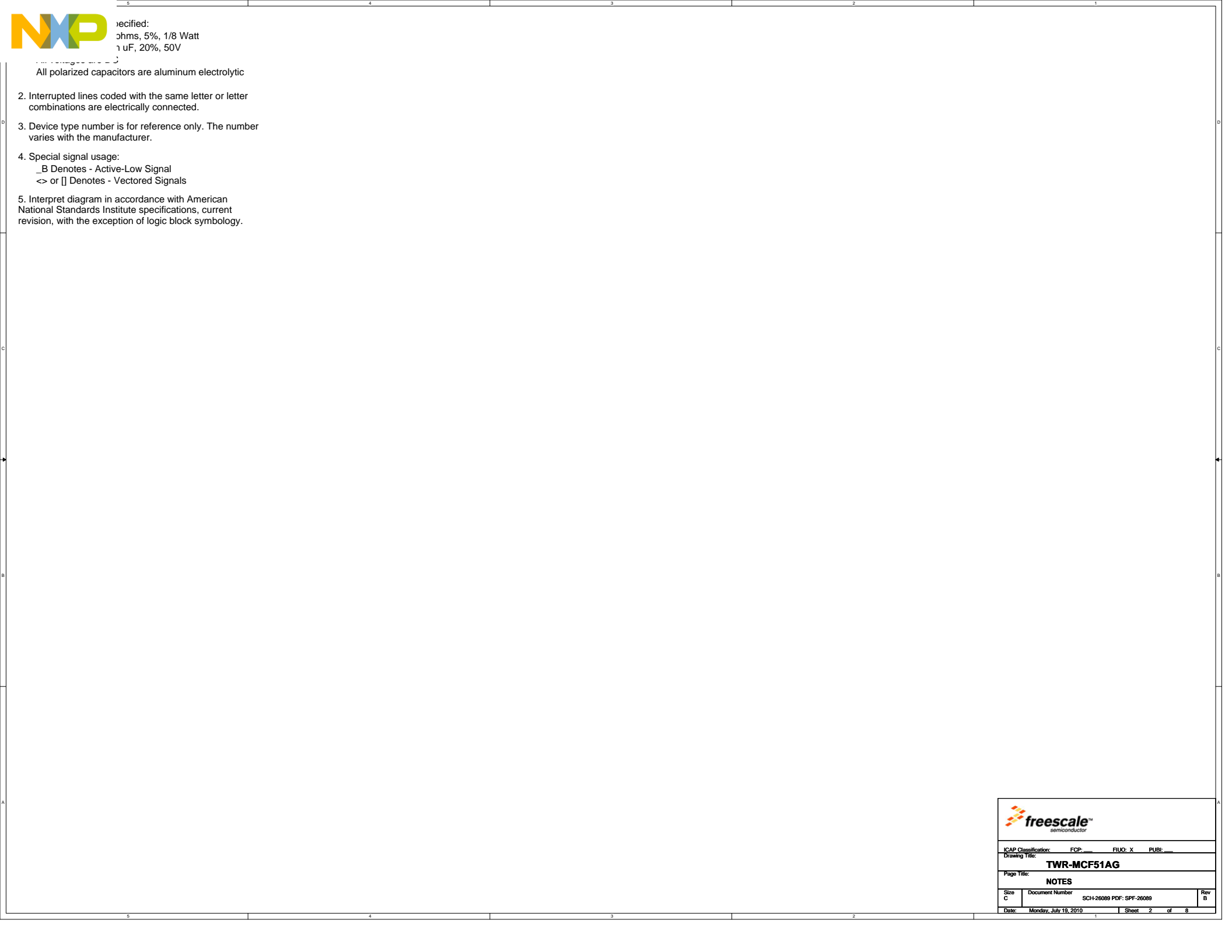


Contents	
5	.28 / MAIN ELEV
6	ACCELEROMETER / TOUCH SENSOR
7	USER LED/PB/DIPSW
8	RS232

Revisions			
Rev	Description	Date	Approved
X1	Initial Draft	06/16/09	LH
X2	Update nets for the MCU to the elevator conn	06/17/09	LH
X3	PTH5 connected to IRQ MPR083 replaced by : MPR084 Additional Buzzer	06/18/09	LH
X4	Add : Test Points, LVDS Diode at Electrodes Replace the slider pad for individual pads	06/19/09	LH
X5	Add : Test Points, LVDS Diode at Electrodes Replace the slider pad for individual pads	06/19/09	LH
X6	Update U1 socket symbol	07/03/09	LH
A	Production Release	07/06/09	LH
A1	MCU Socket DNP Add Serial transceiver Route RX1 TX1	01/06/10	LH
A2	Add headers to select the serial signals to PTE0 /PTE1. Map RSTOUT_B to the PTA7 from the MCU	03/15/10	LH
A3	Fixing the level shifter for T_RXD1. Replacing MPR084 by MPR121, Adding bottom LED for this sensor.	06/22/10	LH
A4	Primary Elevator Pin Reassignment	07/02/10	LH
A5	Replacing part numbers for RS232 transceiver, 47uF, 1000pF and Xtal 4MHz because of availability issues.	07/14/10	LH
B	Production Release	07/20/10	LH

		<b>Microcontroller Solutions Group</b> 6501 William Cannon Drive West Austin, TX 78752-8588	
<small>This document contains information proprietary to Freescale Semiconductor and shall not be used for engineering design, procurement or manufacture in whole or in part without the express written permission of Freescale Semiconductor.</small>			
Designer: Dafné Sánchez		ICAP Classification: FCP:      FIUQ: X    PUBt:	
Drawn by: Dafné Sánchez		<b>TWR-MCF51AG</b>	
<b>TITLE PAGE</b>			
Approved: Liu HaiNing	Size C	Document Number SCH-26089 PDF: SPP-26089	Rev B
Date: Monday, July 19, 2010      Sheet 1 of 8			



pecified:  
 ohms, 5%, 1/8 Watt  
 uF, 20%, 50V

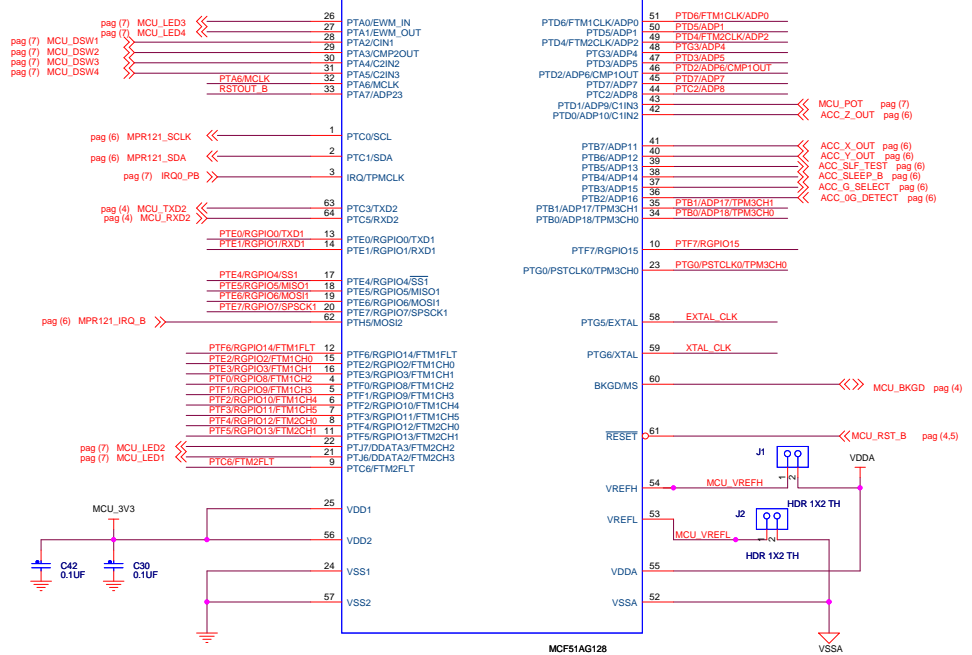
All polarized capacitors are aluminum electrolytic

2. Interrupted lines coded with the same letter or letter combinations are electrically connected.
3. Device type number is for reference only. The number varies with the manufacturer.
4. Special signal usage:  
 \_B Denotes - Active-Low Signal  
 <> or [] Denotes - Vectored Signals
5. Interpret diagram in accordance with American National Standards Institute specifications, current revision, with the exception of logic block symbology.

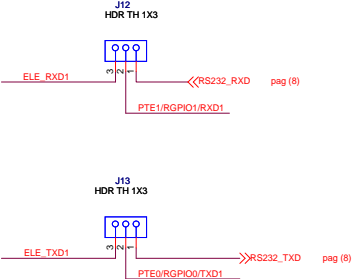
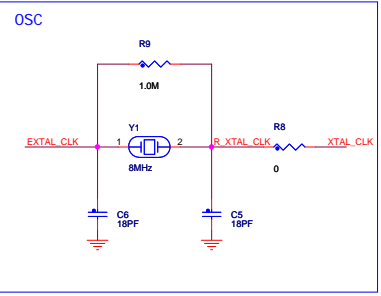
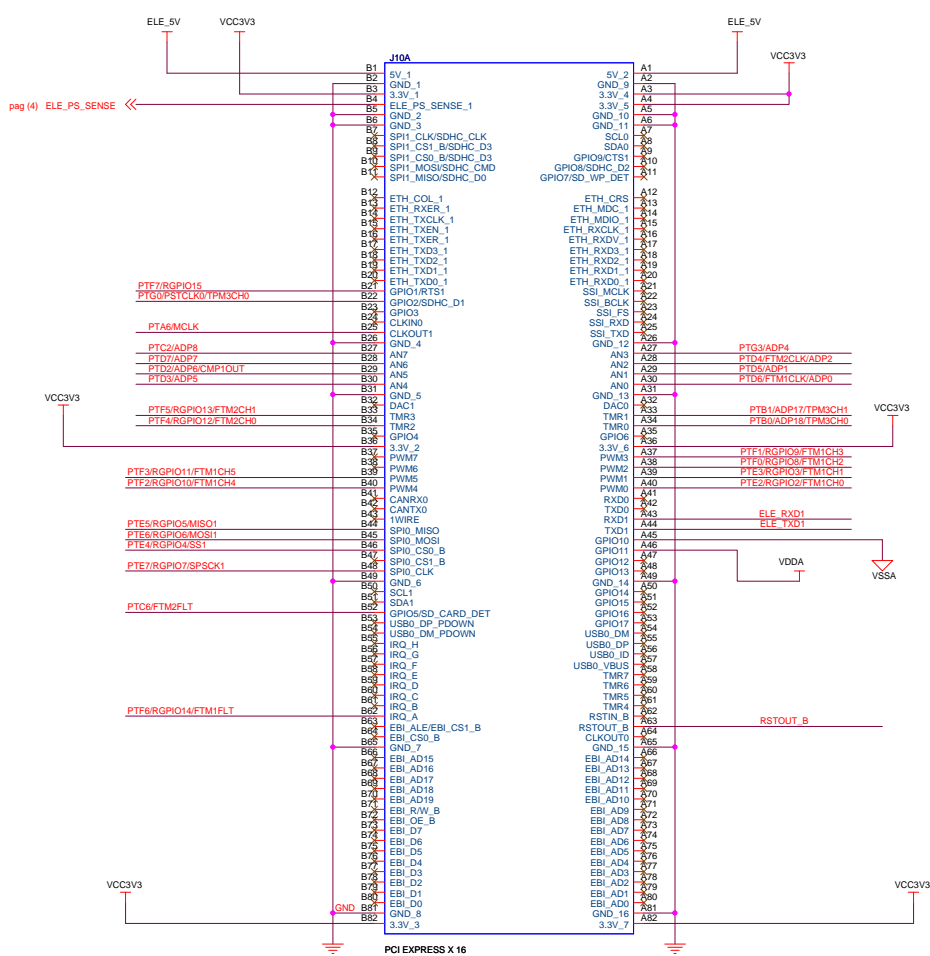
ICAP Classification: FCP: _____ FIUC: X PUBL: _____		
Drawing Title: <b>TWR-MCF51AG</b>		
Page Title: <b>NOTES</b>		
Size C	Document Number SCH-26089 PDF: SPF-26089	Rev B
Date: Monday, July 19, 2010	Sheet 2	of 8



### MCF51AG128 MCU



### MAIN ELEVATOR CONNECTIONS



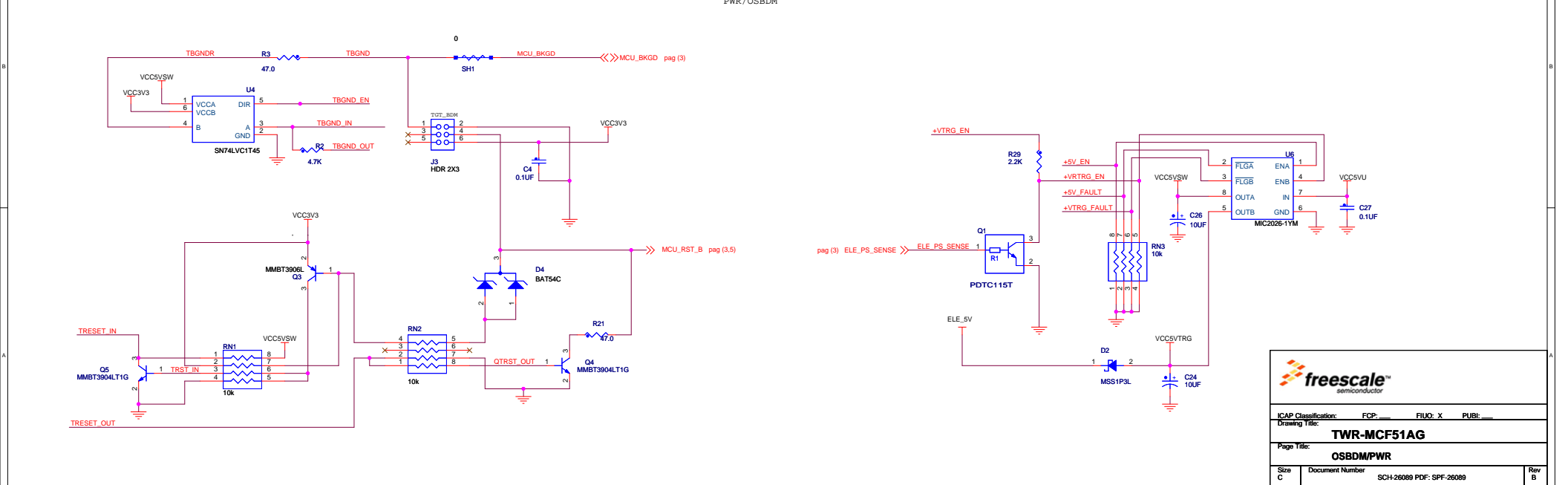
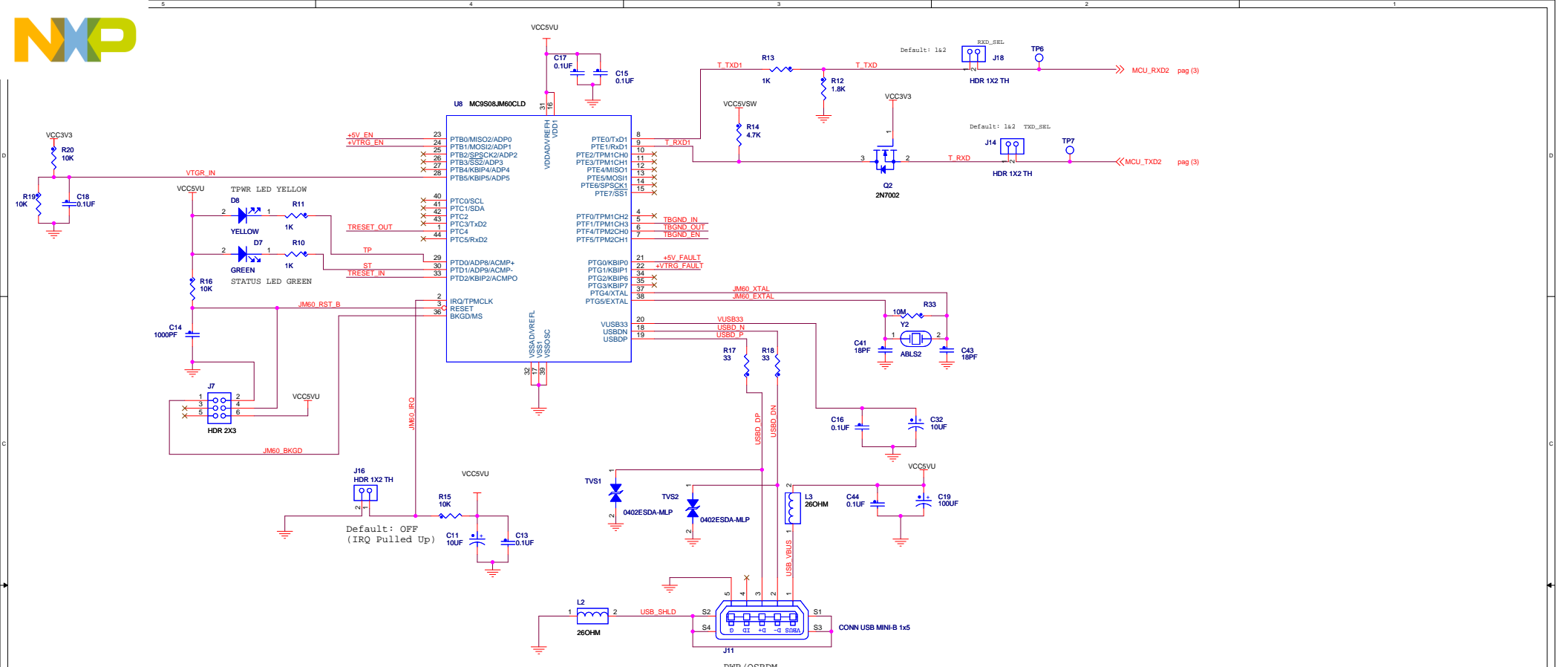
**freescale**  
semiconductor

ICAP Classification: FCP: FIUC: X PUBL: \_\_\_\_\_  
Drawing Title: **TWR-MCF51AG**

Page Title: **MCU MCF51AG128 / MAIN ELEV**

Size C	Document Number SCH-26089 PDF: SPF-26089	Rev B
--------	--	-------

Date: Monday, July 19, 2010 Sheet 3 of 8

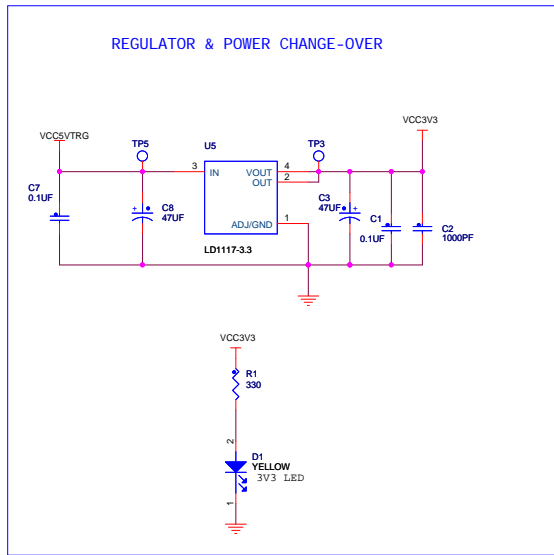


**freescale**  
semiconductor

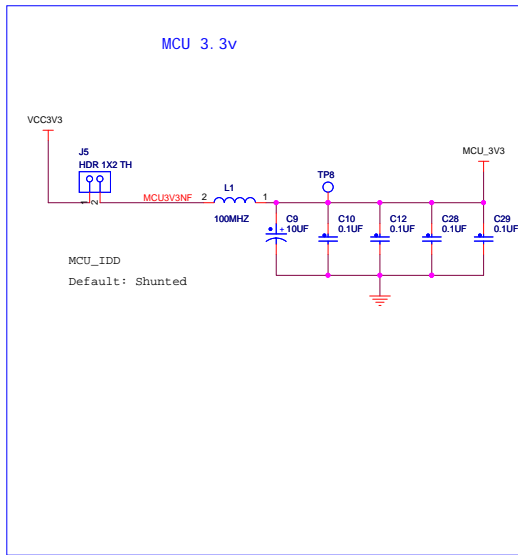
ICAP Classification: FCP: \_\_\_\_\_ FIOC: X PUBL: \_\_\_\_\_  
Drawing Title: **TWR-MCF51AG**

Page Title: **OSBDM/PWR**

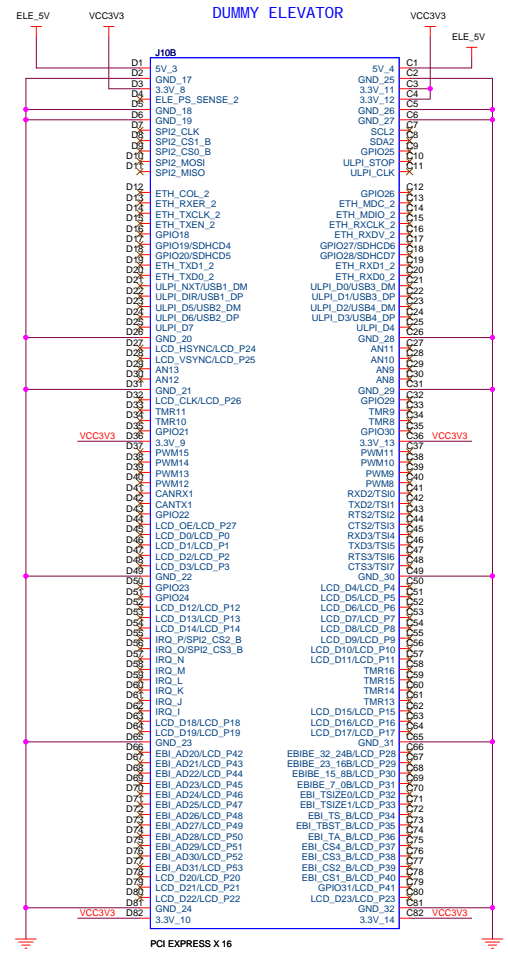
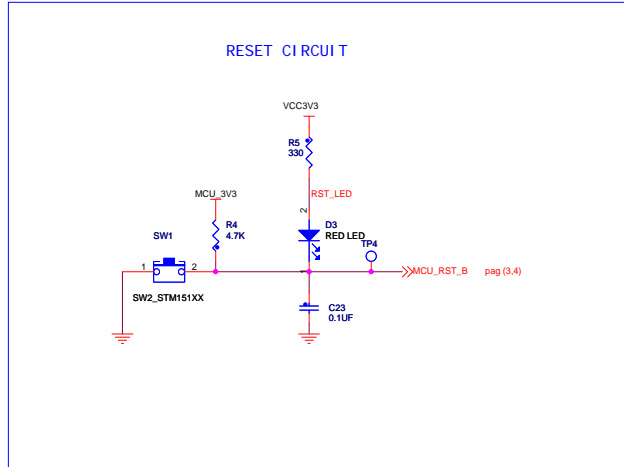
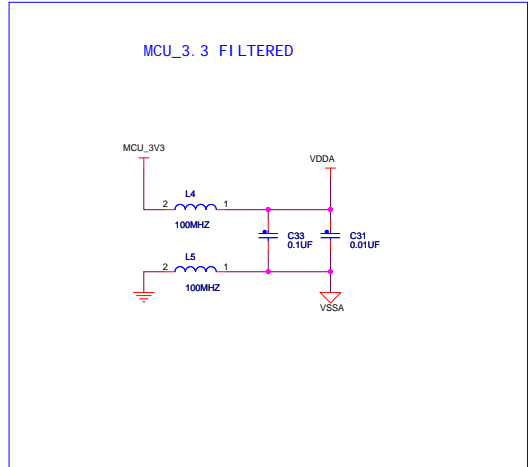
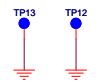
Size C	Document Number SCH-26089 PDF: SPF-26089	Rev B
Date: Monday, July 19, 2010 Sheet 4 of 8		



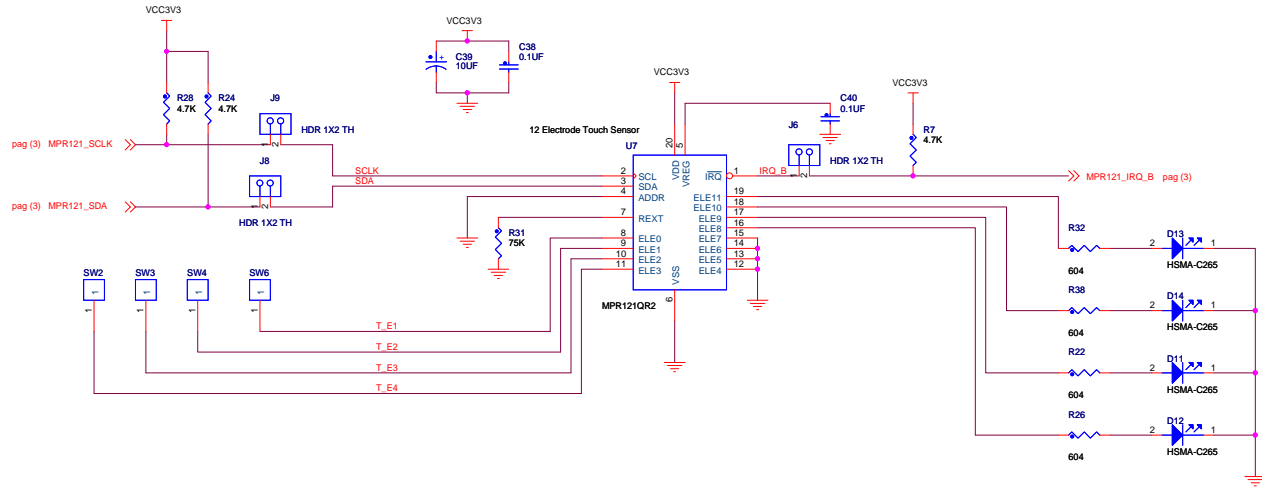
#### VSSA TEST POINTS



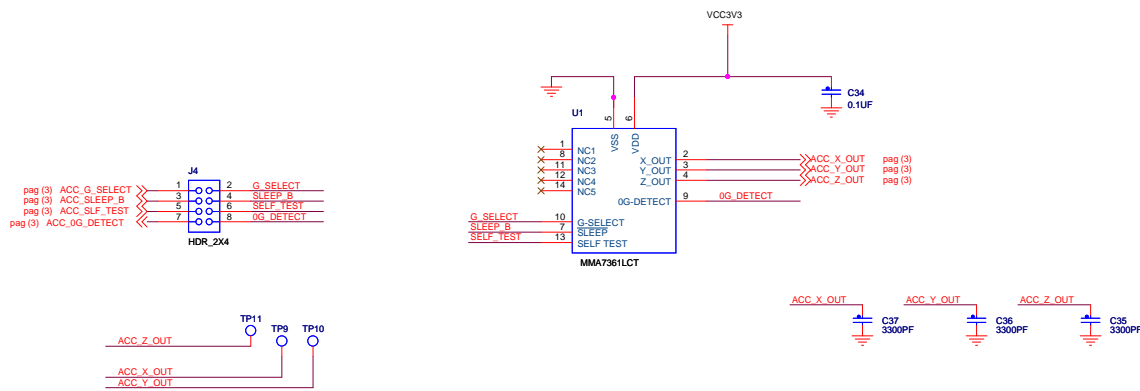
#### GND TEST POINTS



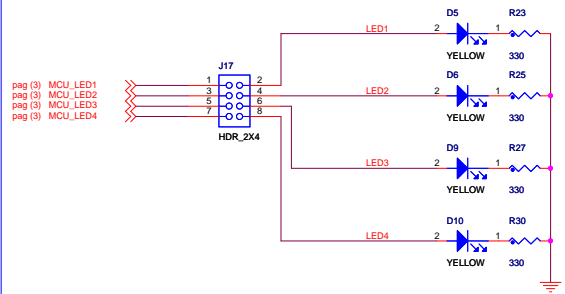
TOUCH SENSOR: MPR121



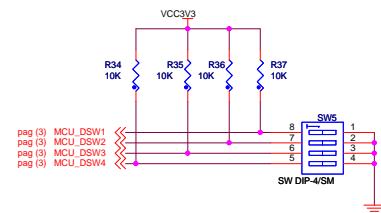
ACCELEROMETER: MMA7361LCT



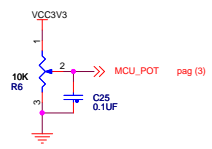
### USER LEDES



### USER DI P SWI TCHES



### USER POTENTI OMETER



### USER PUSH BUTTON

