


**Table of Contents**

1	Title Page
2	PC33926ES SCHEMATIC

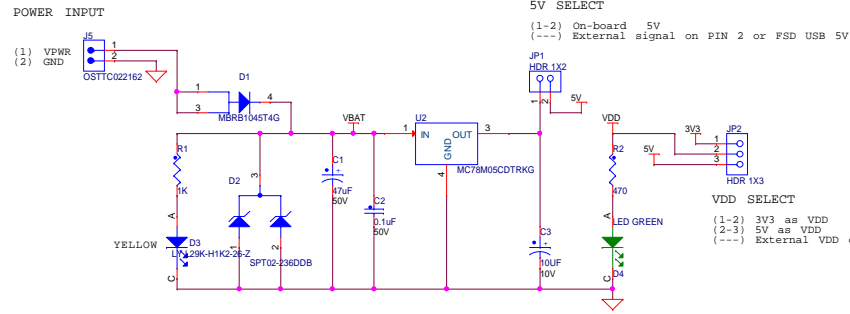
**Revisions**

Rev	Description	Date	Approved
A	A085 (Final schematic & BoM), Prototype Release	10 Apr 17	Wayne A
A1	Replace obsolete part R4 (470-77932) with 470-81699	13 Sep 17	

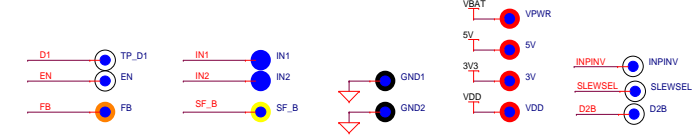
# X-FRDM-33926ESEVM

		<b>Analog Sensor Product Group</b> 6501 William Cannon Drive West Austin, TX 78735-9598	
<small>This document contains information proprietary to NXP and shall not be used for engineering design, procurement or manufacture in whole or in part without the express written permission of NXP Semiconductors.</small>			
ICAP Classification: CP: _____ IUO: X PUIB: _____			
Designer: Wayne Anderson	Drawing Title: <b>X-FRDM-33926ESEVM</b>		
Drawn by: Wayne Anderson	Page Title: <b>Title Page, TOC, Rev. History</b>		
Approved: Wayne Anderson	Size C	Document Number SCH-29799 PDF: SPF-29799	Rev A1
Date: <b>Wednesday, September 13, 2017</b>		Sheet <b>1</b> of <b>2</b>	

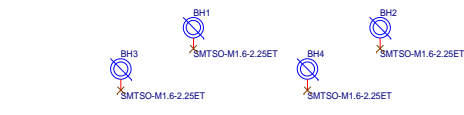
# POWER SUPPLY REGULATOR



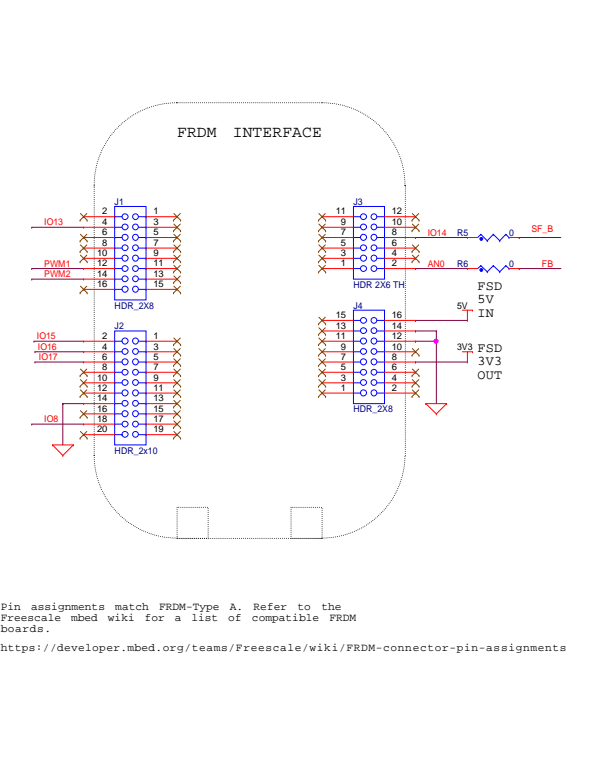
# TEST POINTS



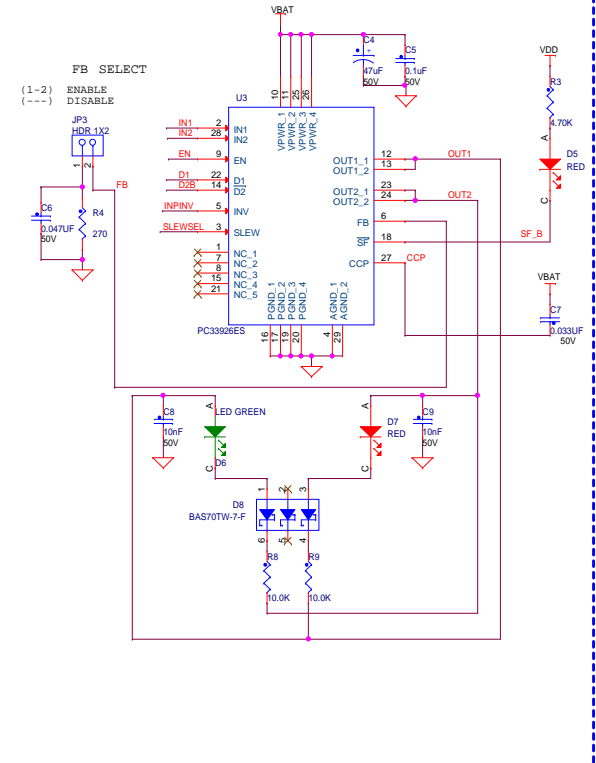
# MOUNTING HOLES



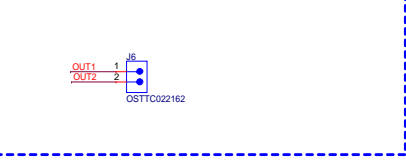
# MCU



# MC33926ES



# CONNECTORS / OUTPUT



# JUMPERS

